

US00D571007S

(12) **United States Design Patent**  
**Rehbein et al.**

(10) **Patent No.:** **US D571,007 S**  
(45) **Date of Patent:** **\*\* Jun. 10, 2008**

(54) **MEDICAL INSTRUMENT**

(75) Inventors: **Stefan Rehbein**,  
Immendingen-Hattingen (DE); **Frank Doll**,  
Talheim (DE)

(73) Assignee: **Karl Storz GmbH & Co. KG** (DE)

(\*\*) Term: **14 Years**

(21) Appl. No.: **29/259,191**

(22) Filed: **May 3, 2006**

(30) **Foreign Application Priority Data**

Nov. 7, 2005 (EM) ..... 000428669

(51) **LOC (8) Cl.** ..... **24-02**

(52) **U.S. Cl.** ..... **D24/133; D24/112; D24/129;**  
**D24/137; D24/147**

(58) **Field of Classification Search** ..... D24/107,  
D24/108, 111, 129, 133, 137, 138, 143, 147,  
D24/145, 146, 149; 600/101, 104, 105, 112-114,  
600/119, 120-123, 128, 131, 132, 135, 136,  
600/138, 153, 154, 156, 157, 158, 162; 604/523;  
606/46, 49, 170, 180, 41; 285/316; 128/898  
See application file for complete search history.

(56) **References Cited**

**U.S. PATENT DOCUMENTS**

2,691,370 A \* 10/1954 Wallace ..... 600/104  
3,144,020 A \* 8/1964 Zingale ..... 600/119  
3,850,162 A \* 11/1974 Iglesias ..... 600/105  
5,445,168 A \* 8/1995 Krebs ..... 128/898  
D367,324 S \* 2/1996 McCarthy et al. .... D24/112  
5,807,240 A \* 9/1998 Muller et al. .... 600/135  
5,925,040 A \* 7/1999 Nardella et al. .... 606/41

6,918,909 B2 \* 7/2005 Ohyama et al. .... 606/46  
D536,787 S \* 2/2007 Rehbein et al. .... D24/133  
D536,790 S \* 2/2007 Michel et al. .... D24/137

**OTHER PUBLICATIONS**

Resectoscope Sheath No. 27040 SM of Karl Storz Advertising Literature—Storz, The World of Endoscopy, Urology, 7th Edition Jan. 2003.\*

Karl Storz Advertising Literature—Storz The World of Endoscopy, Gynecology, 4th Edition Jan. 2003.

Karl Storz Advertising Literature—Storz The World of Endoscopy, Urology, 7th Edition Jan. 2003.

\* cited by examiner

*Primary Examiner*—Ian Simmons

*Assistant Examiner*—Carissa C Fitts

(74) *Attorney, Agent, or Firm*—St. Onge Steward Johnston & Reens LLC

(57) **CLAIM**

The ornamental design for a medical instrument, as shown and described in the drawings.

**DESCRIPTION**

FIG. 1 is a front perspective view of a medical instrument in accordance with the new design;

FIG. 2 is a front view thereof;

FIG. 3 is a rear view thereof;

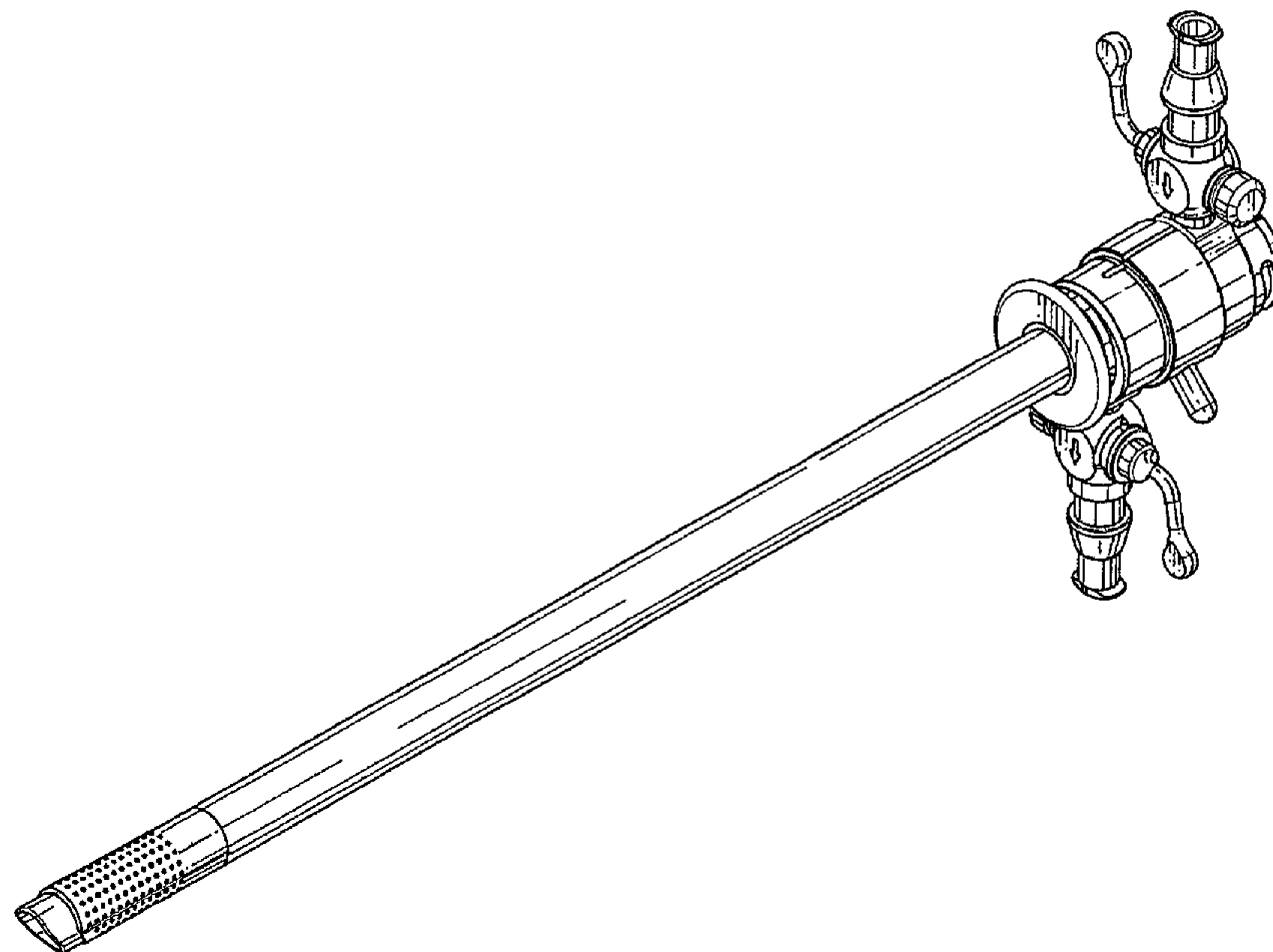
FIG. 4 is a top view thereof;

FIG. 5 is a bottom view thereof;

FIG. 6 is a right side view thereof; and,

FIG. 7 is a left side view thereof.

**1 Claim, 7 Drawing Sheets**



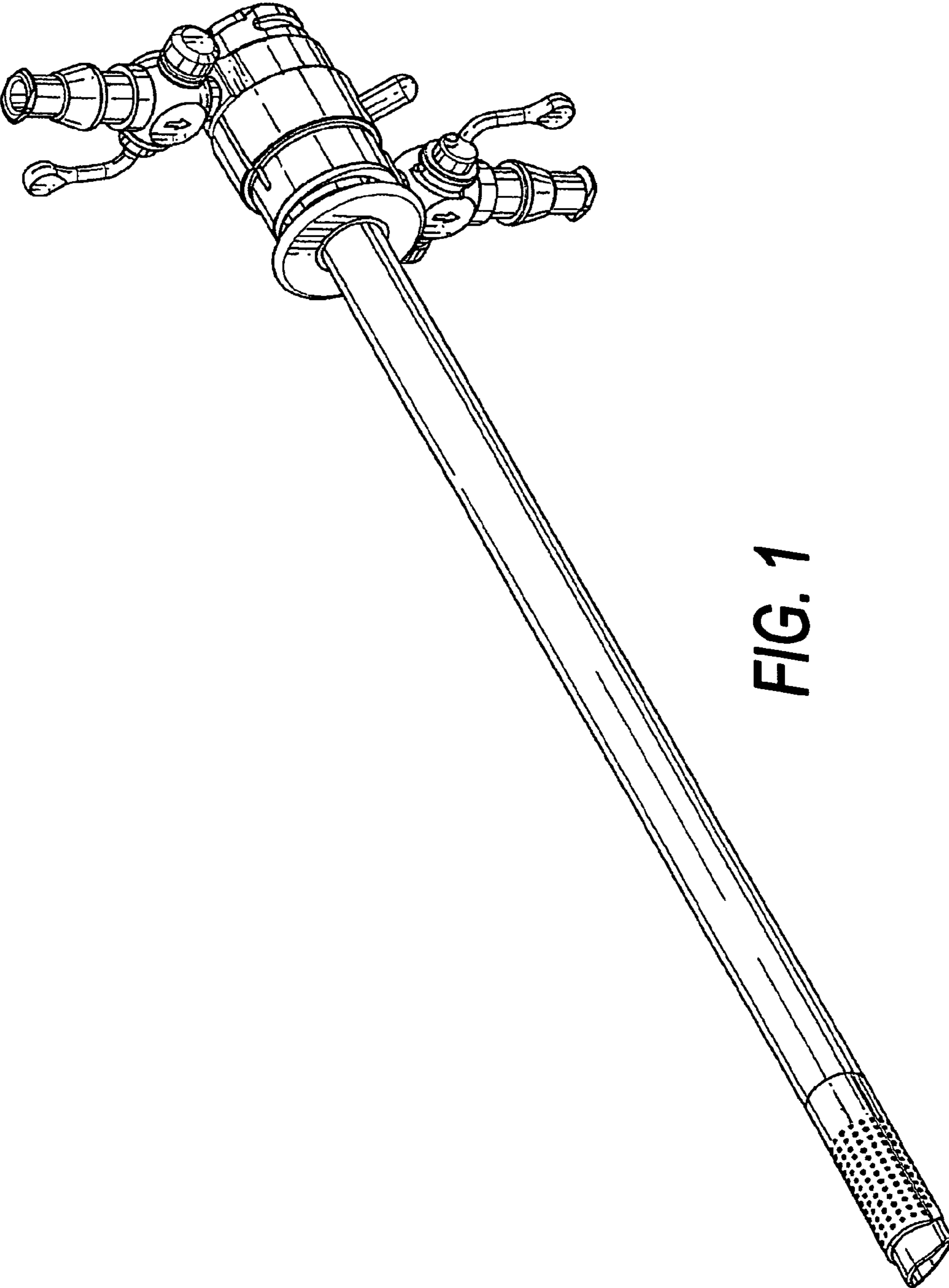


FIG. 1

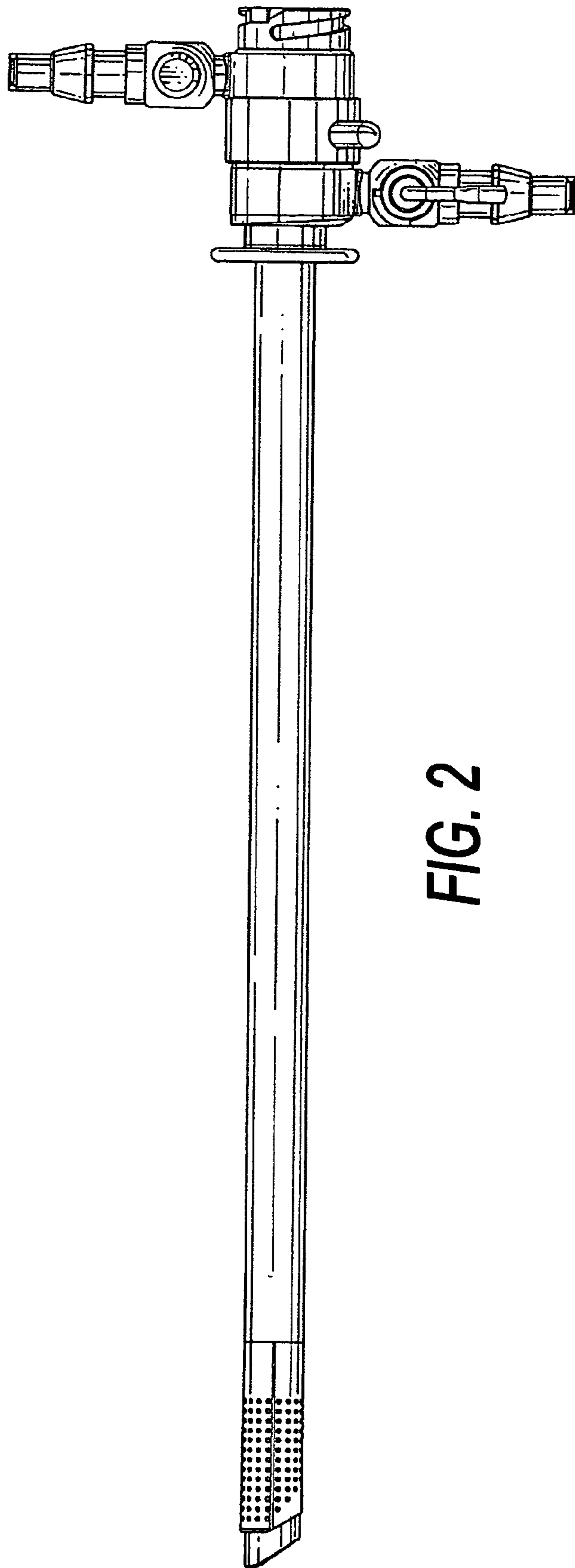


FIG. 2

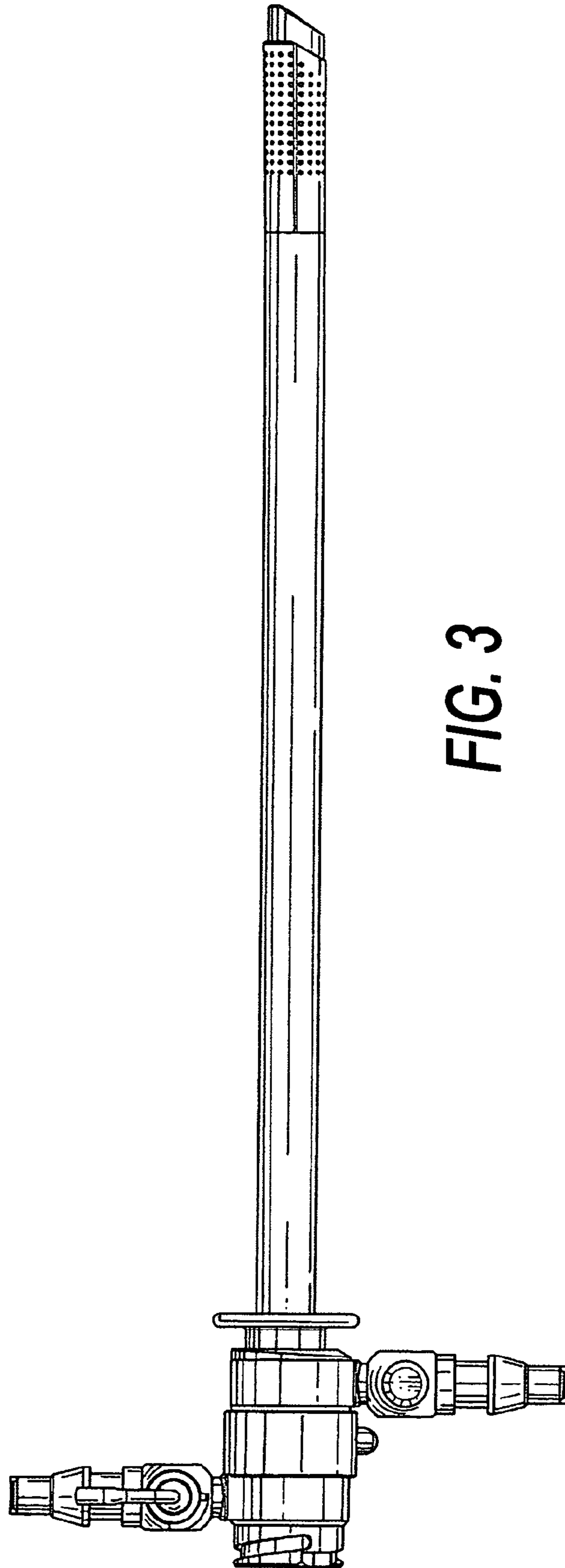
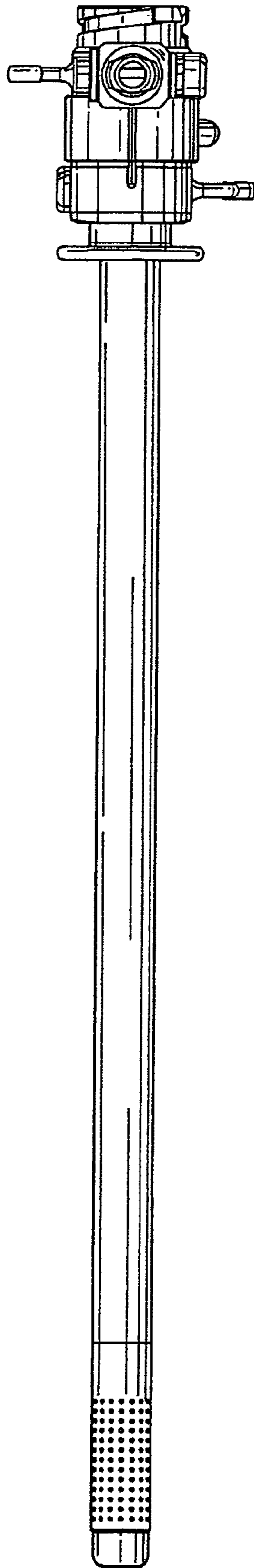


FIG. 3



**FIG. 4**

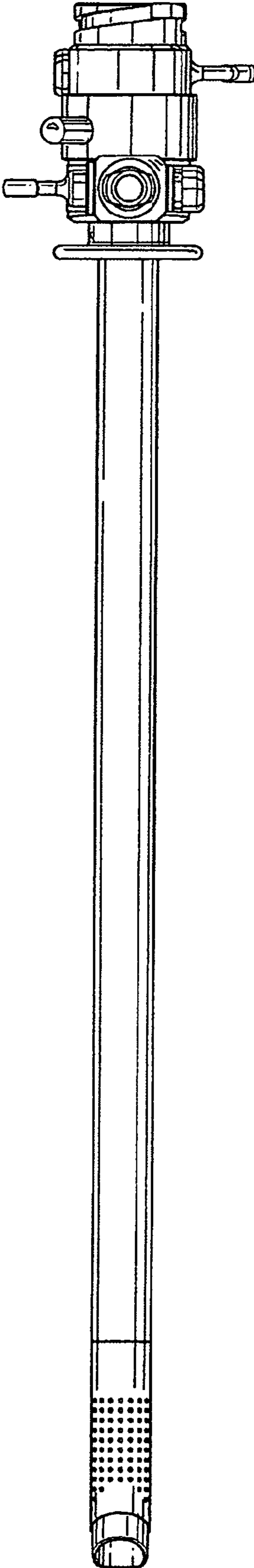
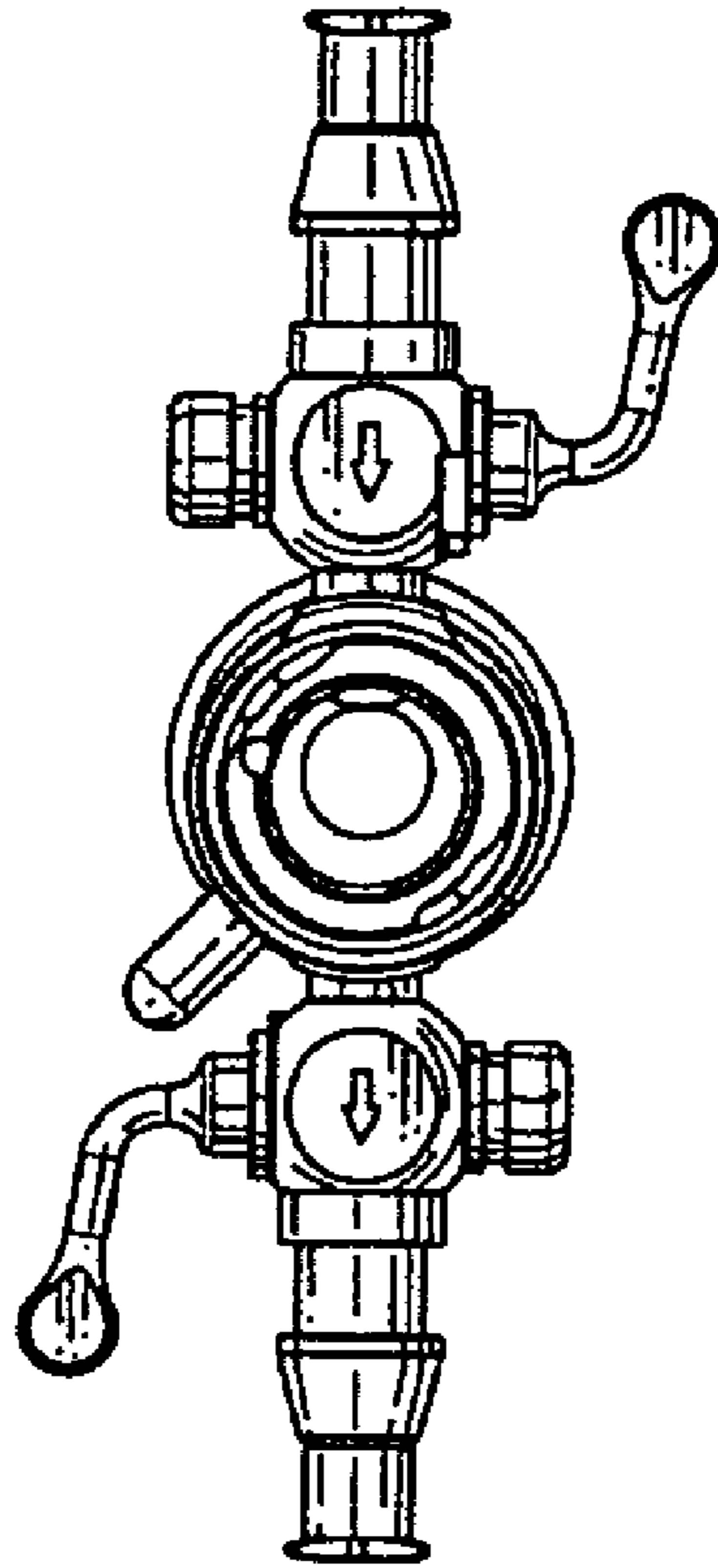
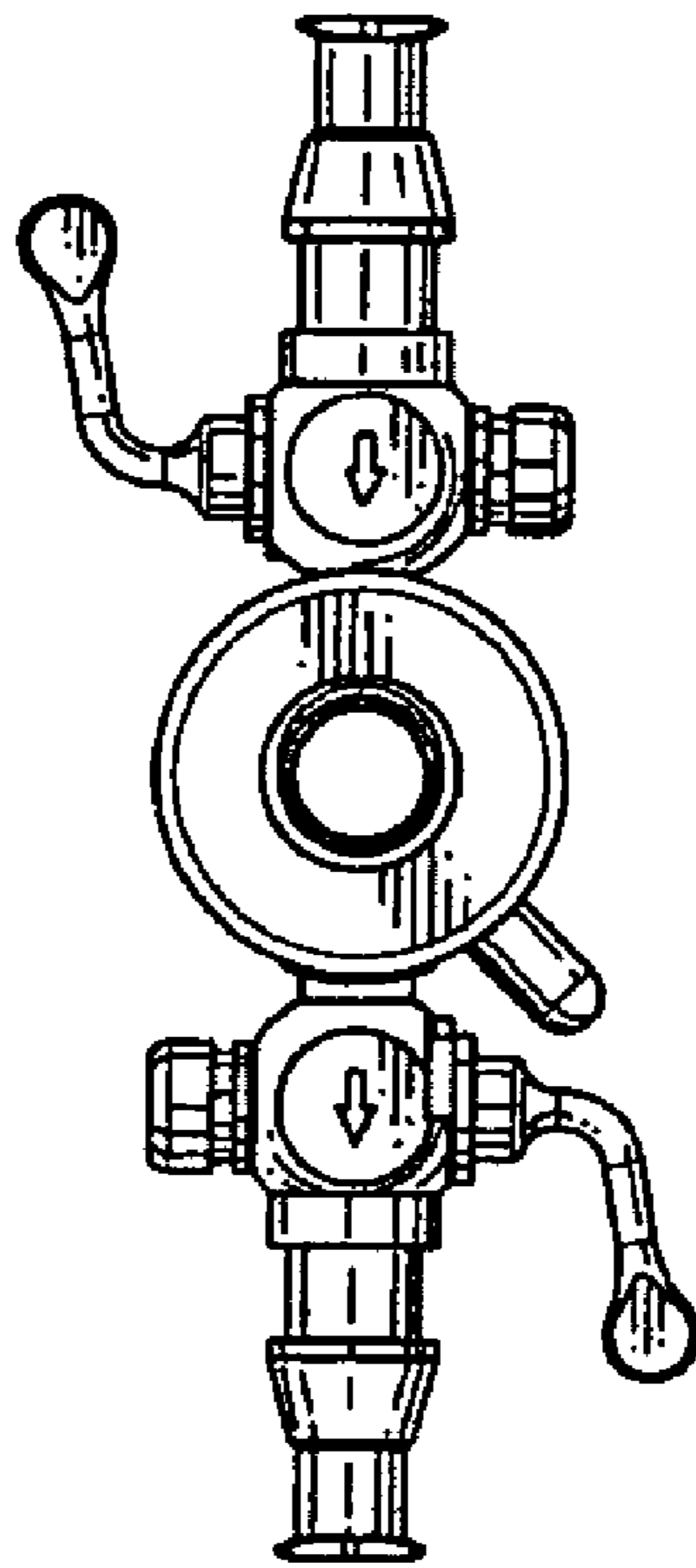


FIG. 5



**FIG. 6**



**FIG. 7**