



US00D571002S

(12) **United States Design Patent**  
**Starnes**

(10) **Patent No.:** **US D571,002 S**  
(45) **Date of Patent:** **\*\* \*Jun. 10, 2008**

(54) **MEDICAL VIAL**

(76) Inventor: **Charles D. Starnes**, 6820 NW. 103rd Ter., Parkland, FL (US) 33076

(\*) Notice: This patent is subject to a terminal disclaimer.

(\*\*) Term: **14 Years**

(21) Appl. No.: **29/243,278**

(22) Filed: **Nov. 22, 2005**

(51) **LOC (8) Cl.** ..... **24-02**

(52) **U.S. Cl.** ..... **D24/115**

(58) **Field of Classification Search** ..... D24/115, D24/117; D9/695-696, 442; 206/528, 530, 206/532, 820; 222/153.06, 153.07, 456, 206, 222/213, 215, 107, 143, 92, 94, 97, 129; 53/467, 477; 264/525

See application file for complete search history.

(56) **References Cited**

**U.S. PATENT DOCUMENTS**

3,913,734 A	10/1975	Siegel	
3,917,120 A *	11/1975	Larenz et al.	222/129
3,993,223 A	11/1976	Welker, III et al.	
D255,492 S	6/1980	Meierhoefer	
4,502,616 A *	3/1985	Meierhoefer	222/215
4,512,475 A	4/1985	Federighi	
D282,348 S	1/1986	Federighi	
D296,869 S *	7/1988	Bauwens	D9/696
4,790,453 A	12/1988	Fontana et al.	

4,951,822 A	8/1990	Fontana et al.	
5,409,125 A	4/1995	Kimber et al.	
6,101,791 A	8/2000	Louviere	
6,234,333 B1	5/2001	Federighi et al.	
6,241,124 B1	6/2001	Hoyt	
6,254,376 B1	7/2001	Louviere	
6,336,489 B1	1/2002	McGahhey	
D460,175 S	7/2002	Louviere	
D471,628 S *	3/2003	Louviere	..... D24/115
6,572,359 B2	6/2003	Louviere	
6,735,926 B1	5/2004	Louviere	

**OTHER PUBLICATIONS**

Declaration of Charles D. Starnes and attached drawings.

\* cited by examiner

*Primary Examiner*—Louis S. Zarfes

*Assistant Examiner*—David G. Muller

(74) *Attorney, Agent, or Firm*—Richard S. Vermut; Rogers Towers, P.A.

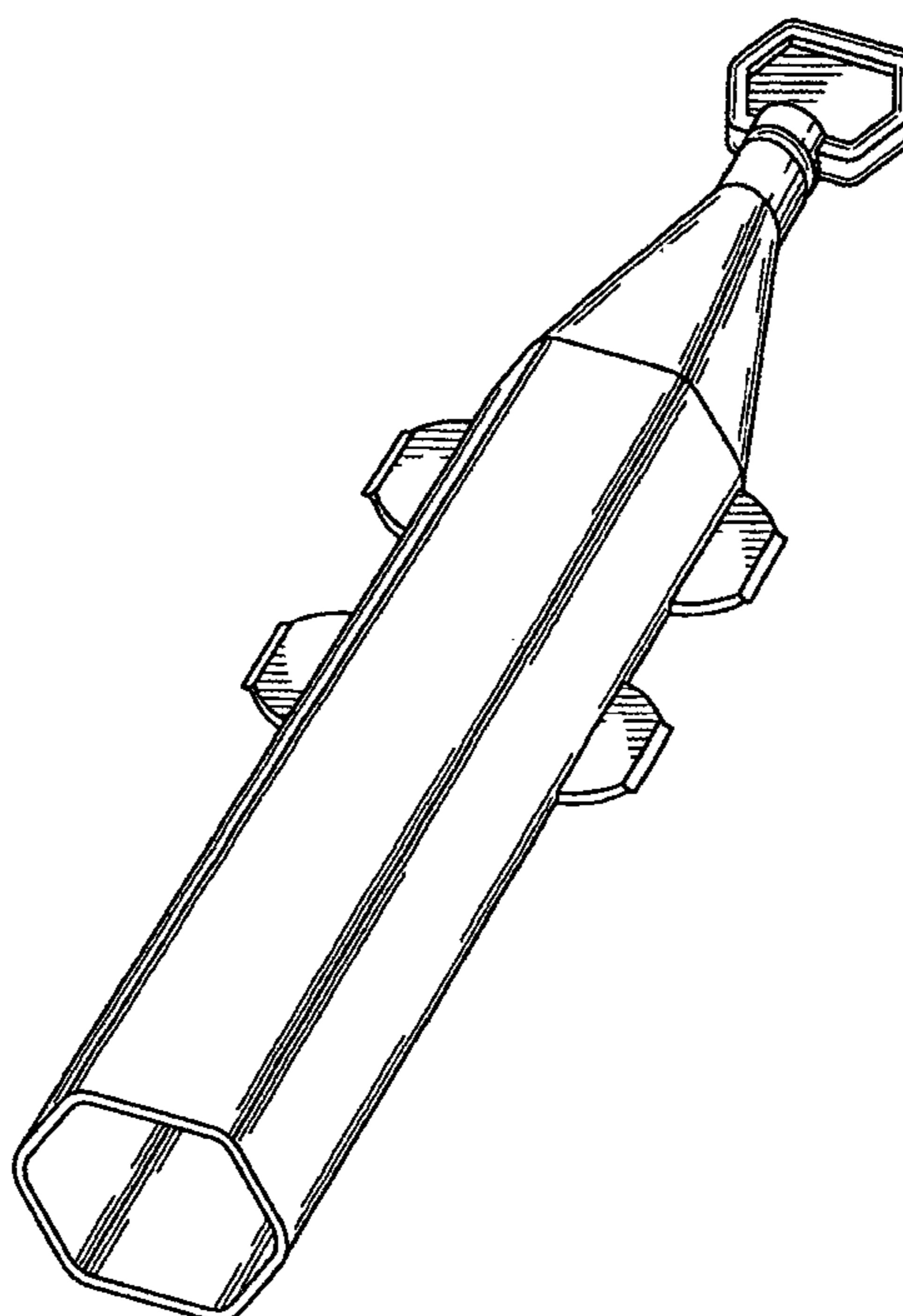
(57) **CLAIM**

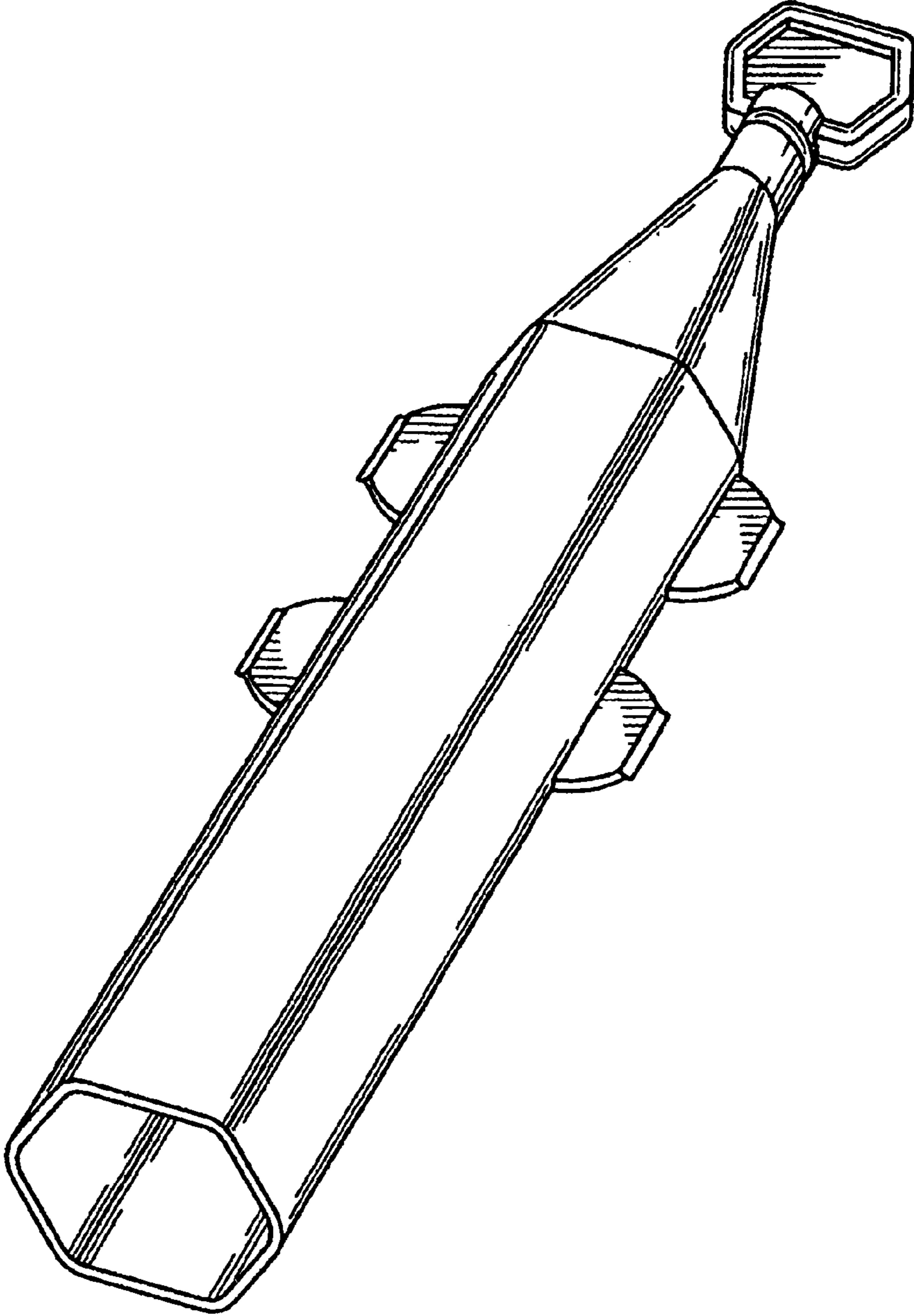
I claim the ornamental design for a medical vial, as shown and described.

**DESCRIPTION**

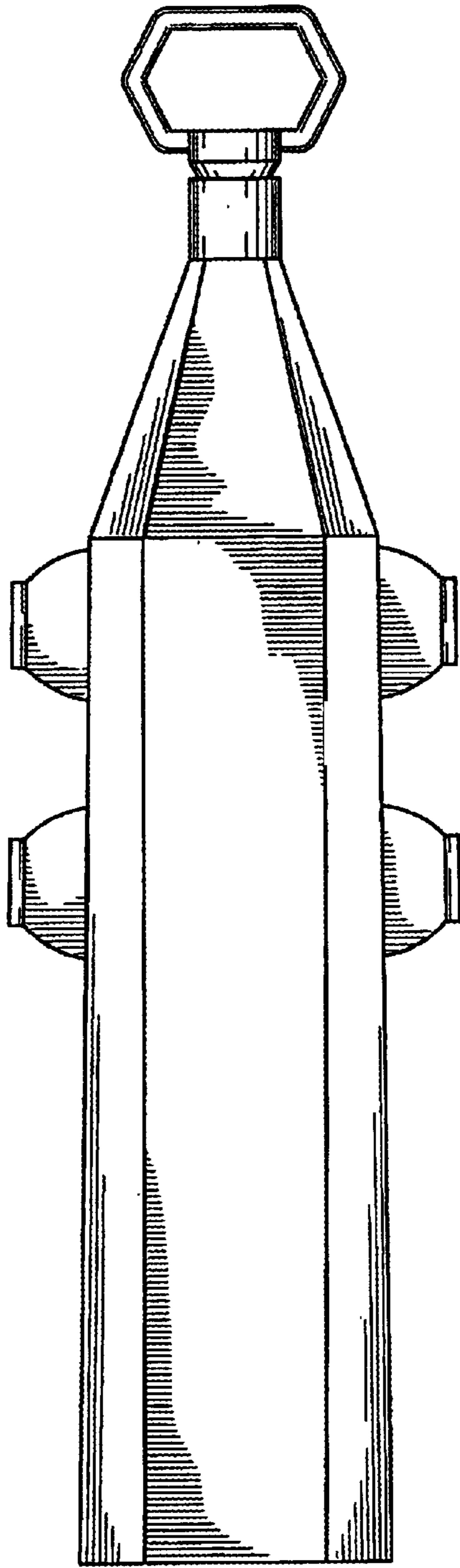
FIG. 1 is a front perspective view of the medical vial of the present invention; FIG. 2 is a front elevation view thereof; FIG. 3 is a side elevation view thereof; FIG. 4 is a top plan view thereof; and, FIG. 5 is a bottom plan view thereof.

**1 Claim, 4 Drawing Sheets**

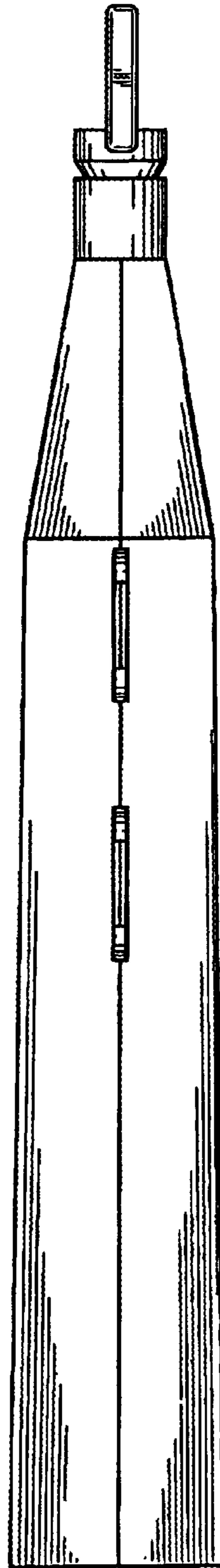




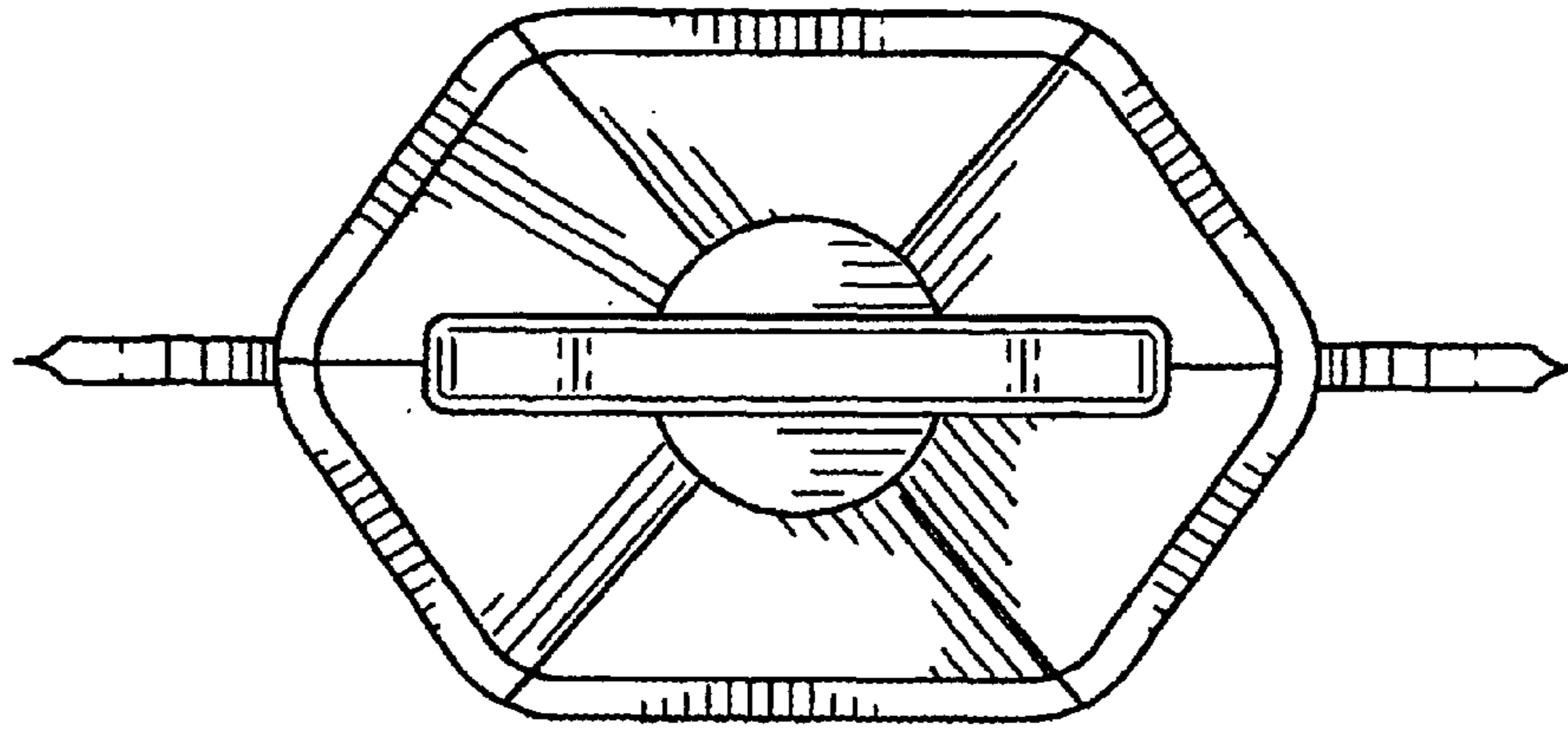
*Fig. 1*



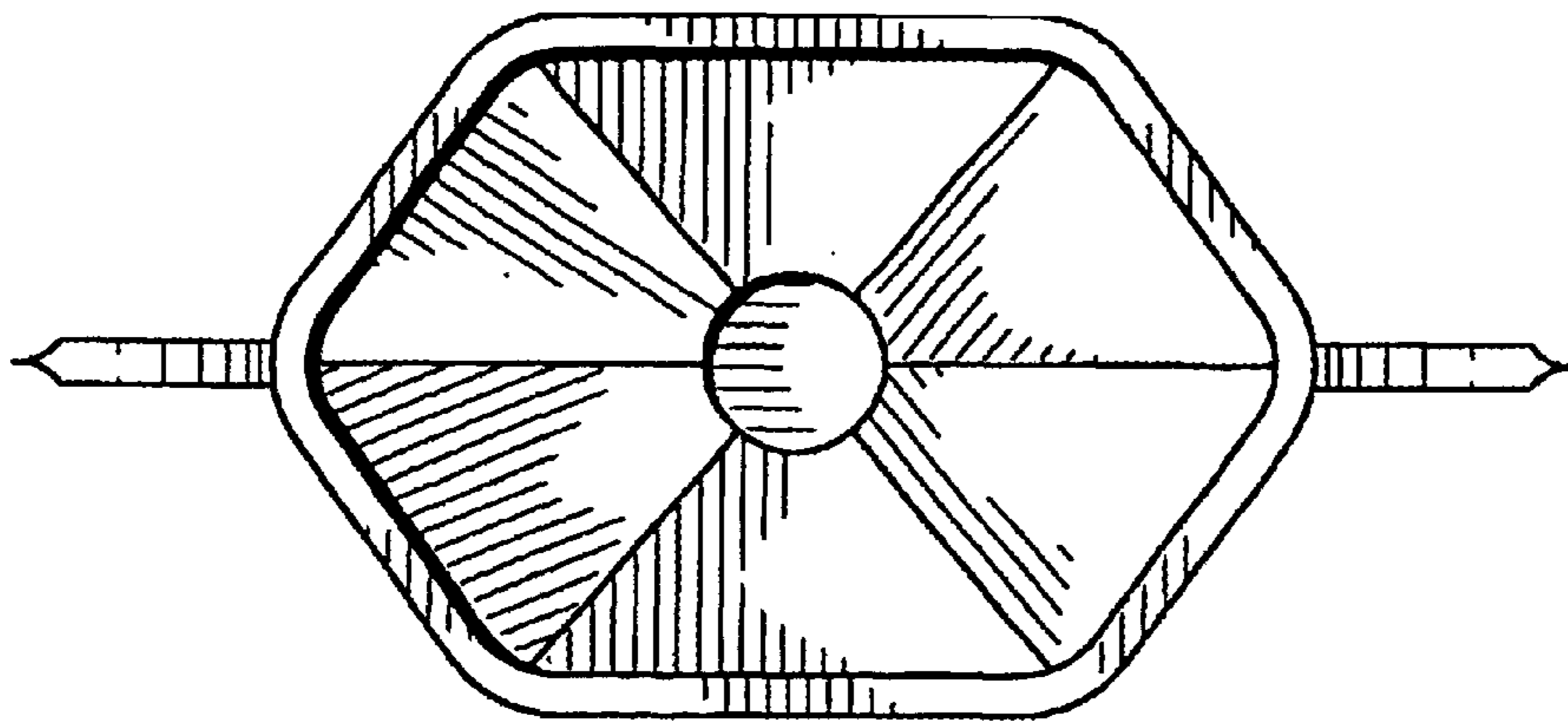
*Fig. 2*



*Fig. 3*



*Fig. 4*



*Fig. 5*