

US00D571001S

(12) **United States Design Patent** (10) **Patent No.:** **US D571,001 S**
Warby et al. (45) **Date of Patent:** **** Jun. 10, 2008**

(54) **MECHANICAL DOSAGE COUNTER APPARATUS**

(75) Inventors: **Richard Warby**, Norfolk (GB); **Simon Ingram**, Norfolk (GB); **Graham Hately**, Norfolk (GB); **William Southby**, Norfolk (GB); **Martin Swain**, Norfolk (GB); **Andrew Wright**, Norfolk (GB)

(73) Assignee: **Bespak PLC** (GB)

(**) Term: **14 Years**

(21) Appl. No.: **29/280,021**

(22) Filed: **May 14, 2007**

(30) **Foreign Application Priority Data**

Nov. 13, 2006 (EM) 000623764

(51) **LOC (8) Cl.** **24-01**

(52) **U.S. Cl.** **D24/110**

(58) **Field of Classification Search** D10/97;
D24/110, 164; 128/200.24; 222/402.24,
222/635, 402.1, 372, 386, 380; 239/337;
424/45

See application file for complete search history.

(56) **References Cited**

U.S. PATENT DOCUMENTS

D461,239 S * 8/2002 Cassidy D24/110
* cited by examiner

Primary Examiner—Antoine D Davis
(74) *Attorney, Agent, or Firm*—SAIDMAN DesignLaw Group

(57) **CLAIM**

The ornamental design for a mechanical dosage counter apparatus, as shown and described.

DESCRIPTION

FIG. 1 is a perspective view of a first embodiment of a mechanical dosage counter apparatus showing our new design;

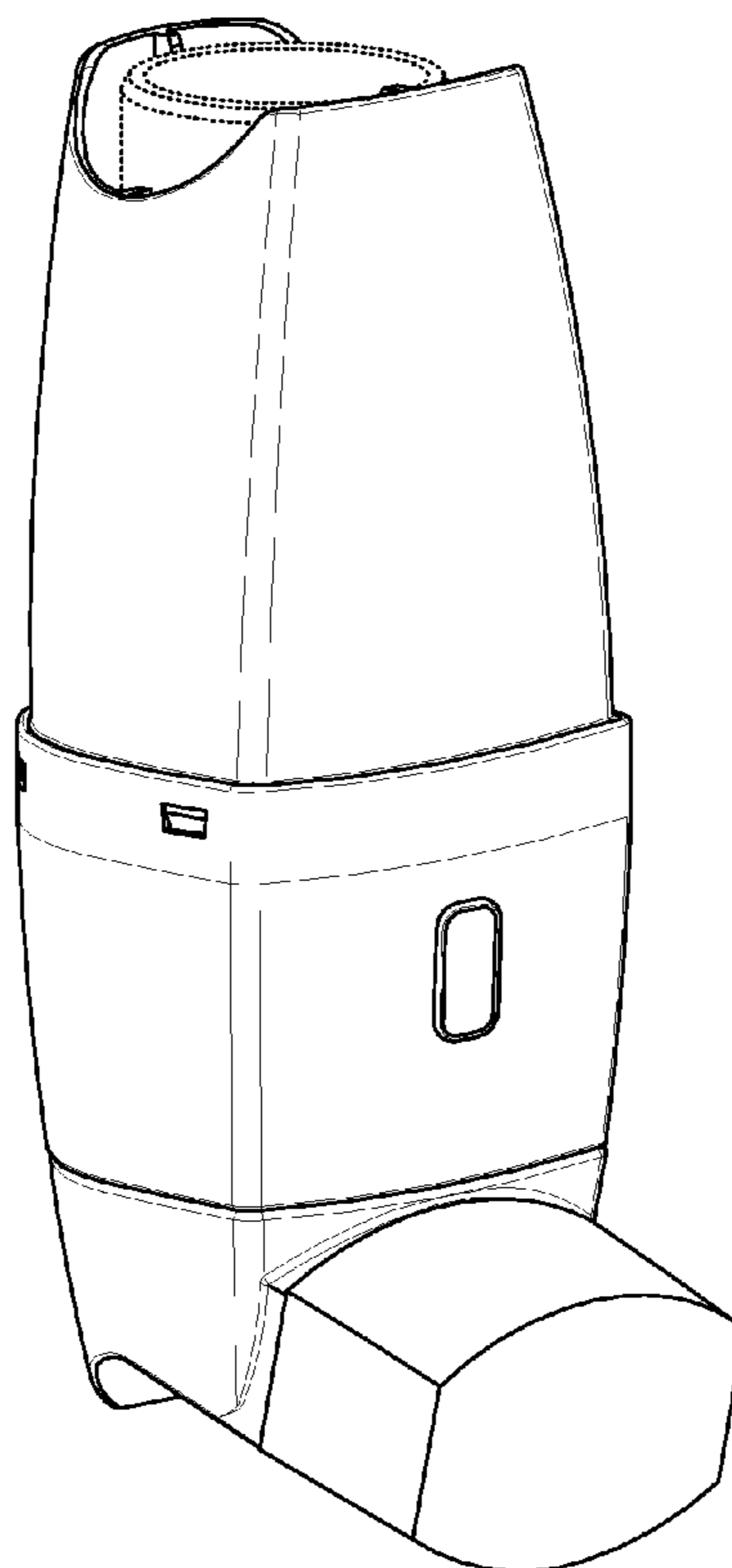
FIG. 2 is a left-side view thereof, the right-side view being a mirror image;

FIG. 3 is a perspective view of a second embodiment thereof; and,

FIG. 4 is a left-side view thereof, the right-side view being a mirror image.

The broken line showing of structural lines is included for the purpose of illustrating non-claimed subject matter and forms no part of the claimed design.

1 Claim, 2 Drawing Sheets



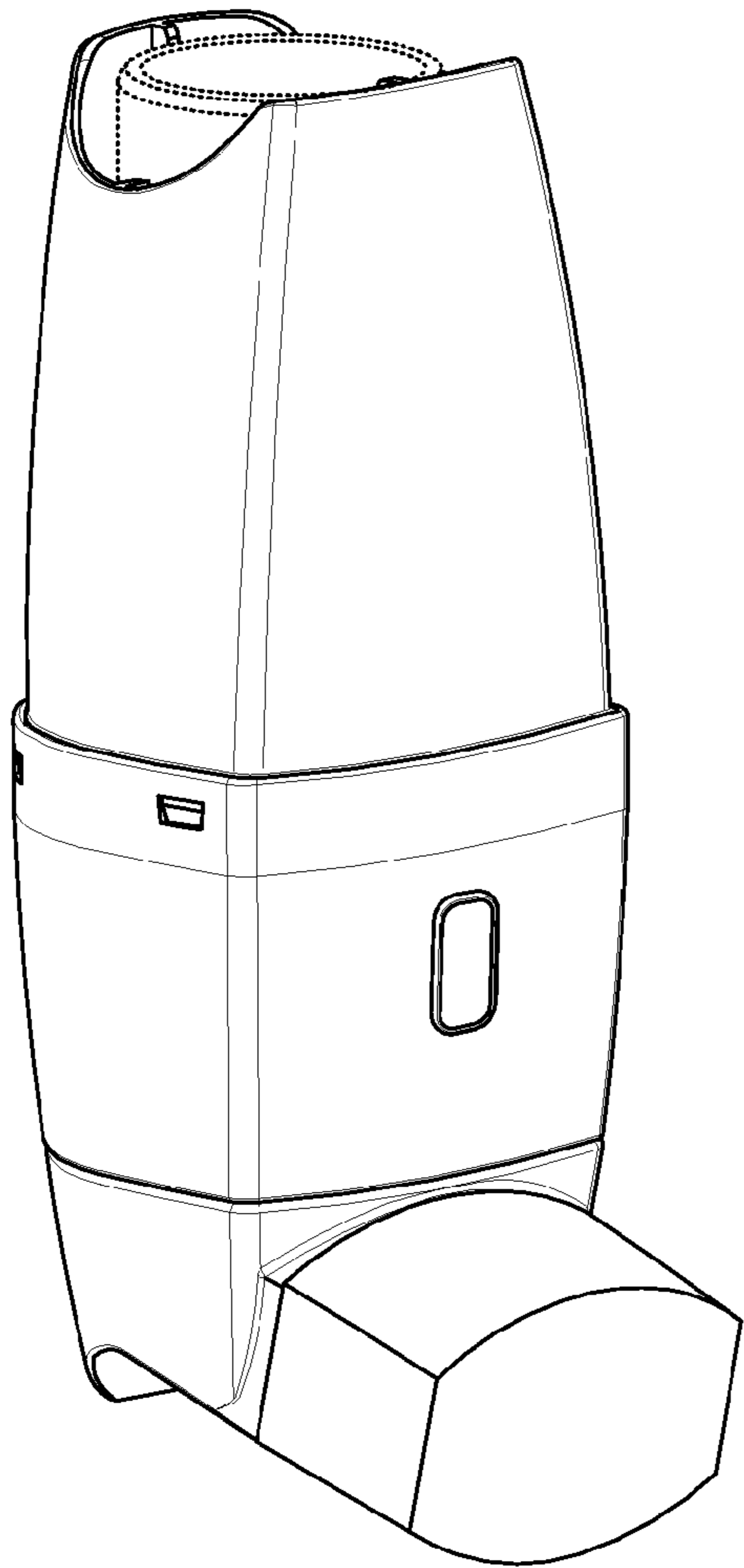


FIG. 1

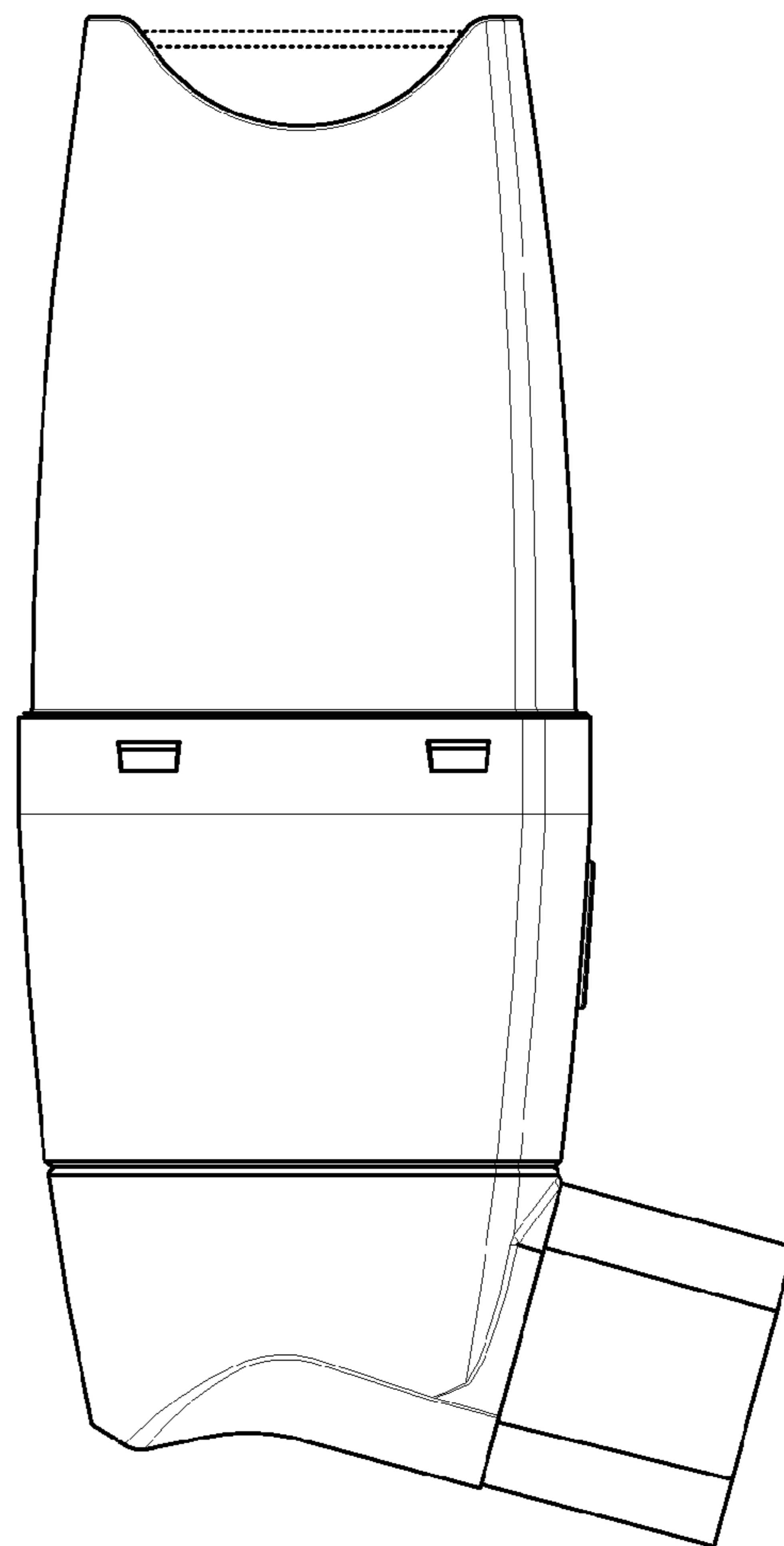


FIG. 2

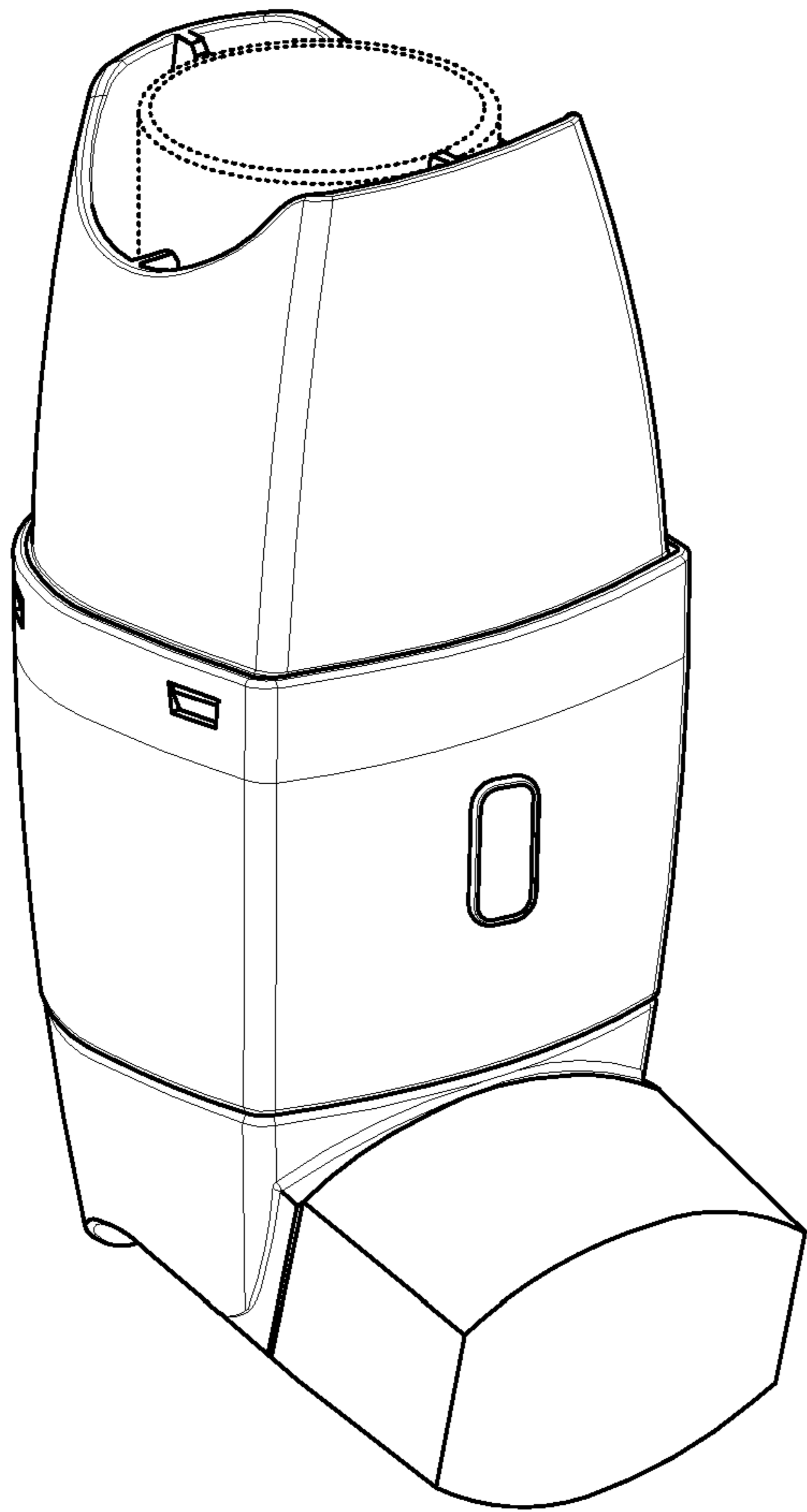


FIG. 3

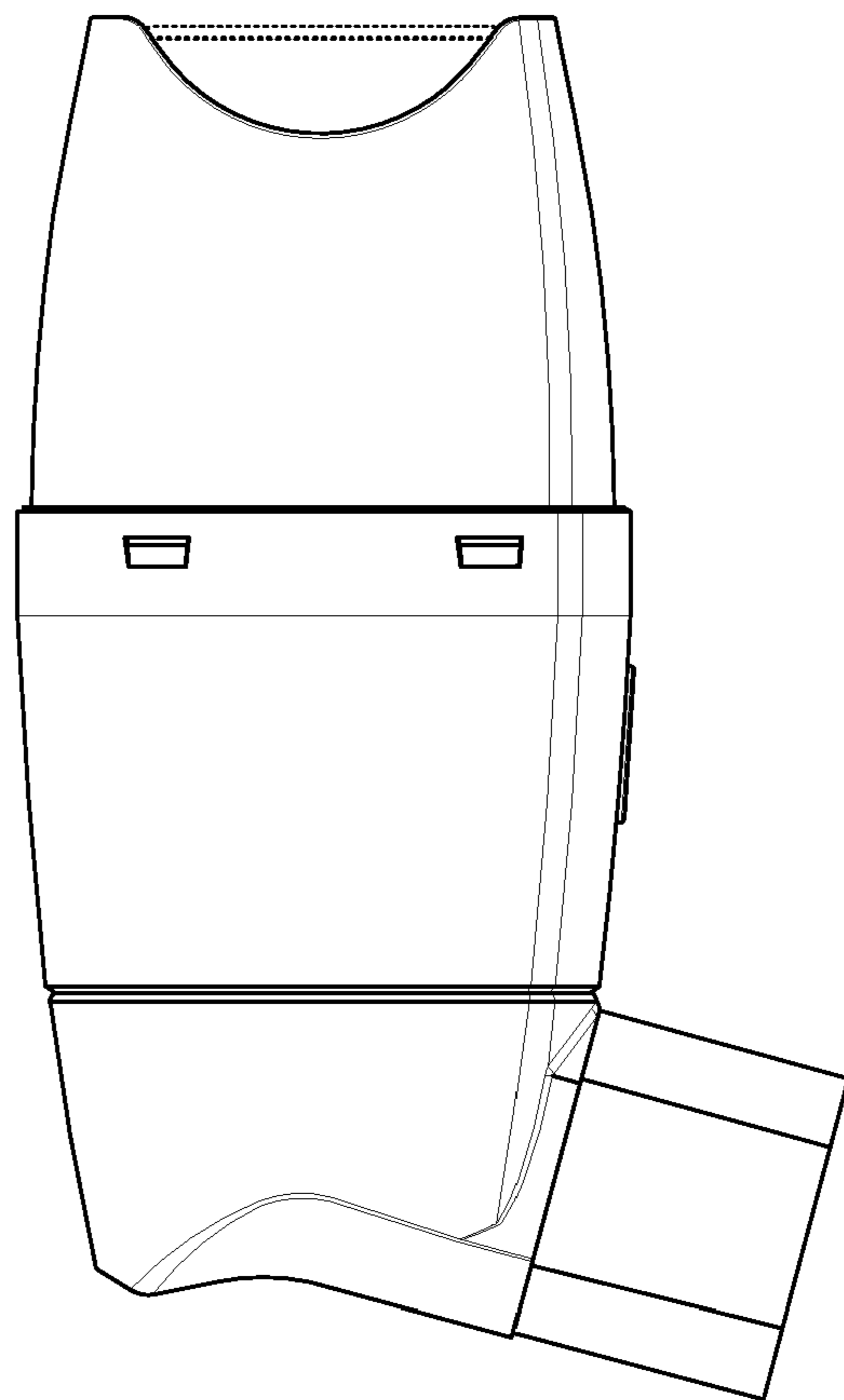


FIG. 4