



US00D570999S

(12) **United States Design Patent**
Harman et al.

(10) **Patent No.:** **US D570,999 S**
(45) **Date of Patent:** **** Jun. 10, 2008**

(54) **ROTOR**
(75) Inventors: **Jayden David Harman**, San Rafael, CA (US); **Kimberly Penney**, Emeryville, CA (US)
(73) Assignee: **Pax Scientific, Inc.**, San Rafael, CA (US)
(**) Term: **14 Years**
(21) Appl. No.: **29/250,621**
(22) Filed: **Nov. 22, 2006**
(51) **LOC (8) Cl.** **23-04**
(52) **U.S. Cl.** **D23/413**
(58) **Field of Classification Search** D23/370, D23/379, 413; 416/223 R, 238, 243, 179, 416/182; 361/695

4,834,142 A 5/1989 Johannessen
4,993,487 A 2/1991 Niggemann
5,010,910 A 4/1991 Hickey
5,040,558 A 8/1991 Hickey et al.
5,052,442 A 10/1991 Johannessen
5,058,837 A 10/1991 Wheeler
5,100,242 A 3/1992 Latto
5,139,215 A 8/1992 Peckham
5,181,537 A 1/1993 Powers
5,207,397 A 5/1993 Ng et al.
5,220,955 A 6/1993 Stokes
5,249,993 A 10/1993 Martin
5,261,745 A 11/1993 Watkins
5,312,224 A 5/1994 Batchelder et al.
5,336,789 A 8/1994 Cook
5,382,092 A 1/1995 Okamoto et al.

(Continued)

FOREIGN PATENT DOCUMENTS

AU 62946/96 2/1997

(Continued)

See application file for complete search history.

(56) **References Cited**

U.S. PATENT DOCUMENTS

871,825 A 11/1907 Schupmann
1,799,039 A 3/1931 Conejos
1,919,250 A 7/1933 Olson
2,165,808 A 7/1939 Murphy
3,076,480 A 2/1963 Vicard
3,081,826 A 3/1963 Loiseau
3,082,695 A 3/1963 Buschhorn
3,215,165 A 11/1965 Broadway
3,692,422 A 9/1972 Girardier
3,800,951 A 4/1974 Murlon
3,940,060 A 2/1976 Viets
3,964,841 A 6/1976 Strycek
4,206,783 A 6/1980 Brombach
4,211,183 A 7/1980 Hoult
4,225,102 A 9/1980 Frosch et al.
4,299,553 A 11/1981 Swaroop
4,505,297 A 3/1985 Leech et al.
4,540,334 A 9/1985 Stahle
4,644,135 A 2/1987 Daily
4,679,621 A 7/1987 Michele
4,699,340 A 10/1987 Rethorst

OTHER PUBLICATIONS

Derwent Abstract Accession No. 87-318963/45, SU 1291726 A (Makeevka Eng Cons) Feb. 23, 1987.

(Continued)

Primary Examiner—Lisa Lichtenstein
(74) *Attorney, Agent, or Firm*—Carr & Ferrell LLP

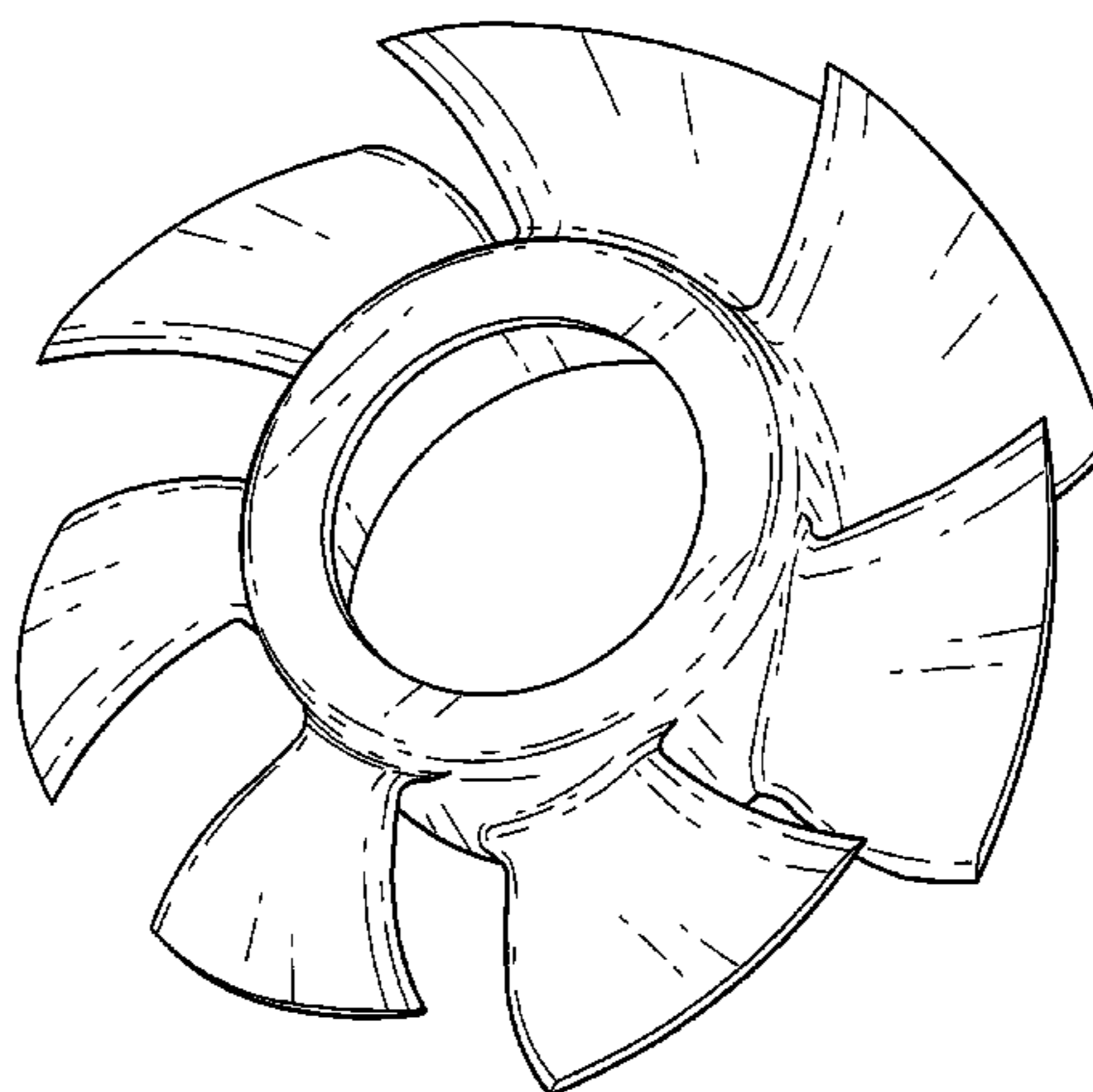
(57) **CLAIM**

The ornamental design for a rotor, as shown and described.

DESCRIPTION

FIG. 1 is a perspective view of the rotor, showing top and side views of the new design;
FIG. 2 is a top plan view of the rotor of FIG. 1;
FIG. 3 is a bottom plan view of the rotor of FIG. 1; and,
FIG. 4 is an enlarged side elevation view of the rotor of FIG. 1.

1 Claim, 4 Drawing Sheets



US D570,999 S

Page 2

U.S. PATENT DOCUMENTS

D368,772	S *	4/1996	Liao	D23/411
5,661,638	A	8/1997	Mira	
5,741,118	A	4/1998	Shinbara et al.	
5,787,974	A	8/1998	Pennington	
5,891,148	A	4/1999	Deckner	
5,934,612	A	8/1999	Gerhardt	
5,934,877	A	8/1999	Harman	
5,943,877	A	8/1999	Chen	
5,954,124	A	9/1999	Moribe et al.	
6,050,772	A	4/2000	Hatakeyama et al.	
6,179,218	B1	1/2001	Gates	
6,273,679	B1	8/2001	Na	
D453,827	S *	2/2002	Kuo et al.	D23/413
6,374,858	B1	4/2002	Hides et al.	
6,604,906	B2	8/2003	Ozeki	
6,623,838	B1	9/2003	Nomura et al.	
6,669,142	B2	12/2003	Saiz	
D485,904	S *	1/2004	Tsai et al.	D23/413
D486,572	S *	2/2004	Chen et al.	D23/413
D487,800	S	3/2004	Chen et al.	
6,702,552	B1	3/2004	Harman	
6,817,419	B2	11/2004	Reid	
6,892,988	B2	5/2005	Hugues	
D509,584	S	9/2005	Li et al.	
D539,413	S	3/2007	Parker et al.	
2004/0037986	A1	2/2004	Houston et al.	
2004/0238163	A1	12/2004	Harman	
2004/0244853	A1	12/2004	Harman	
2005/0269458	A1	12/2005	Harman	
2006/0102239	A1	5/2006	Harman	
2006/0249283	A1	11/2006	Harman	
2007/0003414	A1	1/2007	Harman	
2007/0025846	A1	2/2007	Harman	

FOREIGN PATENT DOCUMENTS

EP	0598253	5/1994
FR	2534981 A	10/1982
FR	2666031 A	2/1992
GB	873135	7/1961
GB	2 063 365 A	6/1981
JP	D1243052	6/2005
TW	565374	3/2002
TW	M287387	2/2006
WO	WO 81/03201	11/1981

WO	WO 1987 07048 A	11/1987
WO	WO 1989 08750 A	9/1989
WO	WO 00/38591	7/2000
WO	WO 2001 14782	3/2001
WO	WO 2003 056228 A	7/2003
WO	WO 3056269 A1	7/2003
WO	WO 2005/073561	8/2005

OTHER PUBLICATIONS

Derwent Abstract Accession No. 99-249047/32, JP 11072104 A (Saito Jidosha Shatai Kogyo KK) Mar. 16, 1999.

Patent Abstracts of Japan, Publication No. 2000-168632, Jun. 20, 2000, "Low Air Resistance Vehicle Body Using Vortex Ring."

Derwent Abstract Accession No. 97-198067/18, JP 09053787 A (Kajima Corp) Feb. 25, 1997.

Derwent Abstract Accession No. 97-546288/50, JP 09264462 A (Sekisui Chem Ind Co Ltd) Oct. 7, 1997.

Derwent Abstract Accession No. 1999-380417/32, JP 11148591 A (TLV Co Ltd) Jun. 2, 1999.

Derwent Abstract Accession No. E6575C/21, SU 687306A (Leningrad Forestry Acad) Sep. 28, 1977.

Derwent Abstract Accession No. N8420 E/42, SU 887876 A (As Ukr Hydromechani) Dec. 7, 1981.

Derwent Abstract Accession No. 85-073498/12, SU 1110986 A (Korolev A S) Aug. 30, 1984.

Derwent Abstract Accession No. 89-075095/10, SU 1418540 A (As Ukr Hydrodynamic) Aug. 23, 1988.

Derwent Abstract Accession No. 91-005279, SU 1560887 A (Sredaztekhenergo En) Apr. 30, 1990.

Derwent Abstract Accession No. 93-375668/47, SU 1756724 A (Odess Poly) Aug. 30, 1992.

Derwent Abstract Accession No. L0015B/47, SE 7803739 A (Ingenjorsfirma Garl) Nov. 5, 1979.

Derwent Abstract Accession No. 89-157673, SU 1437579A (Lengd Kalinin Poly) Nov. 15, 1988.

K. Foster et al., "Fluidics Components and Circuits," Wiley-Interscience, London, 1971, pp. 219-221.

Karassik et al "Pump Handbook" pub. 1976 by McGraw-Hill, Inc.

McLarty et al., "Phi Geometry: Impeller & Propeller Design for Fluids Handling", Offshore Magazine, pp. 123—Oct. 1999.

Derwent Abstract Accession No. K2273W/37, SU 431850 A (Fishing Ind Exp), (Apr. 1975).

Derwent Abstract Accession No. 51960 E/25, SU 858896 A (ONATSKII P A), (Aug. 1981).

* cited by examiner

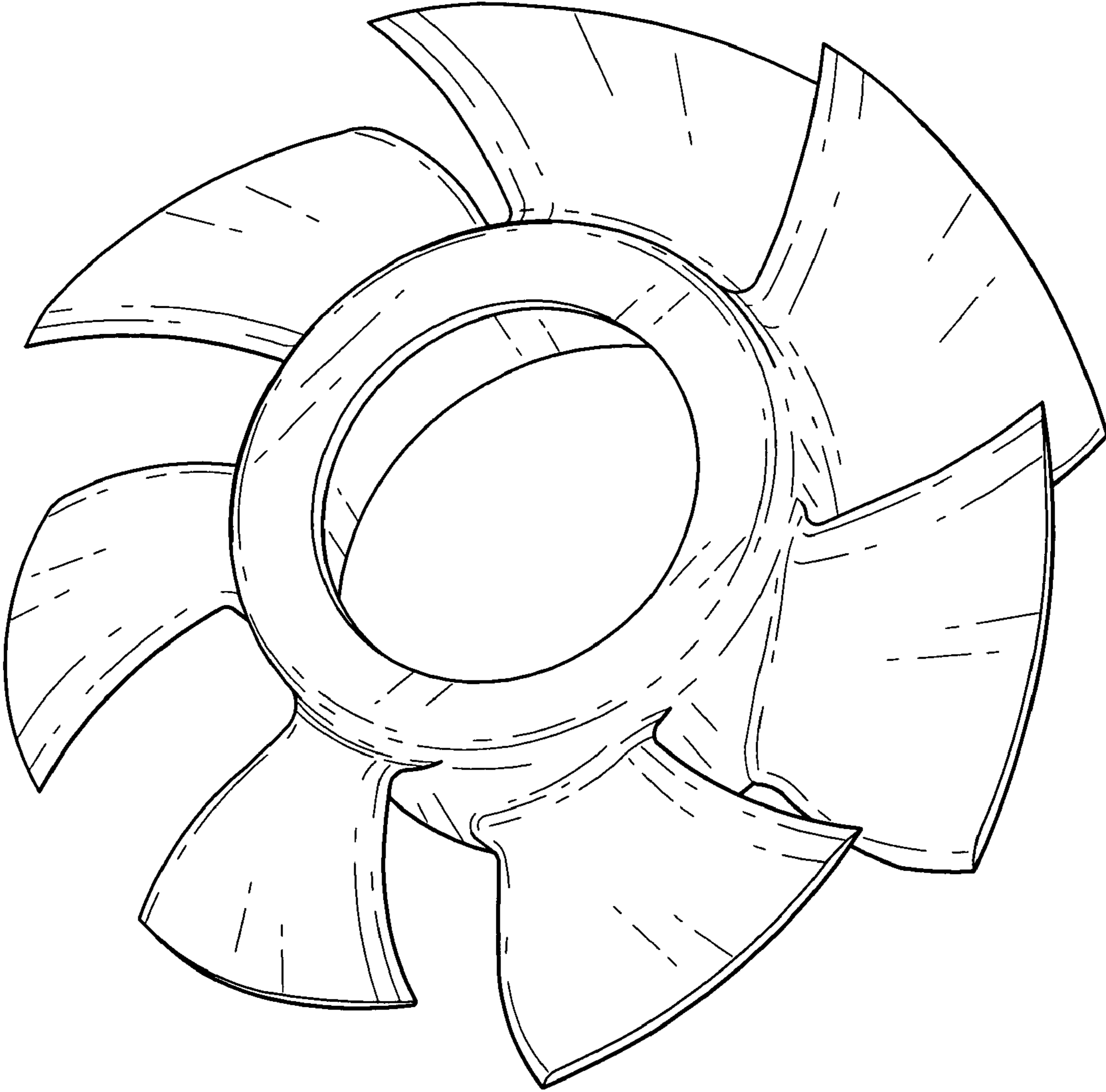


FIG. 1

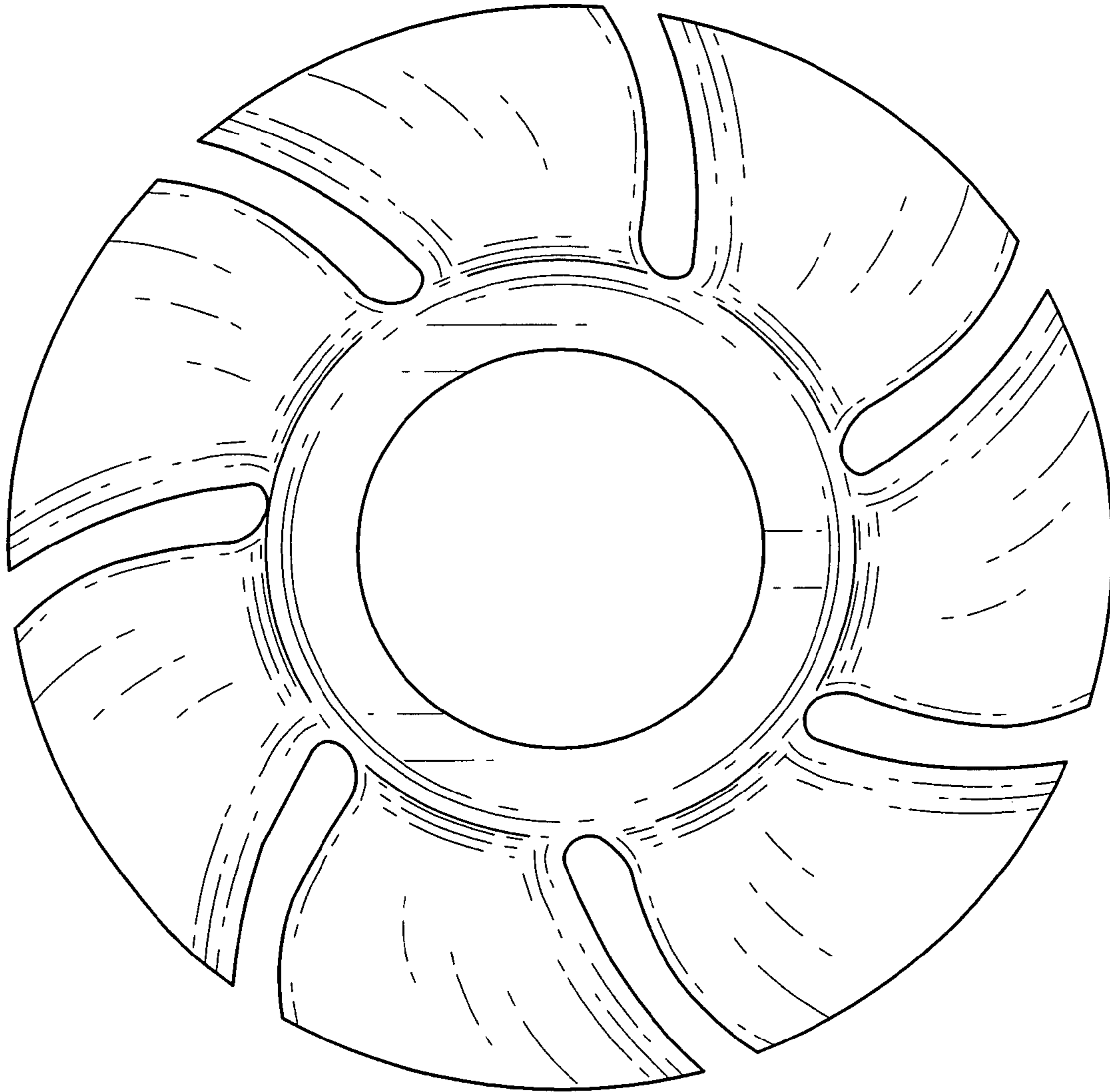


FIG. 2

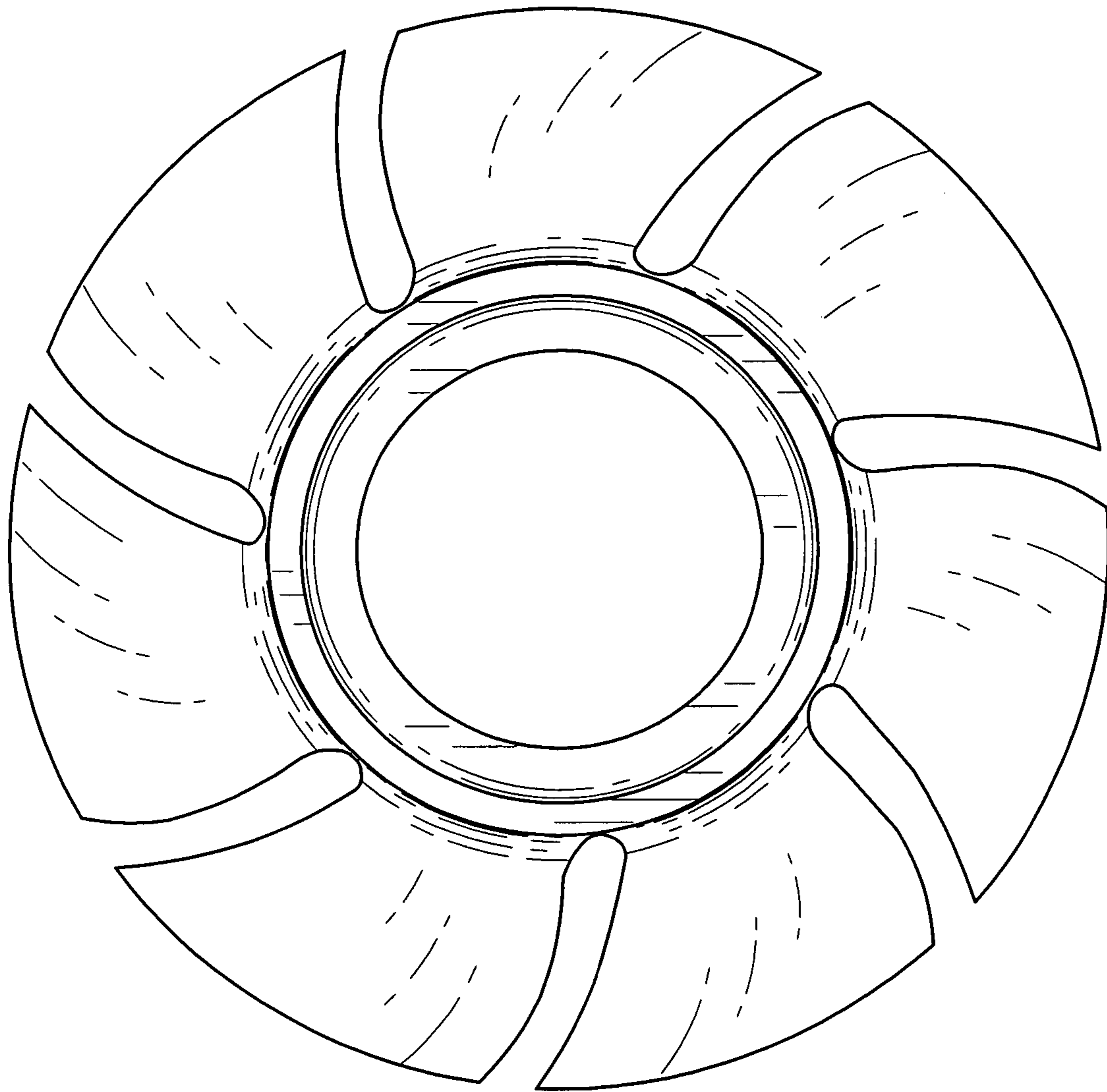


FIG. 3

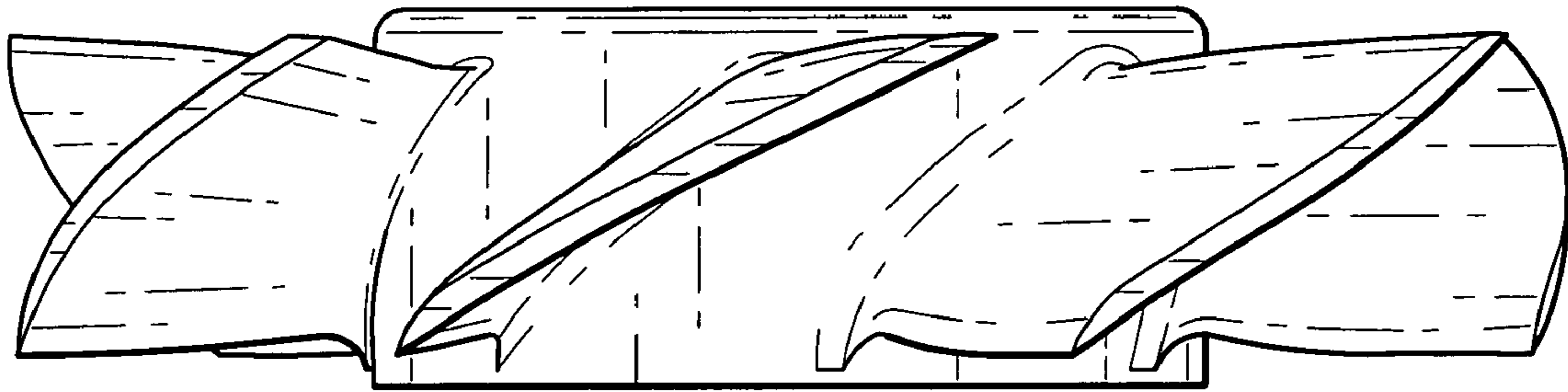


FIG. 4

UNITED STATES PATENT AND TRADEMARK OFFICE
CERTIFICATE OF CORRECTION

PATENT NO. : Des. 570,999 S
APPLICATION NO. : 29/250621
DATED : June 10, 2008
INVENTOR(S) : Jayden Harman et al.

Page 1 of 1

It is certified that error appears in the above-identified patent and that said Letters Patent is hereby corrected as shown below:

Title Page, Item (56) references cited

Insert:

--WO 2005/045258 05-19-2005 Pax Scientific, Inc.--

Signed and Sealed this

Seventeenth Day of March, 2009



JOHN DOLL
Acting Director of the United States Patent and Trademark Office