



US00D570997S

(12) **United States Design Patent**
Hidalgo

(10) **Patent No.:** **US D570,997 S**
(45) **Date of Patent:** **** Jun. 10, 2008**

(54) **CEILING FAN BLADE**

(75) Inventor: **Rolando Hidalgo**, Orange, CA (US)

(73) Assignee: **Minka Lighting, Inc.**, Corona, CA (US)

(**) Term: **14 Years**

(21) Appl. No.: **29/249,972**

(22) Filed: **Oct. 27, 2006**

(51) **LOC (8) Cl.** **23-04**

(52) **U.S. Cl.** **D23/413**

(58) **Field of Classification Search** D23/411,
D23/377, 379, 385, 413; 416/5
See application file for complete search history.

(56) **References Cited**

U.S. PATENT DOCUMENTS

D284,304 S * 6/1986 Harber D23/377
D365,874 S * 1/1996 Kuo D23/413

OTHER PUBLICATIONS

U.S. Appl. No. 29/249,967 filed on Oct. 27, 2006.
Hunter Internet Catalog; Piedmont ceiling fan; Model HU-25417;
printed from hansenwholesale.com on Nov. 10, 2006.
Emerson Internet Catalog; Lorraine ceiling fan; Model
EM-KF240PRZ; printed from hansenwholesale.com on Nov. 10,
2006.
Emerson Internet Catalog; Nottingham ceiling fan; Model
EM-CF4600GLZ; printed from hansenwholesale.com.

* cited by examiner

Primary Examiner—Lisa P Lichtenstein

(74) *Attorney, Agent, or Firm*—Baker & McKenzie LLP

(57) **CLAIM**

The ornamental design for a ceiling fan blade, as shown and described.

DESCRIPTION

FIG. 1 is a perspective view from below of a ceiling fan blade in accordance with my design;

FIG. 2 is a side elevation view of the ceiling fan blade in accordance with my design;

FIG. 3 is a reduced top plan view of the ceiling fan blade in accordance with my design;

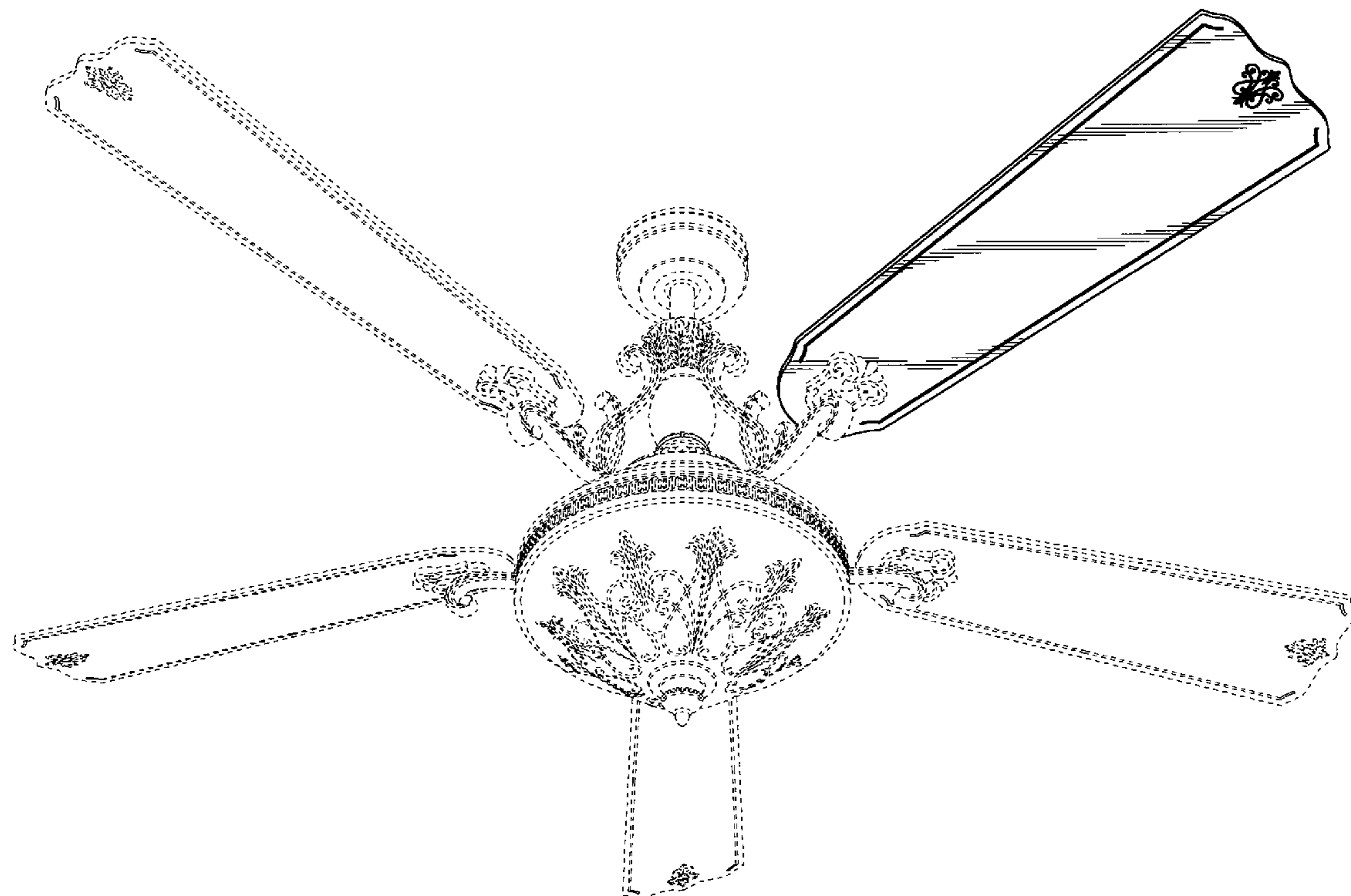
FIG. 4 is an reduced bottom plan view of the ceiling fan blade in accordance with my design;

FIG. 5 is an enlarged top plan view of the ceiling fan blade in accordance with my design; and,

FIG. 6 is an enlarged top plan view.

The broken line showing of the canopy, support rod, blades, blade irons, and light fixture is included for the purpose of illustrating environmental structure and forms no part of the claimed design.

1 Claim, 5 Drawing Sheets



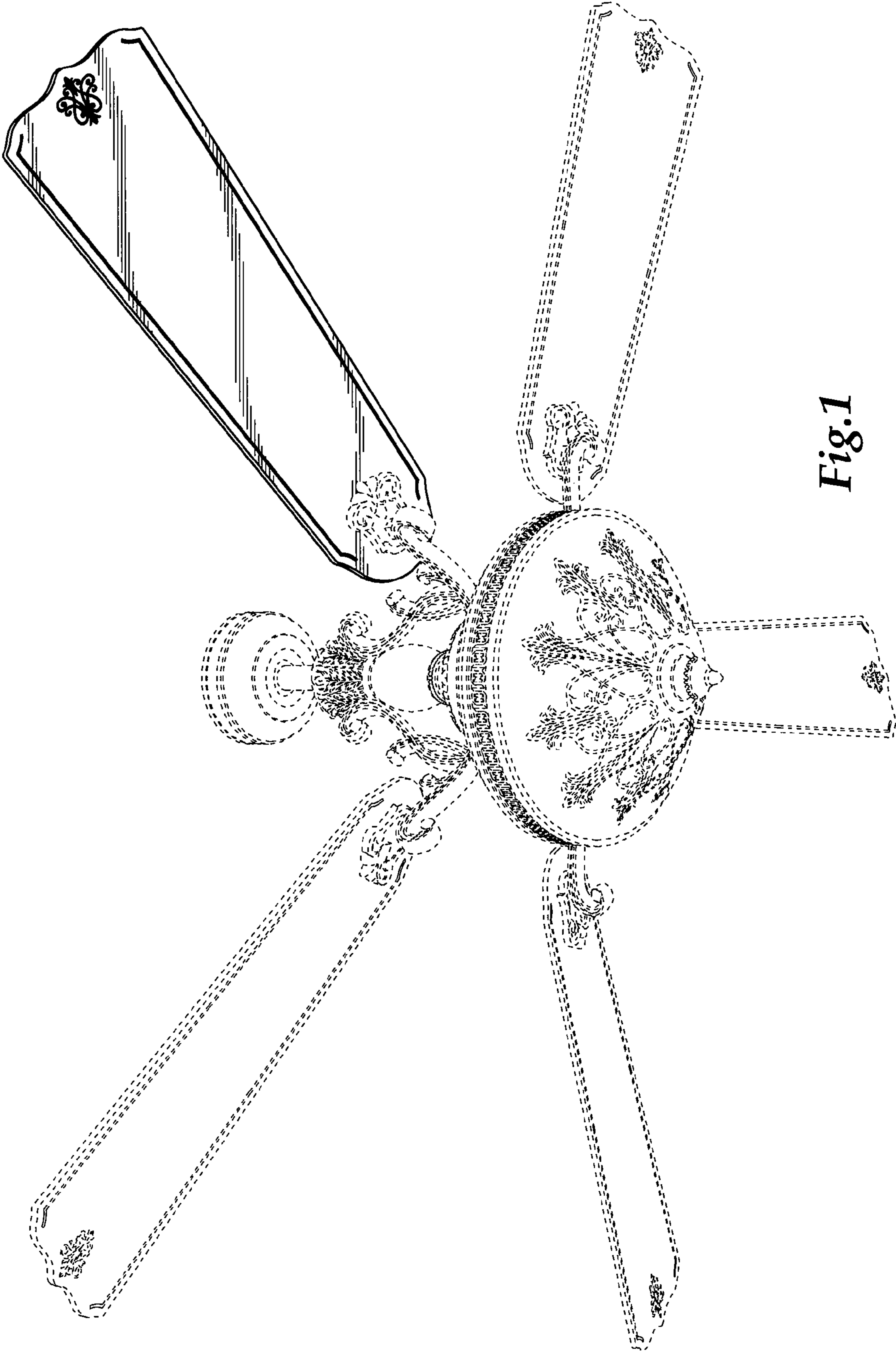


Fig. 1

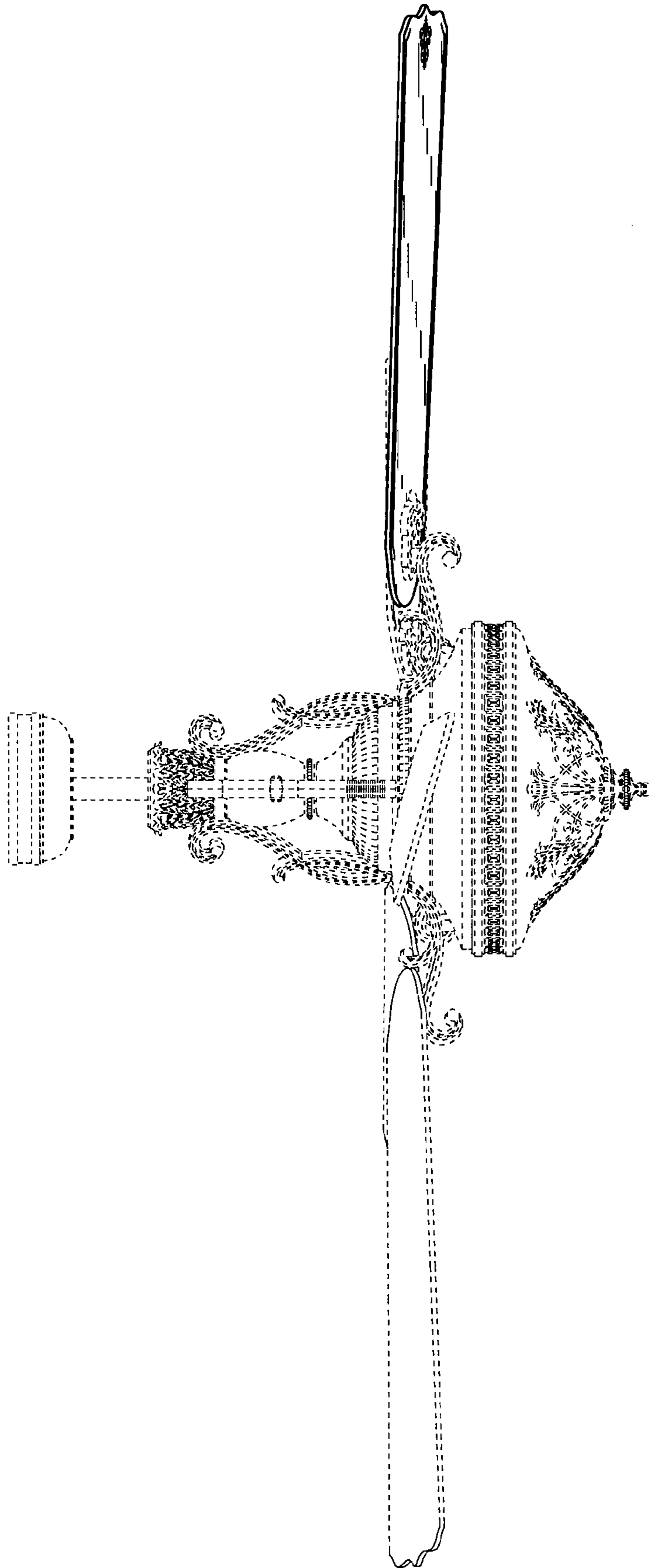


Fig. 2

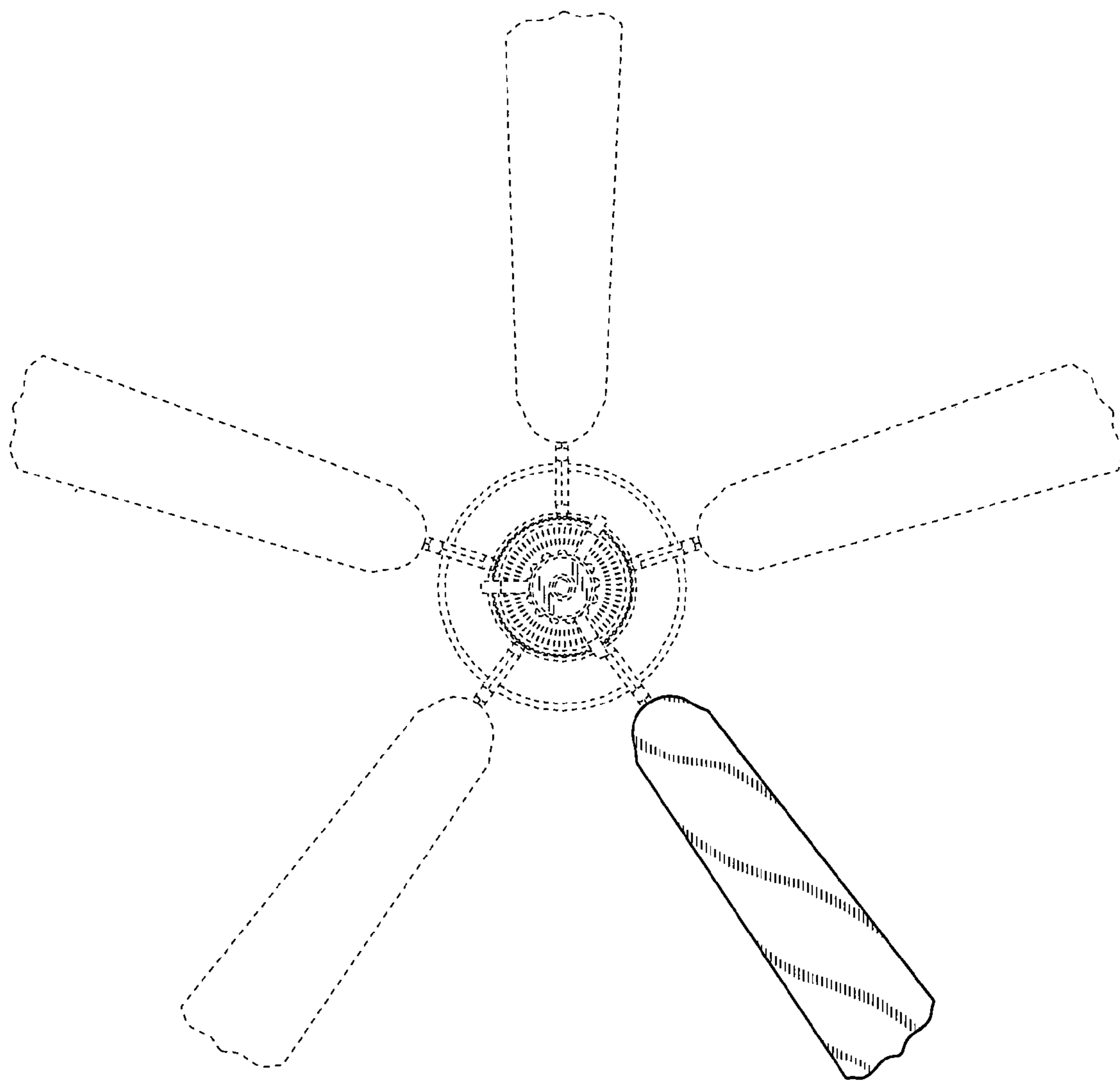


Fig.3

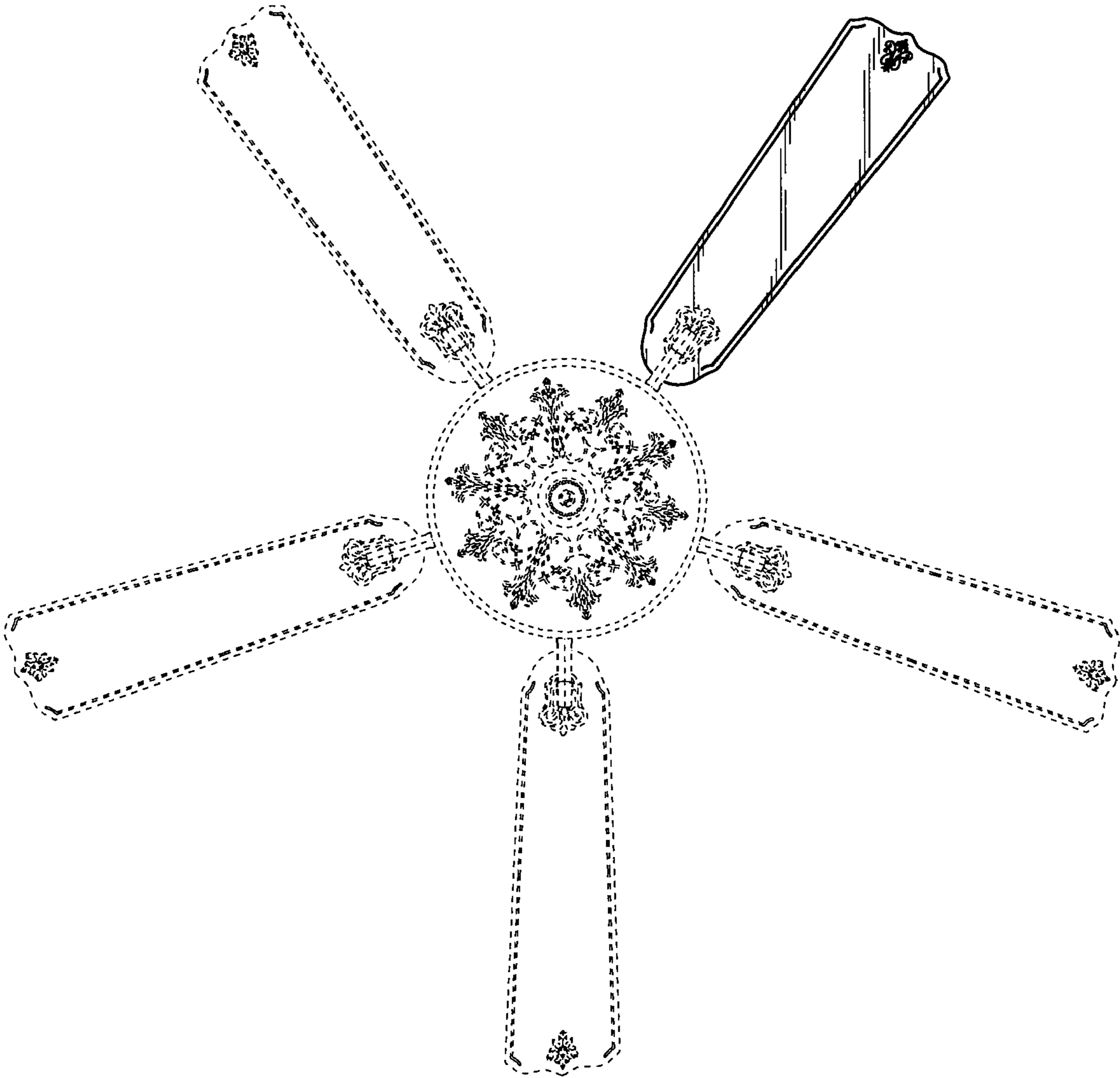


Fig.4

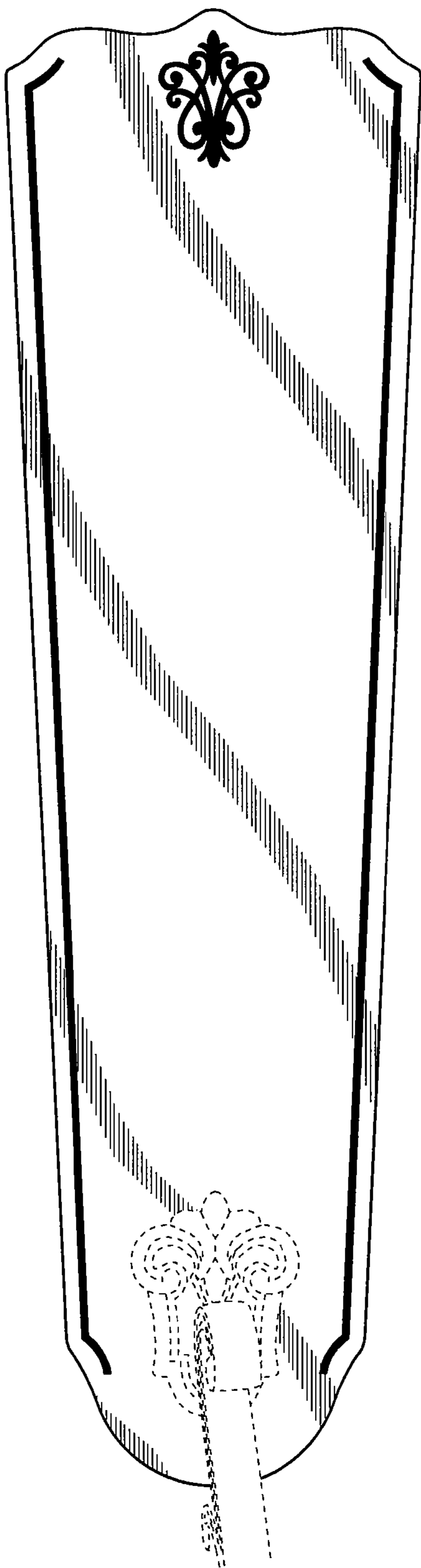


Fig.5

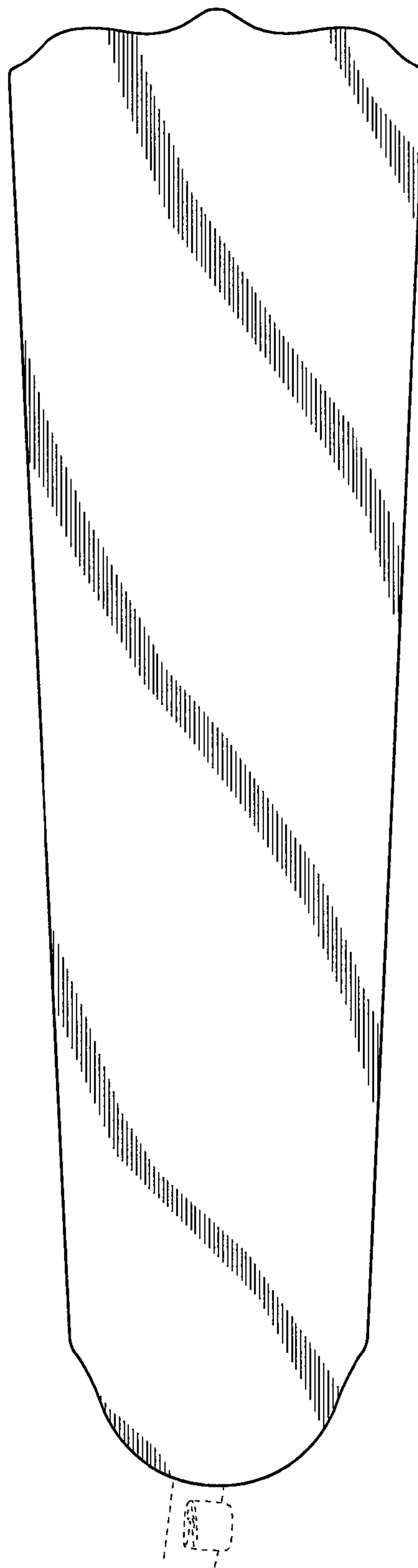


Fig.6