



US00D570994S

(12) **United States Design Patent**
Hidalgo

(10) **Patent No.:** **US D570,994 S**
(45) **Date of Patent:** **** Jun. 10, 2008**

(54) **FINIAL**
(75) Inventor: **Rolando Hidalgo**, Orange, CA (US)
(73) Assignee: **Minka Lighting, Inc.**, Corona, CA (US)
(**) Term: **14 Years**
(21) Appl. No.: **29/250,221**
(22) Filed: **Nov. 7, 2006**

(51) **LOC (8) Cl.** **23-04**
(52) **U.S. Cl.** **D23/411**
(58) **Field of Classification Search** D23/377,
D23/379, 385, 411, 413; 416/5; D26/59,
D26/51, 72, 80-86, 73
See application file for complete search history.

(56) **References Cited**

U.S. PATENT DOCUMENTS

D418,914 S * 1/2000 Zuege D23/411

OTHER PUBLICATIONS

U.S. Appl. No. 29/250,222 filed on Nov. 7, 2006.
U.S. Appl. No. 29/250,214 filed on Nov. 7, 2006.
U.S. Appl. No. 29/249,967 filed on Nov. 7, 2006.
MinkaAire Internet Catlog; Salon Grand ceiling fan; Model F-707;
printed from minkagroup.net on Nov. 10, 2006.
Designers Fountain Internet Catalog; Toscano Collection; Model
5813-PVL; printed from arcadianlighting.com on Nov. 10, 2006.

* cited by examiner

Primary Examiner—Lisa Lichtenstein
(74) *Attorney, Agent, or Firm*—Baker & McKenzie LLP

(57) **CLAIM**

The ornamental design for a finial, as shown and described.

DESCRIPTION

FIG. 1 is a perspective view from below of a finial in accordance with my design;

FIG. 2 is an enlarged perspective view from below of the finial in accordance with my design;

FIG. 3 is an enlarged top plan view of the finial in accordance with my design;

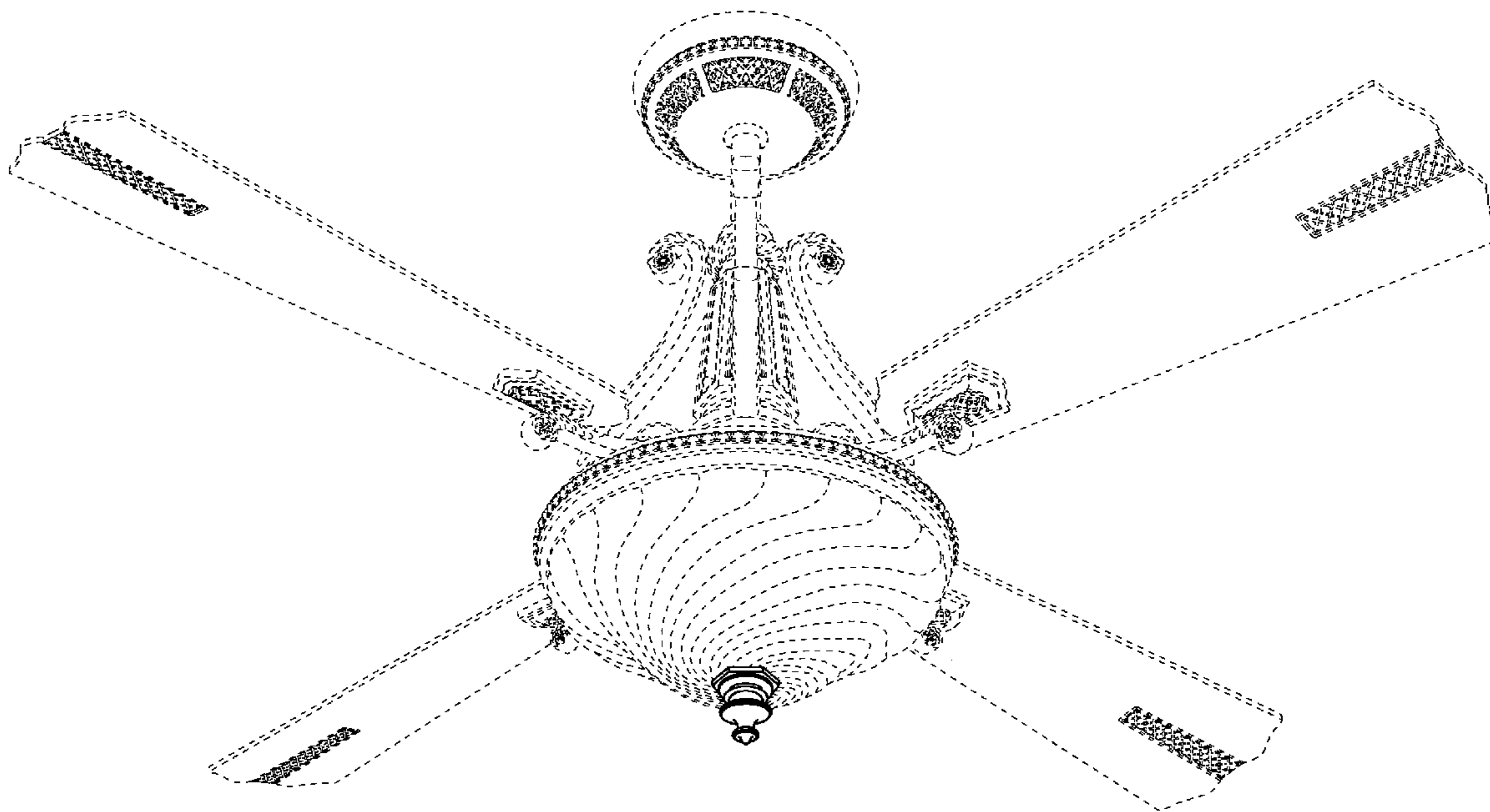
FIG. 4 is an enlarged side elevation view of the finial in accordance with my design, the opposite view being a mirror image of that shown; and,

FIG. 5 is an enlarged front elevation view of the finial in accordance with my design, the opposite view being a mirror image of that shown.

The broken lines showing environmental structure are for illustrative purposes and form no part of the claimed design.

The broken line showing of the canopy, scrolls, fan blades, motor housing, light fixture and blade irons is included for the purpose of illustrating environmental structure and forms no part of the claimed design.

1 Claim, 2 Drawing Sheets



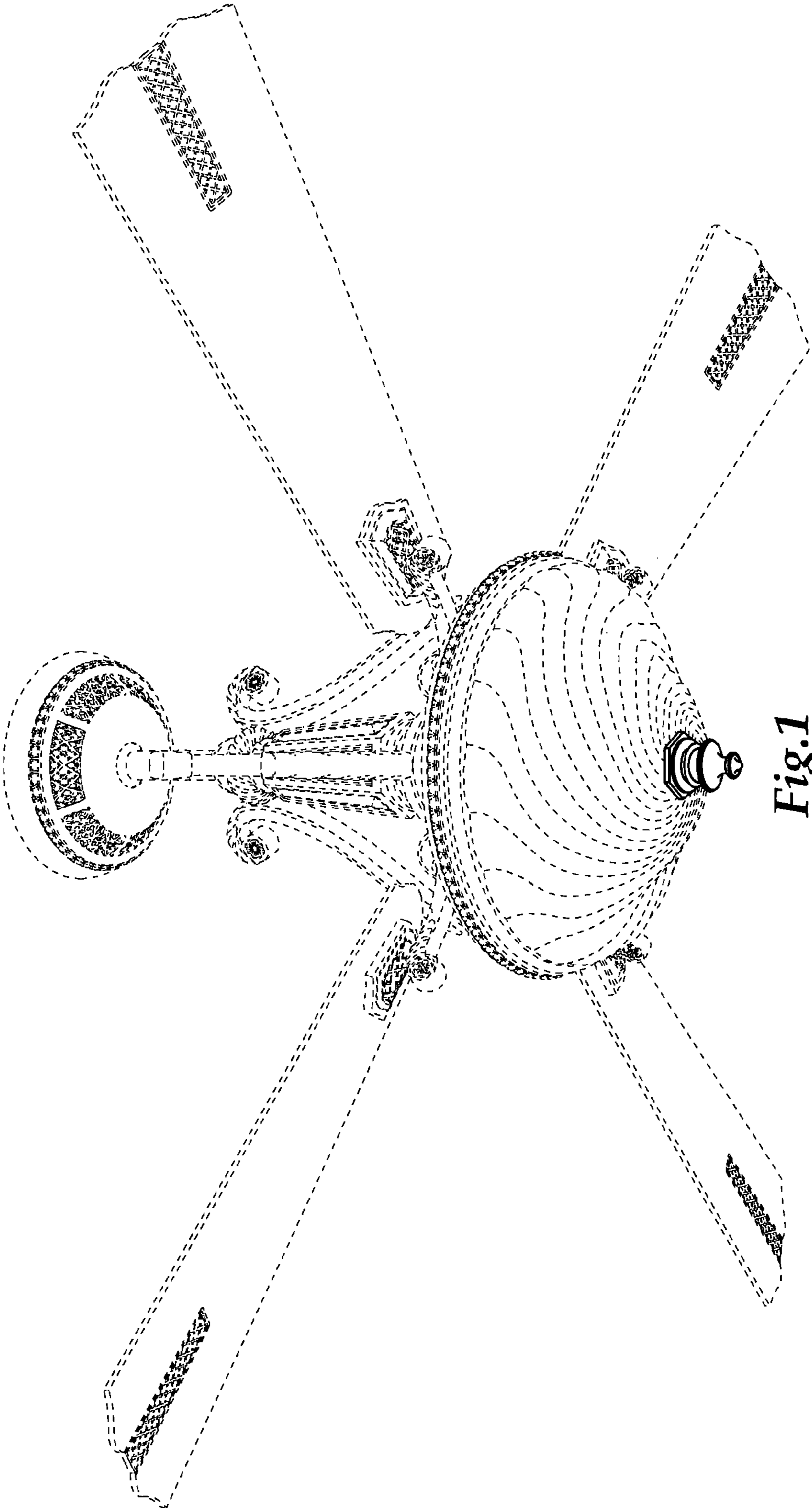


Fig. 1

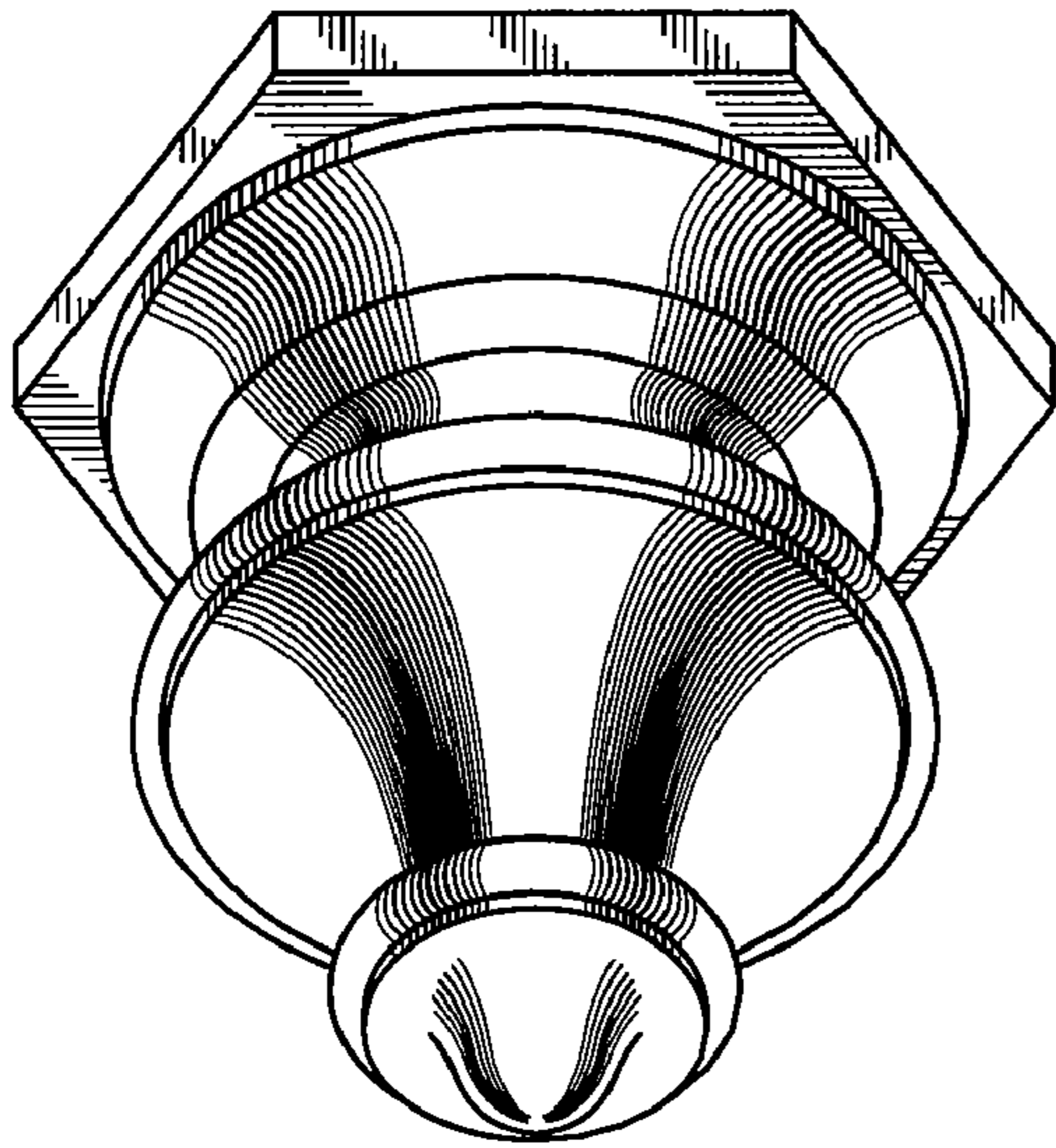


Fig. 2

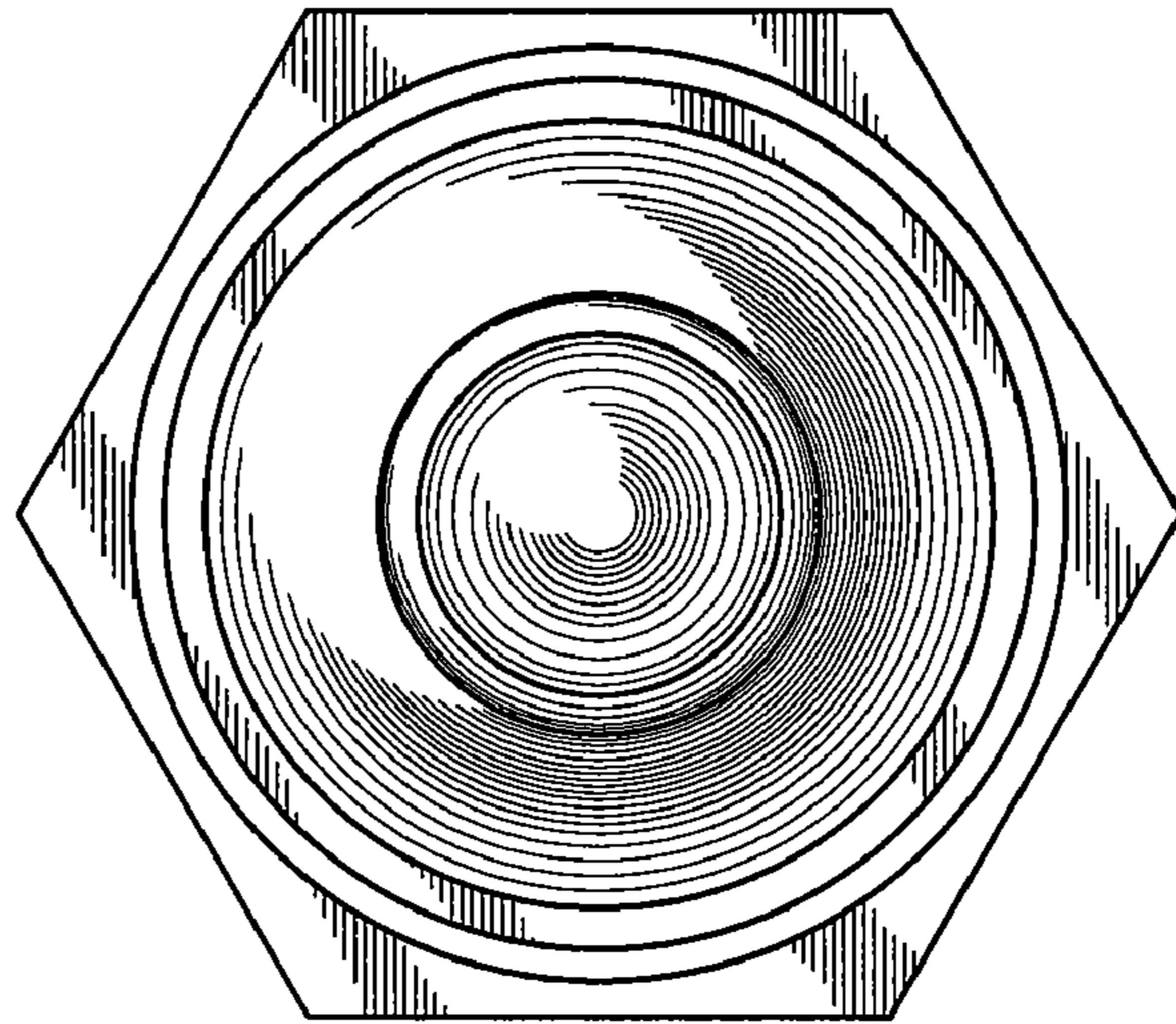


Fig. 3

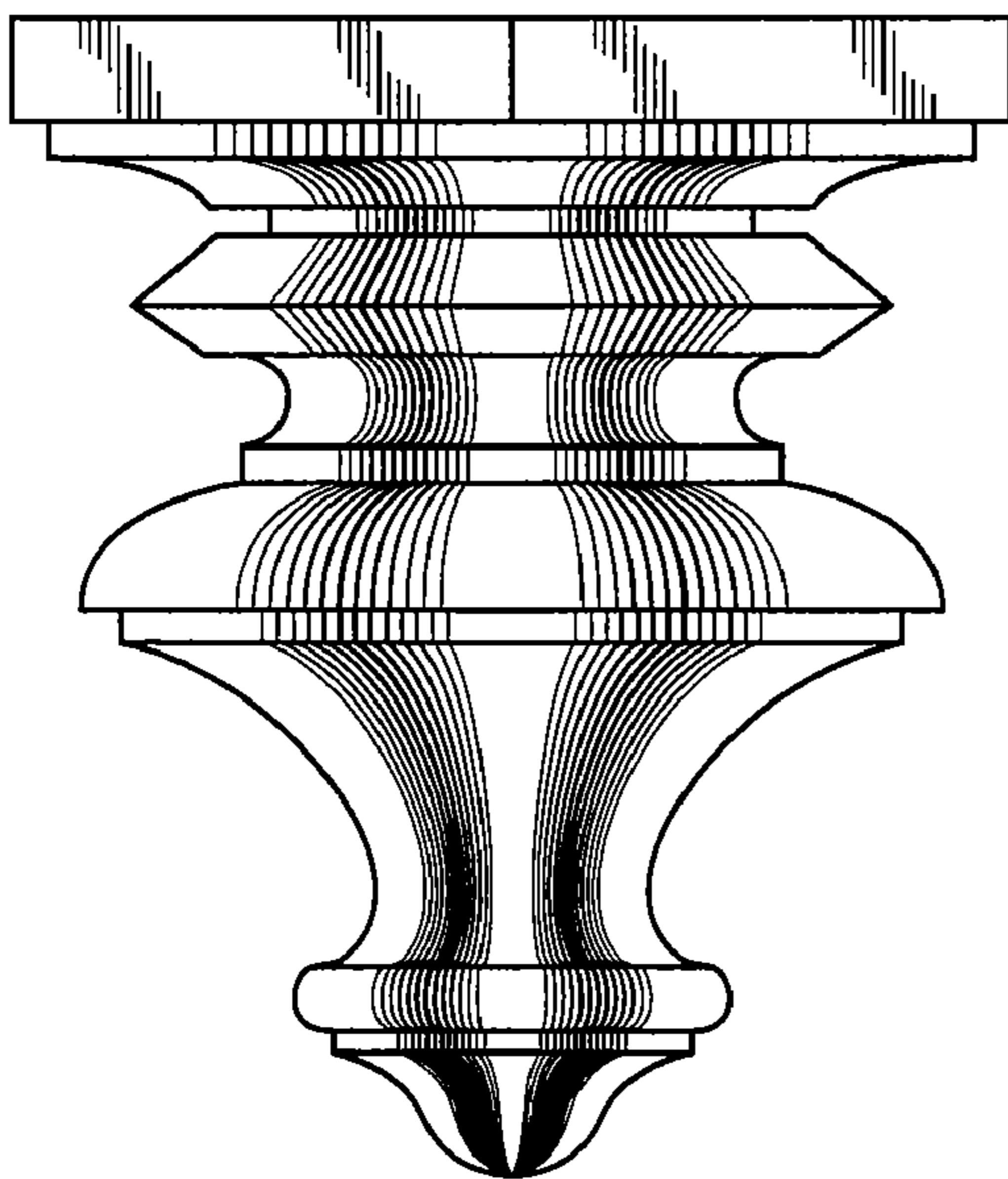


Fig. 4

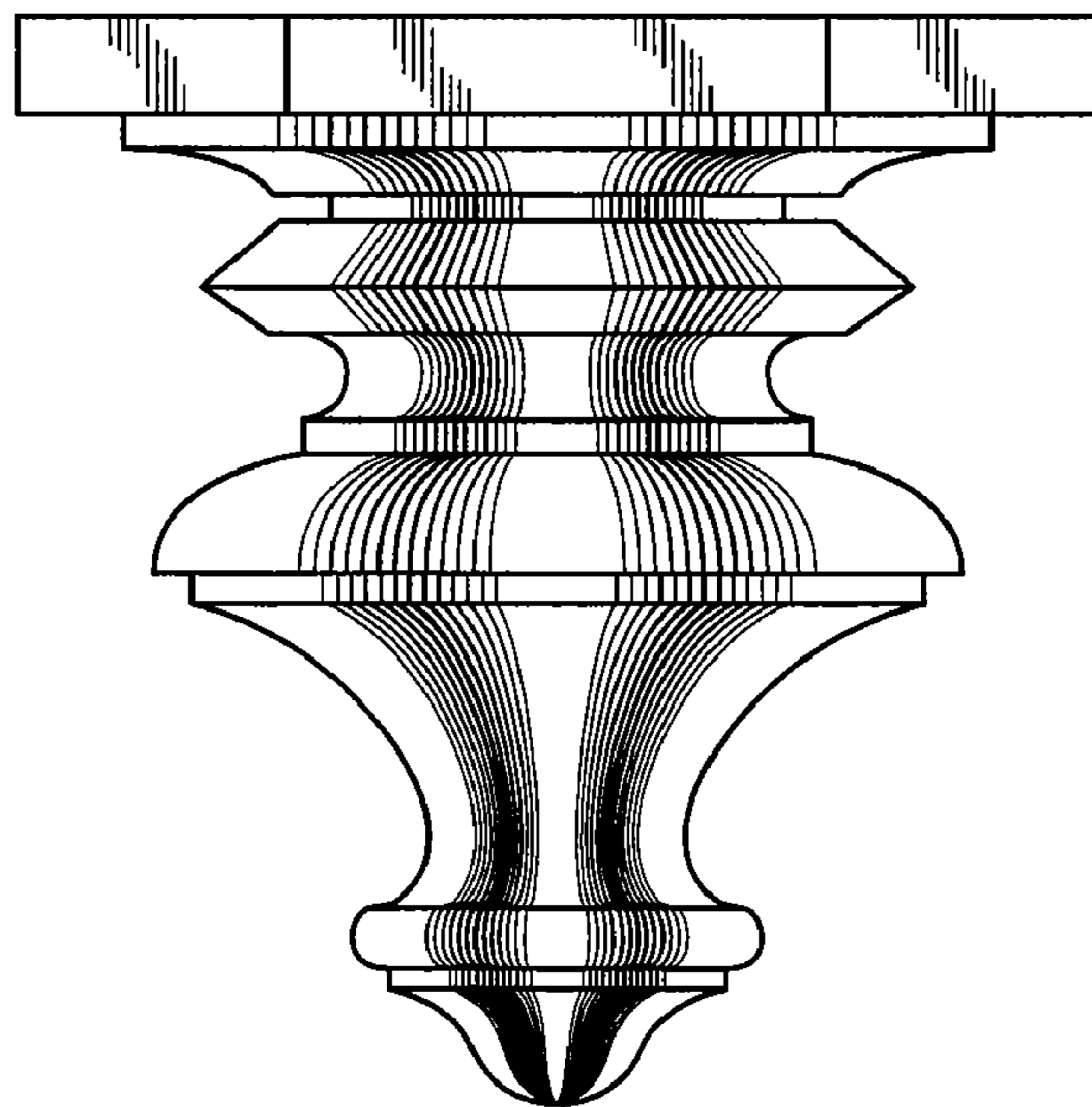


Fig. 5