



US00D570993S

(12) **United States Design Patent**
Hidalgo

(10) **Patent No.:** **US D570,993 S**
(45) **Date of Patent:** **** Jun. 10, 2008**

(54) **BLADE IRON**

(75) Inventor: **Rolando Hidalgo**, Orange, CA (US)

(73) Assignee: **Minka Lighting, Inc.**, Corona, CA (US)

(**) Term: **14 Years**

(21) Appl. No.: **29/250,219**

(22) Filed: **Nov. 7, 2006**

(51) **LOC (8) Cl.** **23-04**

(52) **U.S. Cl.** **D23/411**

(58) **Field of Classification Search** D23/377,
D23/379, 385, 411, 413; 416/5; D26/59,
D26/51, 72, 80-86, 73

See application file for complete search history.

(56) **References Cited**

U.S. PATENT DOCUMENTS

D430,930 S * 9/2000 Zuege D23/411
D531,720 S * 11/2006 Hidalgo D23/411

OTHER PUBLICATIONS

U.S. Appl. No. 29/250,222 filed on Nov. 7, 2006.
U.S. Appl. No. 29/250,214 filed on Nov. 7, 2006.
MinkaAire Internet Catalog; Volterra ceiling fan; Model F-702
printed from minkagroup.net on Nov. 10, 2006.
MinkaAire Internet Catalog; Caspian ceiling fan; Model F-703
printed from minkagroup.net on Nov. 10, 2006.

* cited by examiner

Primary Examiner—Lisa Lichtenstein
(74) *Attorney, Agent, or Firm*—Baker & McKenzie LLP

(57) **CLAIM**

The ornamental design for a blade iron, as shown and described.

DESCRIPTION

FIG. 1 is a perspective view from below of a blade iron in accordance with my design;

FIG. 2 is an enlarged perspective view from below of the blade iron in accordance with my design;

FIG. 3 is an enlarged side elevation view of the blade iron in accordance with my design, the opposite view being a mirror image of that shown;

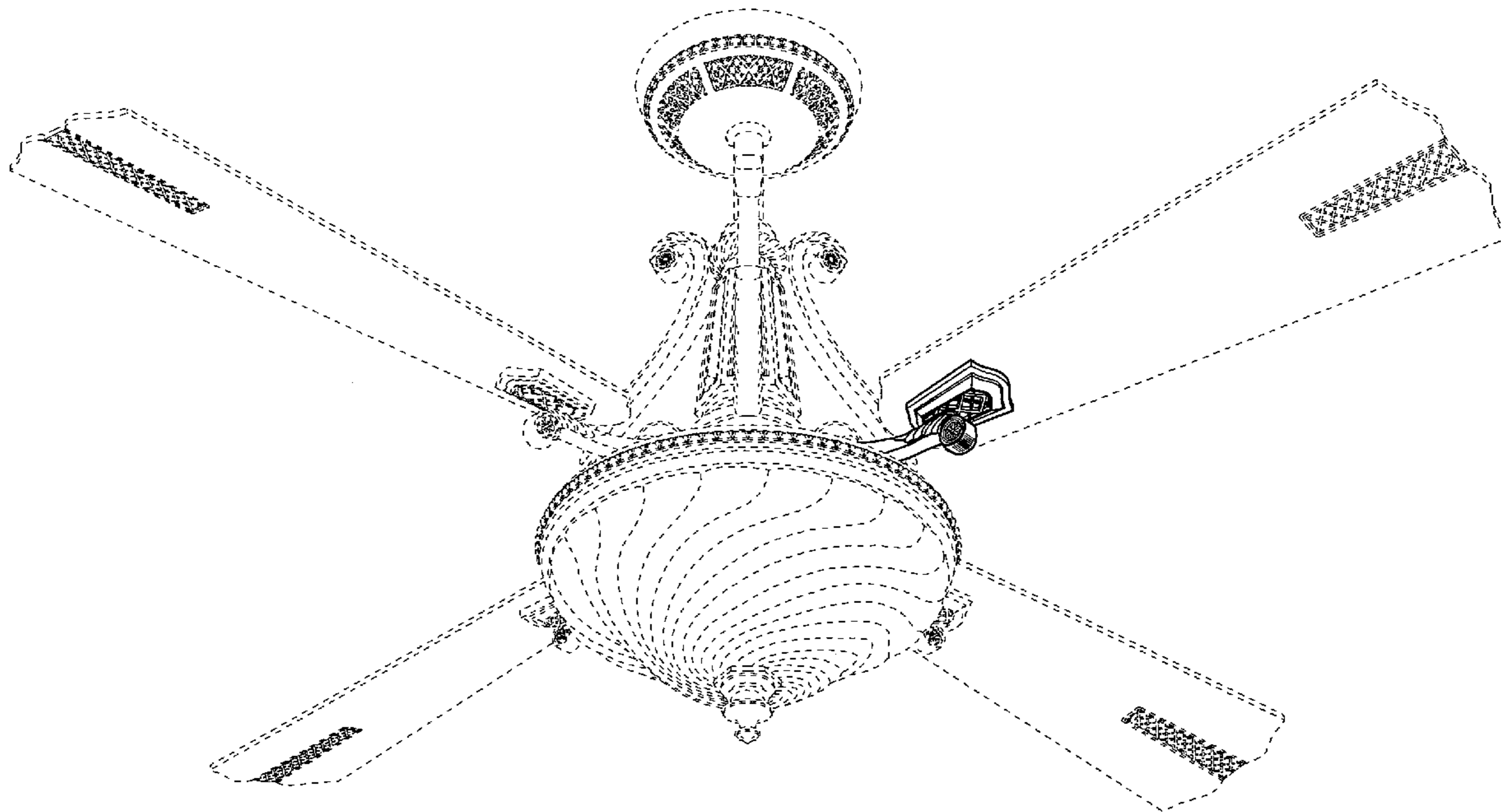
FIG. 4 is an enlarged top plan view of the blade iron in accordance with my design;

FIG. 5 is an enlarged front elevation view of the blade iron in accordance with my design; and,

FIG. 6 is an enlarged back elevation view of the blade iron in accordance with my design.

The broken line showing of the canopy, scrolls, fan blades, motor housing, light fixture and three blade irons is included for the purpose of illustrating environmental structure and forms no part of the claimed design.

1 Claim, 2 Drawing Sheets



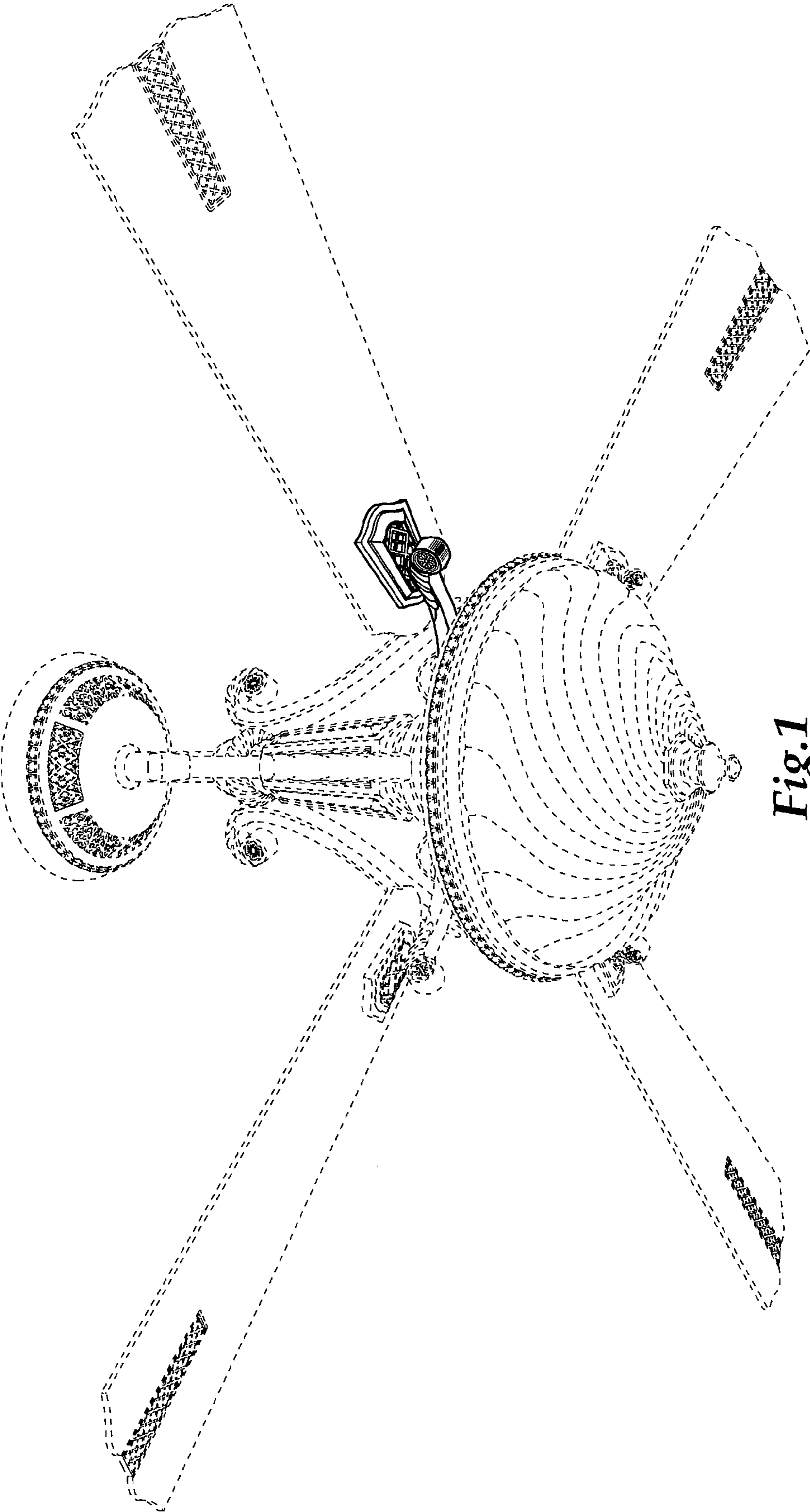


Fig.1

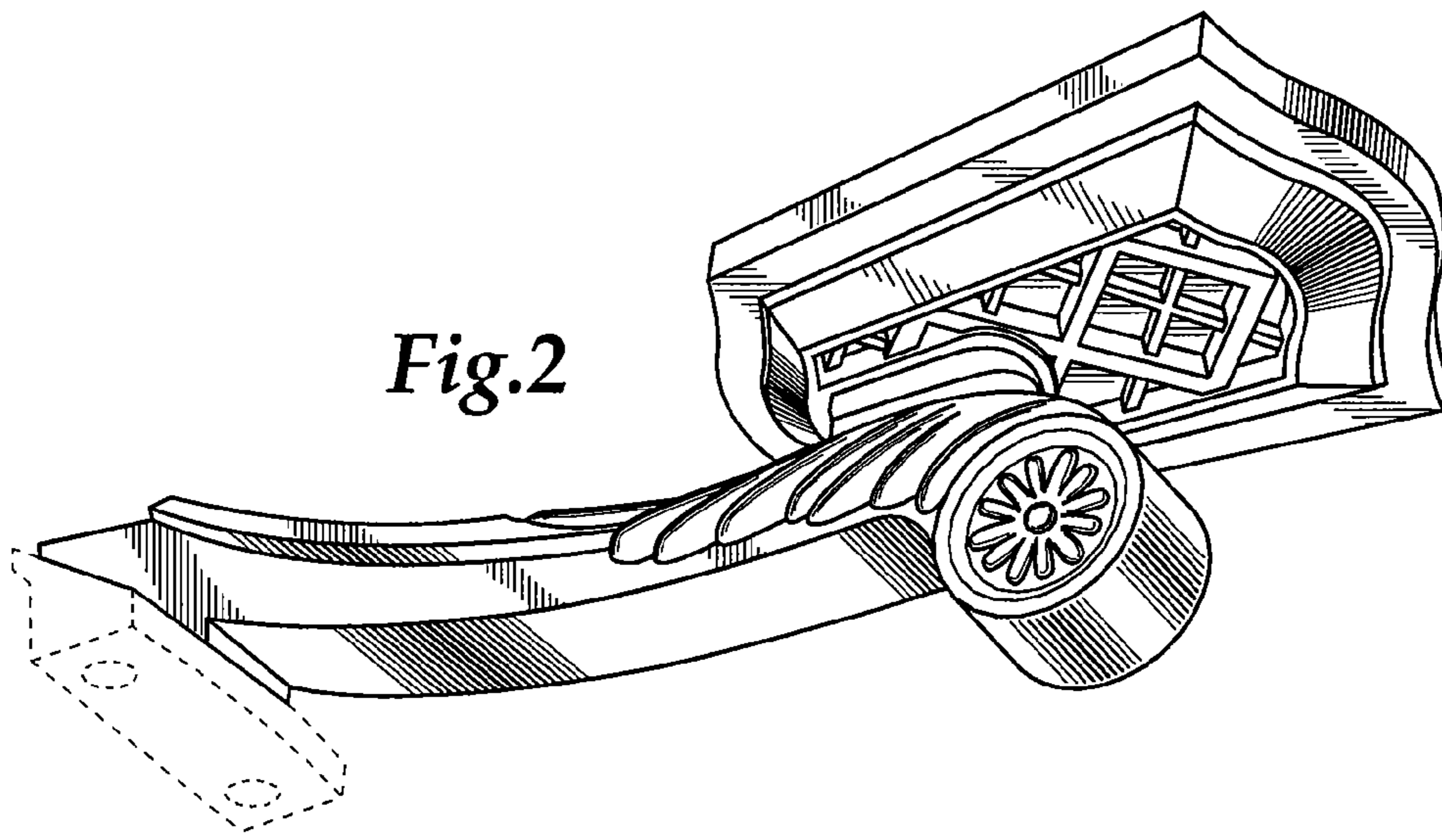


Fig. 2

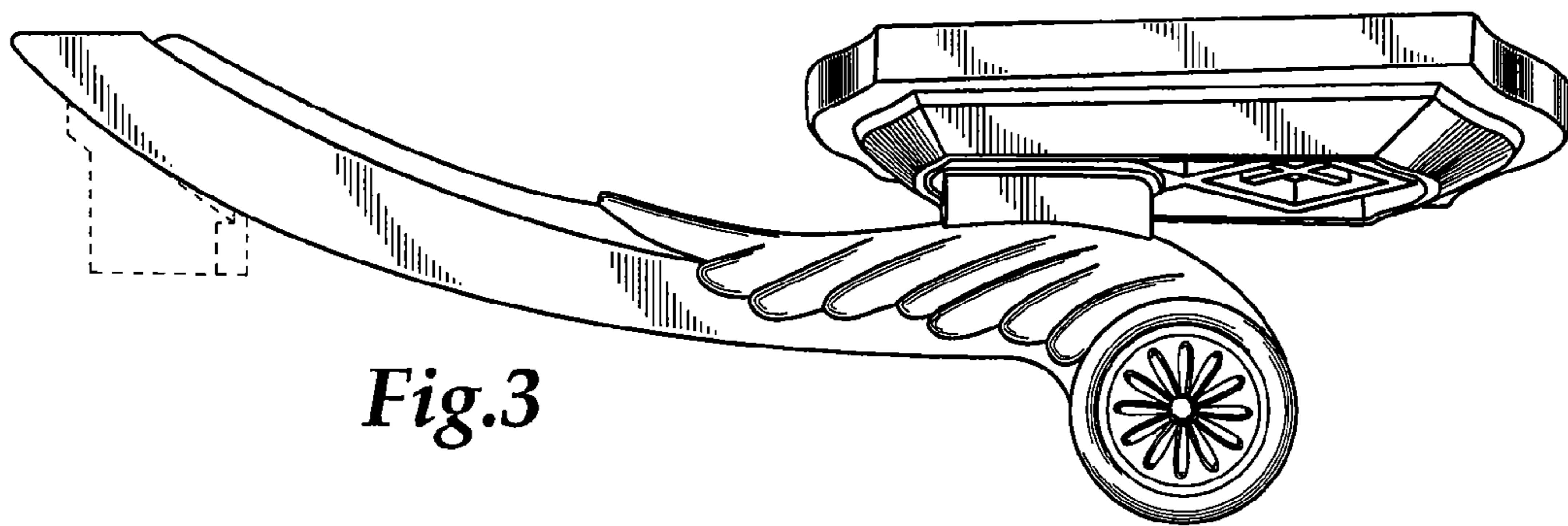


Fig. 3

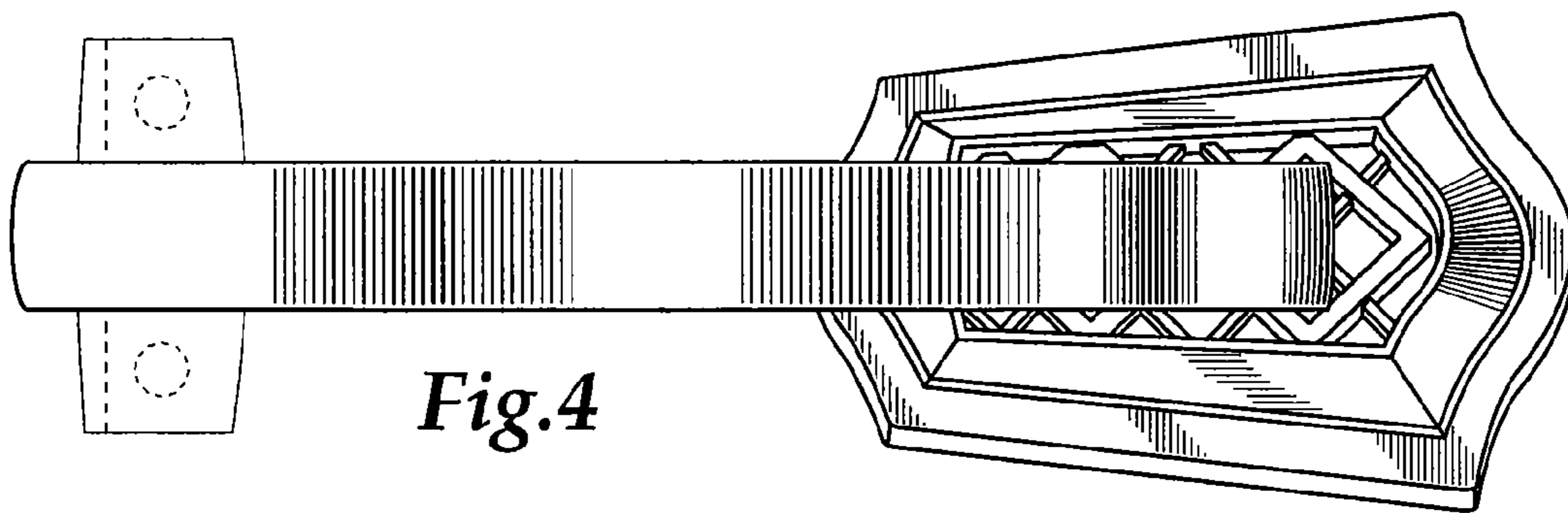


Fig. 4

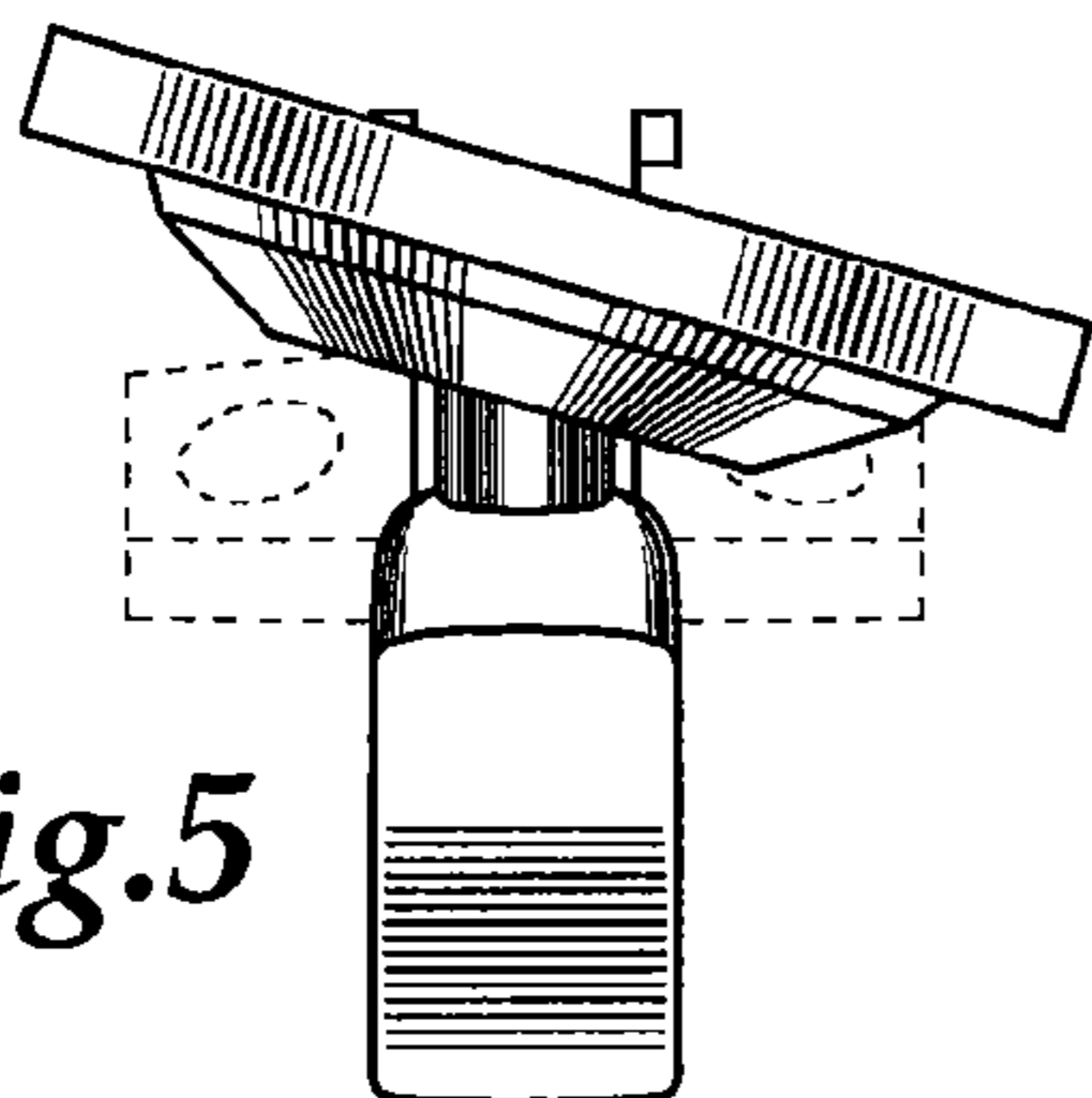


Fig. 5

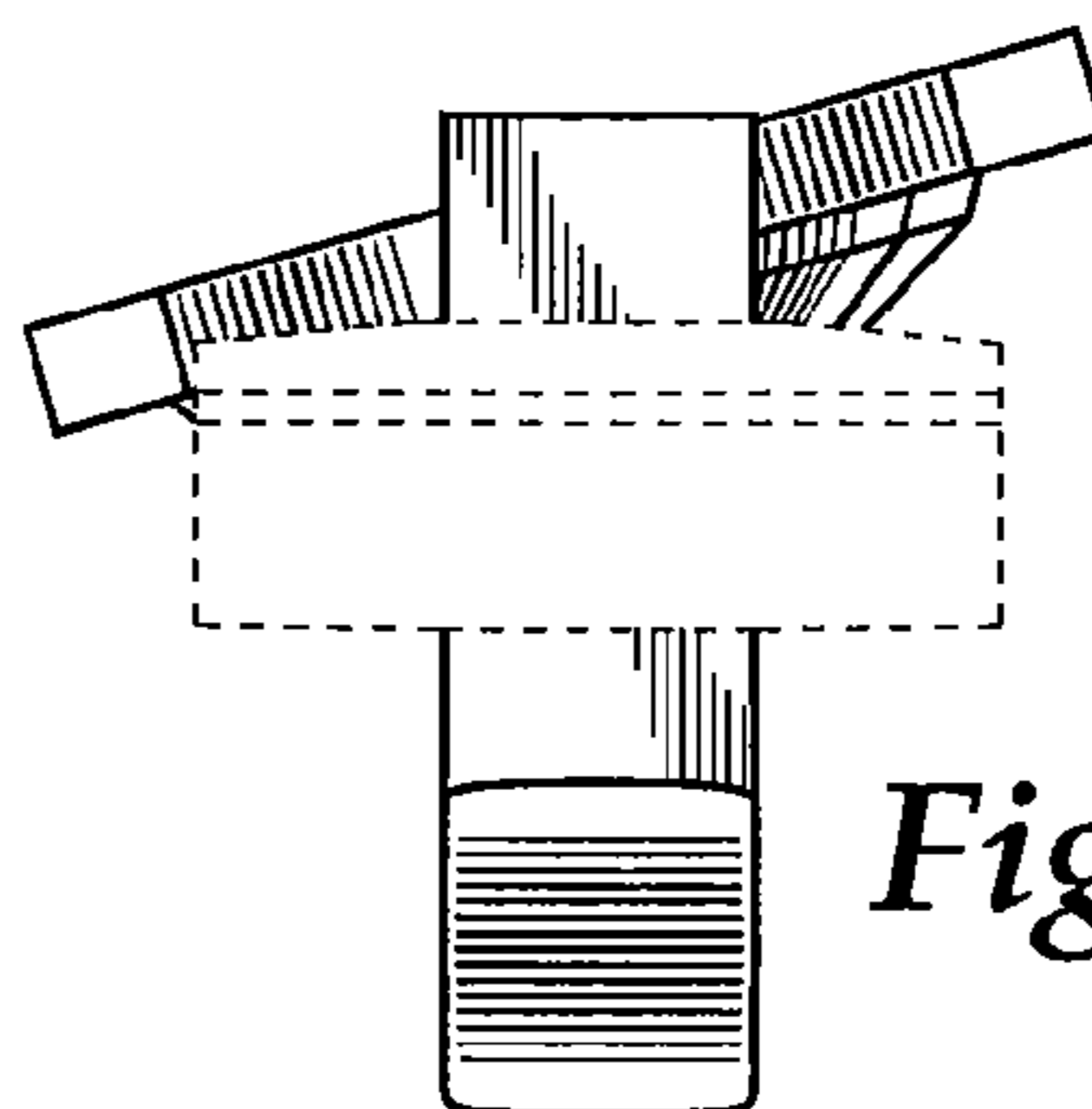


Fig. 6