



US00D570992S

(12) **United States Design Patent**  
**Hidalgo**

(10) **Patent No.:** **US D570,992 S**  
(45) **Date of Patent:** **\*\* Jun. 10, 2008**

(54) **DOWNROD**

(57) **CLAIM**

(75) Inventor: **Rolando Hidalgo**, Orange, CA (US)

The ornamental design for a downrod, as shown and described.

(73) Assignee: **Minka Lighting, Inc.**, Corona, CA (US)

(\*\*) Term: **14 Years**

**DESCRIPTION**

(21) Appl. No.: **29/250,217**

FIG. 1 is a perspective view from below of a downrod in accordance with my design;

(22) Filed: **Nov. 7, 2006**

FIG. 2 is a front elevation view of the downrod in accordance with my design, the opposite view being a mirror image of that shown;

(51) **LOC (8) Cl.** ..... **23-04**

(52) **U.S. Cl.** ..... **D23/411**

(58) **Field of Classification Search** ..... D23/377,  
D23/379, 385, 411, 413; 416/5; D26/59,  
D26/51, 72, 80-86, 73

FIG. 3 is a side elevation view of the downrod in accordance with my design, the opposite view being a mirror image of that shown;

FIG. 4 is an enlarged perspective view from above of the downrod in accordance with my design;

See application file for complete search history.

FIG. 5 is an enlarged front elevation view of the downrod in accordance with my design, the opposite view being a mirror image of that shown;

(56) **References Cited**

**U.S. PATENT DOCUMENTS**

D526,407 S \* 8/2006 Pickett ..... D23/411

FIG. 6 is an enlarged side elevation view of the downrod in accordance with my design, the opposite view being a mirror image of that shown;

**OTHER PUBLICATIONS**

U.S. Appl. No. 29/250,222 filed on Nov. 7, 2006.

U.S. Appl. No. 29/250,214 filed on Nov. 7, 2006.

Designers Fountain Internet Catalog; Toscano Collection; Model 5813-PVL; printed from arcadianlighting.com on Nov. 10, 2006.

Murray Feiss Internet Catalog; Cambridge Collection; Model MFI-9313PCN; printed from lamps-lighting.com on Nov. 10, 2006.

FIG. 7 is an enlarged bottom plan view of the downrod in accordance with my design; and,

FIG. 8 is an enlarged top plan view of the downrod in accordance with my design.

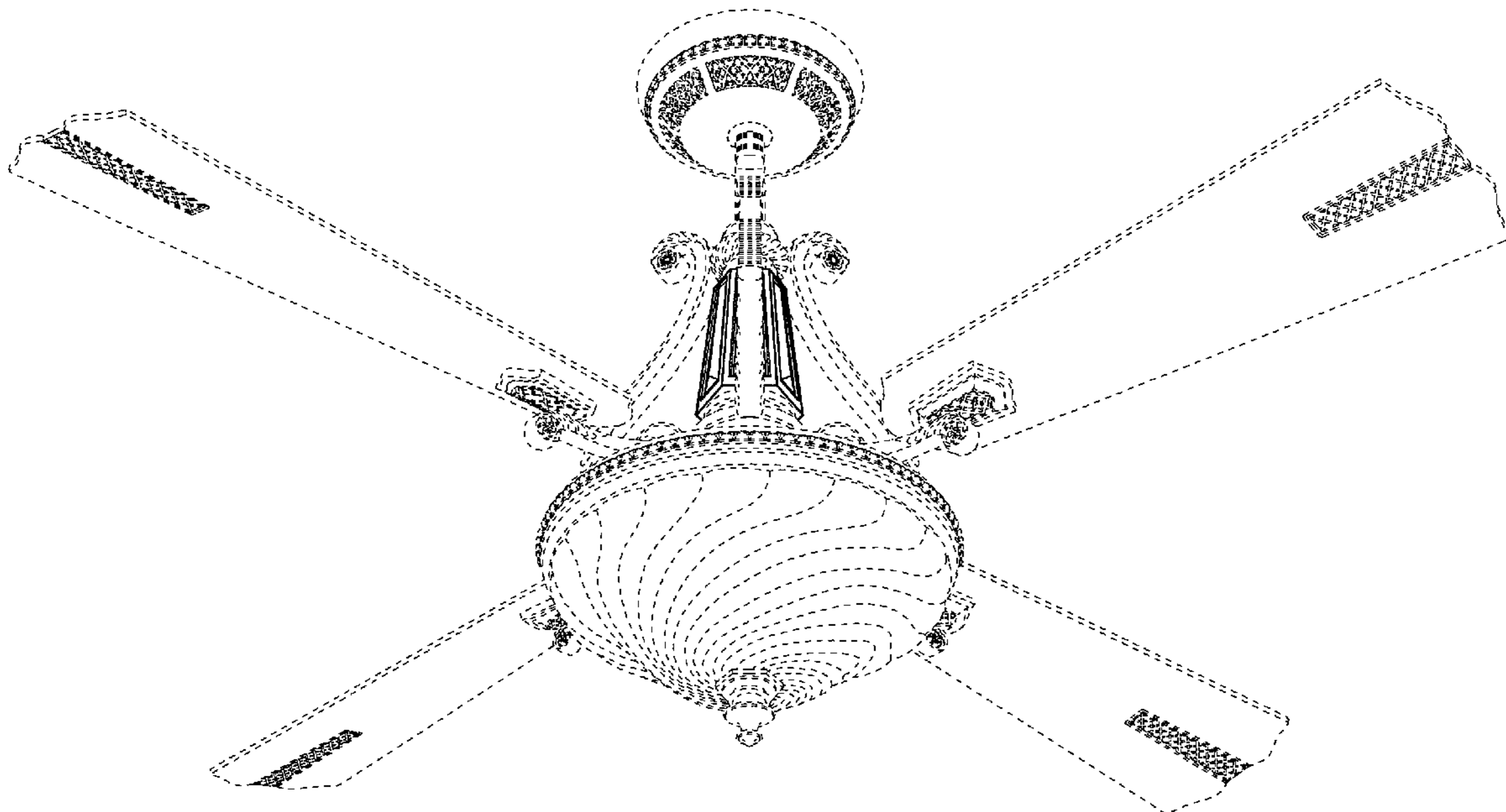
\* cited by examiner

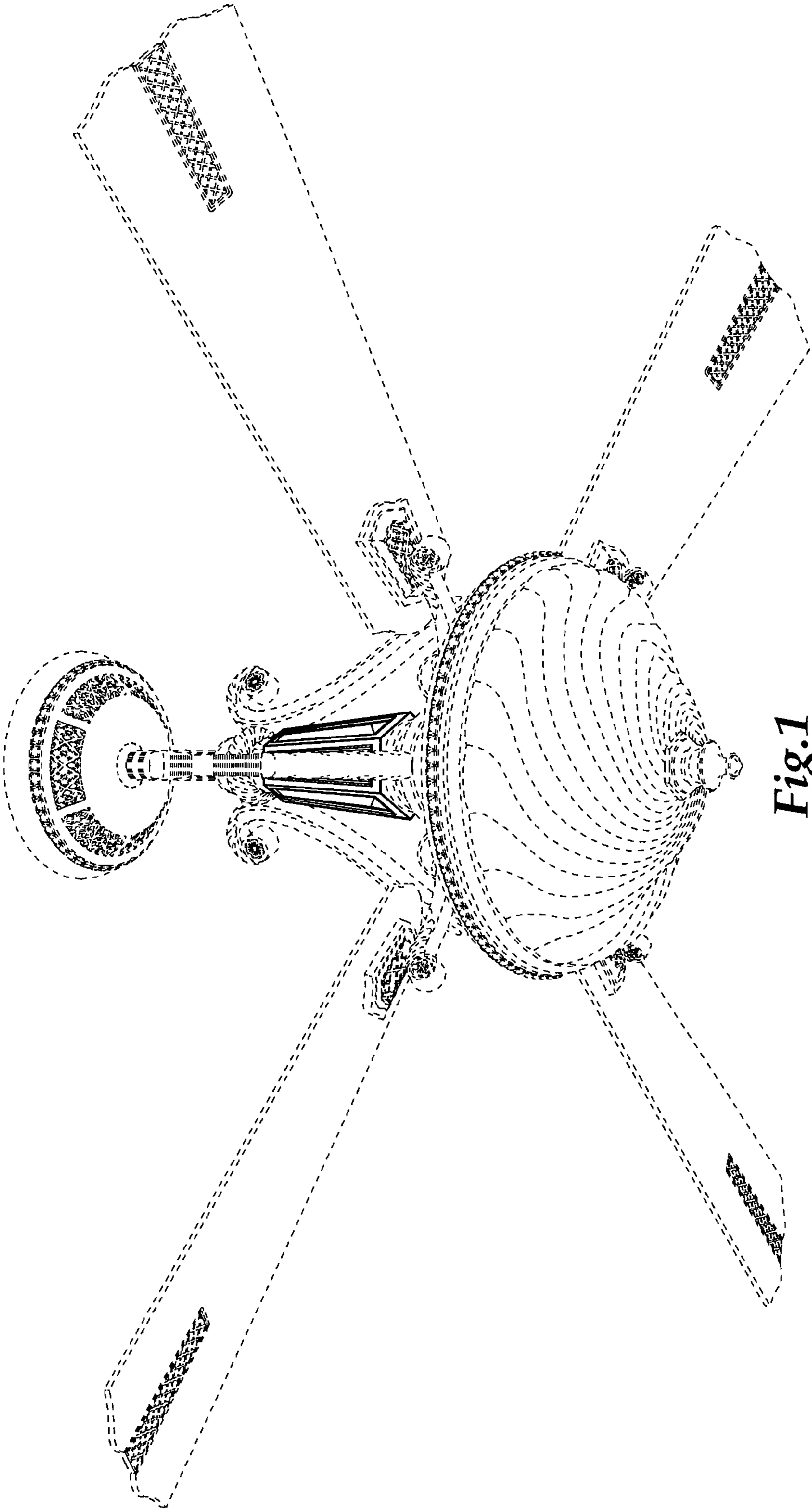
The broken line showing of the canopy, scrolls, fan blades, motor housing, light fixture, blade irons and finial is included for the purpose of illustrating environmental structure and forms no part of the claimed design.

*Primary Examiner*—Lisa Lichtenstein

(74) *Attorney, Agent, or Firm*—Baker & McKenzie LLP

**1 Claim, 4 Drawing Sheets**





*Fig. 1*

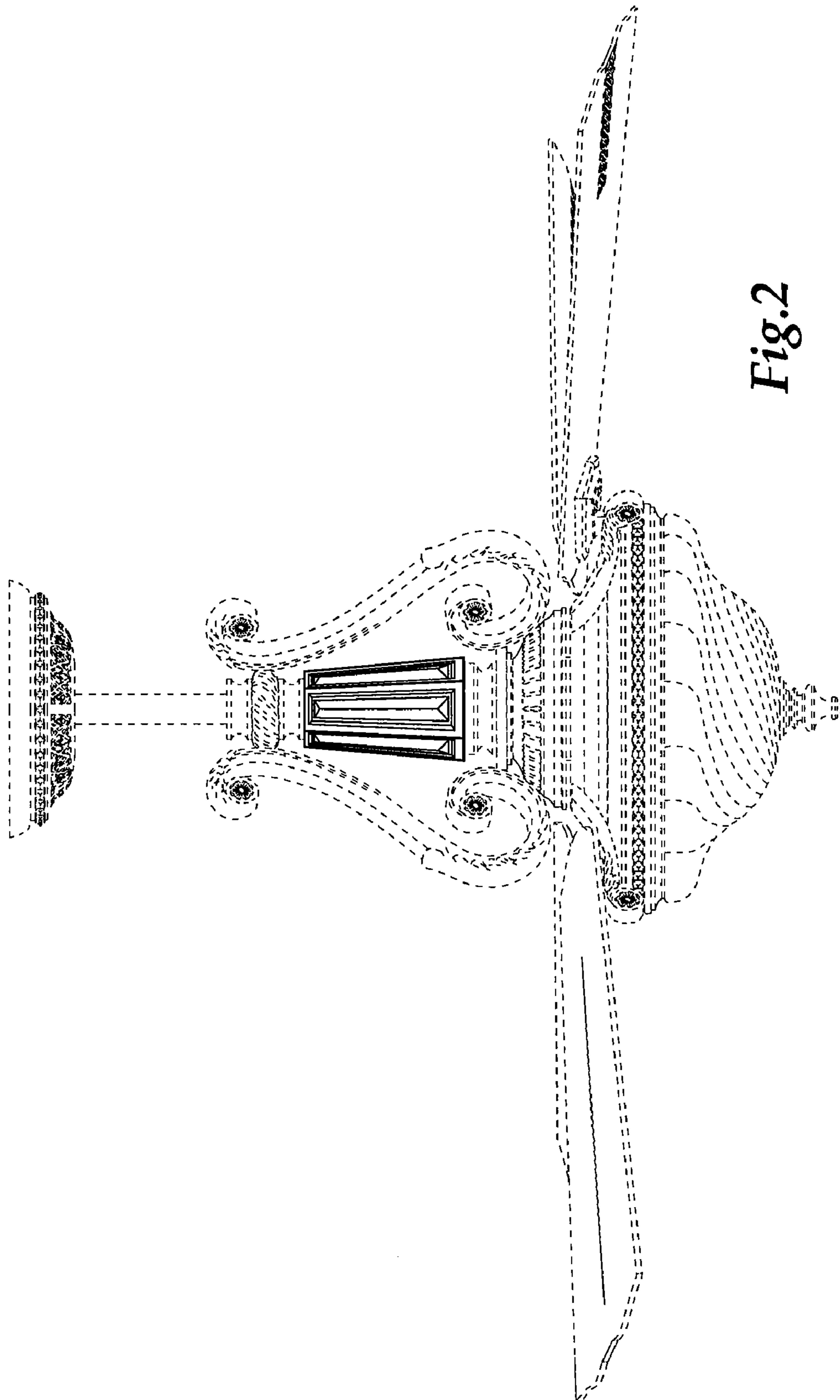


Fig. 2

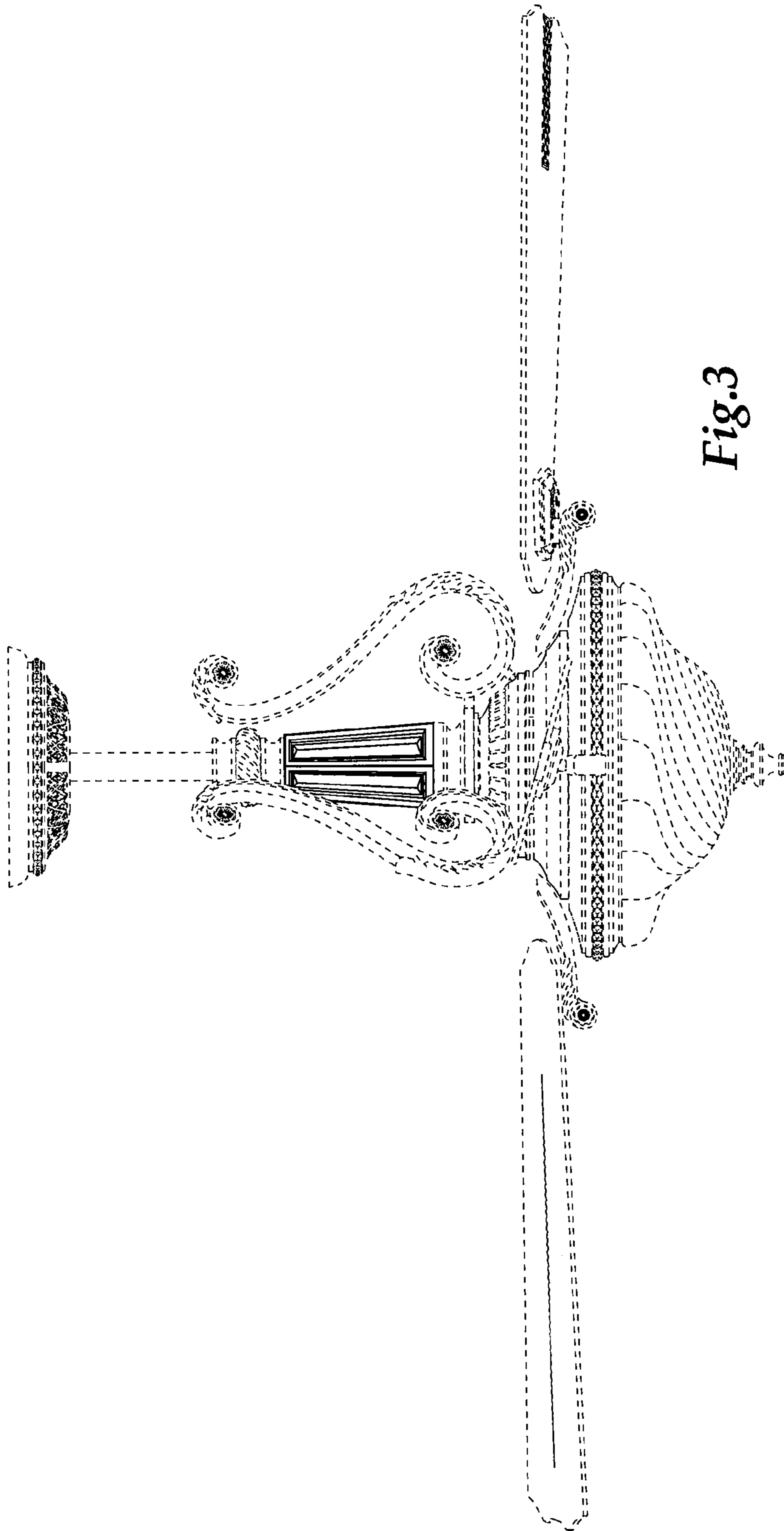
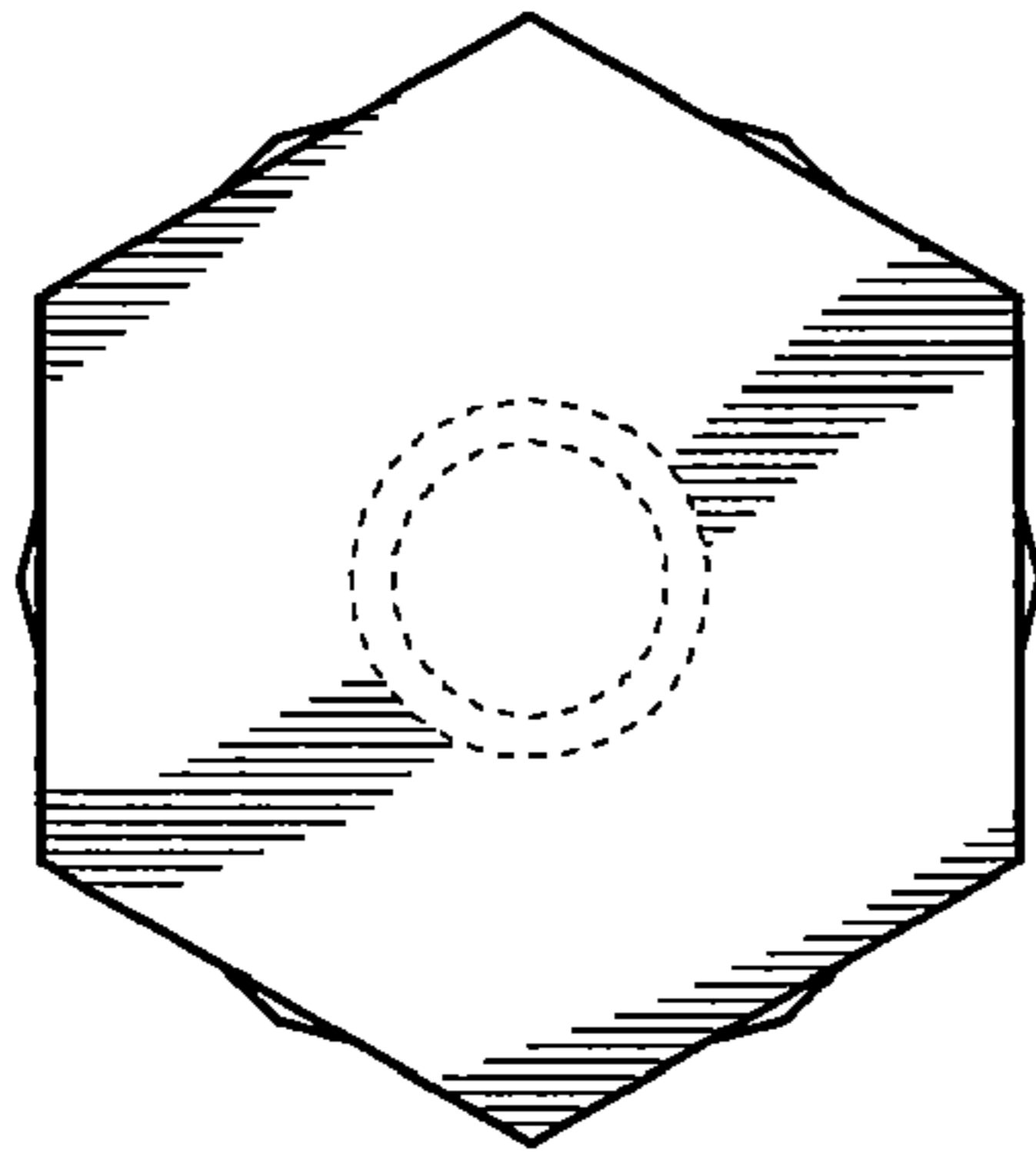
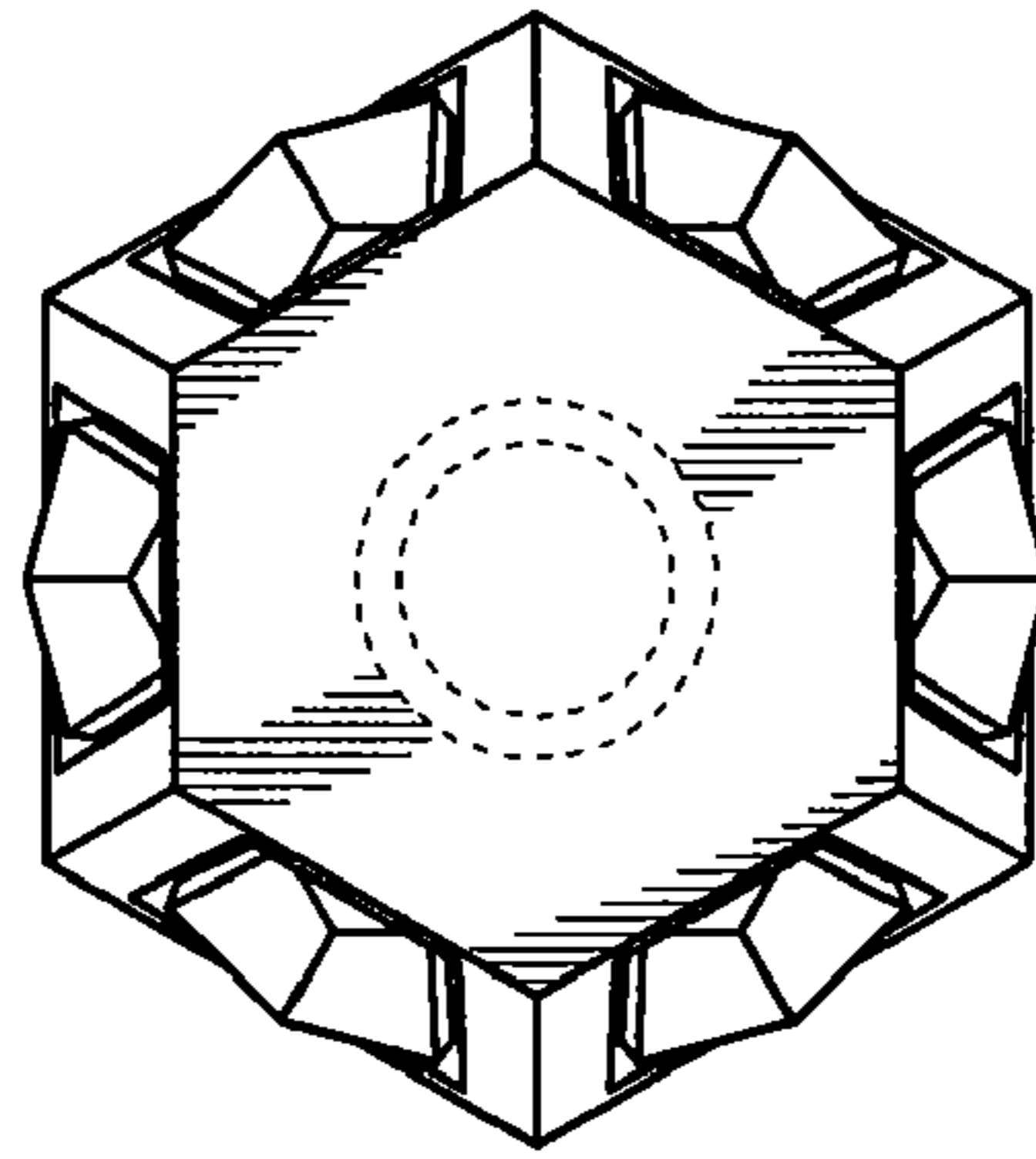


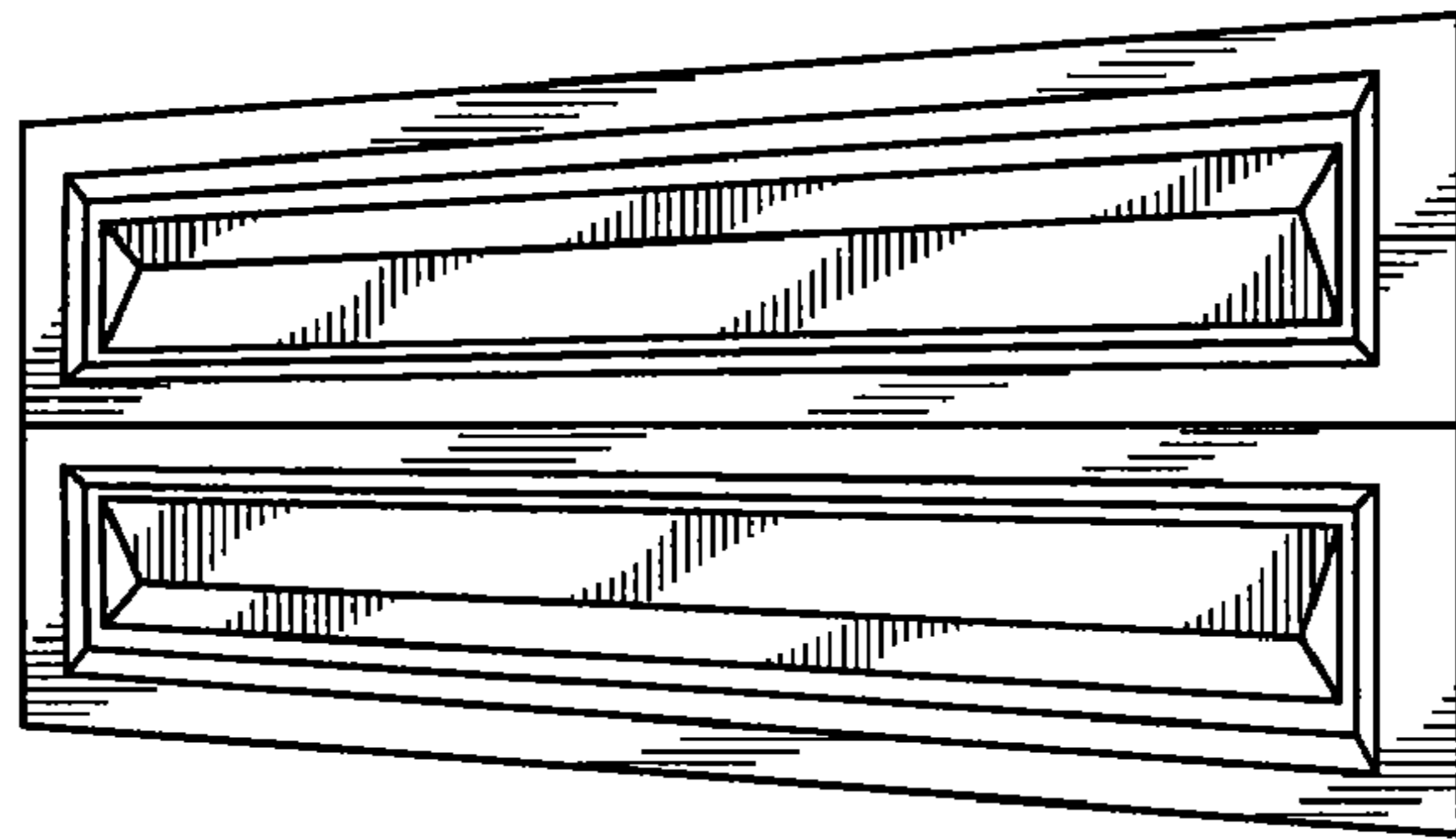
Fig.3



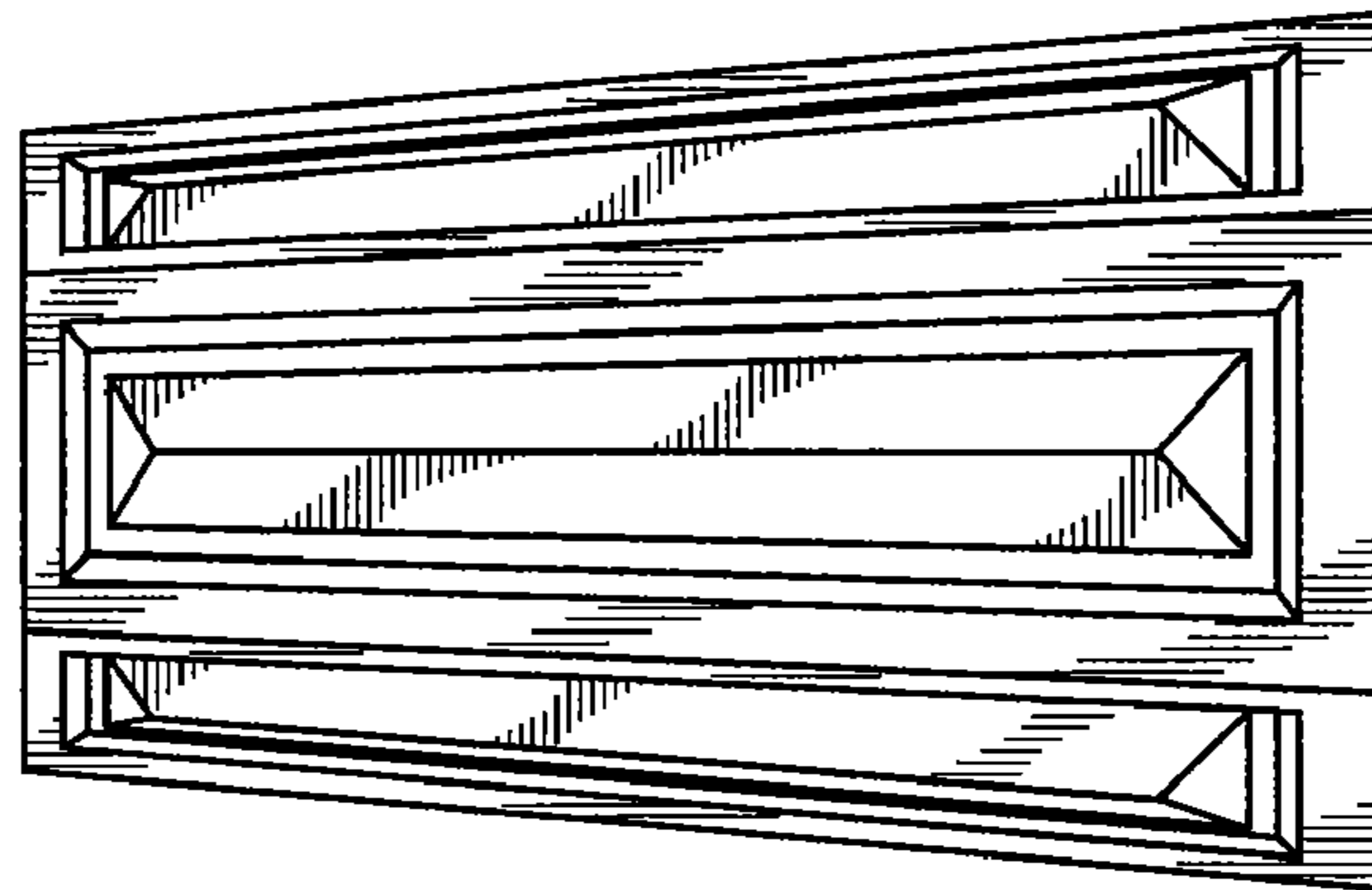
*Fig. 7*



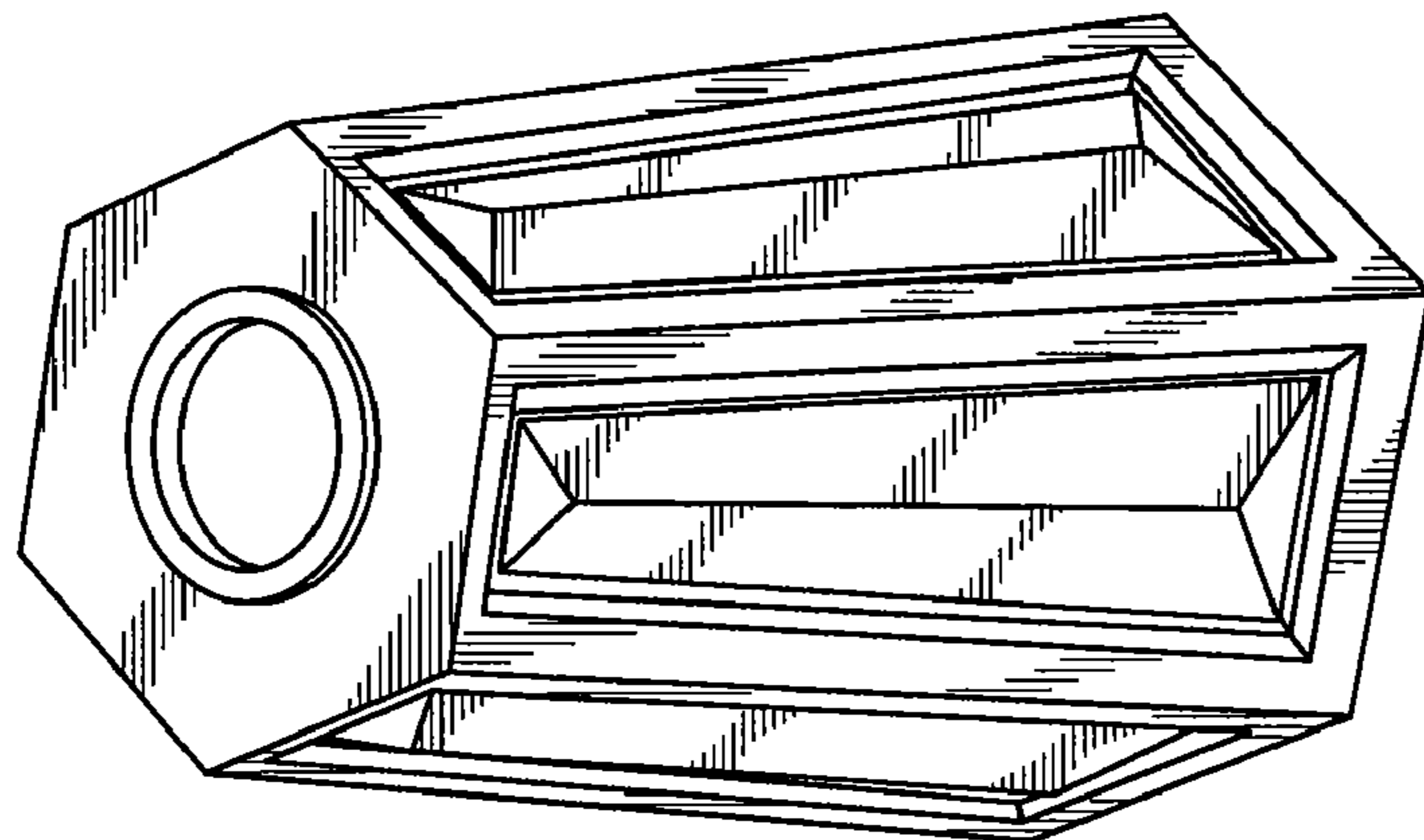
*Fig. 8*



*Fig. 6*



*Fig. 5*



*Fig. 4*