



US00D570990S

(12) **United States Design Patent**
Hidalgo

(10) **Patent No.:** **US D570,990 S**
(45) **Date of Patent:** **** Jun. 10, 2008**

- (54) **CEILING FAN BLADE IRON**
- (75) Inventor: **Rolando Hidalgo**, Orange, CA (US)
- (73) Assignee: **Minka Lighting, Inc.**, Corona, CA (US)
- (**) Term: **14 Years**
- (21) Appl. No.: **29/249,973**
- (22) Filed: **Oct. 27, 2006**

- (51) **LOC (8) Cl.** **23-04**
- (52) **U.S. Cl.** **D23/411**
- (58) **Field of Classification Search** D23/377,
D23/379, 385, 411, 413; 416/5; D26/59,
D26/51, 72, 80-86, 73
See application file for complete search history.

(56) **References Cited**

U.S. PATENT DOCUMENTS

D345,206 S *	3/1994	DiPasquale	D23/411
D367,321 S *	2/1996	Holbrook	D23/411
D378,404 S	3/1997	Jaspers-Fayer		
D393,711 S *	4/1998	Gee et al.	D23/411
D428,134 S *	7/2000	Liu	D23/411
D436,659 S *	1/2001	Campbell	D23/411
D514,690 S	2/2006	Flores		
D521,627 S	5/2006	Flores		
D522,122 S	5/2006	Flores		
D522,649 S *	6/2006	Burns	D23/411
D531,304 S *	10/2006	Shurtleff	D23/411
D532,104 S *	11/2006	Pickett	D23/411

OTHER PUBLICATIONS

U.S. Appl. No. 29/249,967 filed Oct. 27, 2006.

MinkaAire Internet Catalog; Napoli ceiling fan; Model F-705; printed from minkagroup.net on Nov. 10, 2006.
MinkaAire Internet Catalog; Classique ceiling fan; Model F-500; printed from minkagroup.net on Nov. 10, 2006.

* cited by examiner

Primary Examiner—Lisa Lichtenstein
(74) *Attorney, Agent, or Firm*—Baker & McKenzie LLP

(57) **CLAIM**

The ornamental design for a ceiling fan blade iron, as shown and described.

DESCRIPTION

FIG. 1 is a perspective view from below of a ceiling fan blade iron in accordance with my design;

FIG. 2 is an enlarged perspective view from below of the ceiling fan blade iron in accordance with my design;

FIG. 3 is an enlarged front elevation view of the ceiling fan blade iron in accordance with my design;

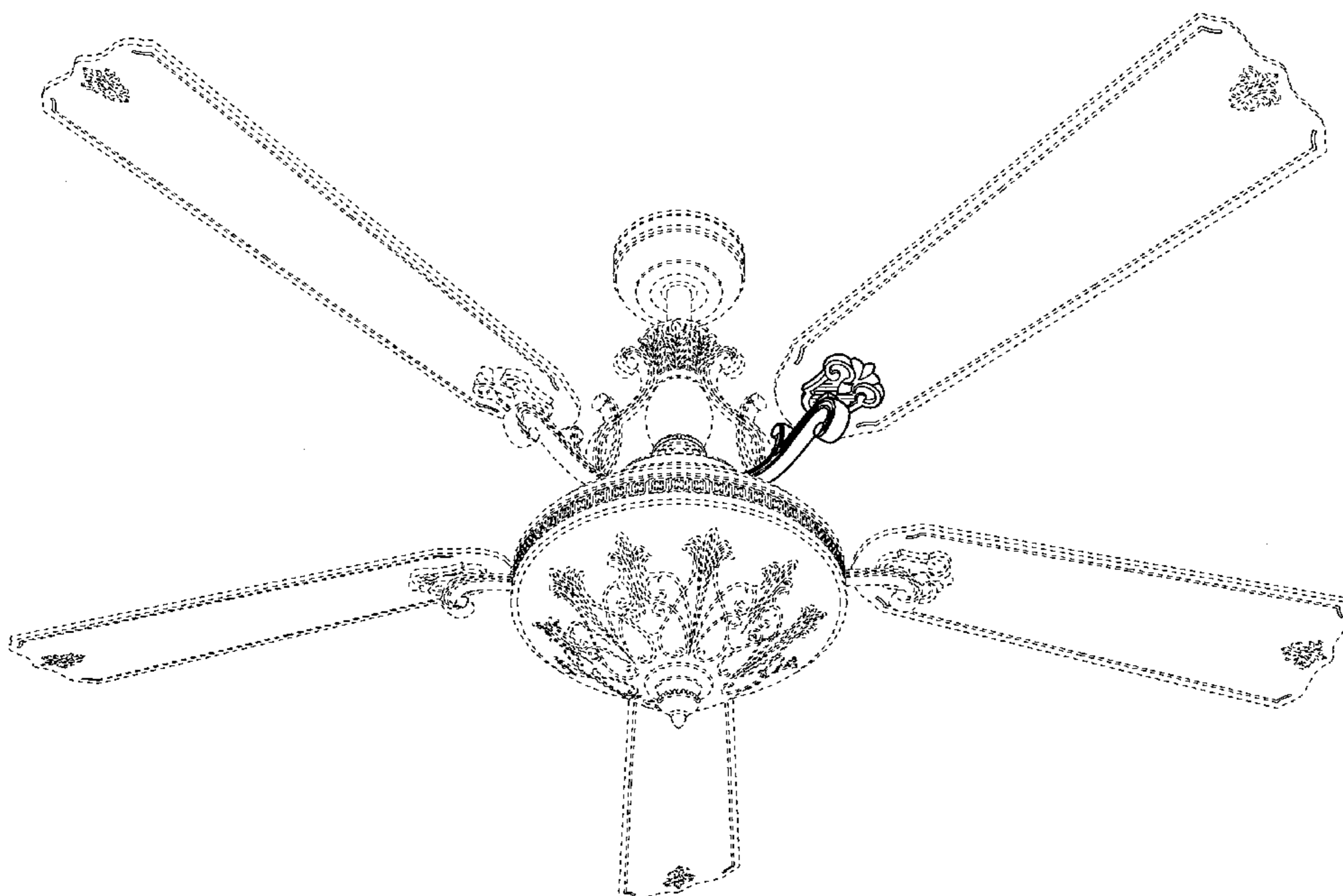
FIG. 4 is an enlarged top plan view of the ceiling fan blade iron in accordance with my design; and,

FIG. 5 is an enlarged side elevation view of the ceiling fan blade iron in accordance with my design, the opposite side being a mirror image of that shown.

The broken lines showing environmental structure are for illustrative purposes and form no part of the claimed design.

The broken line showing of the fan blade attachment element is included for the purpose of illustrating environmental structure and forms no part of the claimed design.

1 Claim, 2 Drawing Sheets



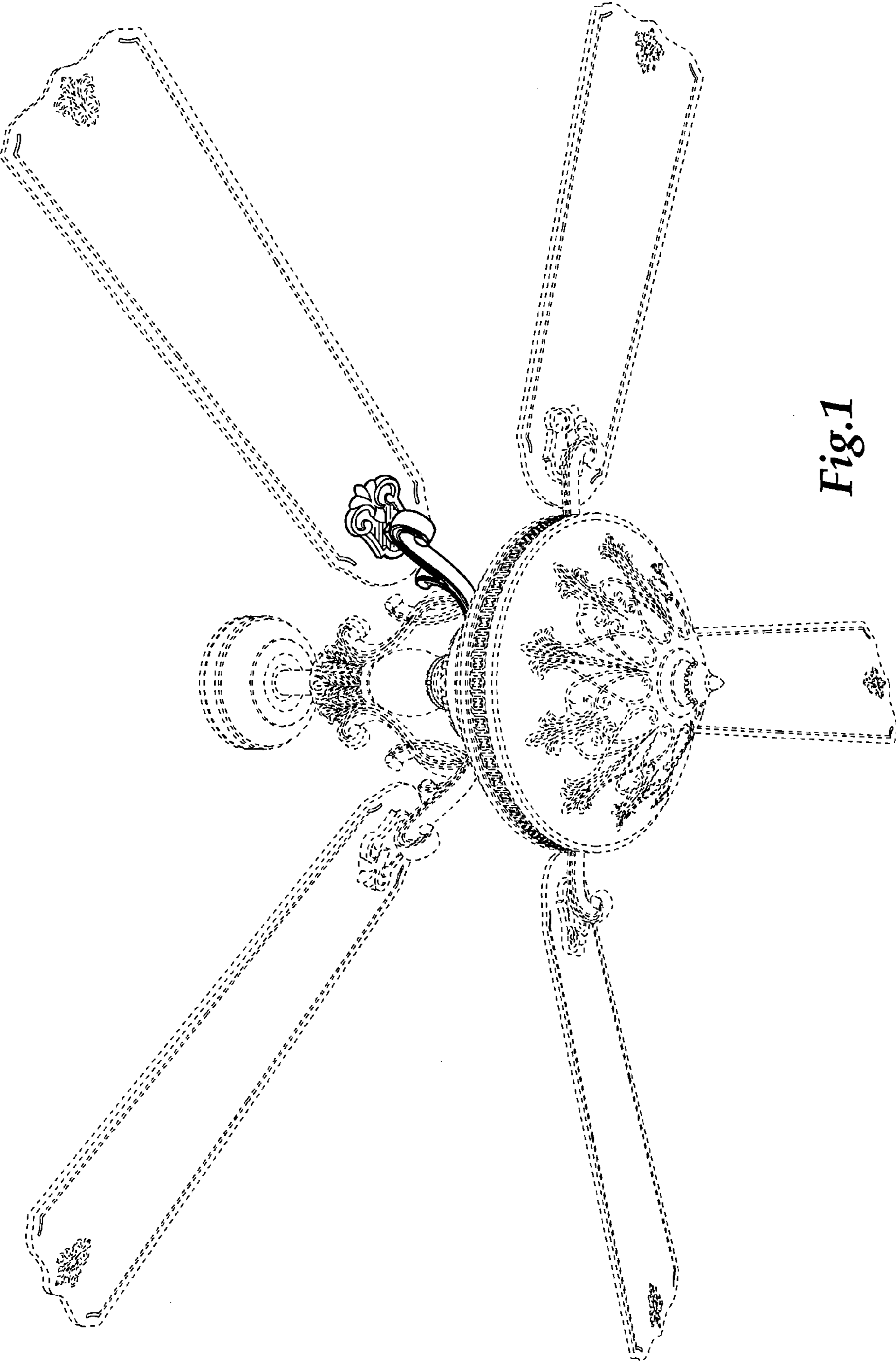


Fig. 1

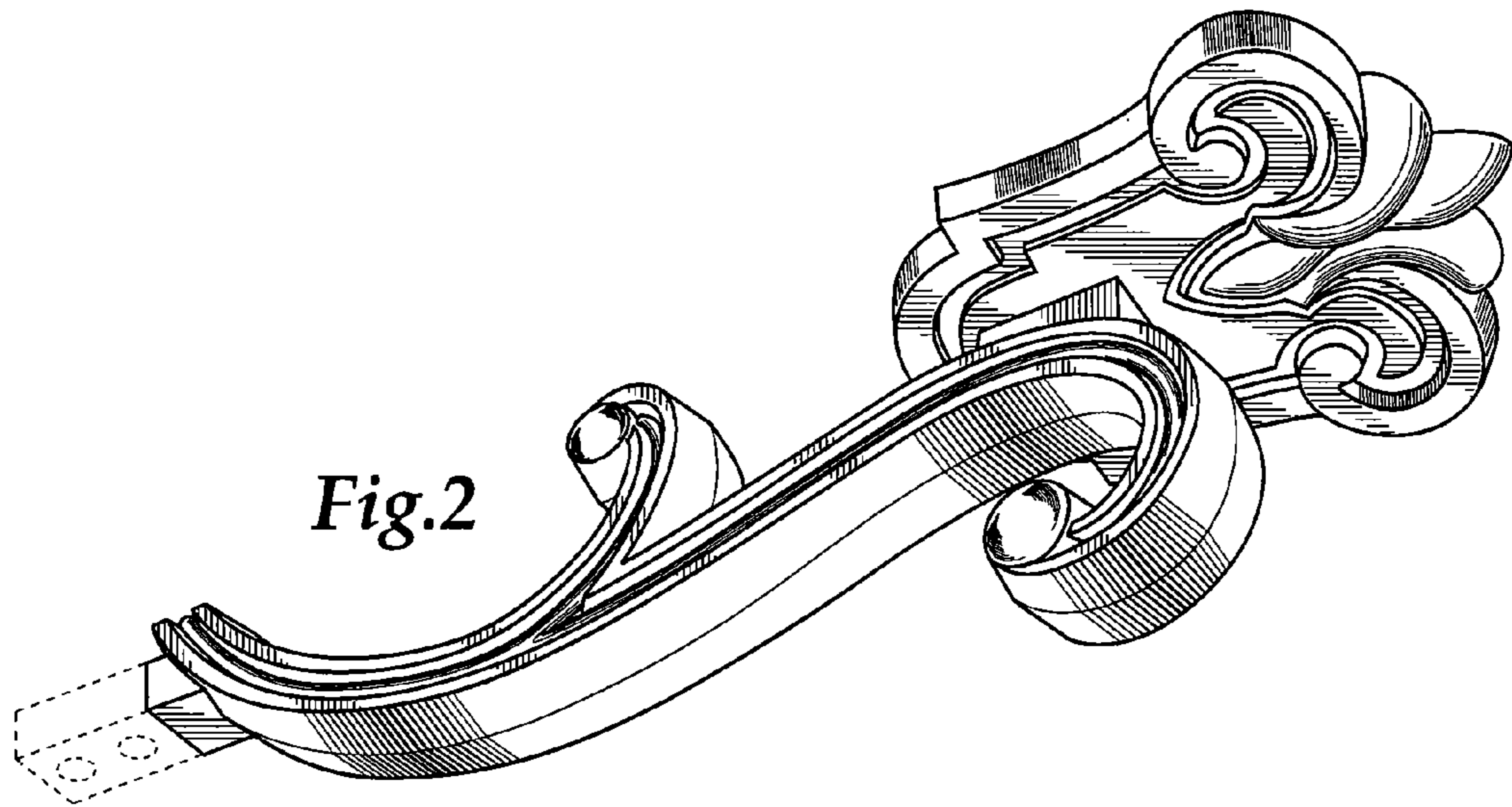


Fig.2

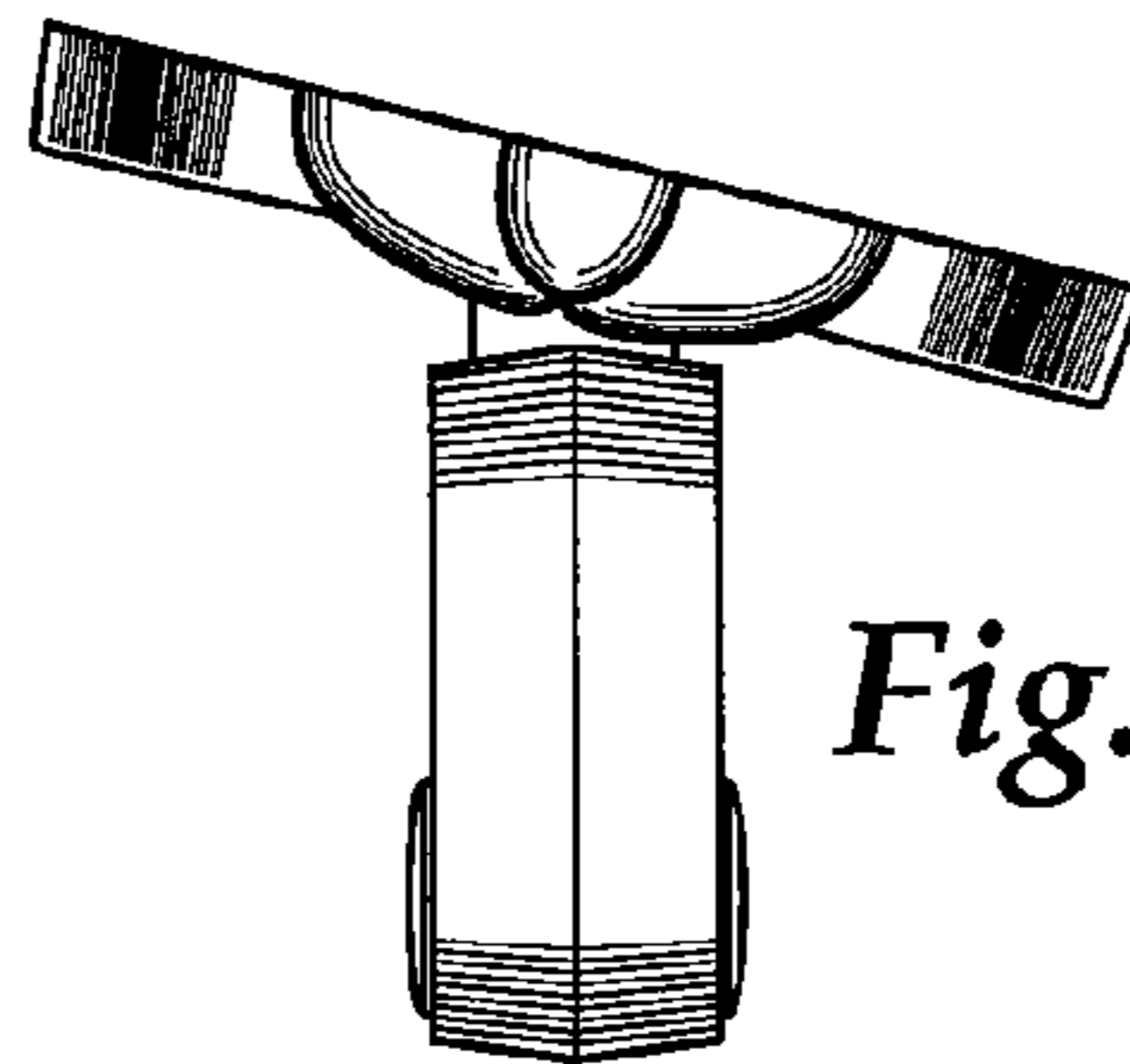


Fig.3

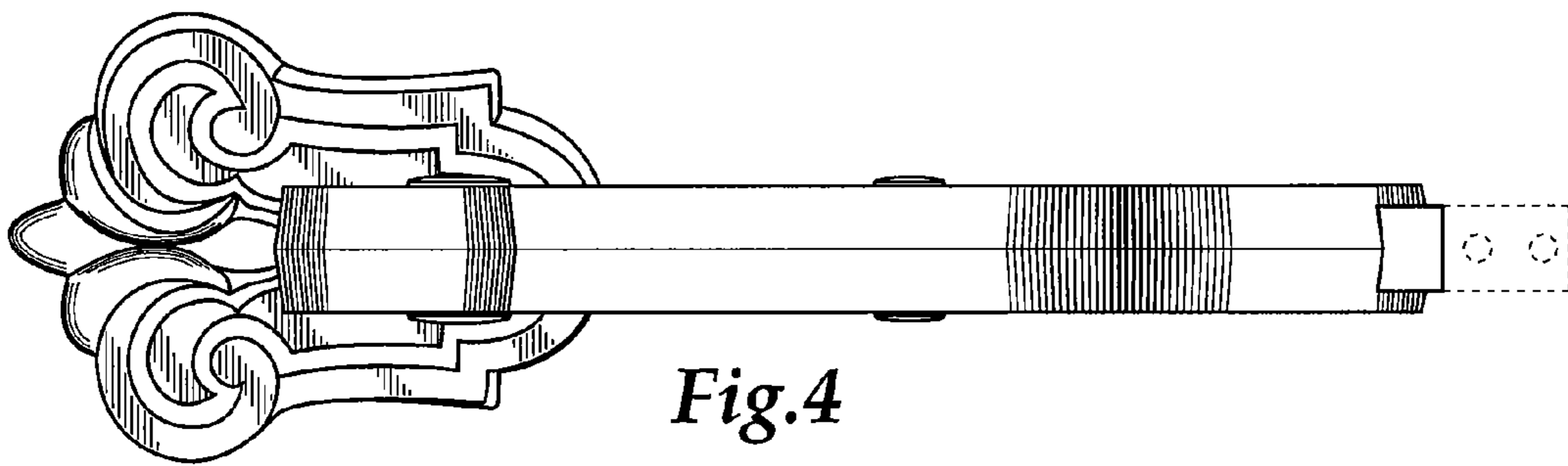


Fig.4

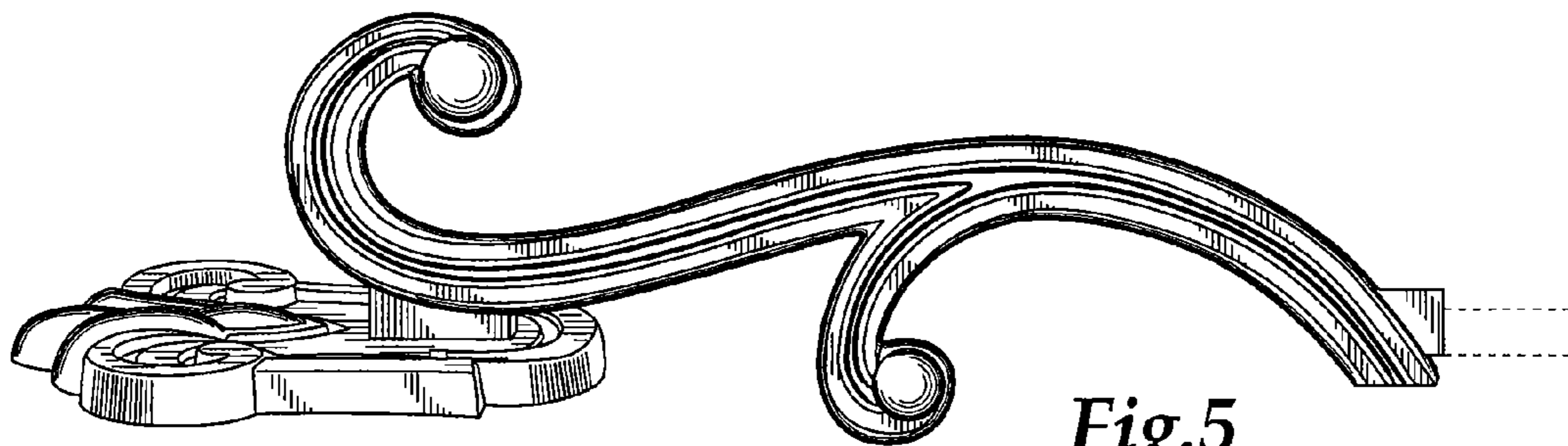


Fig.5