



US00D570987S

(12) **United States Design Patent**  
**Hidalgo**

(10) **Patent No.:** **US D570,987 S**  
(45) **Date of Patent:** **\*\* Jun. 10, 2008**

(54) **COMBINATION CEILING FAN AND LIGHT FIXTURE**

(75) Inventor: **Rolando Hidalgo**, Orange, CA (US)

(73) Assignee: **Minka Lighting, Inc.**, Corona, CA (US)

(\*\*) Term: **14 Years**

(21) Appl. No.: **29/279,455**

(22) Filed: **May 1, 2007**

(51) **LOC (8) Cl.** ..... **23-04**

(52) **U.S. Cl.** ..... **D23/377; 23/379; 26/59**

(58) **Field of Classification Search** ..... D23/411,  
D23/413, 377, 379, 385; 416/5; D26/59  
See application file for complete search history.

(56) **References Cited**

**U.S. PATENT DOCUMENTS**

D513,073 S	12/2005	Hidalgo	
D513,315 S	12/2005	Hidalgo	
D514,685 S	2/2006	Flores	
D517,189 S	3/2006	Hidalgo	
D522,135 S *	5/2006	Hidalgo	D23/411
D522,137 S *	5/2006	Chen	D23/411
D526,401 S *	8/2006	Hidalgo	D23/377
D528,199 S	9/2006	Hidalgo	

**OTHER PUBLICATIONS**

U.S. Appl. No. 29/250,244, filed May 1, 2007.  
Fanimation Internet Catalog; Belleria ceiling fan; Model FP4320AN; printed from hansenwholesale.com on Apr. 25, 2007.  
Monte Carlo Internet Catalog; Daytona ceiling fan; Model 5DAFB; printed from hansenwholesale.com on Apr. 25, 2007.  
Concord Internet Catalog; New Yorker ceiling fan; Model 52NY5PE; printed from hansenwholesale.com on Apr. 25, 2007.

Minka-Lavery Catalog; 2007 edition; vol. 15; Jan. 18, 2006; pp. 23-29.

Murray Feiss Lighting Internet Catalog; Stirling Castle model F1918-12-1BRB; printed from www.fiveivers.com on Oct. 24, 2007.

\* cited by examiner

*Primary Examiner*—Lisa Lichtenstein

(74) *Attorney, Agent, or Firm*—Baker & McKenzie LLP

(57) **CLAIM**

The ornamental design for a combination ceiling fan and light fixture, as shown and described.

**DESCRIPTION**

FIG. 1 is a perspective view from below of a combination ceiling fan and light fixture in accordance with my design;

FIG. 2 is a reduced top plan view of the combination ceiling fan and light fixture in accordance with my design;

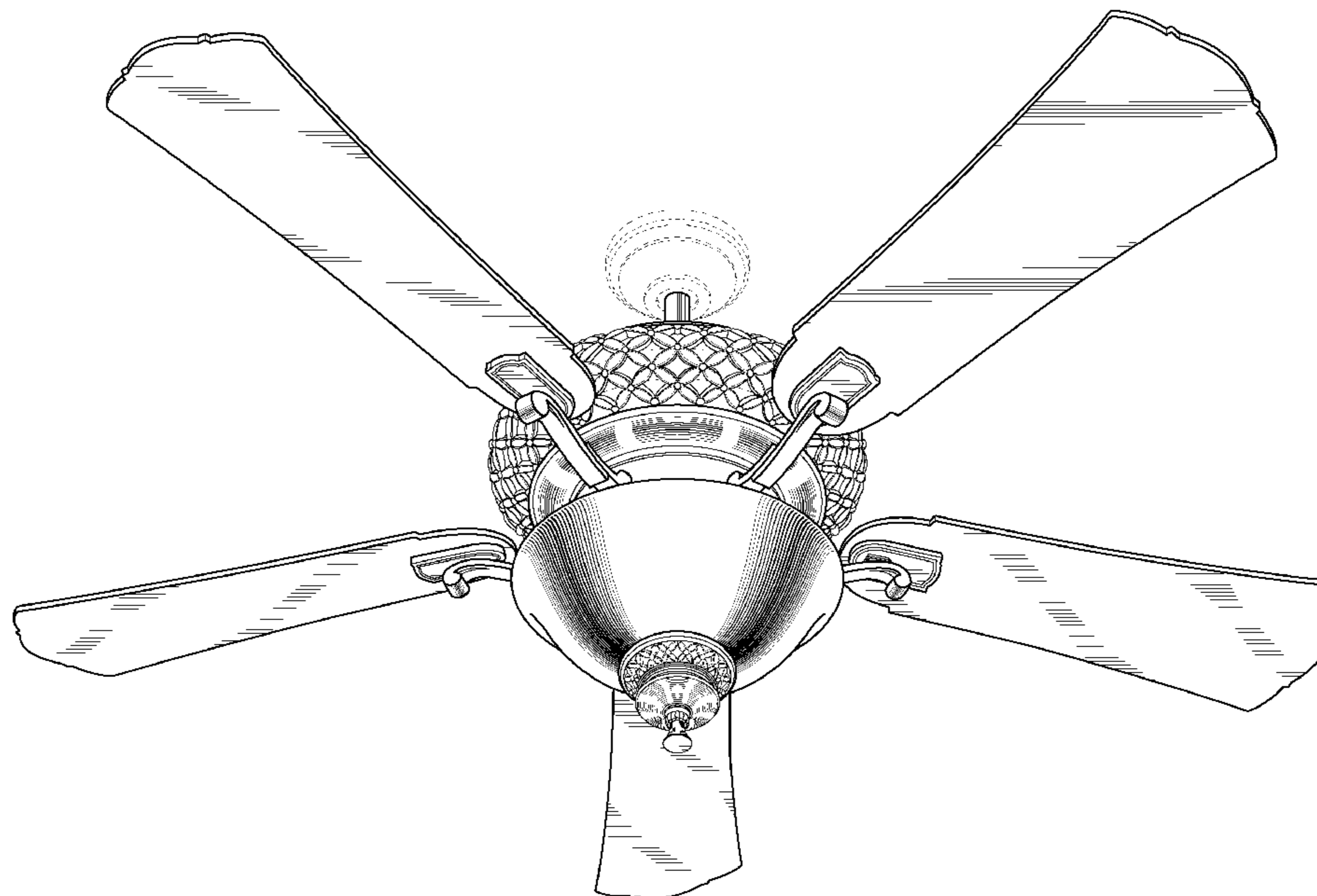
FIG. 3 is a reduced bottom plan view of the combination ceiling fan and light fixture in accordance with my design;

FIG. 4 is a front elevation view of the combination ceiling fan and light fixture in accordance with my design, the opposite view being a mirror image of that shown except for the position of the fan blades; and,

FIG. 5 is a side elevation view of the combination ceiling fan and light fixture in accordance with my design, the opposite view being a mirror image of that shown except for the position of the fan blades.

The broken line showing of the canopy and the opening for the support rod is included for the purpose of illustrating environmental structure and forms no part of the claimed design.

**1 Claim, 5 Drawing Sheets**



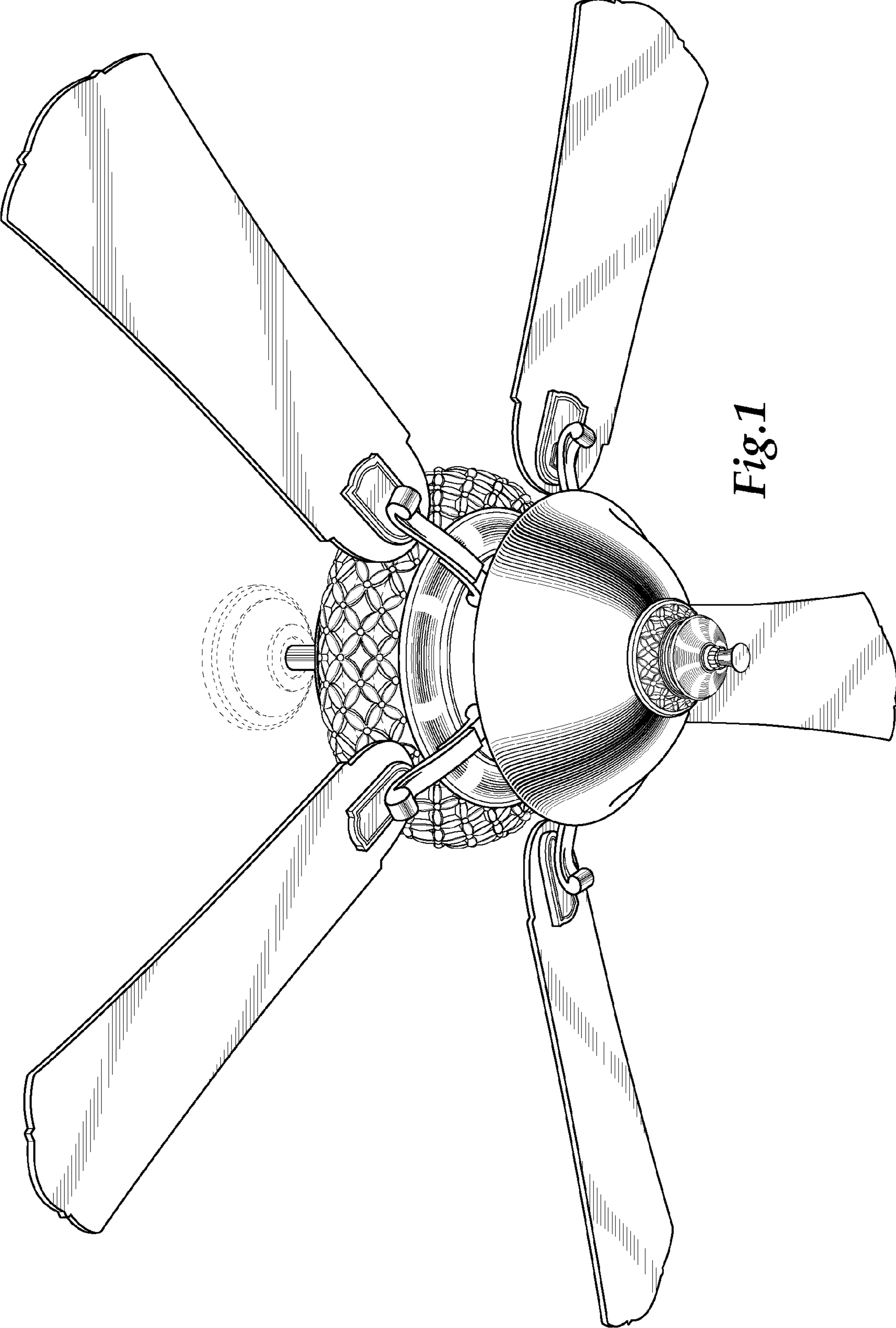
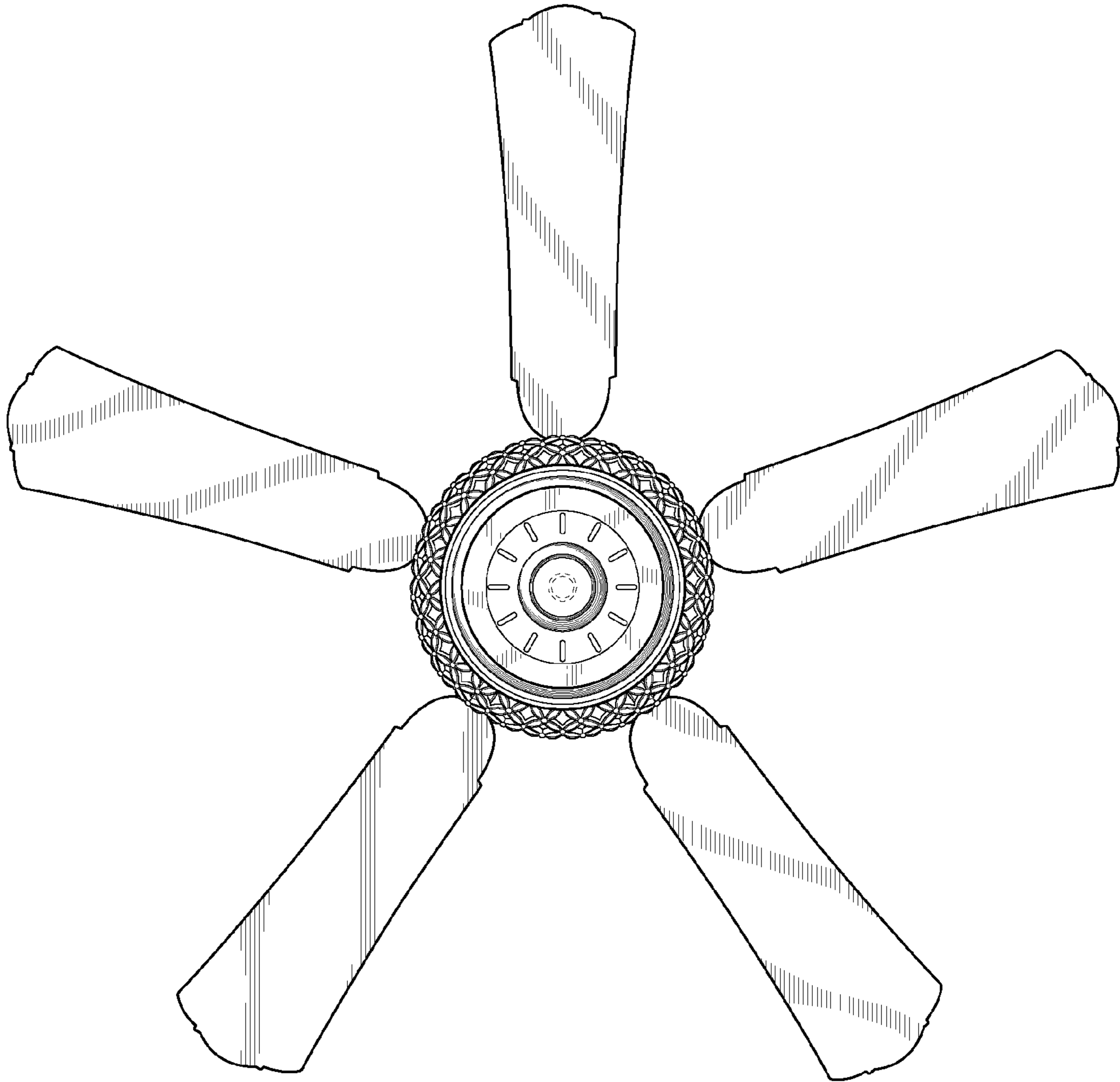
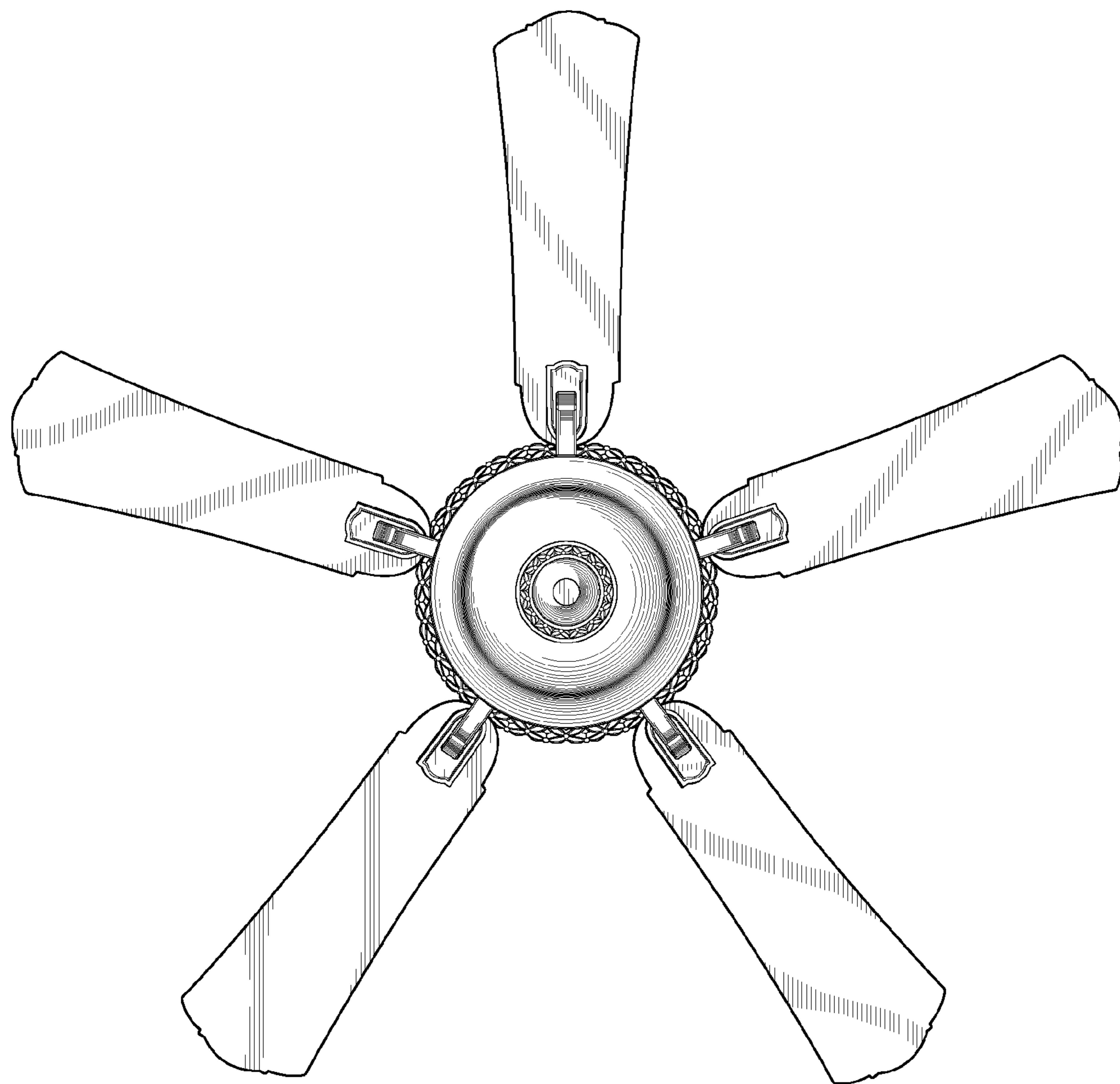


Fig. 1



*Fig.2*



*Fig.3*

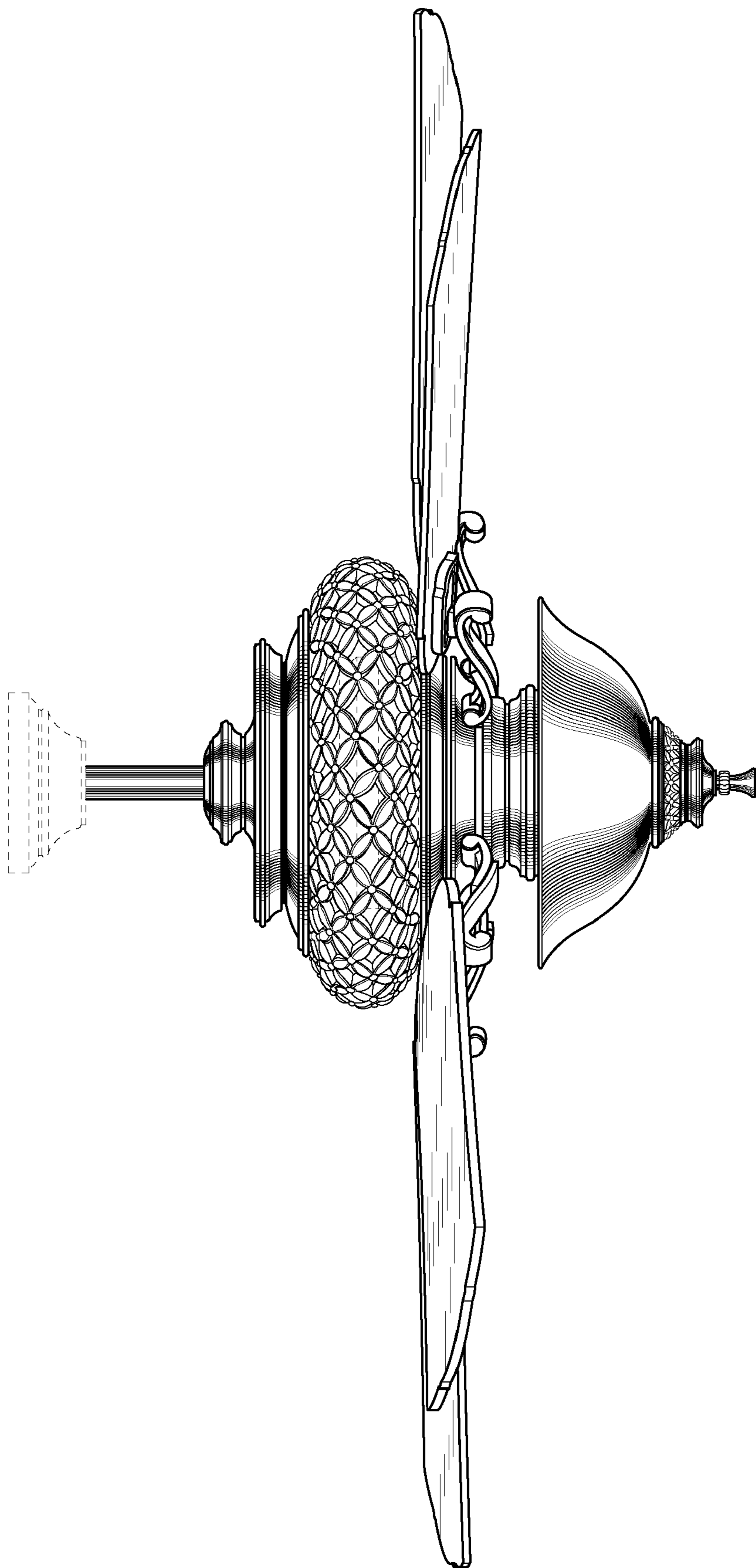


Fig.4

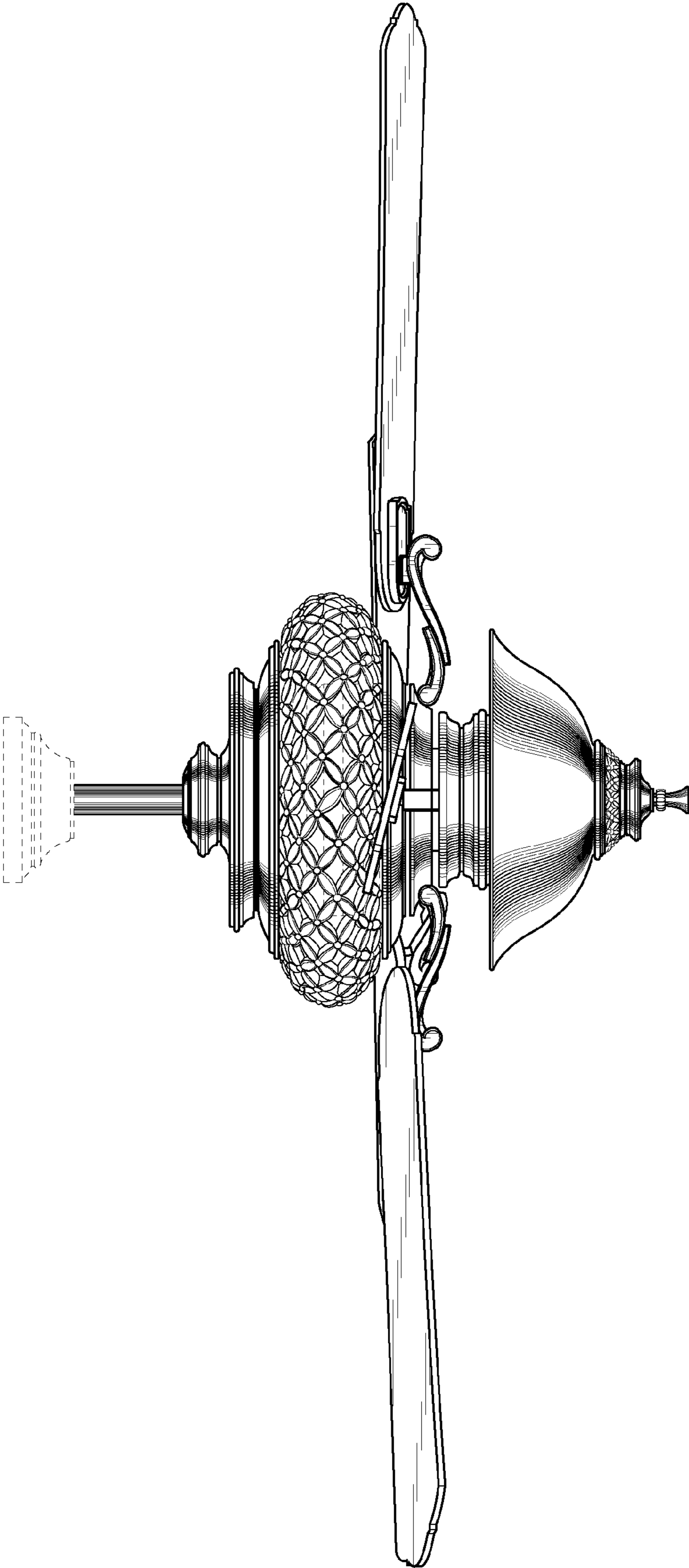


Fig.5