



US00D570986S

(12) **United States Design Patent**
Flores

(10) **Patent No.:** **US D570,986 S**
(45) **Date of Patent:** **** Jun. 10, 2008**

(54) **COMBINATION CEILING FAN AND LIGHT FIXTURE**

(75) Inventor: **Miguel Flores**, Riverside, CA (US)

(73) Assignee: **Minka Lighting, Inc.**, Corona, CA (US)

(**) Term: **14 Years**

(21) Appl. No.: **29/250,235**

(22) Filed: **Nov. 7, 2006**

(51) **LOC (8) Cl.** **23-04**

(52) **U.S. Cl.** **D23/377; D26/59**

(58) **Field of Classification Search** D23/377,
D23/379, 385, 411, 413; 416/5; D26/59,
D26/71, 81-86, 88, 51; 362/96

See application file for complete search history.

(56) **References Cited**

U.S. PATENT DOCUMENTS

D402,360 S *	12/1998	Jasper-Fayer	D23/411
D424,685 S *	5/2000	Chen	D23/411
D434,490 S *	11/2000	Tsuji et al.	D23/411
D486,221 S *	2/2004	Hsieh	D23/411

OTHER PUBLICATIONS

- U.S. Appl. No. 29/250,232.
- U.S. Appl. No. 29/250,233.
- U.S. Appl. No. 29/250,236.
- U.S. Appl. No. 29/250,237.
- U.S. Appl. No. 29/250,239.
- U.S. Appl. No. 29/250,240.
- Shade pattern on antique table lamp at Hearst Castle; photographed in late 2004 by inventor.
- U.S. Appl. No. 29/250,232 filed on Nov. 7, 2006.
- U.S. Appl. No. 29/250,233 filed on Nov. 7, 2006.
- U.S. Appl. No. 29/250,236 filed on Nov. 7, 2006.
- U.S. Appl. No. 29/250,237 filed on Nov. 7, 2006.
- U.S. Appl. No. 29/250,239 filed on Nov. 7, 2006.
- U.S. Appl. No. 29/250,240 filed on Nov. 7, 2006.
- MinkaAire Internet Catalog; Volterra ceiling fan; Model F-702; printed from minkagroup.net on Nov. 10, 2006.

MinkaAire Internet Catalog; Calais ceiling fan; Model F-544; printed from minkagroup.net on Nov. 10, 2006.

Minka Lavery Internet Catalog; Treville light fixture; Model 1373-196C; printed from minkagroup.net on Nov. 10, 2006.

Monte Carlo Internet Catalog; Big Sur ceiling fan; Model MC-5BGR56BSD; printed from hansenwholesale.com on Nov. 10, 2006.

Craftmade Internet Catalog; Constantina ceiling fan; Model CF-CT52RI; printed from hansenwholesale.com on Nov. 10, 2006.

Craftmade Internet Catalog; Epic ceiling fan; Model CF-EP700B; printed from hansenwholesale.com on Nov. 10, 2006.

(Continued)

Primary Examiner—Lisa Lichtenstein

(74) *Attorney, Agent, or Firm*—Baker & McKenzie LLP

(57) **CLAIM**

The ornamental design for a combination ceiling fan and light fixture, as shown and described.

DESCRIPTION

FIG. 1 is a perspective view from below of a combination ceiling fan and light fixture in accordance with my design;

FIG. 2 is a reduced top plan view of the combination ceiling fan and light fixture in accordance with my design;

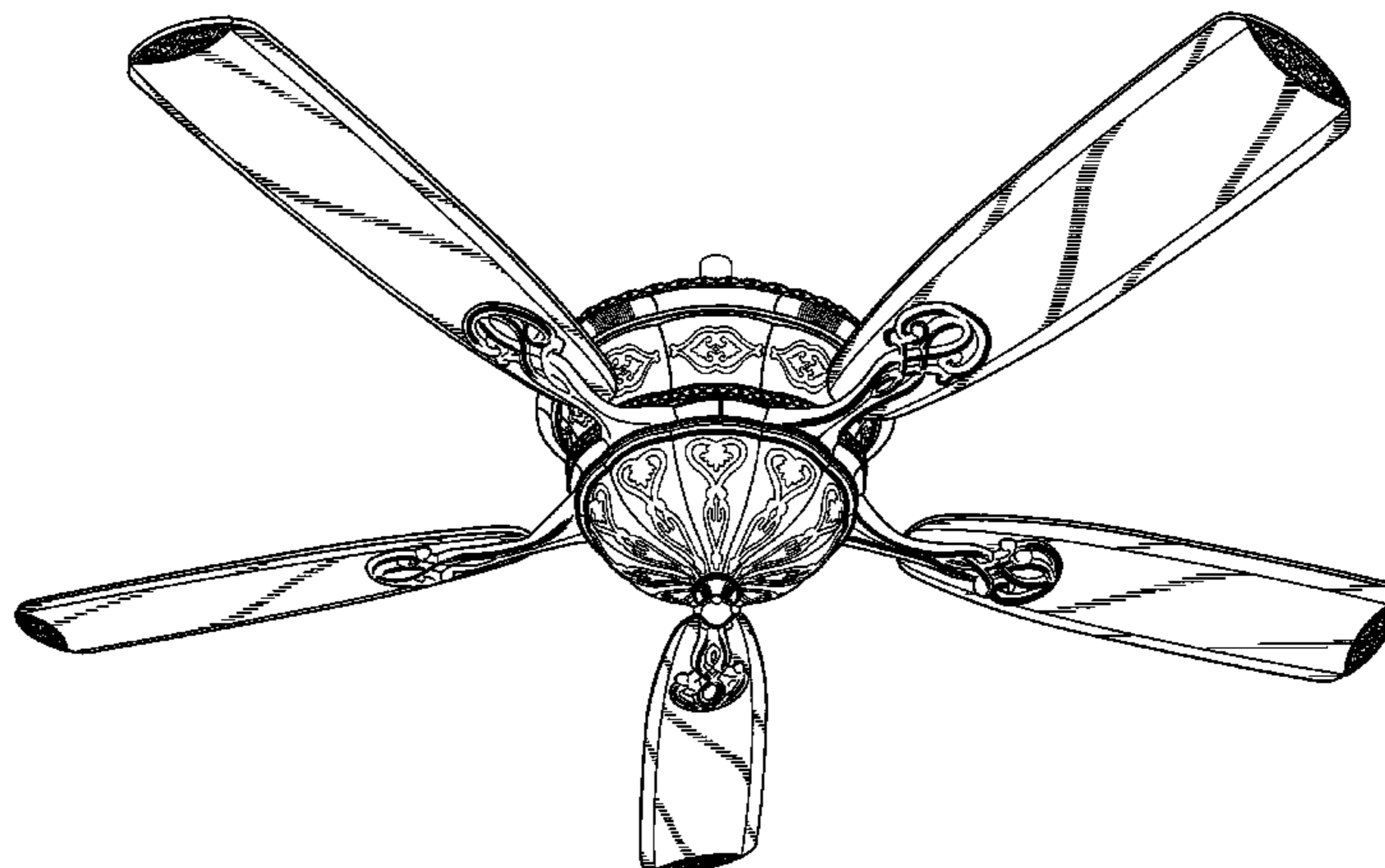
FIG. 3 is a greatly reduced bottom plan view of the combination ceiling fan and light fixture in accordance with my design;

FIG. 4 is a front elevation view of the combination ceiling fan and light fixture in accordance with my design, the opposite view being a mirror image of that shown except for the positioning of the fan blades; and,

FIG. 5 is a side elevation view of the combination ceiling fan and light fixture in accordance with my design, the opposite view being a mirror image of that shown except for the positioning of the fan blades.

The broken lines showing environmental structure are for illustrative purposes and form no part of the claimed design.

1 Claim, 5 Drawing Sheets



OTHER PUBLICATIONS

Monte Carlo Internet Catalog; Arch ceiling fan; Model MC-5AHR60BSD; printed from hansenwholesale.com on Nov. 10, 2006.

Murray Feiss Internet Catalog; 3-Light Le Fleur De Lis; Model #FM237WAL; printed from feiss.com on Nov. 10, 2006.

Shade pattern on antique table lamp at Hearst Castle; photographed in late 2004 by inventor on Nov. 10, 2006.

MinkaAire Internet Catalog; Treville ceiling fan; Model F-719; printed from minkagroup.net on Nov. 10, 2006.

* cited by examiner

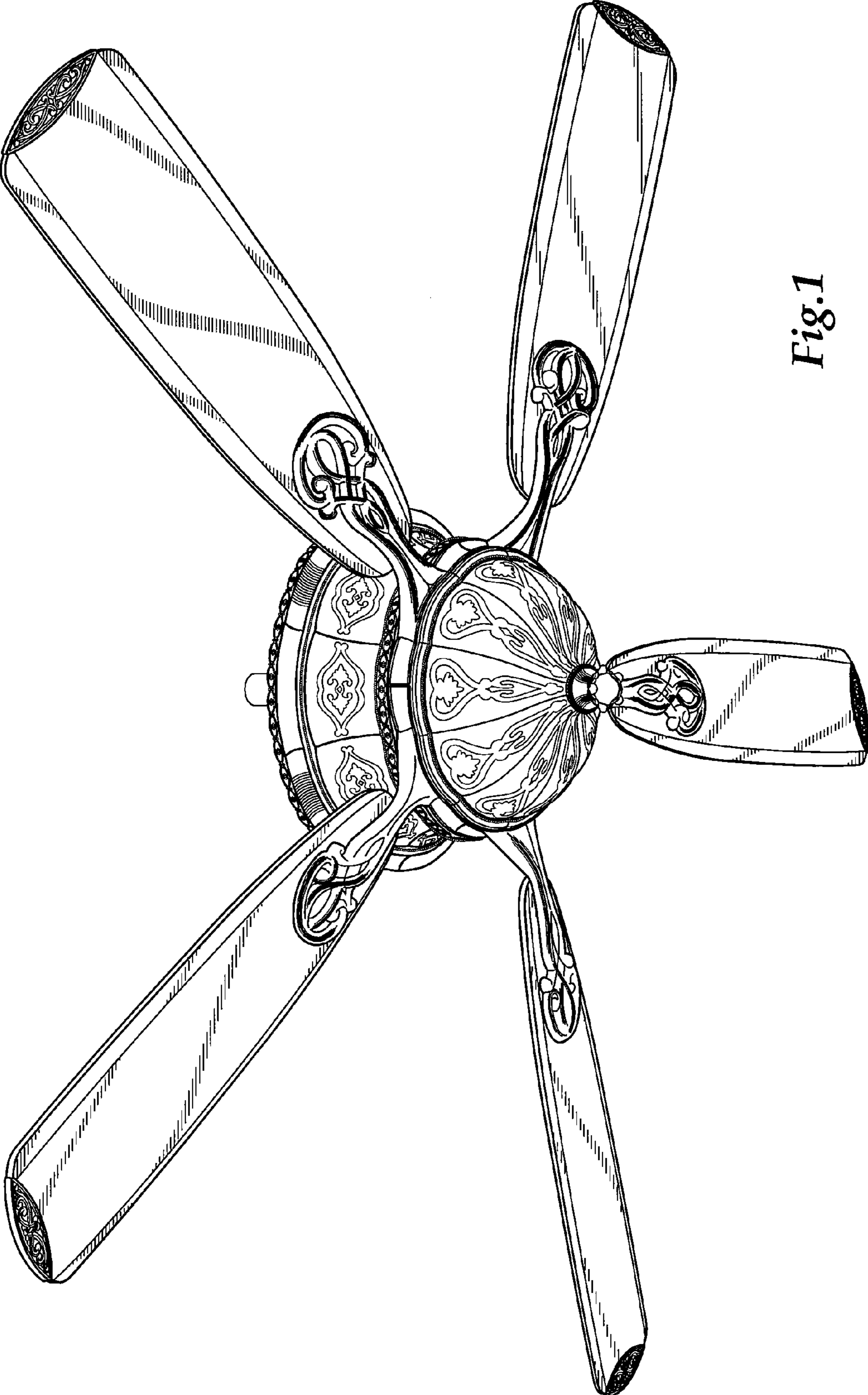


Fig.1

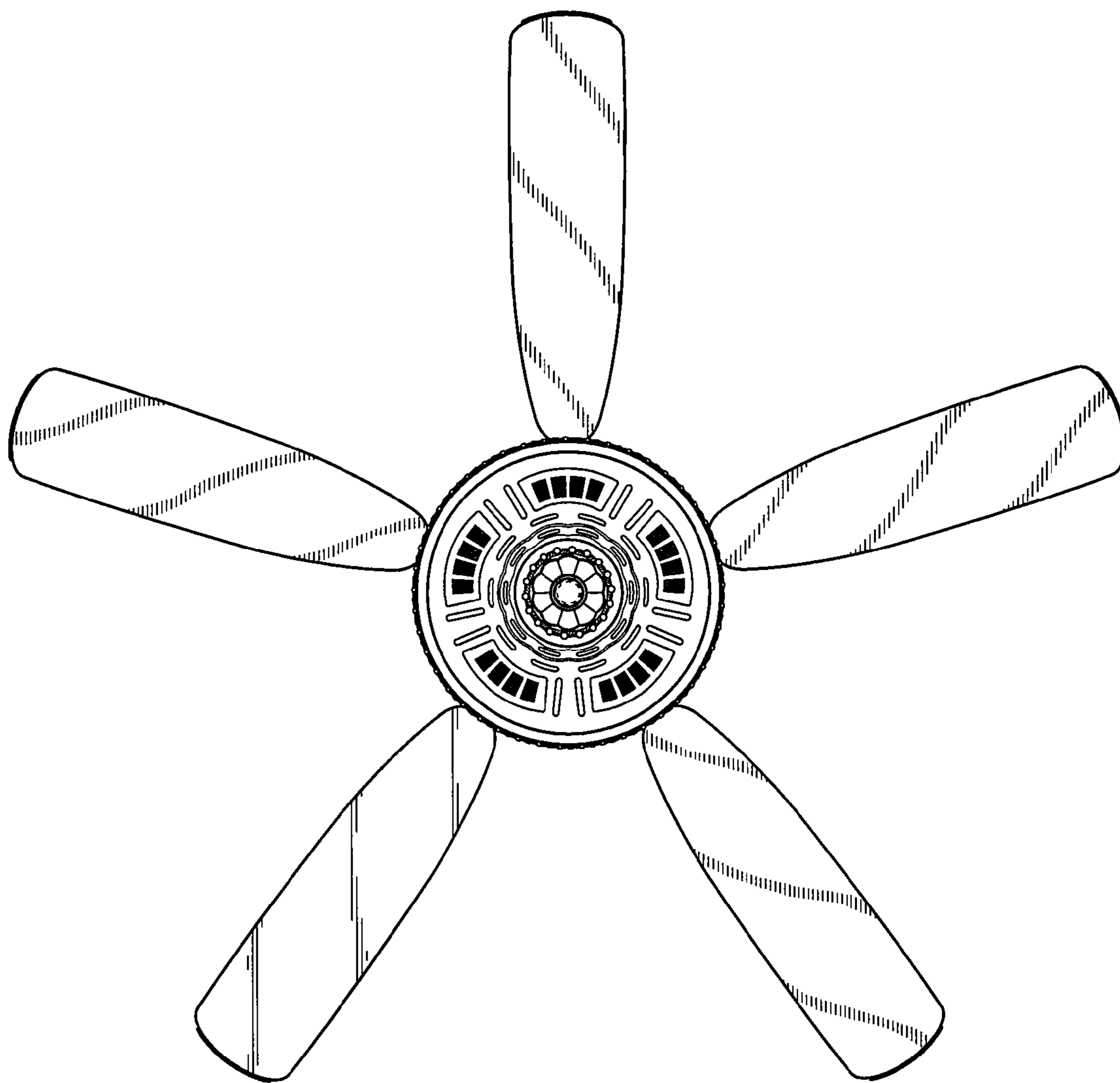


Fig. 2

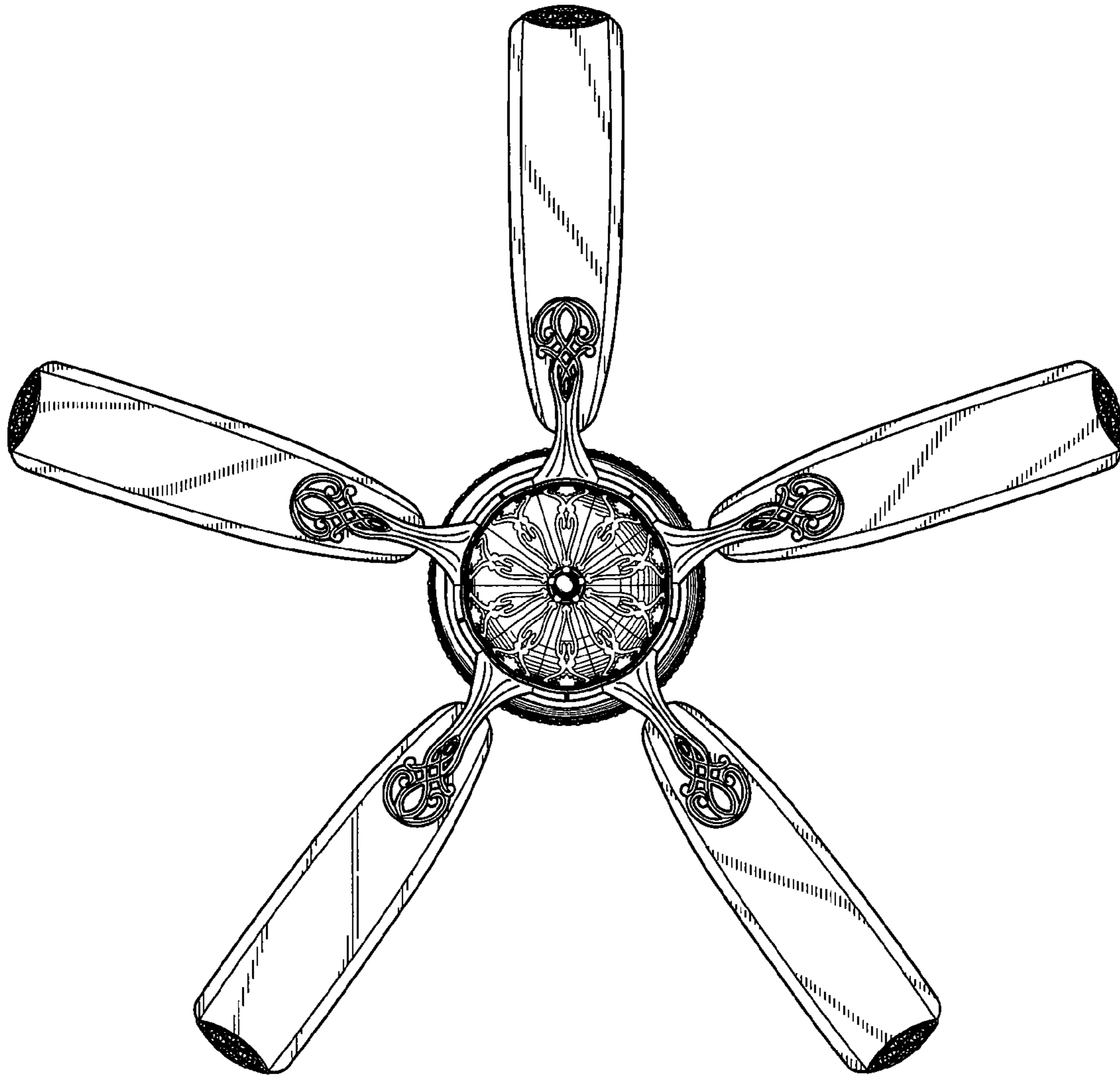


Fig.3

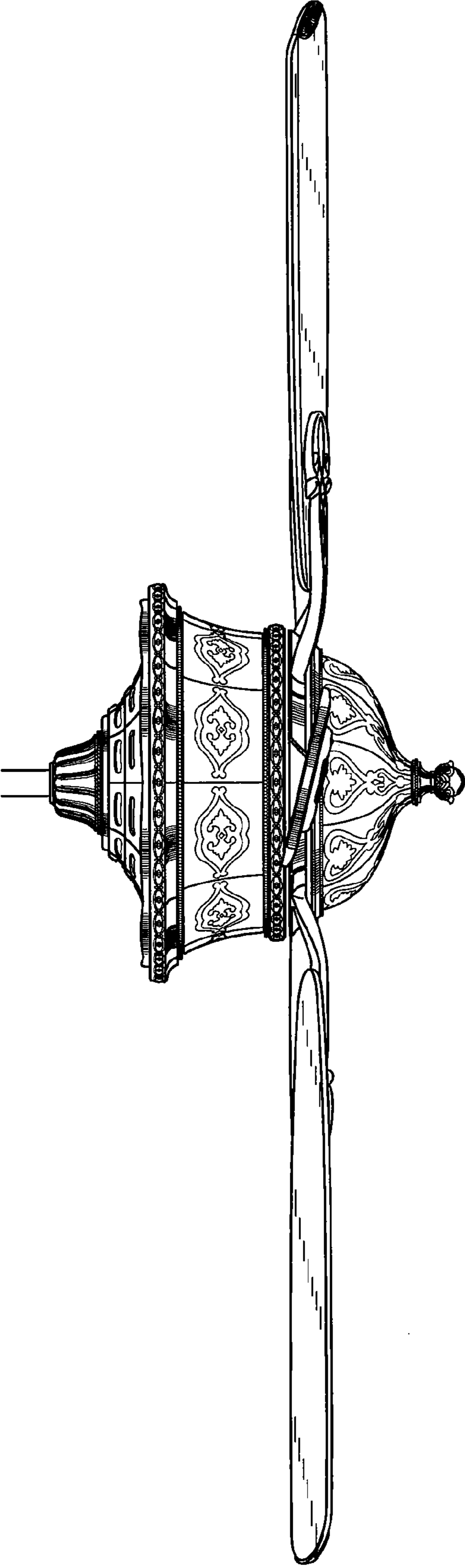


Fig.4

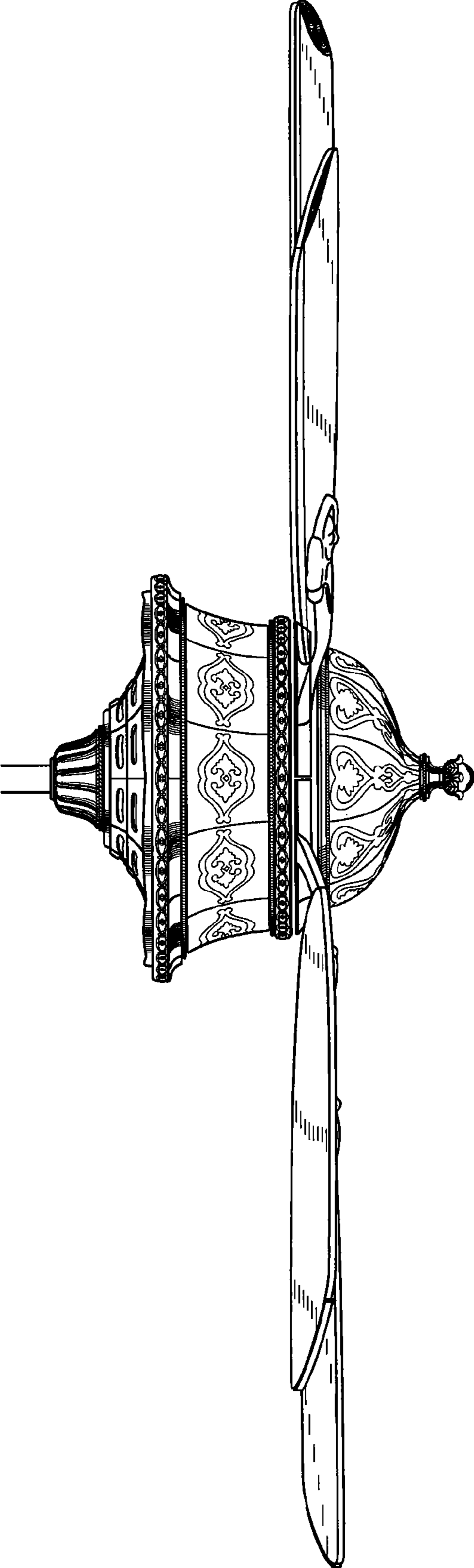


Fig.5