



US00D570985S

(12) **United States Design Patent**
Hidalgo

(10) **Patent No.:** **US D570,985 S**
(45) **Date of Patent:** **** Jun. 10, 2008**

- (54) **COMBINATION CEILING FAN AND LIGHT FIXTURE**
- (75) Inventor: **Rolando Hidalgo**, Orange, CA (US)
- (73) Assignee: **Minka Lighting, Inc.**, Corona, CA (US)
- (**) Term: **14 Years**
- (21) Appl. No.: **29/250,222**
- (22) Filed: **Nov. 7, 2006**
- (51) **LOC (8) Cl.** **23-04**
- (52) **U.S. Cl.** **D23/377; D26/59**
- (58) **Field of Classification Search** D23/377,
D23/379, 385, 411, 413; 416/5; D26/59,
D26/71, 81-86, 88, 51; 362/96
See application file for complete search history.

(56) **References Cited**

U.S. PATENT DOCUMENTS

D428,129 S *	7/2000	Huang	D23/377
D484,233 S *	12/2003	Bucher et al.	D23/377
D504,502 S *	4/2005	Young	D23/377
D518,888 S *	4/2006	Young	D23/411
D522,135 S *	5/2006	Hidalgo	D23/411
D524,438 S *	7/2006	Hidalgo et al.	D23/411
D527,814 S *	9/2006	Hidalgo	D23/411
D541,410 S *	4/2007	Ertze	D23/411

OTHER PUBLICATIONS

- U.S. Appl. No. 29/250,213.
- U.S. Appl. No. 29/250,214.
- U.S. Appl. No. 29/250,215.
- U.S. Appl. No. 29/250,216.
- U.S. Appl. No. 29/250,217.
- U.S. Appl. No. 29/250,218.
- U.S. Appl. No. 29/250,219.
- U.S. Appl. No. 29/250,220.
- U.S. Appl. No. 29/250,221.
- U.S. Appl. No. 29/250,213 filed on Nov. 7, 2006.
- U.S. Appl. No. 29/250,214 filed on Nov. 7, 2006.
- U.S. Appl. No. 29/250,215 filed on Nov. 7, 2006.
- U.S. Appl. No. 29/250,216 filed on Nov. 7, 2006.
- U.S. Appl. No. 29/250,217 filed on Nov. 7, 2006.

- U.S. Appl. No. 29/250,218 filed on Nov. 7, 2006.
- U.S. Appl. No. 29/250,219 filed on Nov. 7, 2006.
- U.S. Appl. No. 29/250,220 filed on Nov. 7, 2006.
- U.S. Appl. No. 29/250,221 filed on Nov. 7, 2006.
- MinkaAire Internet Catalog; Salon Grand ceiling fan; Model F-707; printed from minkagroup.net on Nov. 10, 2006.
- Emerson Internet Catalog; Lorraine ceiling fan; Model EM-KF240PRZ; printed from hansenwholesale.com on Nov. 10, 2006.
- Designers Fountain Internet Catalog; Toscano Collection; Model 5813-PVL; printed from arcadianlighting.com on Nov. 10, 2006.
- Kathy Ireland Internet Catalog; Amor collection; Model 46155; printed from lampsplus.com on Nov. 10, 2006.

* cited by examiner

Primary Examiner—Lisa P Lichtenstein
(74) *Attorney, Agent, or Firm*—Baker & McKenzie LLP

(57) **CLAIM**

The ornamental design for a combination ceiling fan and light fixture, as shown and described.

DESCRIPTION

FIG. 1 is a perspective view from below of a combination ceiling fan and light fixture in accordance with my design;

FIG. 2 is a reduced top plan view of the combination ceiling fan and light fixture in accordance with my design;

FIG. 3 is a reduced bottom plan view of the combination ceiling fan and light fixture in accordance with my design;

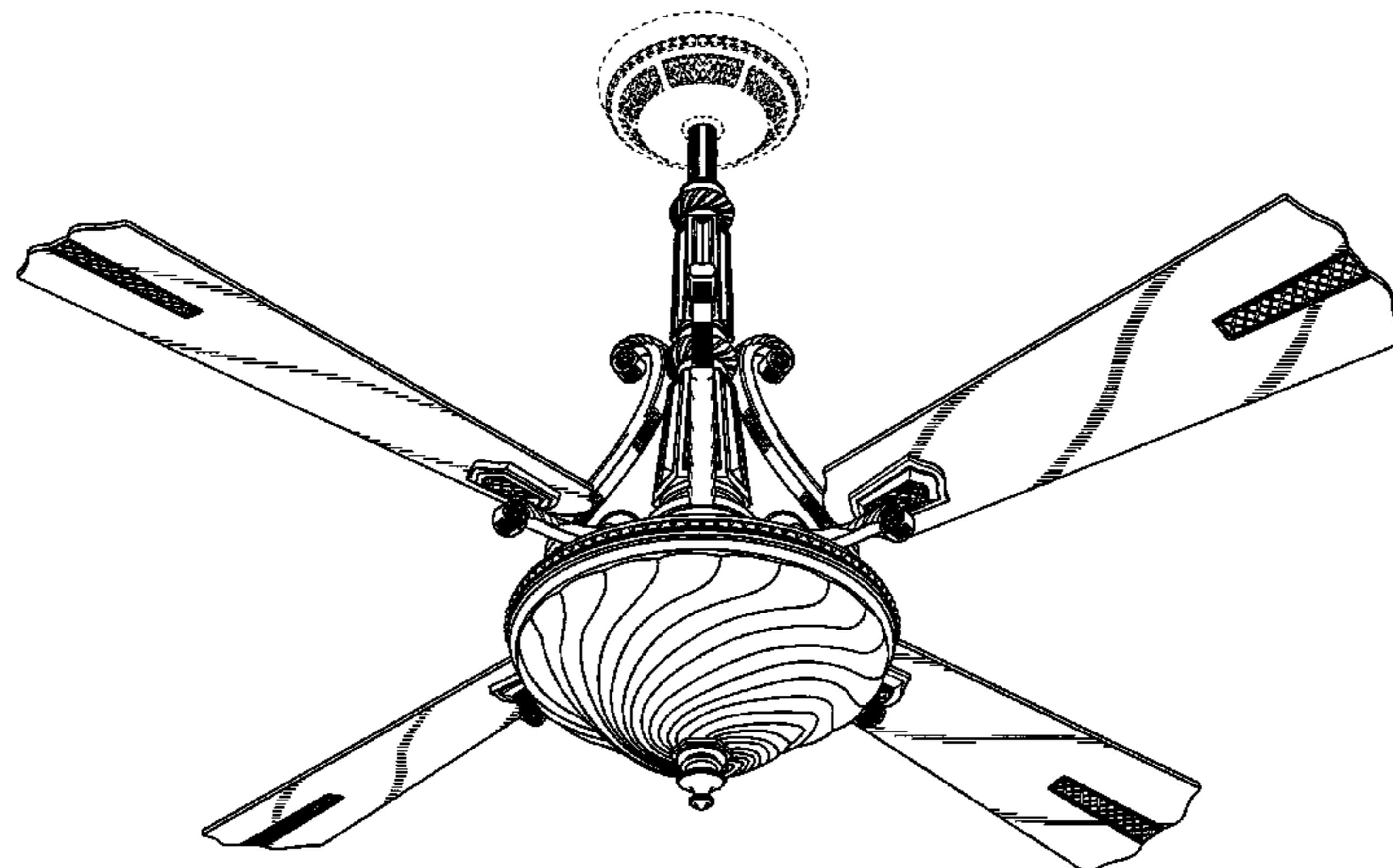
FIG. 4 is a front elevation view of the combination ceiling fan and light fixture in accordance with my design;

FIG. 5 is a back elevation view of the combination ceiling fan and light fixture in accordance with my design; and,

FIG. 6 is a side elevation view of the combination ceiling fan and light fixture in accordance with my design, the opposite view being a mirror image of that shown.

The broken line showing of the ceiling mount is included for the purpose of illustrating environmental structure and forms no part of the claimed design.

1 Claim, 6 Drawing Sheets



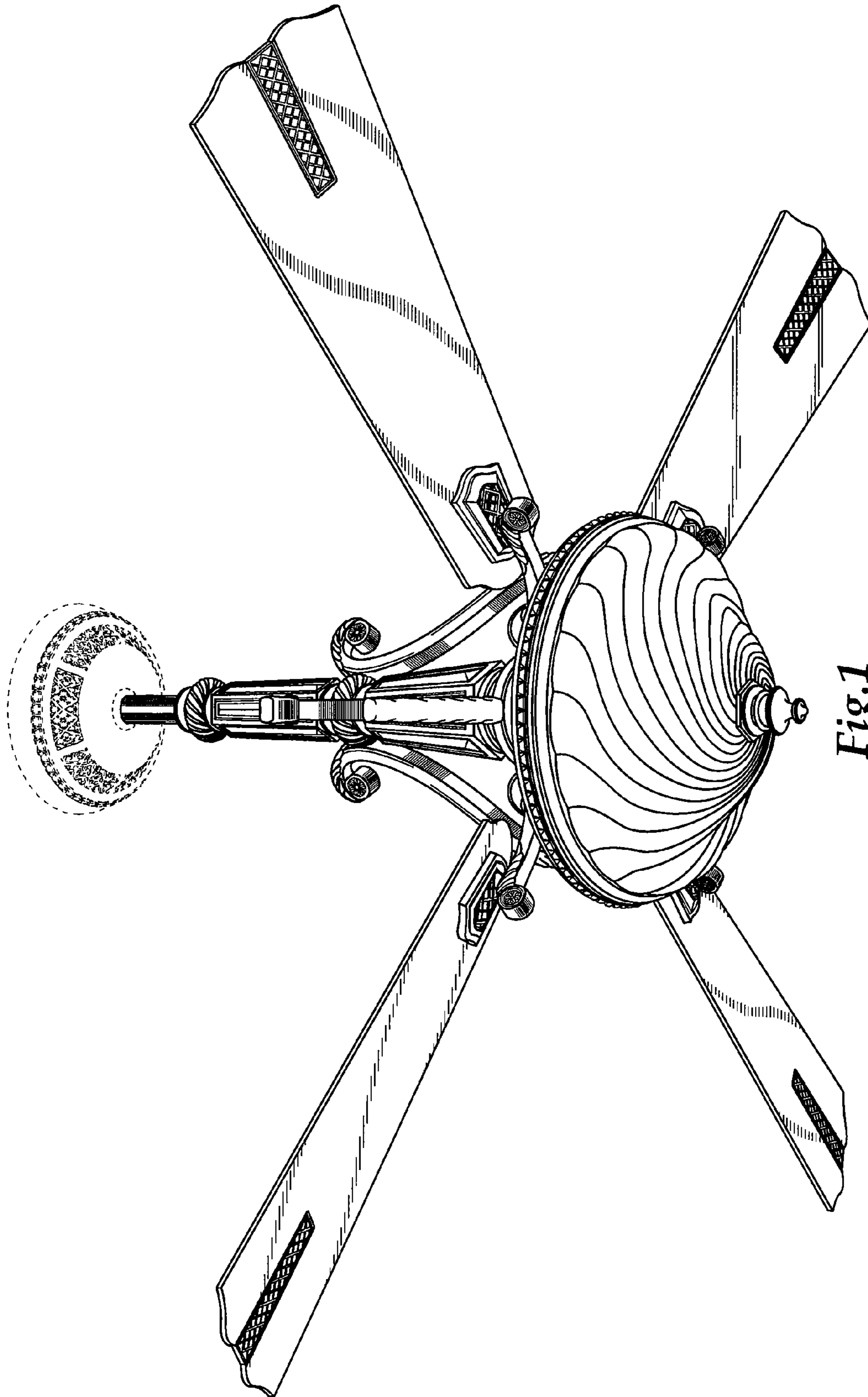


Fig. 1

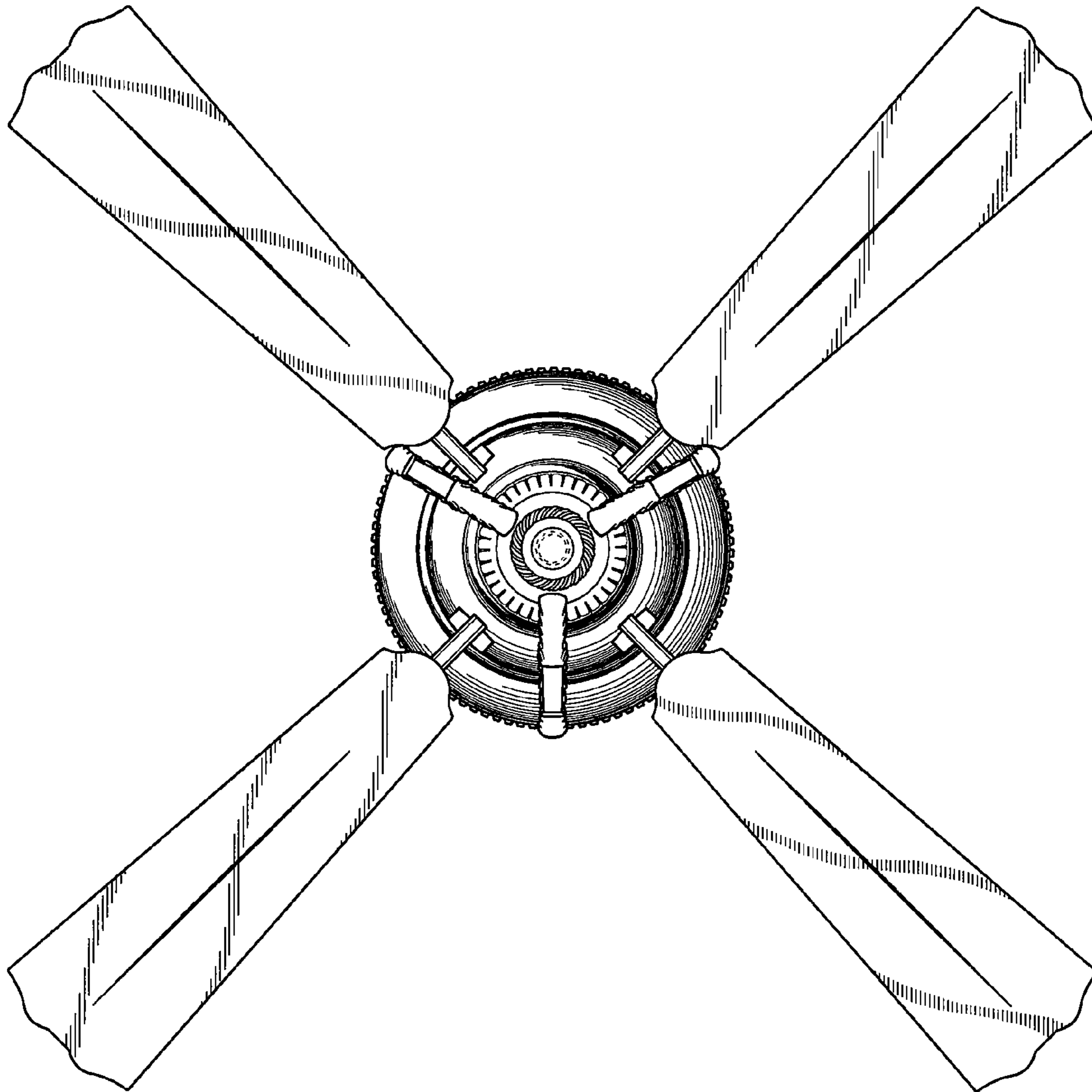


Fig.2

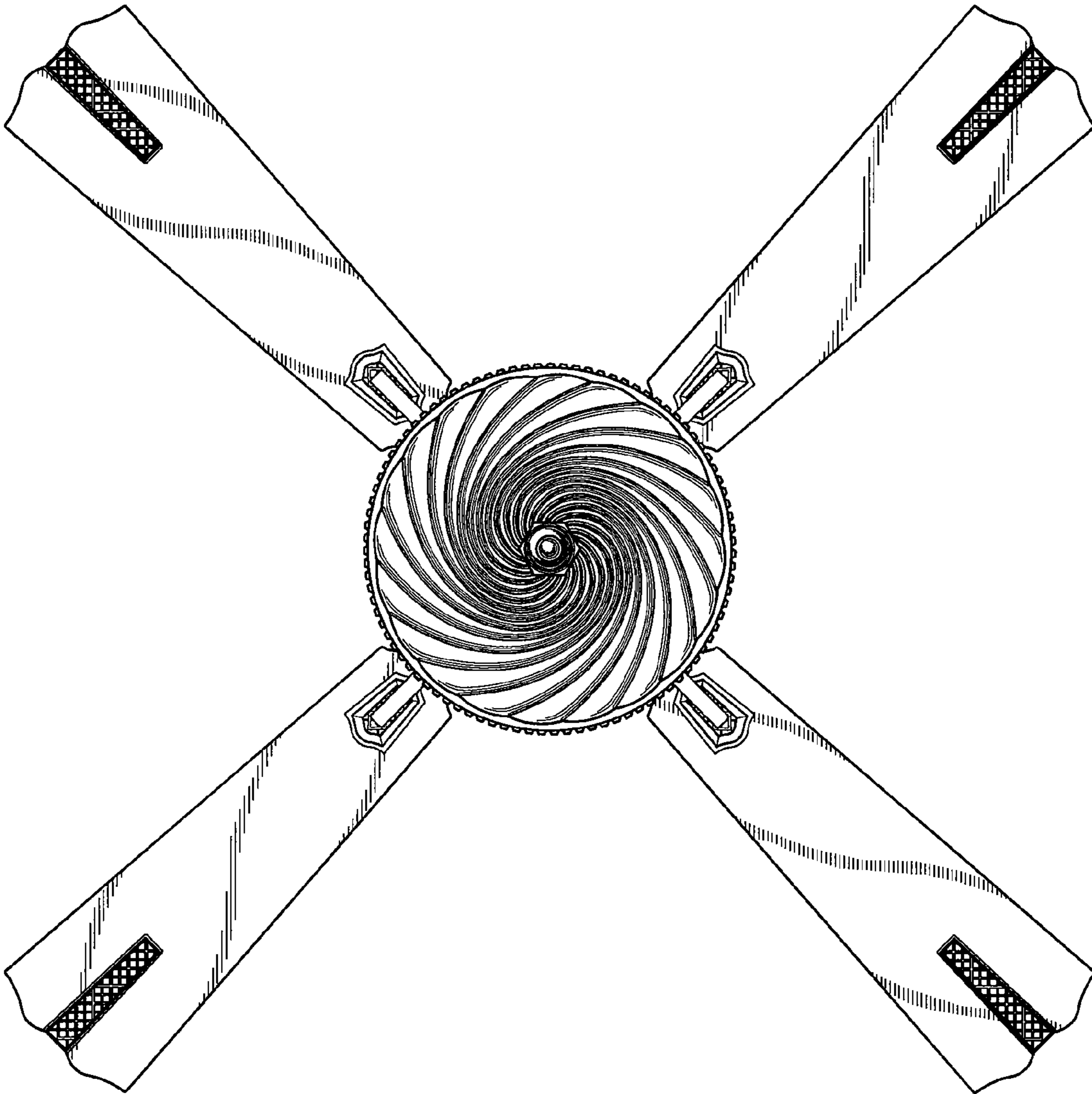


Fig.3

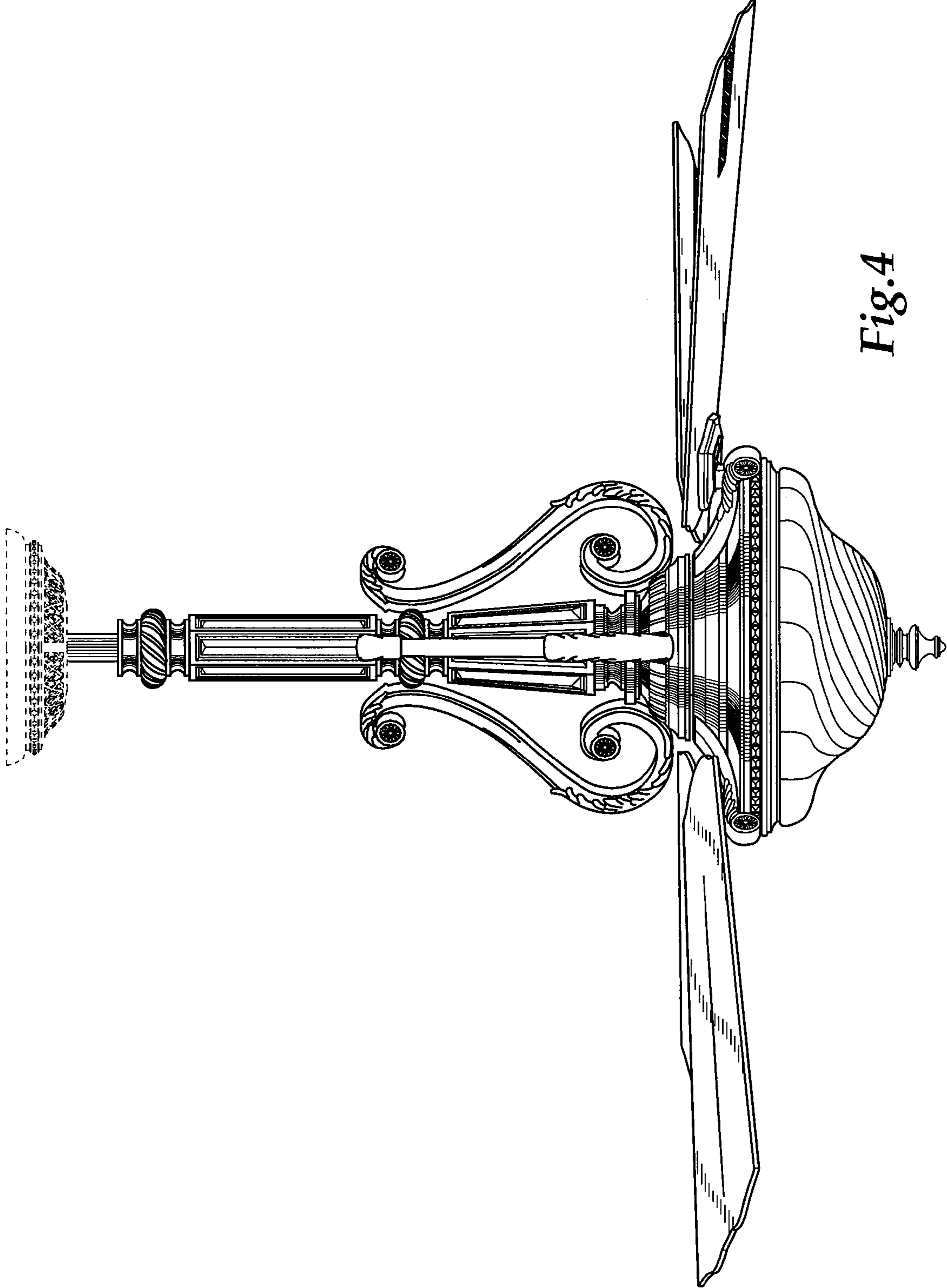


Fig. 4

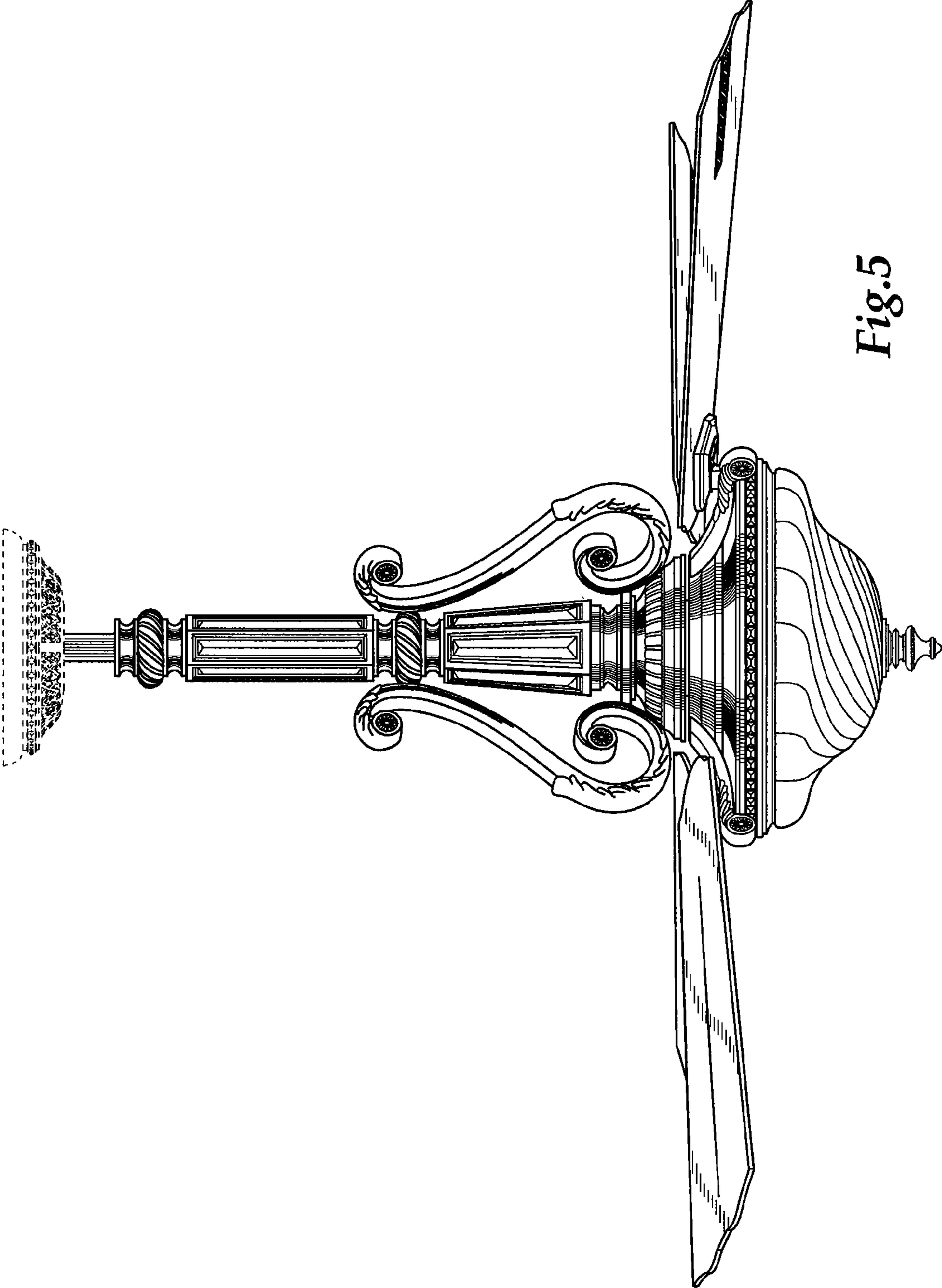


Fig. 5

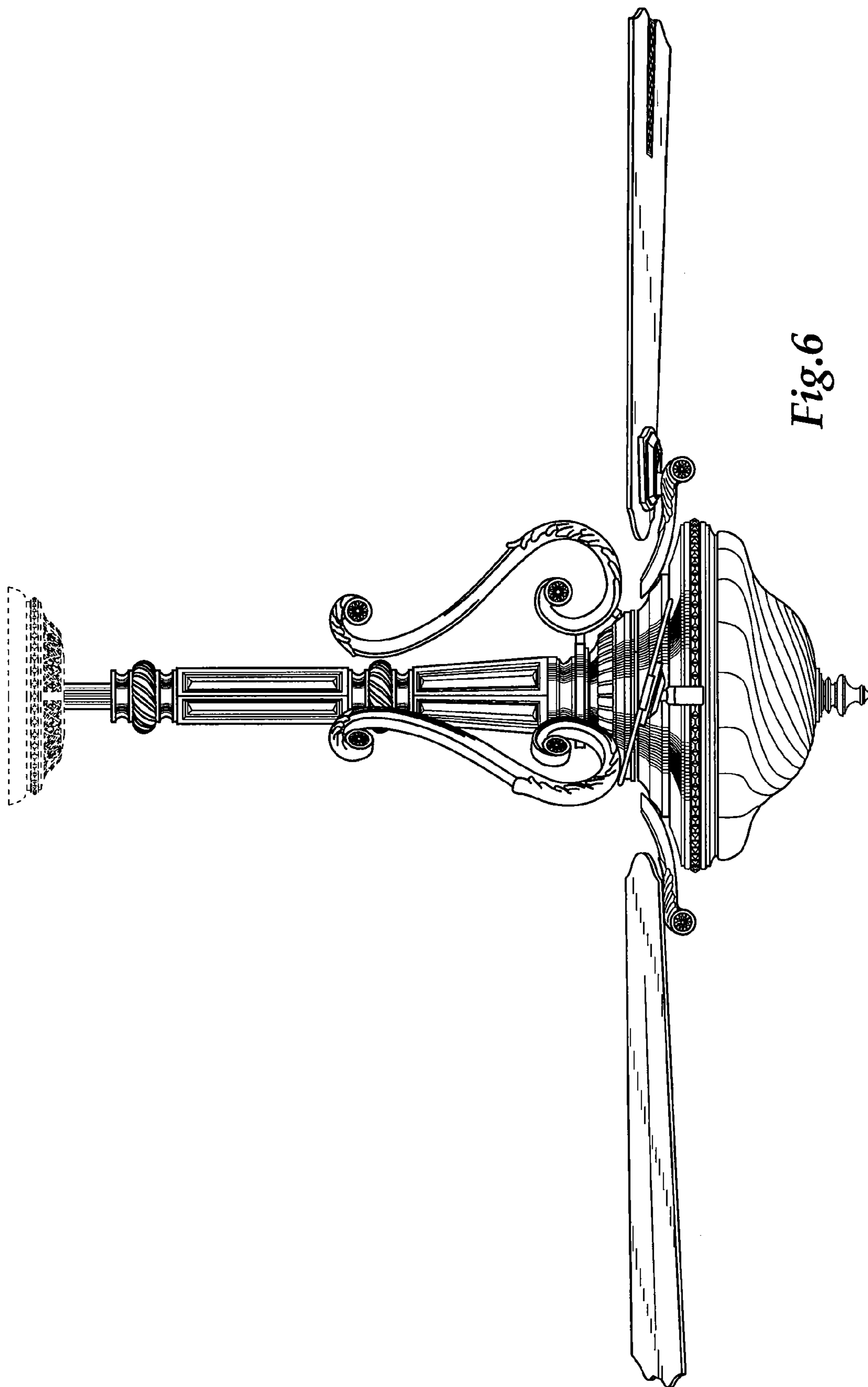


Fig. 6