



US00D570984S

(12) **United States Design Patent**
Hidalgo

(10) **Patent No.:** **US D570,984 S**
(45) **Date of Patent:** **** Jun. 10, 2008**

- (54) **COMBINATION CEILING FAN AND LIGHT FIXTURE**
 - (75) Inventor: **Rolando Hidalgo**, Orange, CA (US)
 - (73) Assignee: **Minka Lighting, Inc.**, Corona, CA (US)
 - (**) Term: **14 Years**
 - (21) Appl. No.: **29/249,967**
 - (22) Filed: **Oct. 27, 2006**
 - (51) **LOC (8) Cl.** **23-04**
 - (52) **U.S. Cl.** **D23/377; D26/59**
 - (58) **Field of Classification Search** D23/411,
D23/377, 379, 385, 413; 416/5; D26/59,
D26/71, 81-88; 362/96
- See application file for complete search history.

Emerson Internet Catalog; Lorraine ceiling fan; Model EM-KF240PRZ; printed from hansenwholesale.com printed on Nov. 10, 2006.

Emerson Internet Catalog; Nottingham ceiling fan; Model EM-CF4600GLZ; printed from hansenwholesale.com printed on Nov. 10, 2006.

ArtCraft Internet Catalog; Fantasy Bowl Pendant; Model AC2756; printed from lightinguniverse.com printed on Nov. 10, 2006.

Forte Lighting Internet Catalog; Bowl Pendant; Model 2145-04; printed from lightinguniverse.com printed on Nov. 10, 2006.

* cited by examiner

Primary Examiner—Lisa Lichtenstein

(74) *Attorney, Agent, or Firm*—Baker & McKenzie LLP

(56) **References Cited**

U.S. PATENT DOCUMENTS

| | | | |
|--------------|--------|----------------|---------|
| D378,404 S | 3/1997 | Jaspers-Fayer | |
| D404,479 S * | 1/1999 | Yang | D23/377 |
| D411,615 S * | 6/1999 | Lo | D23/377 |
| D428,134 S * | 7/2000 | Liu | D23/411 |
| D508,736 S * | 8/2005 | Hidalgo | D23/377 |
| D514,690 S | 2/2006 | Flores | |
| D521,143 S * | 5/2006 | Florez | D23/377 |
| D521,627 S | 5/2006 | Flores | |
| D522,122 S | 5/2006 | Flores | |
| D526,712 S * | 8/2006 | Hidalgo et al. | D23/377 |
| D527,450 S * | 8/2006 | Hidalgo | D23/377 |
| D527,453 S * | 8/2006 | Hidalgo | D23/411 |
| D527,454 S * | 8/2006 | Hidalgo | D23/411 |

OTHER PUBLICATIONS

U.S. Appl. No. 29/249,968 filed on Oct. 27, 2006.
 U.S. Appl. No. 29/249,971 filed on Oct. 24, 2006.
 U.S. Appl. No. 29/249,972 filed on Oct. 27, 2006.
 U.S. Appl. No. 29/249,973 filed on Oct. 27, 2006.
 MinkaAire Internet Catalog; Napoli ceiling fan; Model F-705; printed from minkagroup.net printed on Nov. 10, 2006.
 MinkaAire Internet Catalog; Classique ceiling fan; Model F-500; printed from minkagroup.net printed on Nov. 10, 2006.
 Hunter Internet Catalog; Piedmont ceiling fan; Model HU-25417; printed from hansenwholesale.com printed on Nov. 10, 2006.

(57) **CLAIM**

The ornamental design for a combination ceiling fan and light fixture, as shown and described.

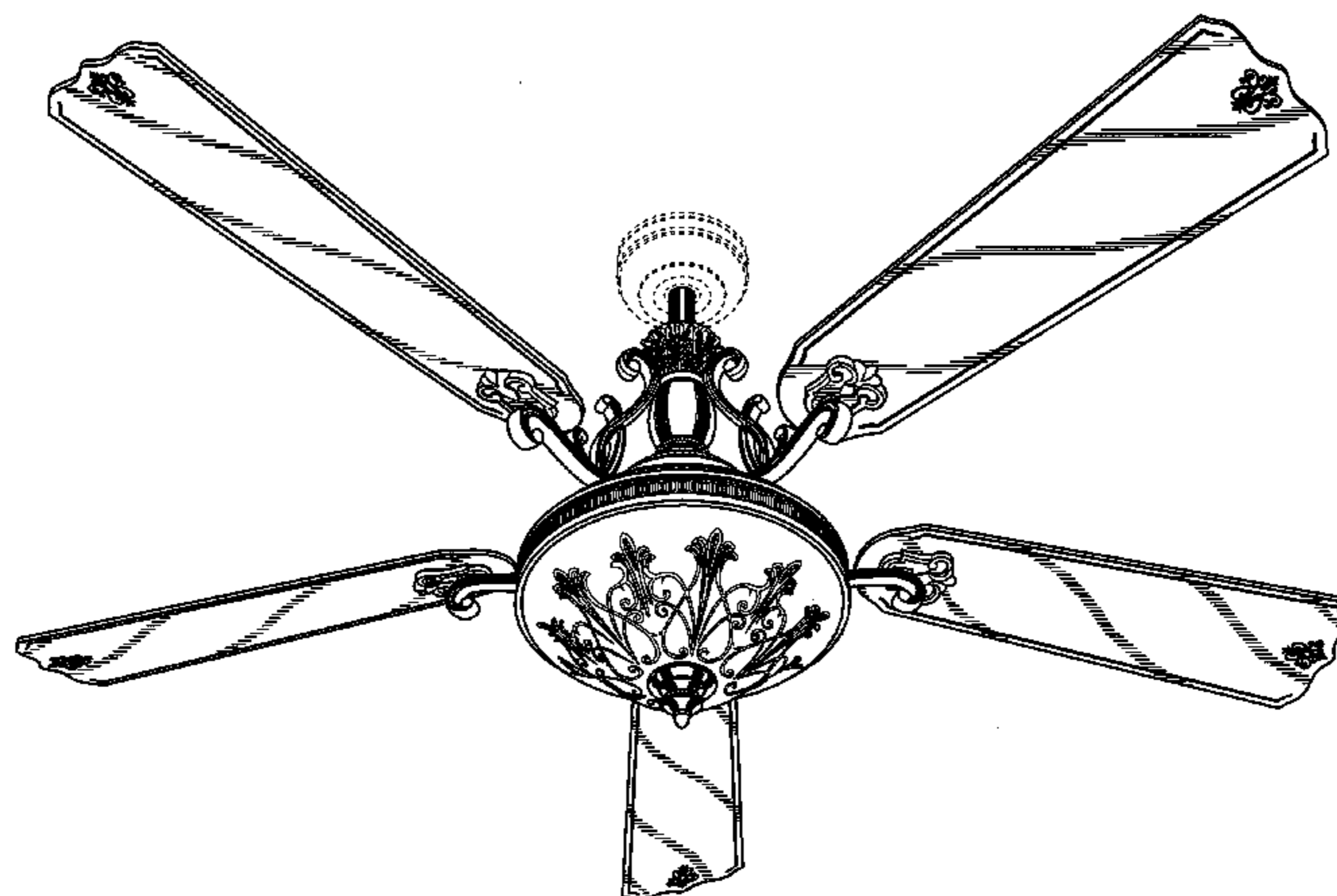
DESCRIPTION

FIG. 1 is a perspective view from below of a combination ceiling fan and light fixture in accordance with my design;
 FIG. 2 is a greatly reduced top plan view of the combination ceiling fan and light fixture in accordance with my design;
 FIG. 3 is a reduced bottom plan view of the combination ceiling fan and light fixture in accordance with my design;
 FIG. 4 is a front elevation view of the combination ceiling fan and light fixture in accordance with my design;
 FIG. 5 is a back elevation view of the combination ceiling fan and light fixture in accordance with my design; and,
 FIG. 6 is a side elevation view of the combination ceiling fan and light fixture in accordance with my design, the opposite side being a mirror image of that shown.

The broken lines showing environmental structure are for illustrative purposes and form no part of the claimed design.

The broken line showing of the canopy is included for the purpose of illustrating environmental structure and forms no part of the claimed design.

1 Claim, 6 Drawing Sheets



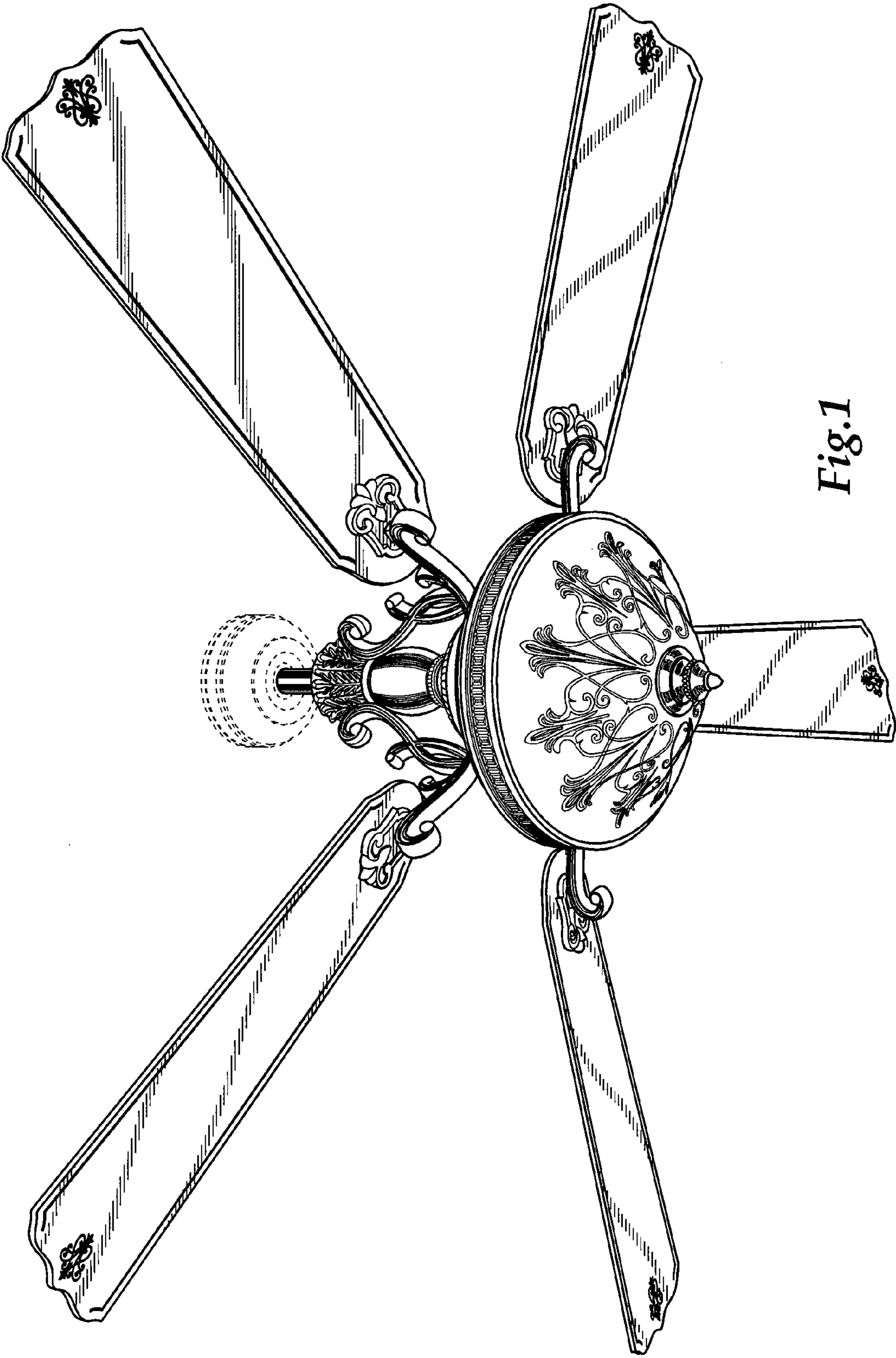


Fig. 1

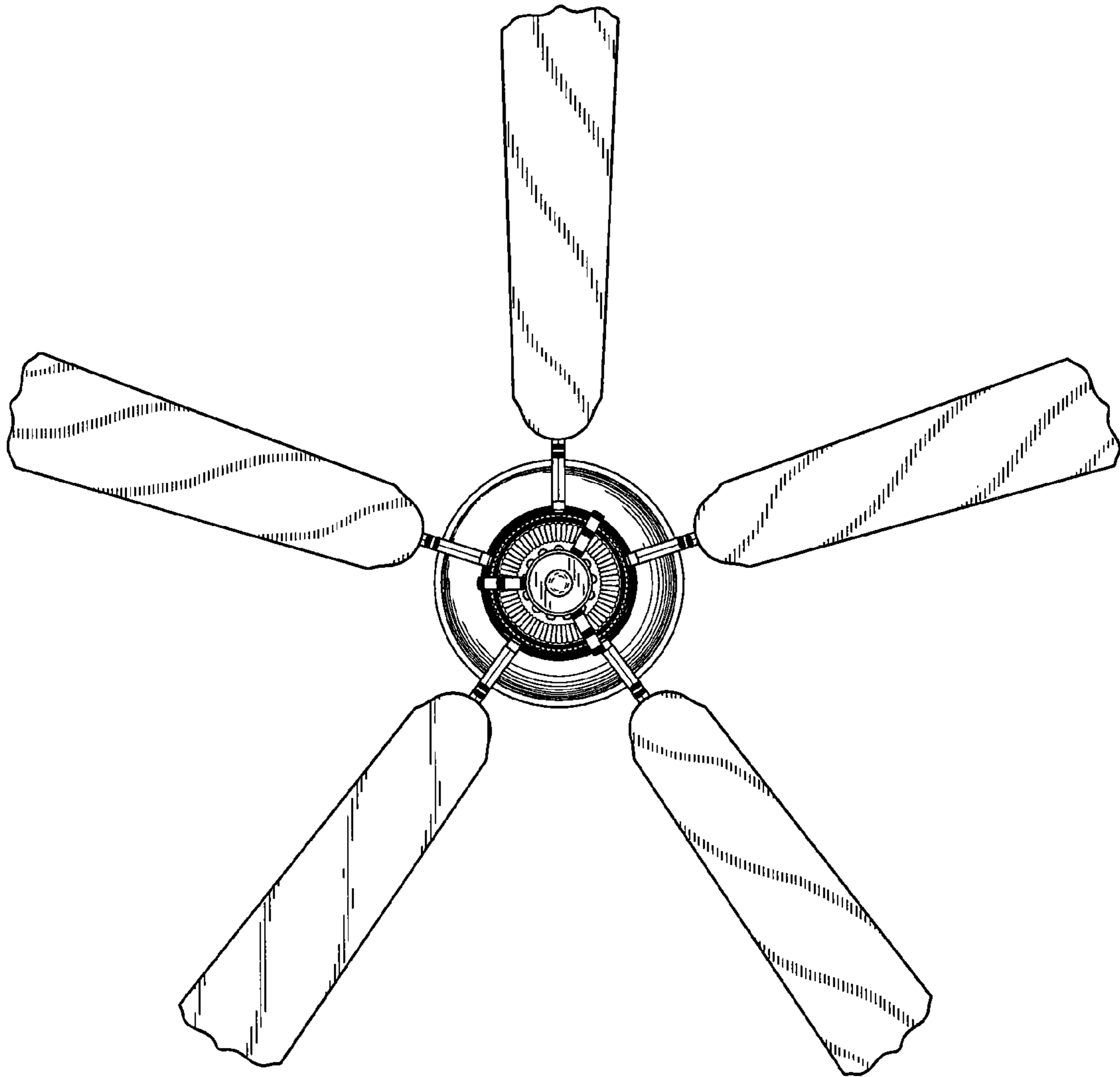


Fig.2

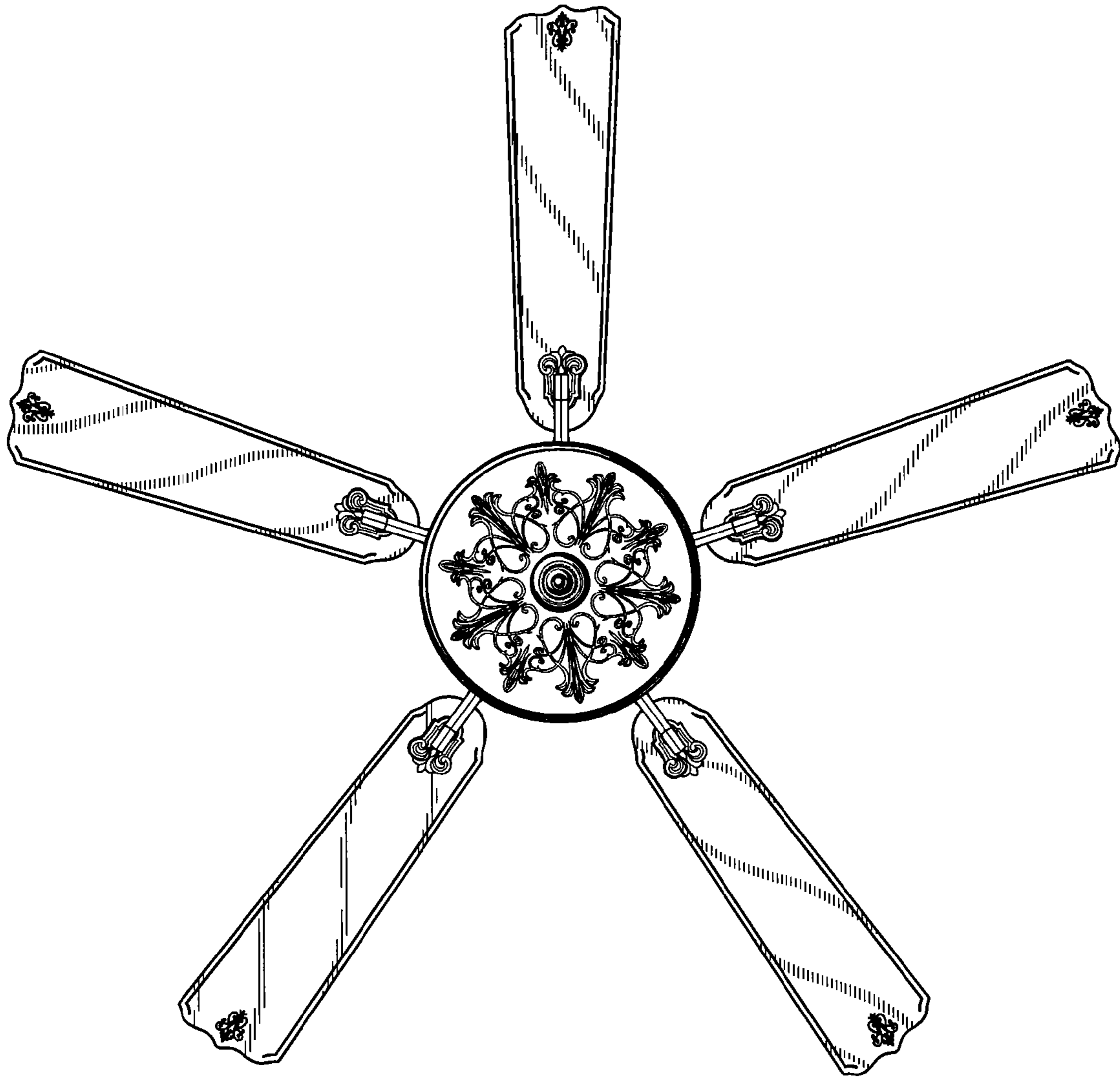


Fig.3

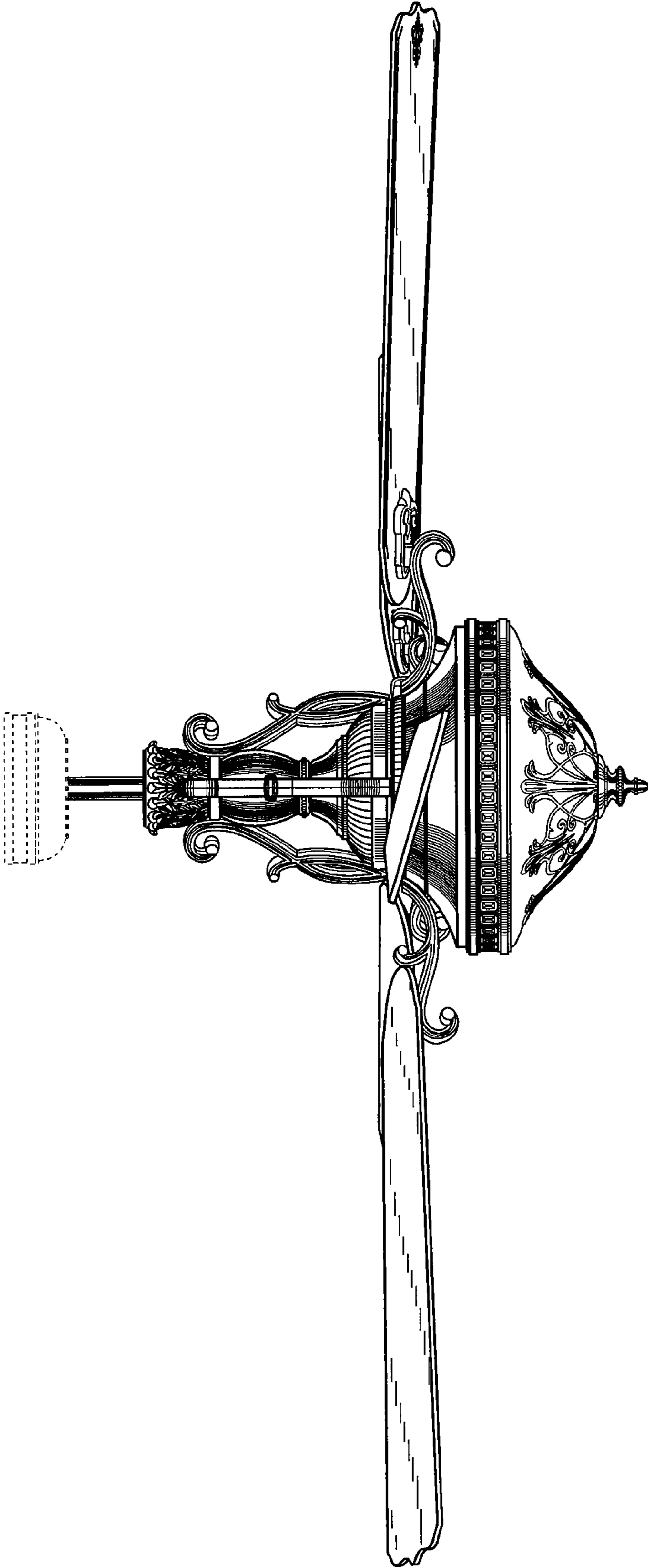


Fig. 4

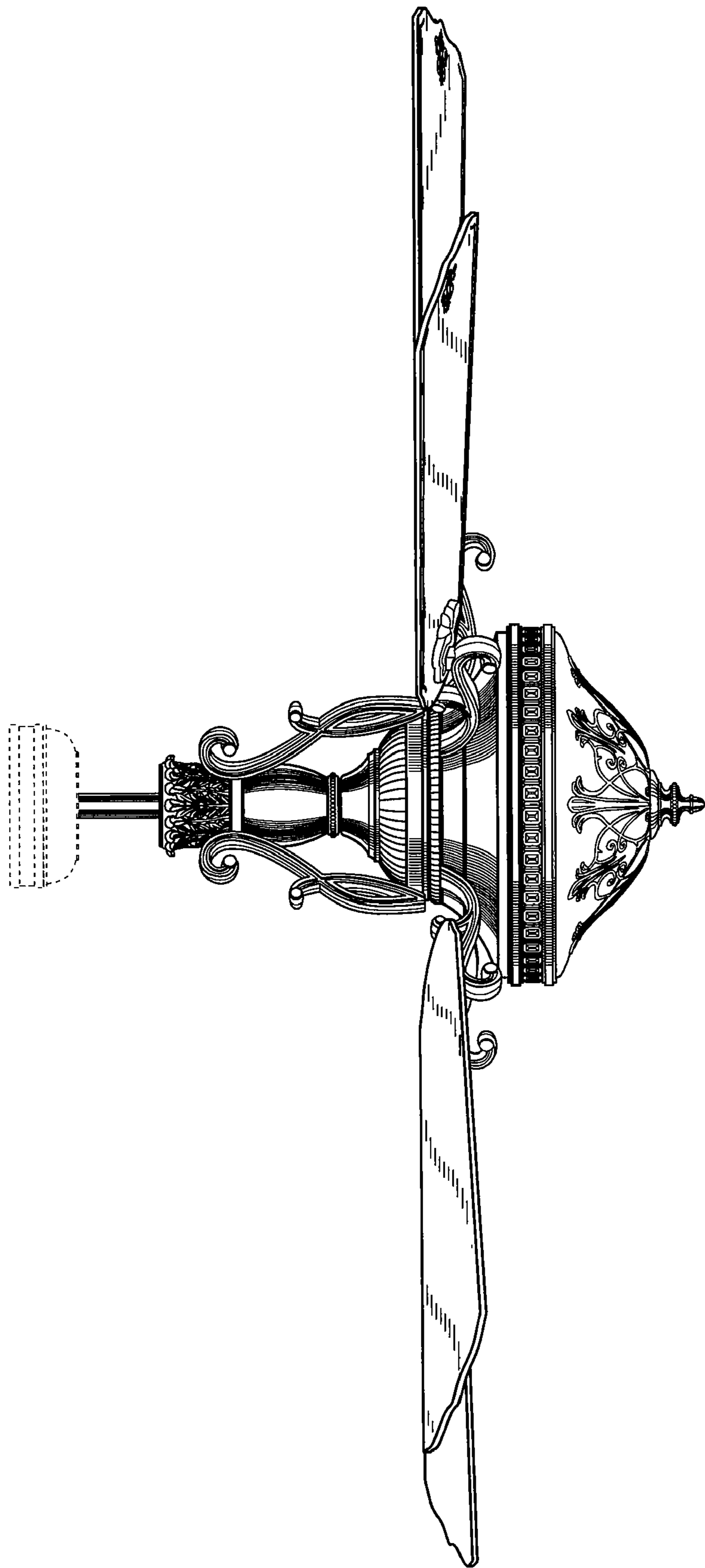


Fig. 5

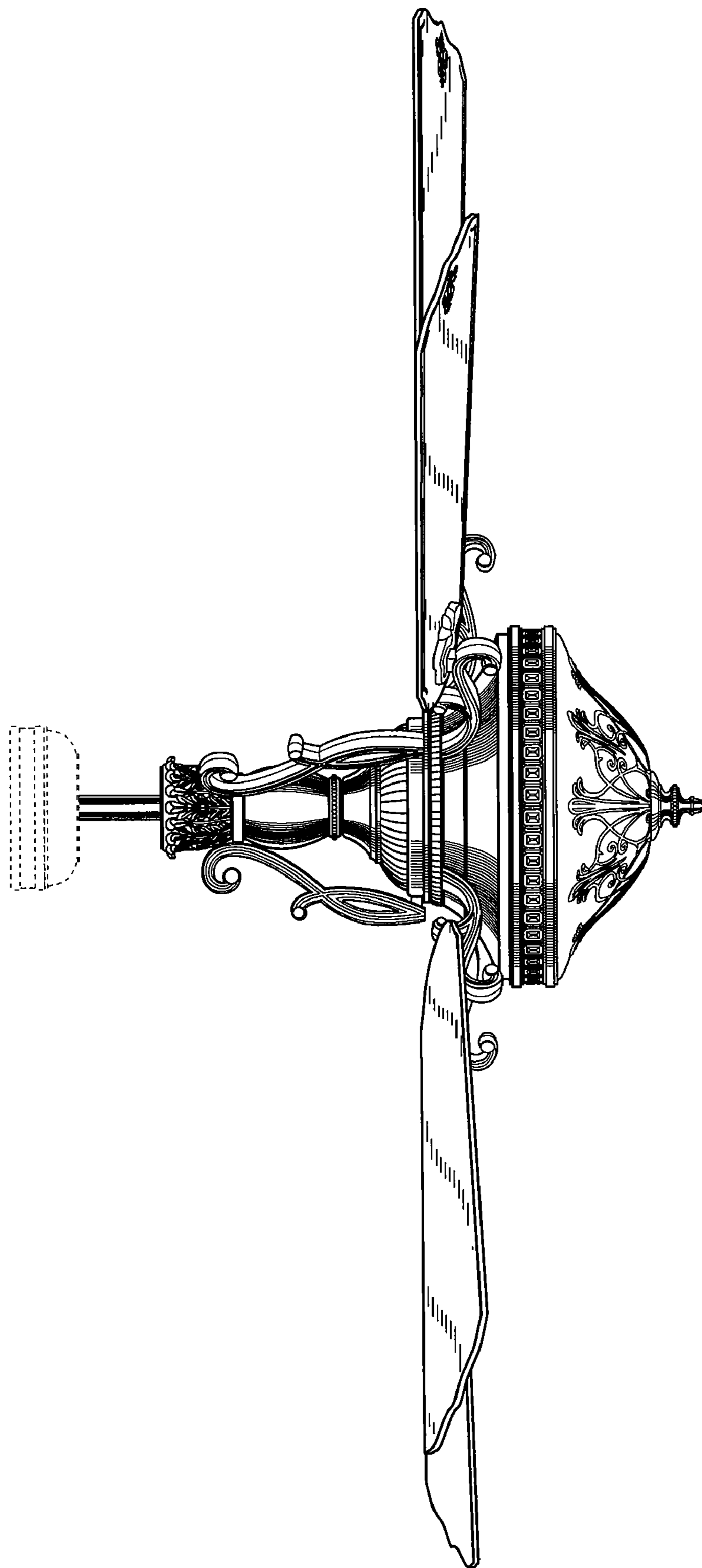


Fig. 6