



US00D570983S

(12) **United States Design Patent**
Deng

(10) **Patent No.:** **US D570,983 S**
(45) **Date of Patent:** **** Jun. 10, 2008**

(54) **EXHAUST SYSTEM PANEL UNIT WITH A LIGHT SOURCE**

Primary Examiner—Lisa P Lichtenstein

(75) Inventor: **Chaohua Deng**, Zhongshan (CN)

(57) **CLAIM**

The ornamental design for an exhaust system panel unit with a light, as shown and described.

(73) Assignee: **Hanway Technology Co., Ltd.**,
Guangdong (CN)

DESCRIPTION

(**) Term: **14 Years**

FIG. 1 is a top plan view of the exhaust system panel with a light source of the present invention;

(21) Appl. No.: **29/274,787**

FIG. 2 is a front view of the exhaust system panel with a light source of the present invention;

(22) Filed: **May 25, 2007**

FIG. 3 is a bottom plan view of the exhaust system panel with a light source of the present invention;

(30) **Foreign Application Priority Data**

Apr. 20, 2007 (CN) 2007 3 0053557

FIG. 4 is the left side view of the exhaust system panel with a light source of the present invention;

(51) **LOC (8) Cl.** **23-04**

FIG. 5 is the right side view of the exhaust system panel with a light source of the present invention; and,

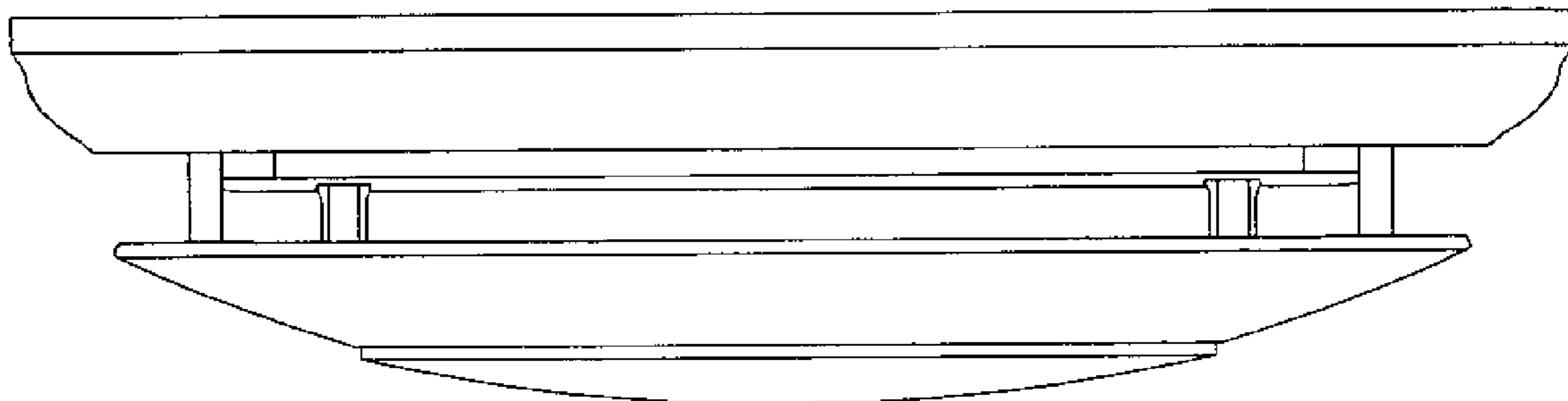
(52) **U.S. Cl.** **D23/372**

(58) **Field of Classification Search** D23/372,
D23/371, 370, 355; D7/406; 126/299 D,
126/299 R

FIG. 6 is a perspective view of the exhaust system panel of with a light source of the present invention.

See application file for complete search history.

1 Claim, 3 Drawing Sheets



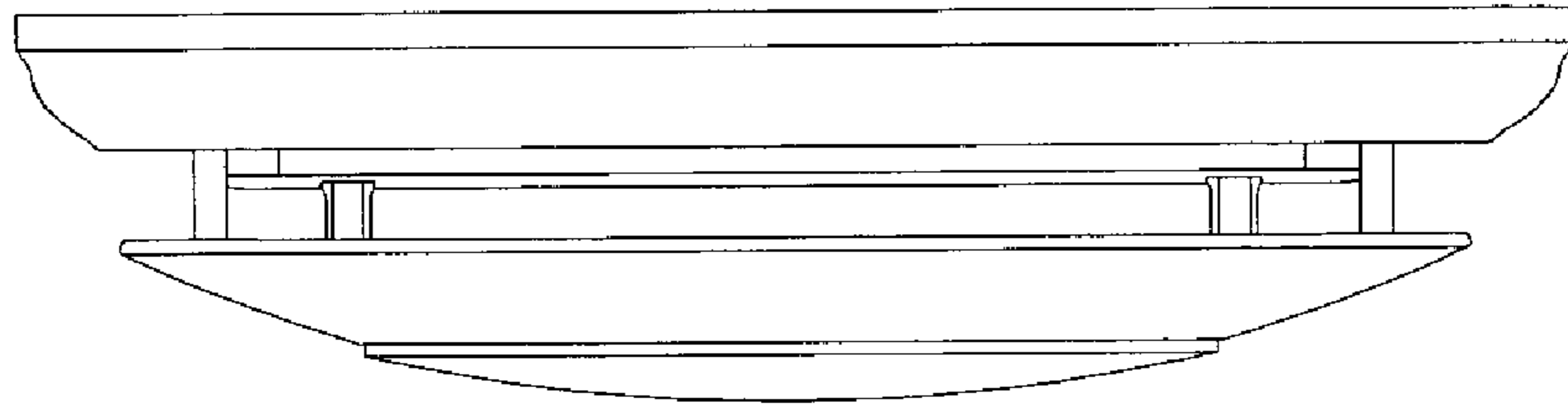


Fig. 1

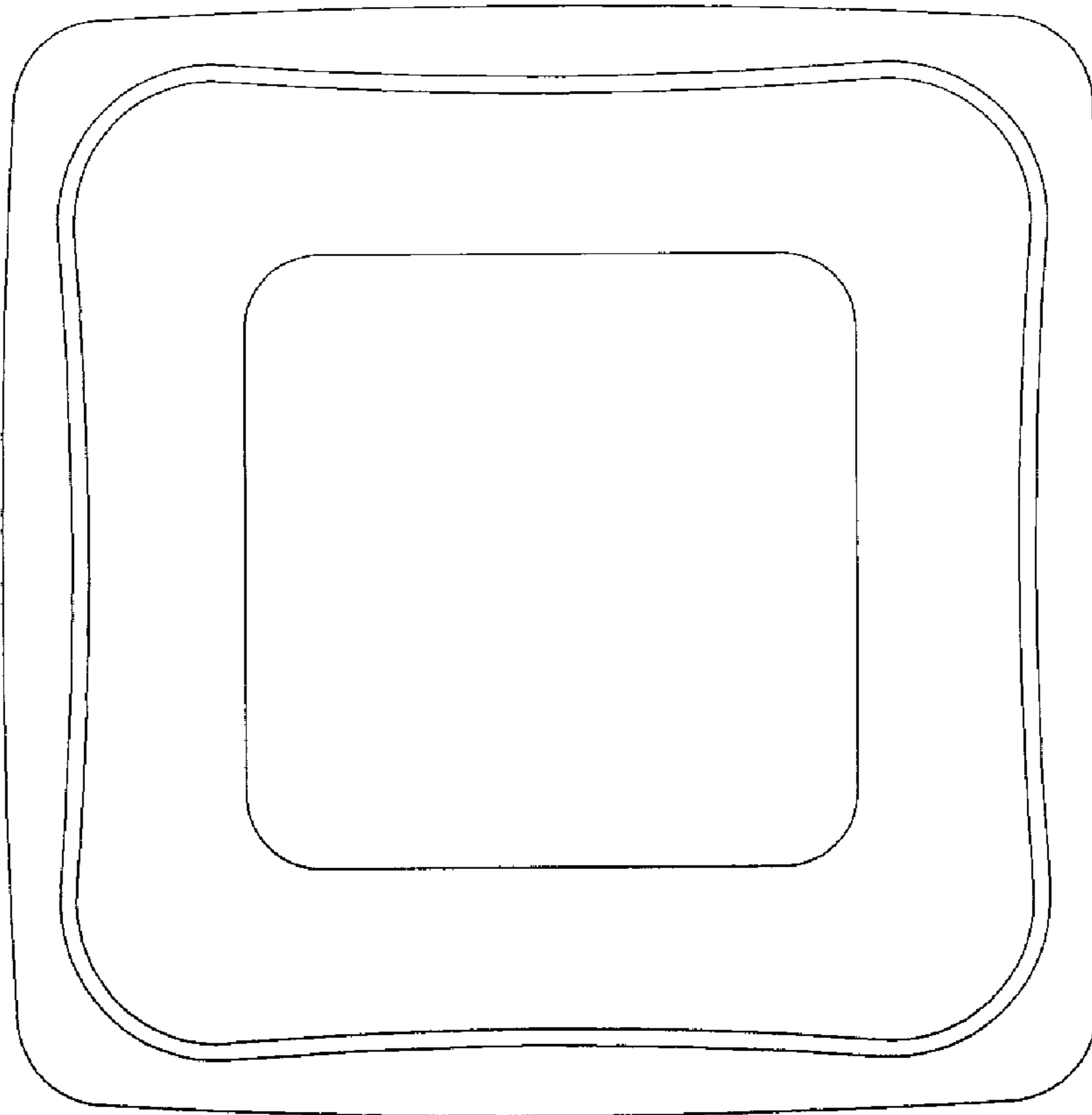


Fig. 2

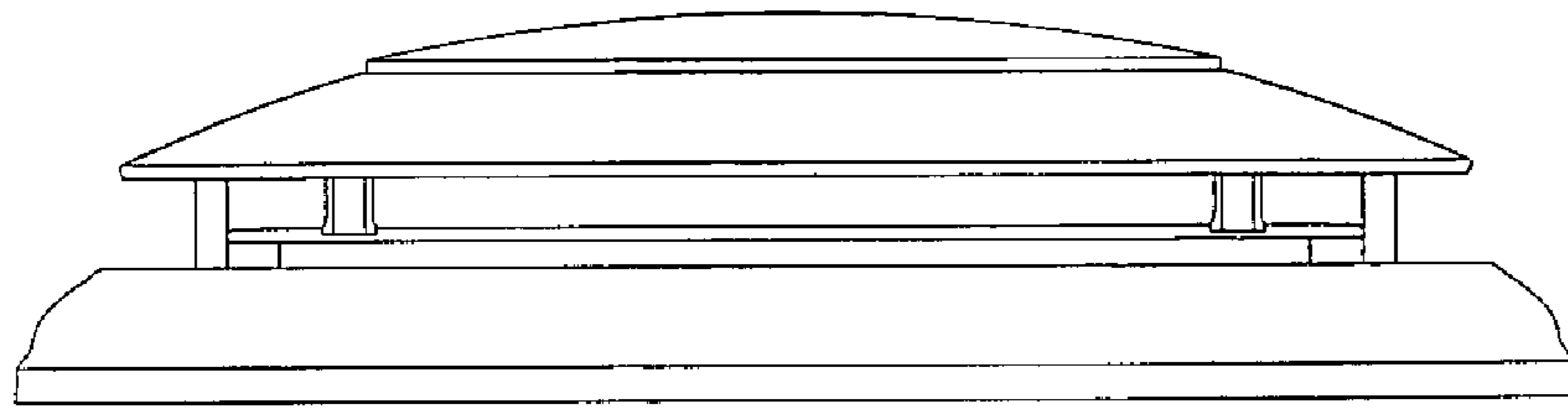


Fig. 3

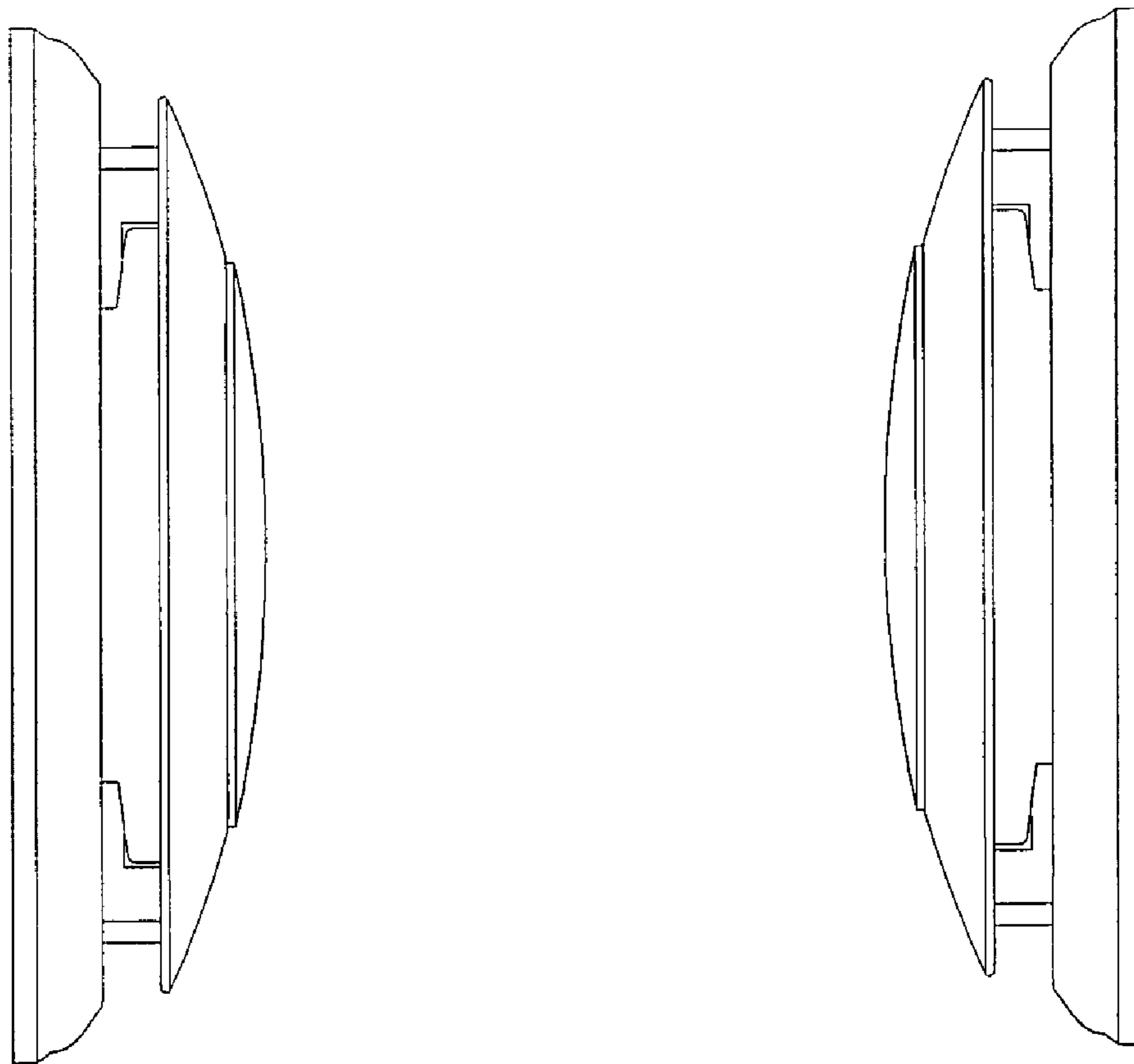


Fig. 4

Fig. 5

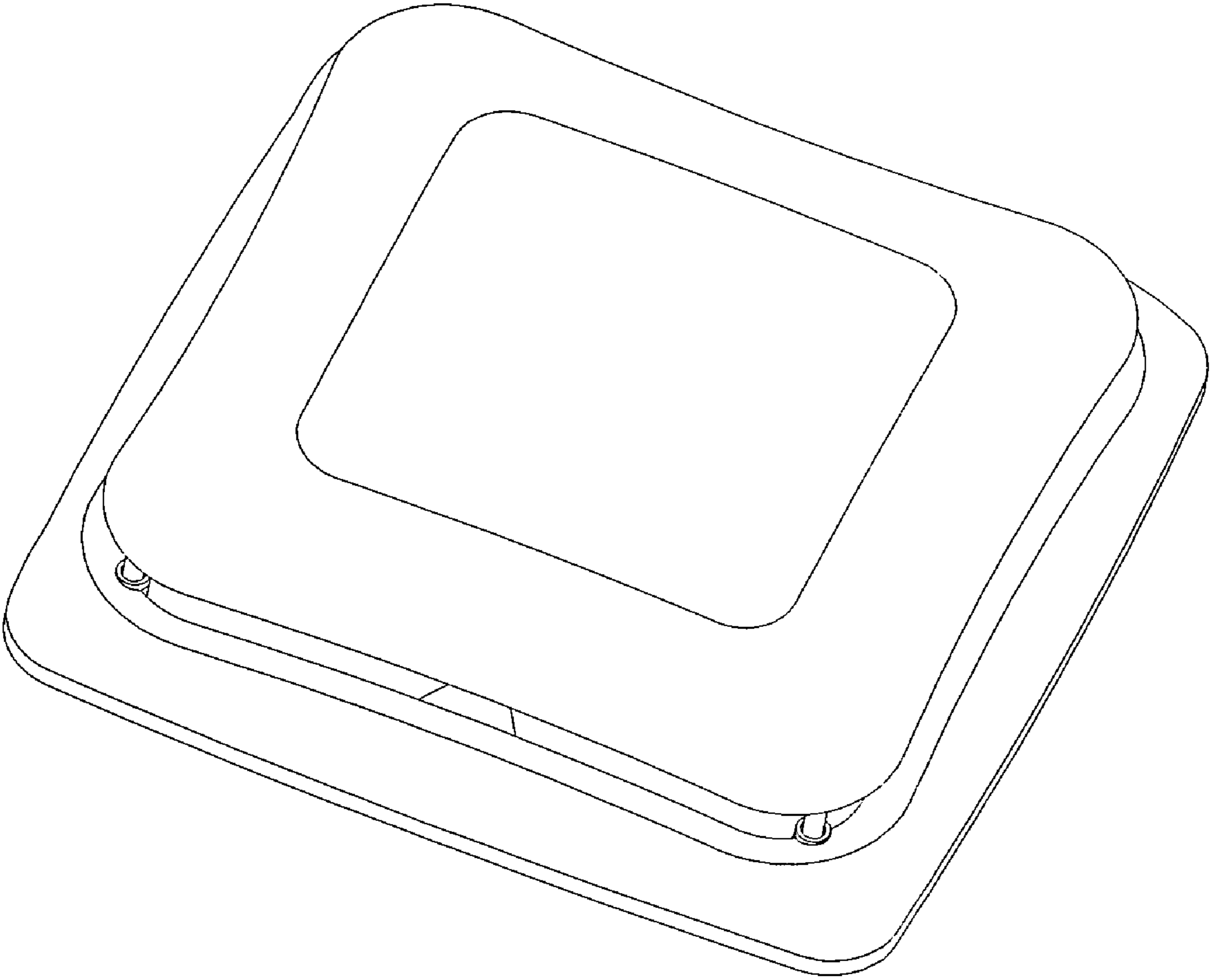


Fig. 6