



US00D570981S

(12) **United States Design Patent**
McClelland

(10) **Patent No.:** **US D570,981 S**
(45) **Date of Patent:** **** Jun. 10, 2008**

(54) **FAN MODULE HAVING A HANDLE**

(57) **CLAIM**

(75) Inventor: **Belgie B. McClelland**, Houston, TX (US)

The ornamental design for a fan module having a handle, as shown and described.

(73) Assignee: **Hewlett-Packard Development Company, L.P.**, Houston, TX (US)

DESCRIPTION

(**) Term: **14 Years**

FIG. 1 is a front perspective view of the design for the fan module having a handle showing my new design;

(21) Appl. No.: **29/258,894**

FIG. 2 is a top side elevational view of the design for the fan module having a handle as illustrated in FIG. 1; and

(22) Filed: **Apr. 28, 2006**

FIG. 3 is a front plan view of the design for the fan module having a handle as illustrated in FIG. 1;

(51) **LOC (8) Cl.** **23-04**

FIG. 4 is a left side elevational view of the design for the fan module having a handle as illustrated in FIG. 1, wherein the right side elevational view is substantially the same as the illustrated left side;

(52) **U.S. Cl.** **D23/370**

(58) **Field of Classification Search** D23/382,
D23/381, 370, 413, 411, 412; 416/244 R,
416/246, 247 R

See application file for complete search history.

FIG. 5 is a rear perspective view of the design for a fan module having a handle as illustrated in FIG. 1; and,

(56) **References Cited**

U.S. PATENT DOCUMENTS

D534,267 S * 12/2006 Andersen et al. D23/370

FIG. 6 is a front plan view of the design for a fan module having a handle as illustrated in FIG. 1, showing the fan module in use.

The broken line showing of a single fan module and, also, a plurality of fan modules having a handle shown in a rack mount server is included for the purpose of illustrating environmental structure and forms no part of the claimed design.

* cited by examiner

Primary Examiner—Lisa Lichtenstein

1 Claim, 6 Drawing Sheets

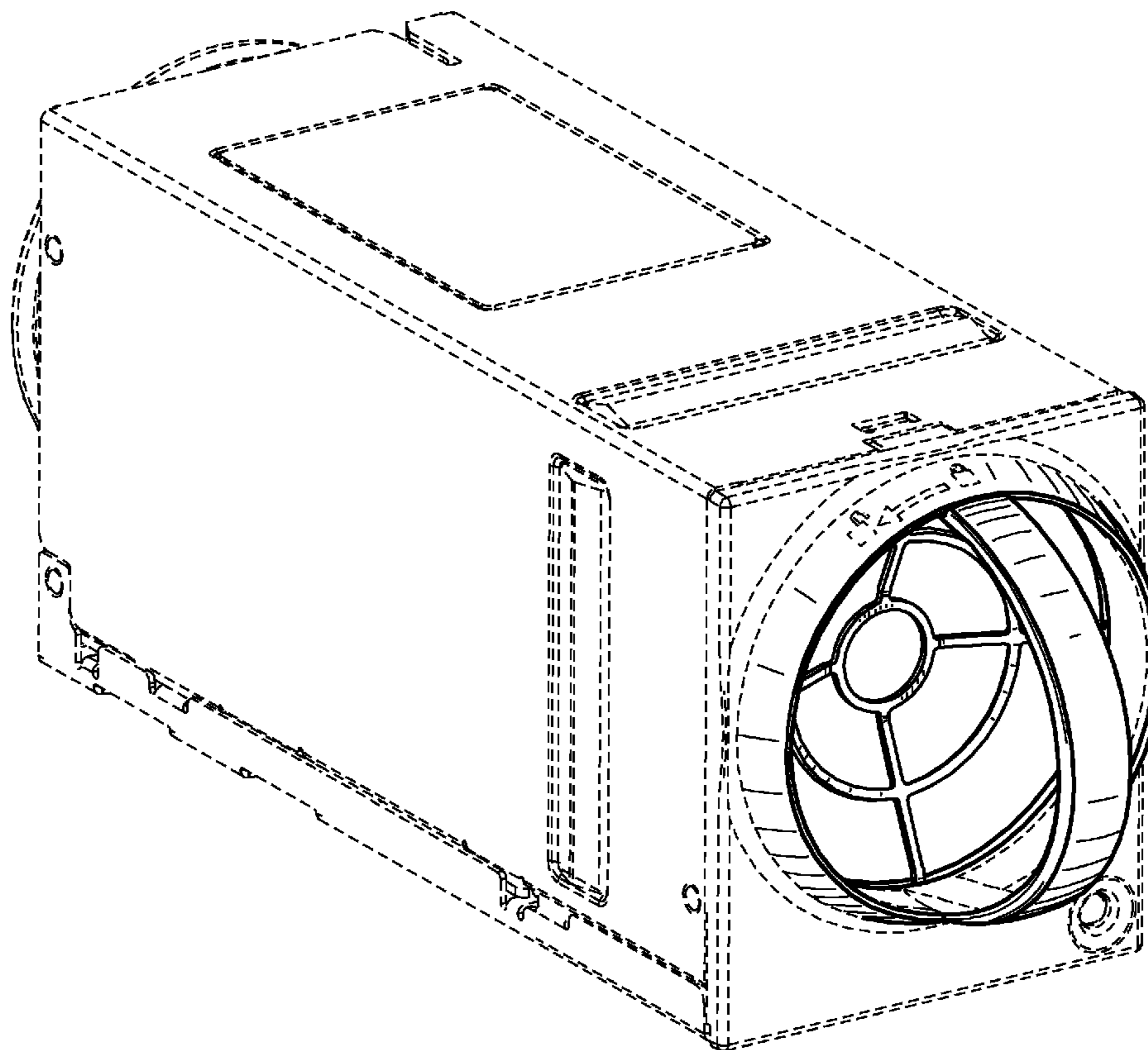
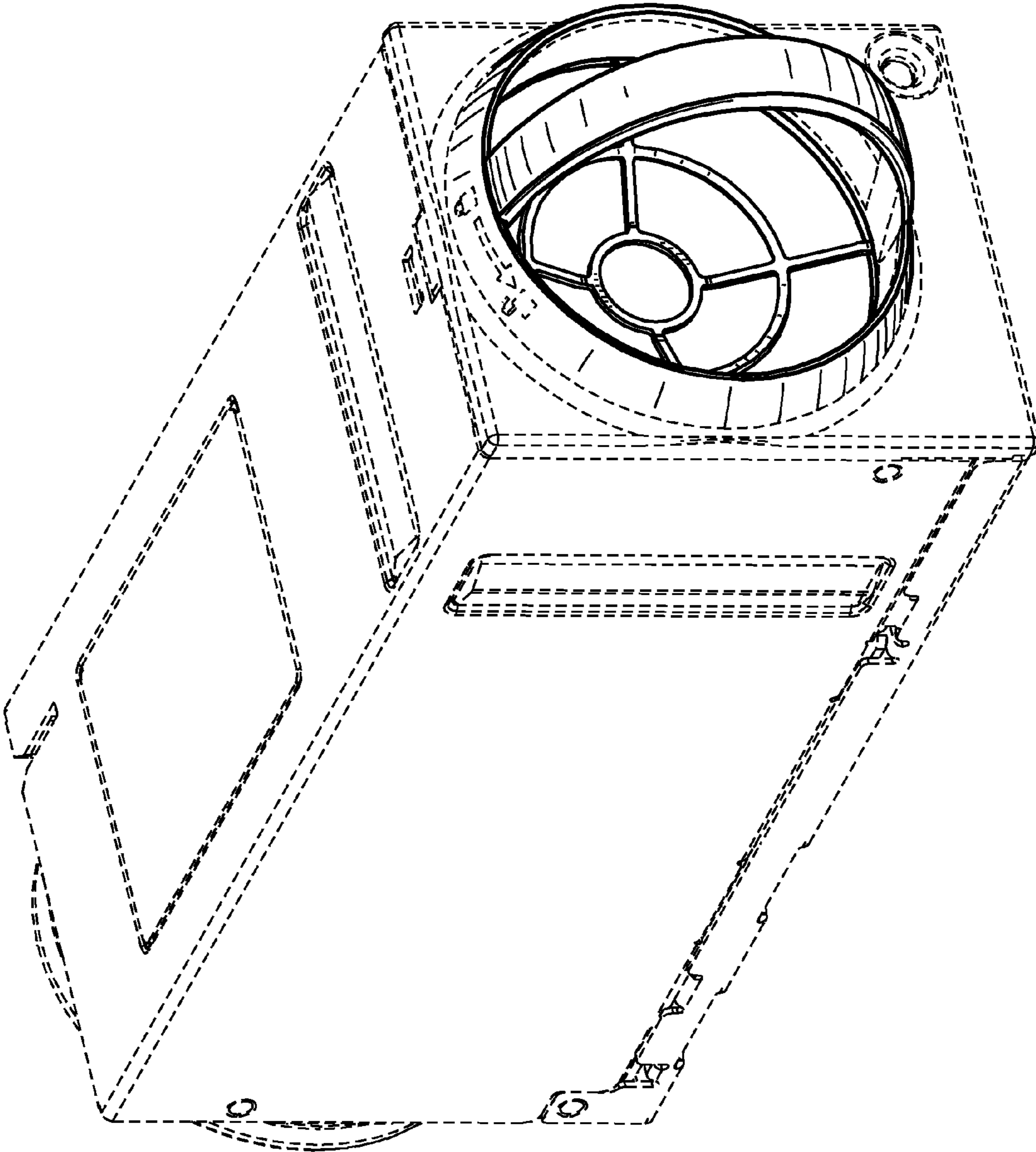


FIG. 1



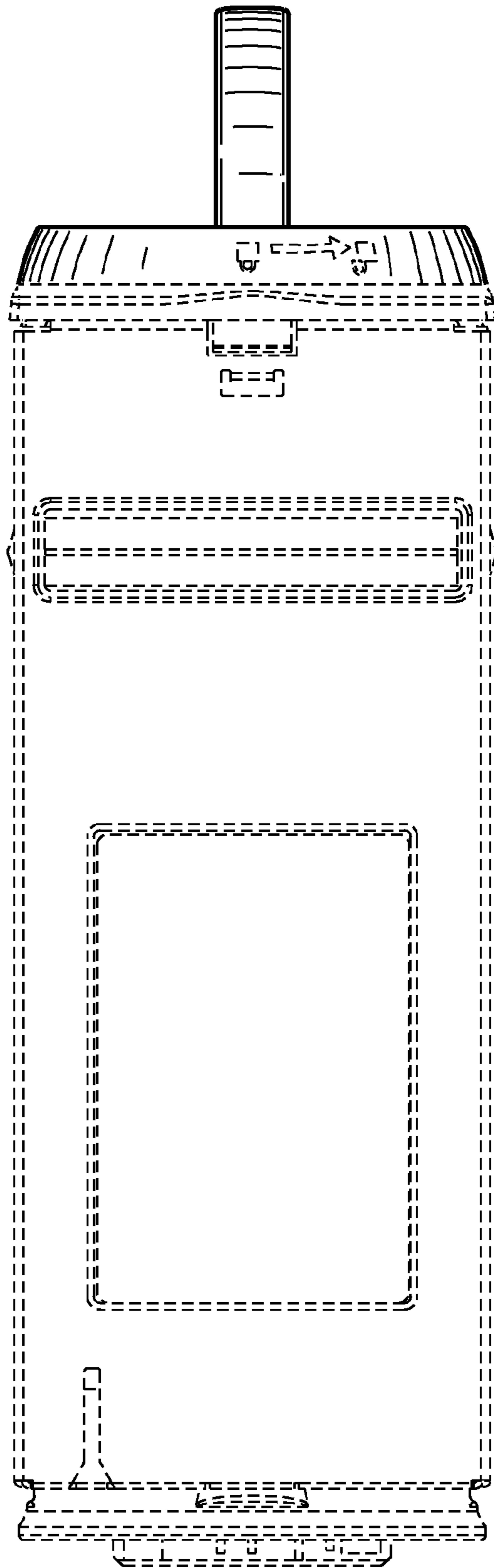


FIG. 2

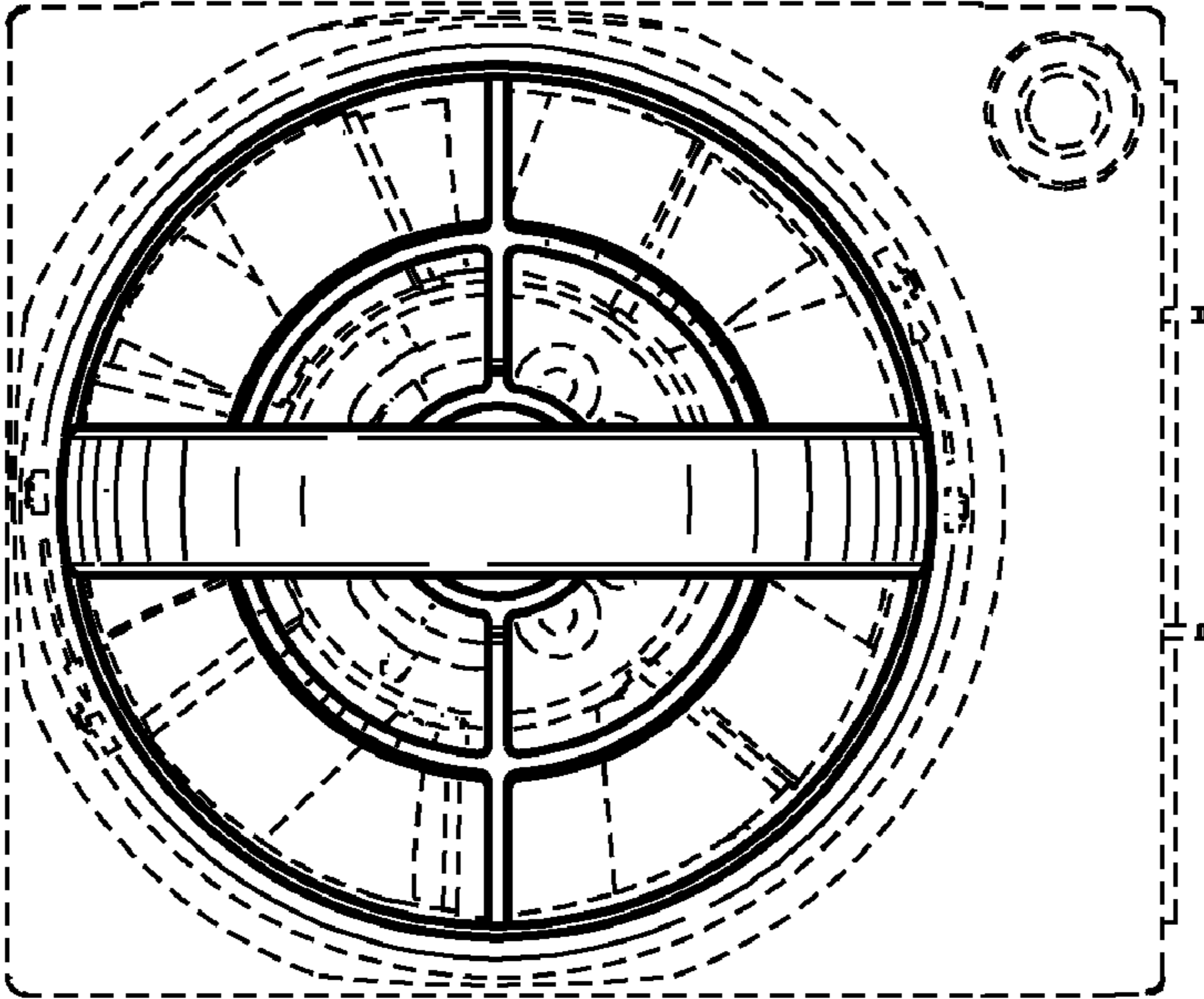


FIG. 3

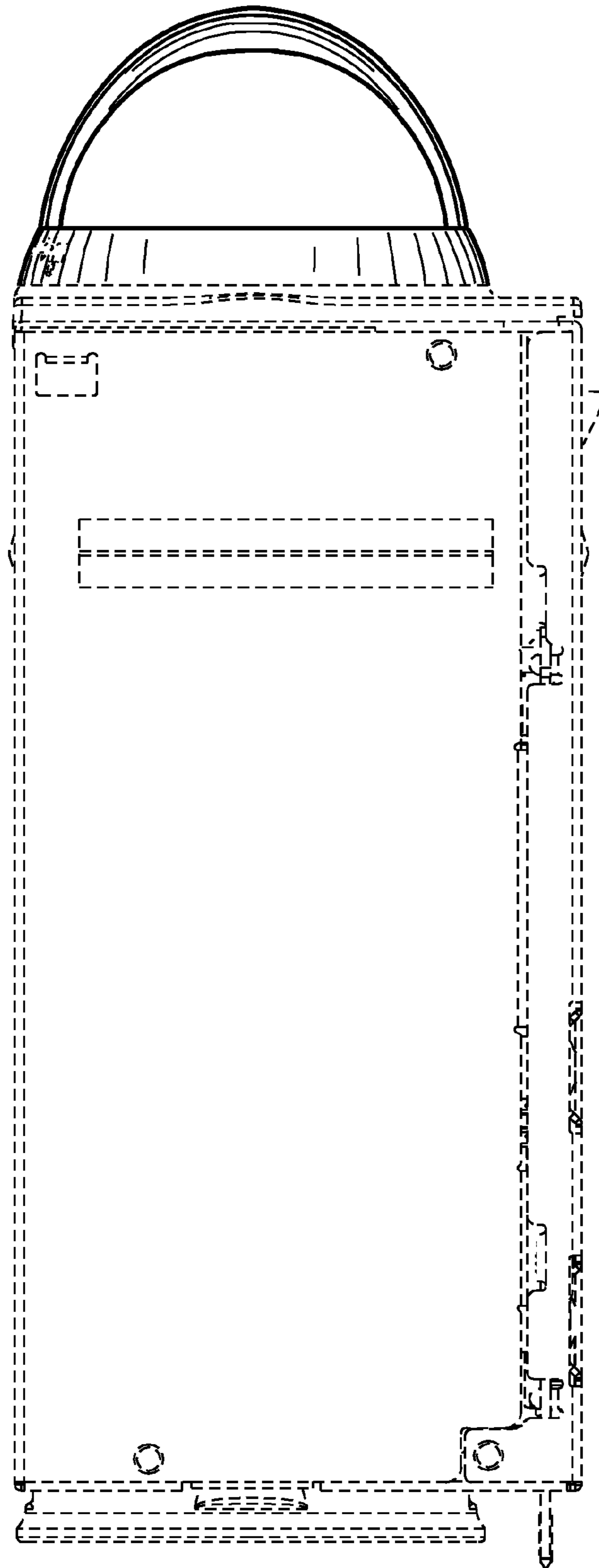


FIG. 4

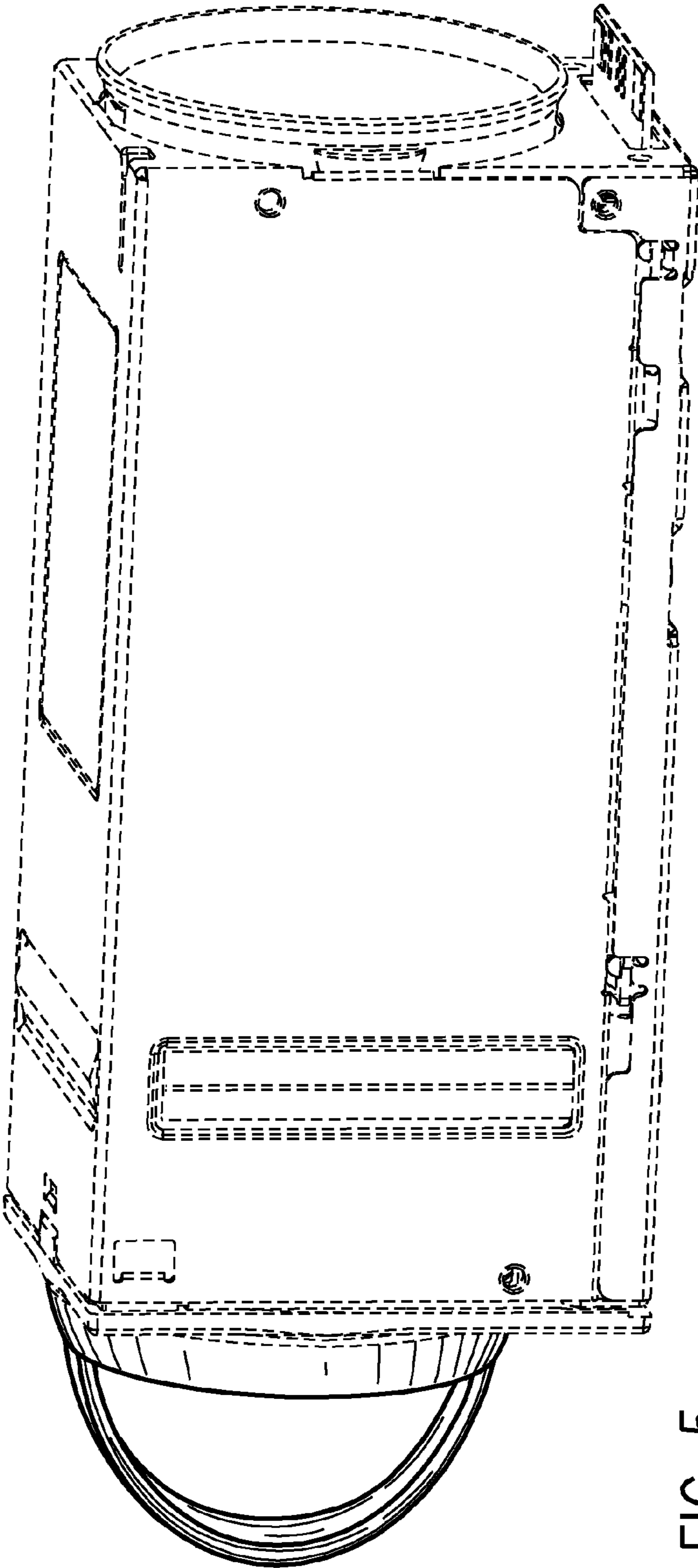


FIG. 5

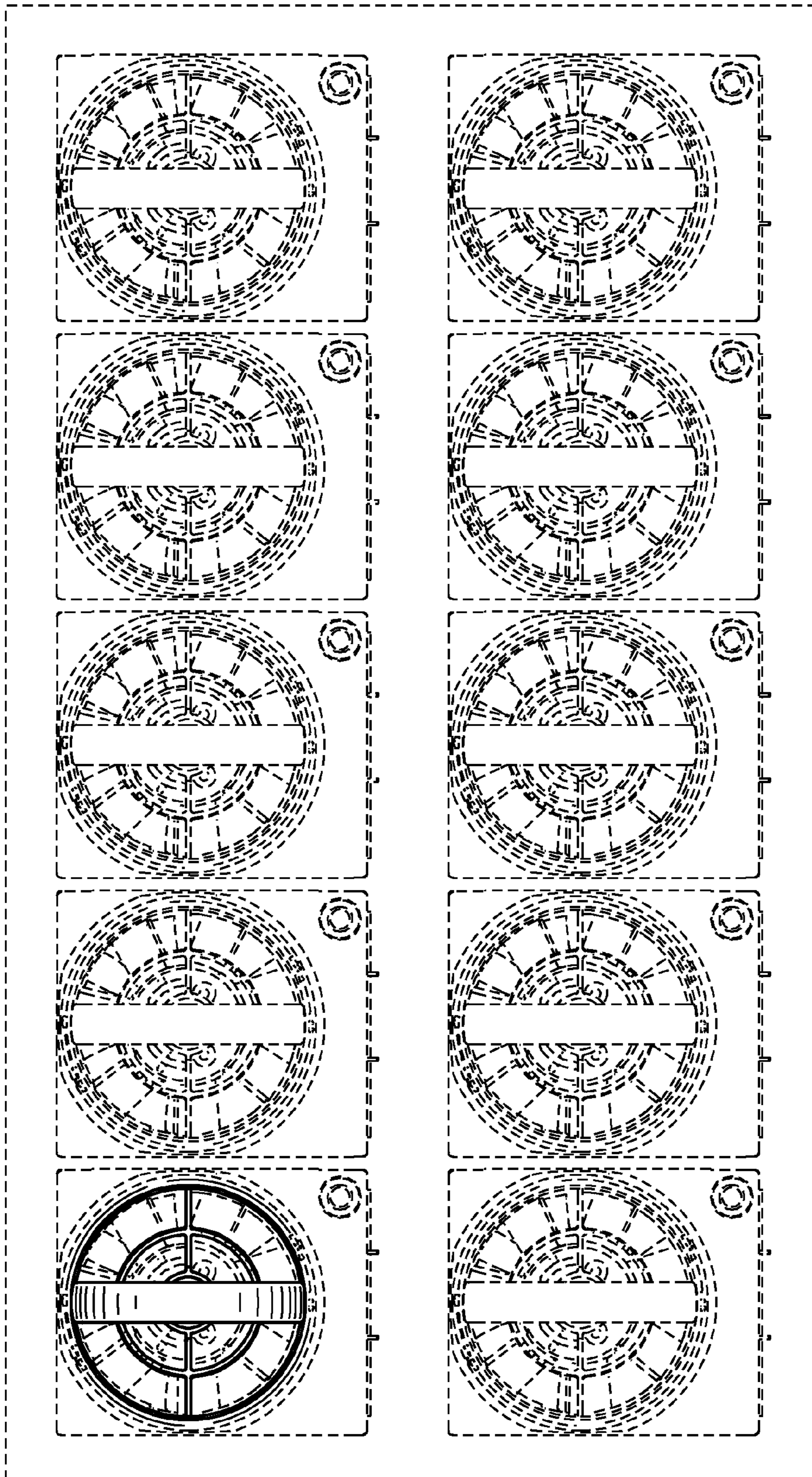


FIG. 6