

US00D570978S

(12) **United States Design Patent** (10) **Patent No.:** **US D570,978 S**
McColgin et al. (45) **Date of Patent:** **** Jun. 10, 2008**

(54) **BISTRO TABLE HEATER**

(75) Inventors: **Jerry McColgin**, Westfield, IN (US);
Maureen Carroll, Atlanta, GA (US);
Michael E Docherty, Boca Raton, FL
(US); **Pete Moyer**, Bowling Green, KY
(US); **Chungkin Yee**, Bowling Green,
KY (US); **Ken Maitland**, Bowling
Green, KY (US); **Griffin Bland**,
Bowling Green, KY (US)

(73) Assignee: **Genlyte Thomas Group, LLC**,
Louisville, KY (US)

(**) Term: **14 Years**

(21) Appl. No.: **29/276,717**

(22) Filed: **Feb. 2, 2007**

(51) **LOC (8) Cl.** **23-03**

(52) **U.S. Cl.** **D23/342; D23/336**

(58) **Field of Classification Search** D23/317,
D23/332-342, 351, 355, 370, 378, 381, 364;
416/244 R, 247 R, 53.1, 53.2, 53.3; 392/365-369,
392/373-376

See application file for complete search history.

(56) **References Cited**

U.S. PATENT DOCUMENTS

| | | | |
|---------------|---------|-----------------------|----------|
| D65,432 S * | 8/1924 | Conroy et al. | D23/336 |
| D83,092 S * | 1/1931 | Chadweck et al. | D23/342 |
| D102,181 S * | 12/1936 | Engl | D23/336 |
| D143,684 S * | 1/1946 | Van Fleet | D23/336 |
| D148,652 S * | 2/1948 | Steingruber | D23/335 |
| 3,934,572 A * | 1/1976 | Teague, Jr. | 126/92 B |
| D274,836 S * | 7/1984 | Smith | D23/337 |
| D276,067 S * | 10/1984 | Mori et al. | D23/336 |
| D276,068 S * | 10/1984 | Mori et al. | D23/336 |
| D277,697 S * | 2/1985 | Kojima et al. | D23/338 |

| | | | |
|--------------|---------|-------------------------|---------|
| D287,873 S * | 1/1987 | Gillotti | D23/341 |
| D295,312 S * | 4/1988 | Nakamura | D23/338 |
| D296,358 S * | 6/1988 | Sawa et al. | D23/338 |
| D298,049 S * | 10/1988 | Takahashi | D23/336 |
| D299,525 S * | 1/1989 | Nasui et al. | D23/336 |
| D300,455 S * | 3/1989 | Sakai | D23/336 |
| D300,456 S * | 3/1989 | Sakai | D23/336 |
| D343,231 S * | 1/1994 | Lim | D23/336 |
| D374,712 S * | 10/1996 | Jane et al. | D23/336 |
| D452,301 S * | 12/2001 | Schwartz et al. | D23/328 |
| D461,548 S * | 8/2002 | Hsieh | D23/342 |
| D472,623 S * | 4/2003 | Bossler | D23/328 |
| D486,211 S * | 2/2004 | Chan et al. | D23/332 |
| D538,414 S * | 3/2007 | Bilotti et al. | D23/332 |

* cited by examiner

Primary Examiner—Louis S Zarfaz

Assistant Examiner—Eric L Goodman

(74) *Attorney, Agent, or Firm*—John F. Salazar; Middleton Reutlinger

(57) **CLAIM**

The ornamental design for a bistro table heater, as shown and described.

DESCRIPTION

FIG. 1 is a perspective view of the bistro table heater showing the design;

FIG. 2 is a front view thereof;

FIG. 3 is a left side view thereof;

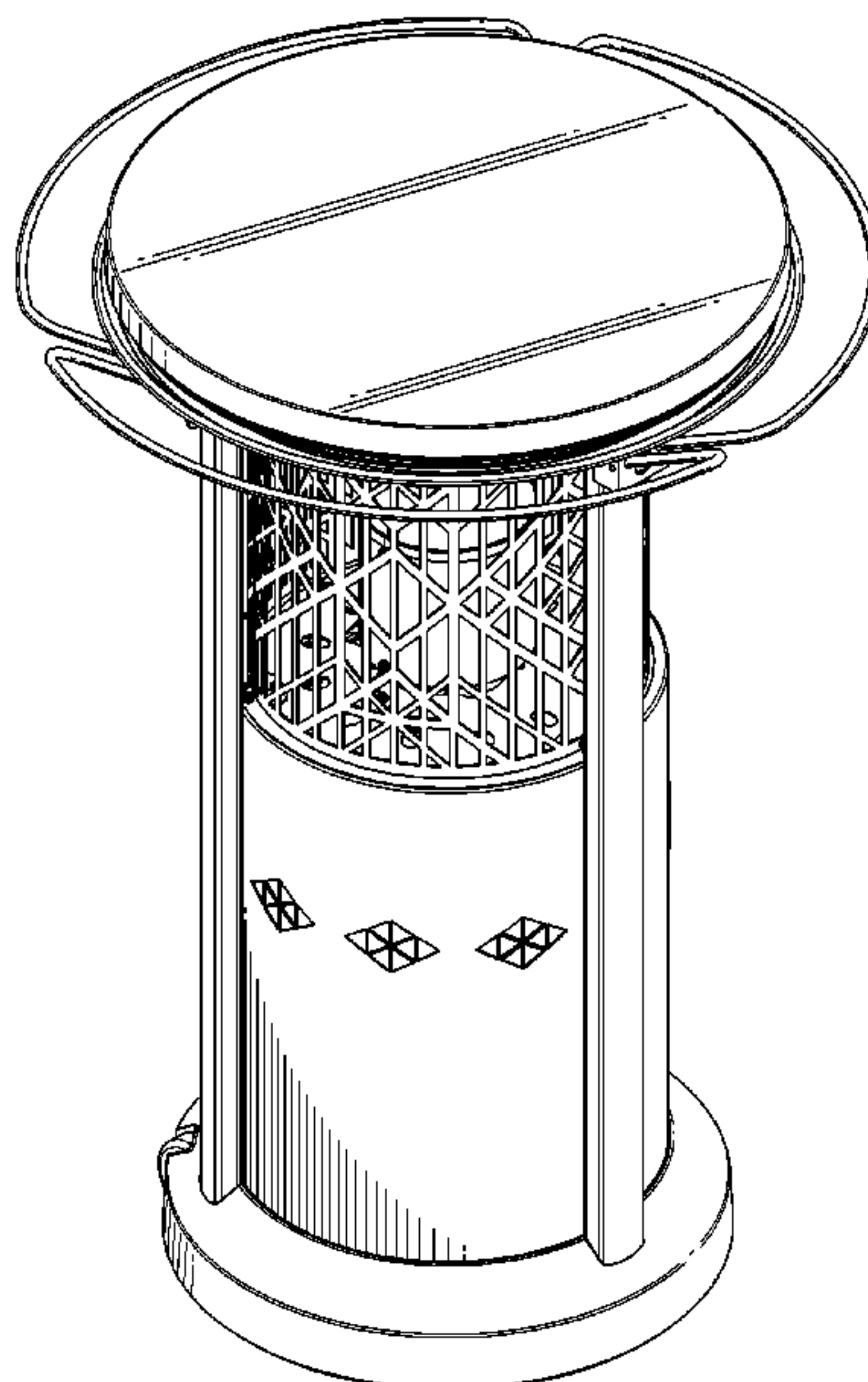
FIG. 4 is a right side view thereof;

FIG. 5 is a rear view thereof; and,

FIG. 6 is a top view thereof.

The bottom view is not shown, as it forms no part of the claimed design.

1 Claim, 6 Drawing Sheets



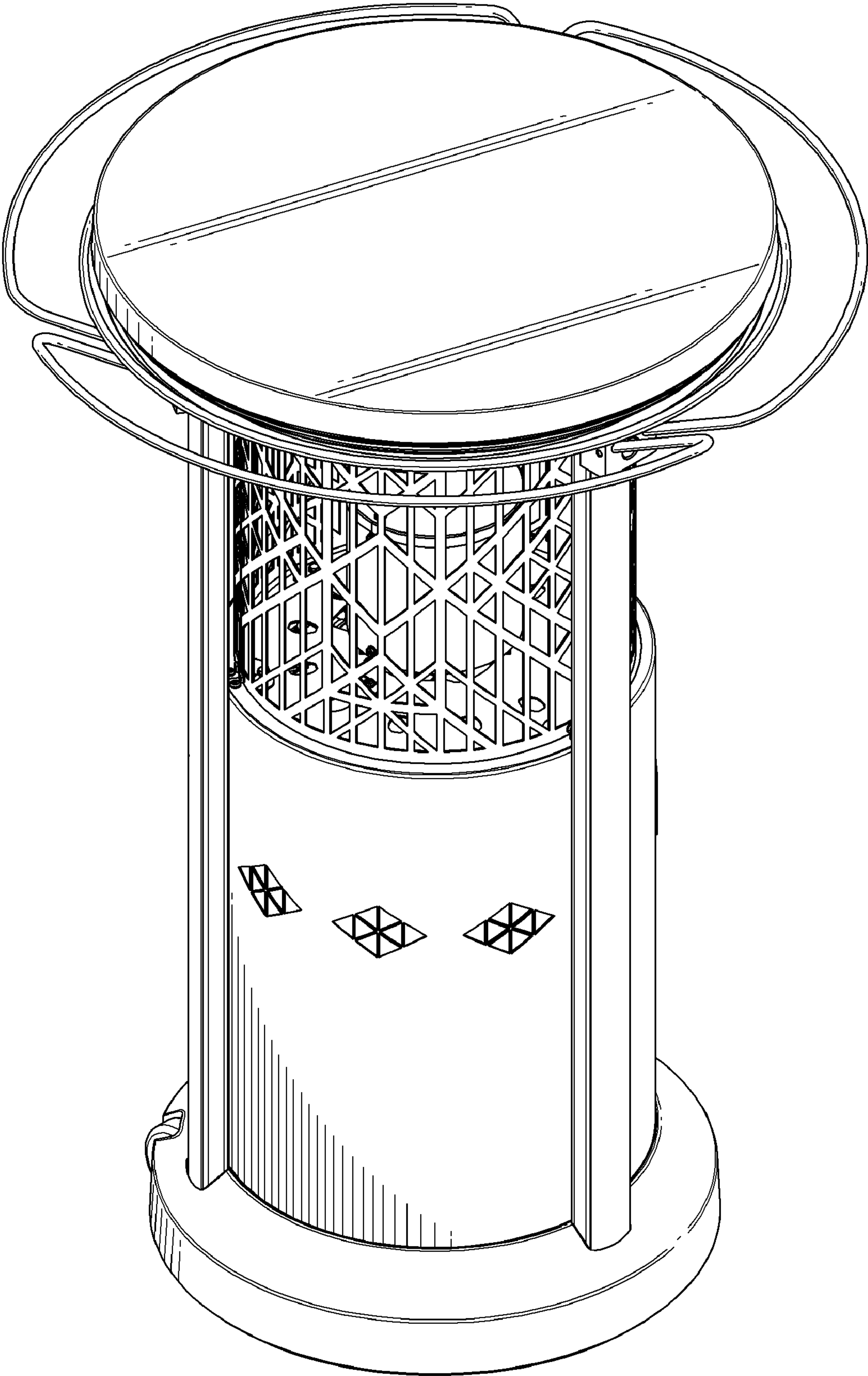


FIG. 1

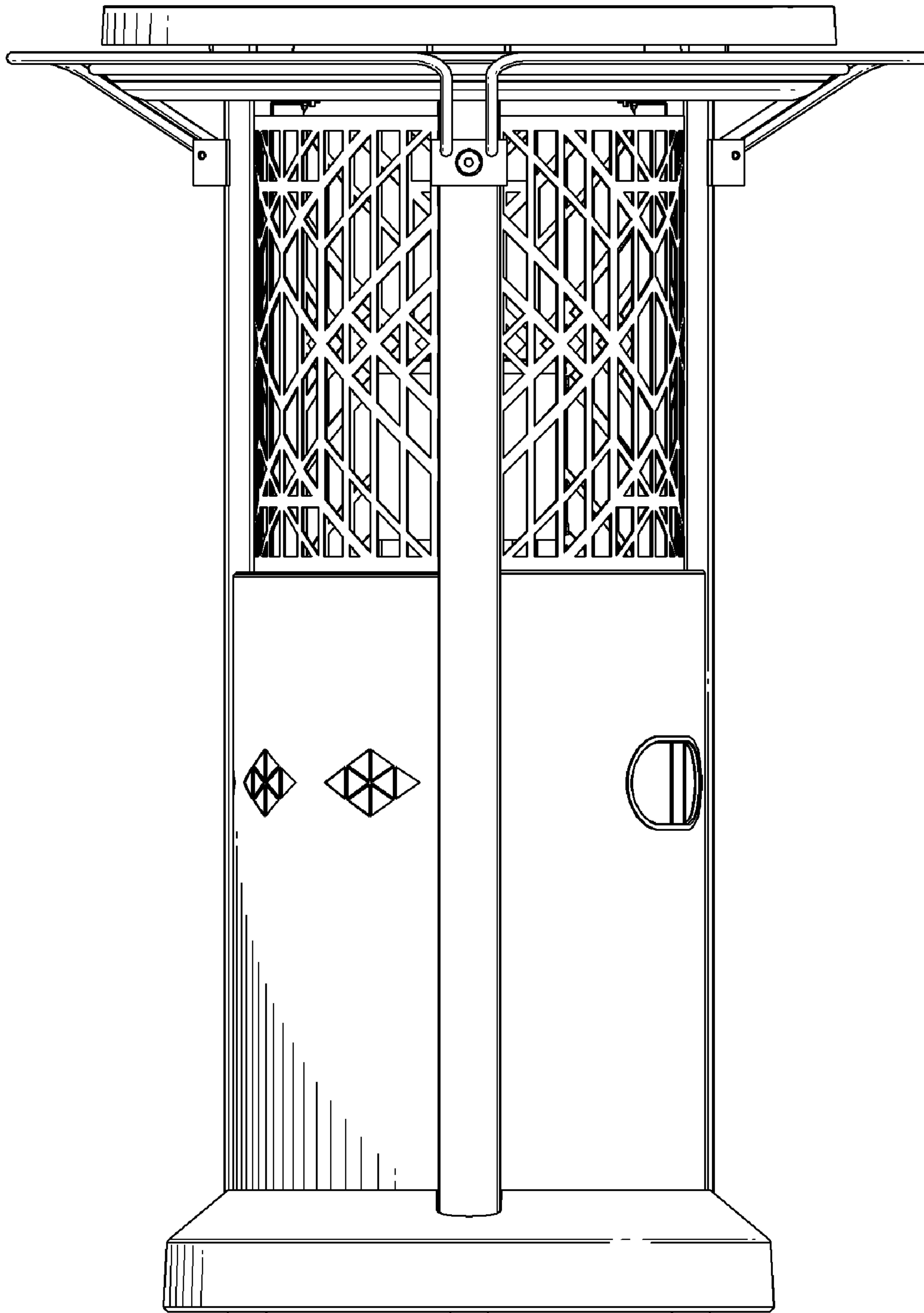


FIG. 2

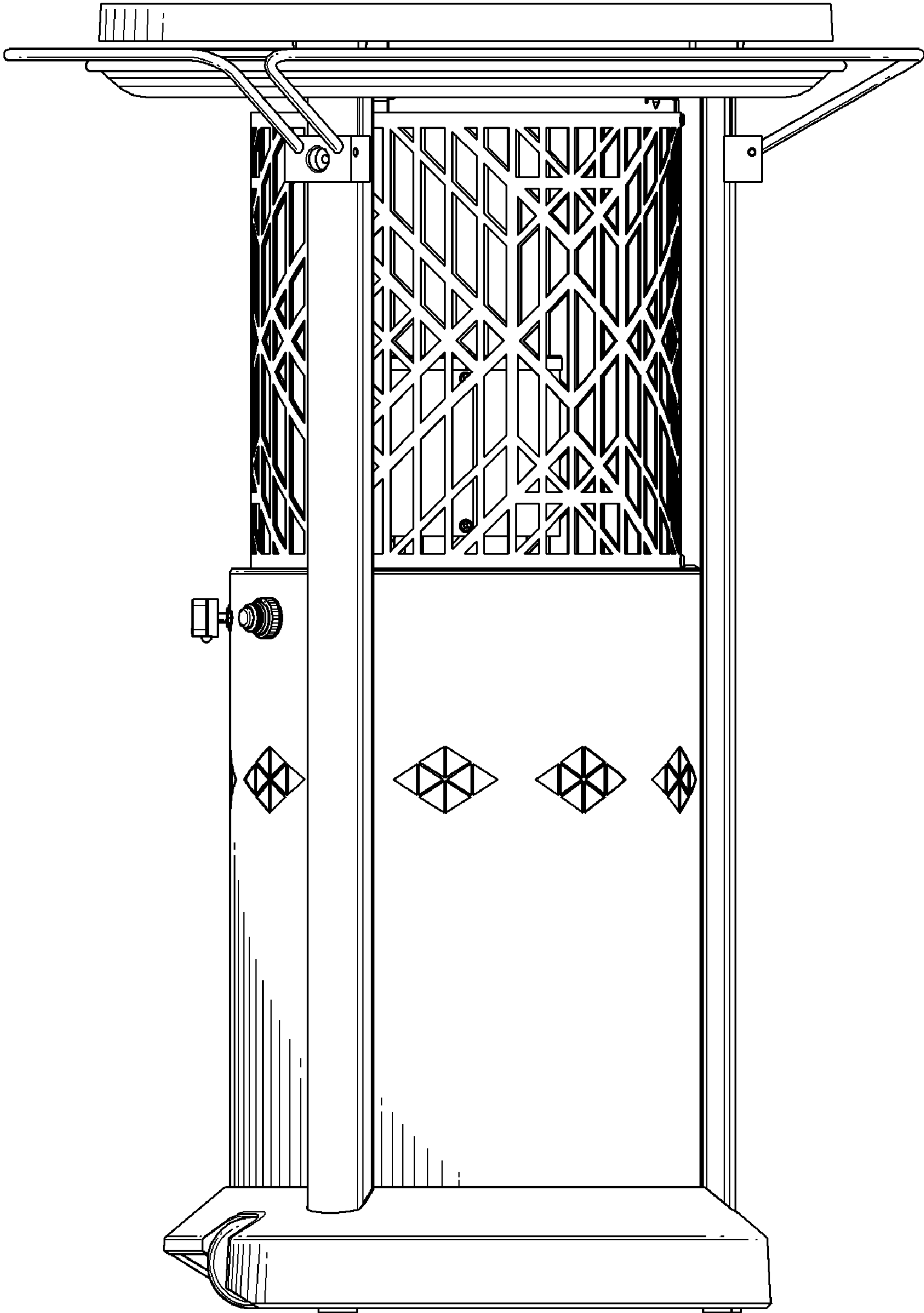


FIG. 3

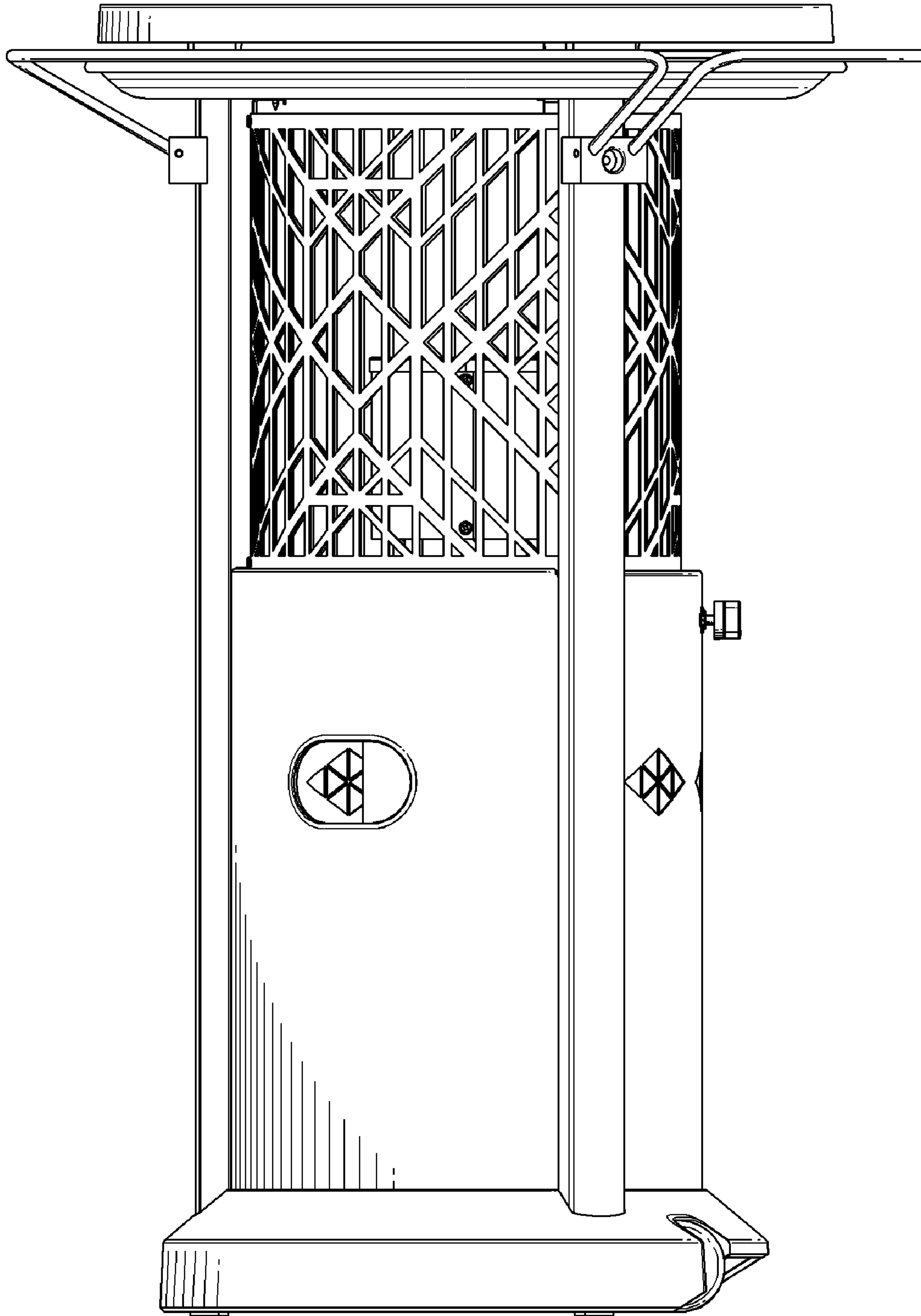


FIG. 4

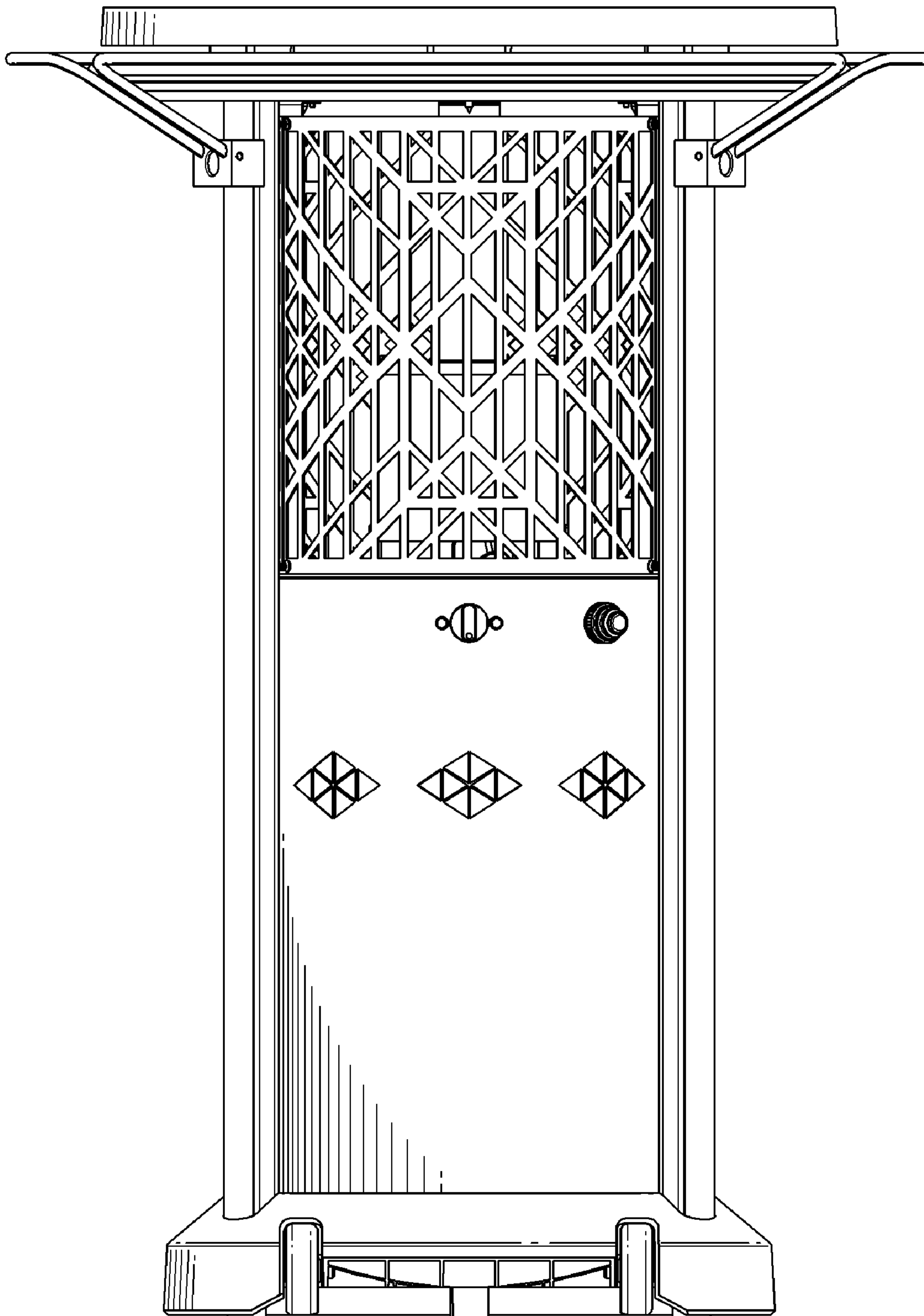


FIG. 5

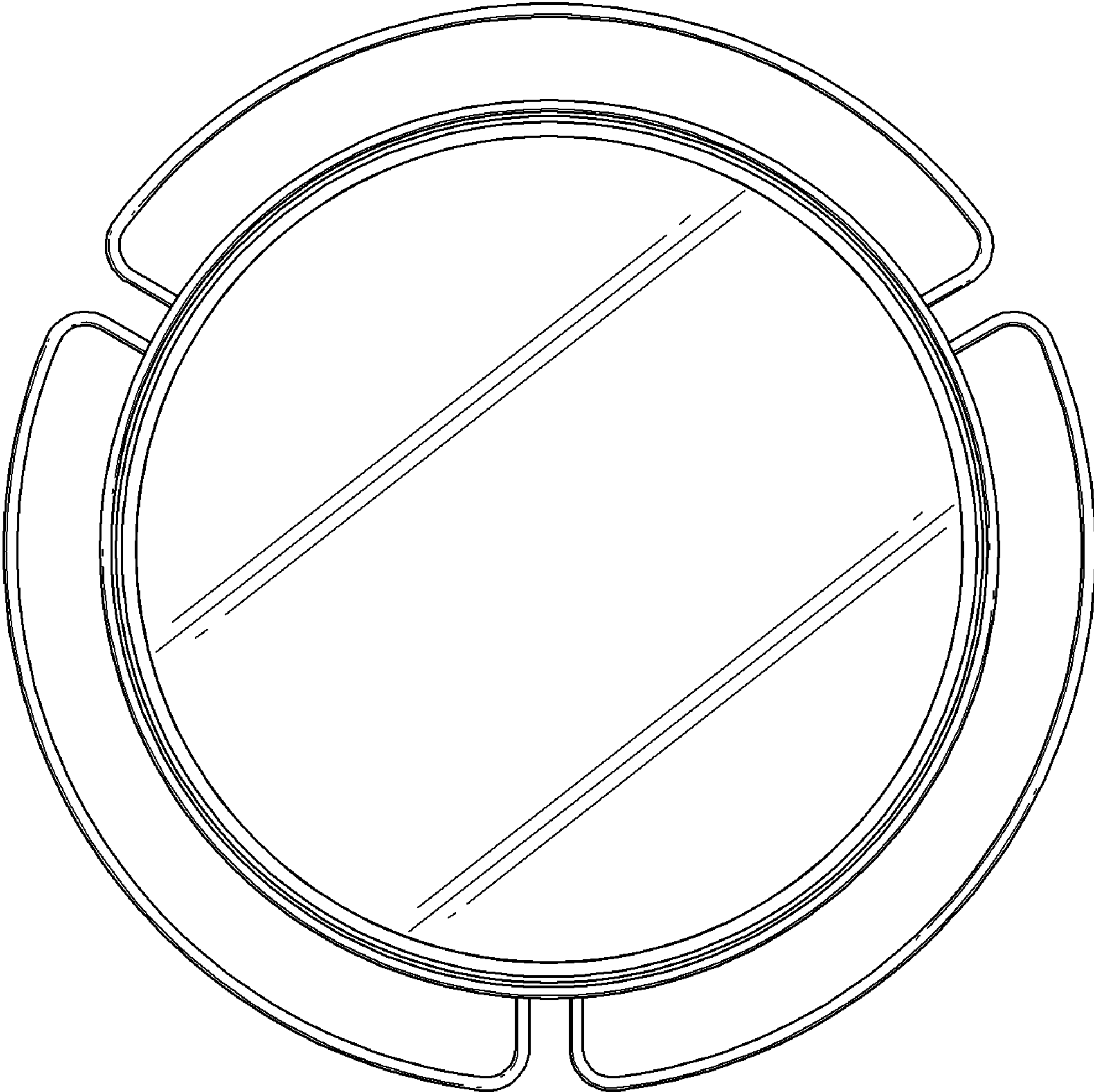


FIG. 6

UNITED STATES PATENT AND TRADEMARK OFFICE
CERTIFICATE OF CORRECTION

PATENT NO. : Des. 570,978 S
APPLICATION NO. : 29/276717
DATED : June 10, 2008
INVENTOR(S) : McColgin et al.

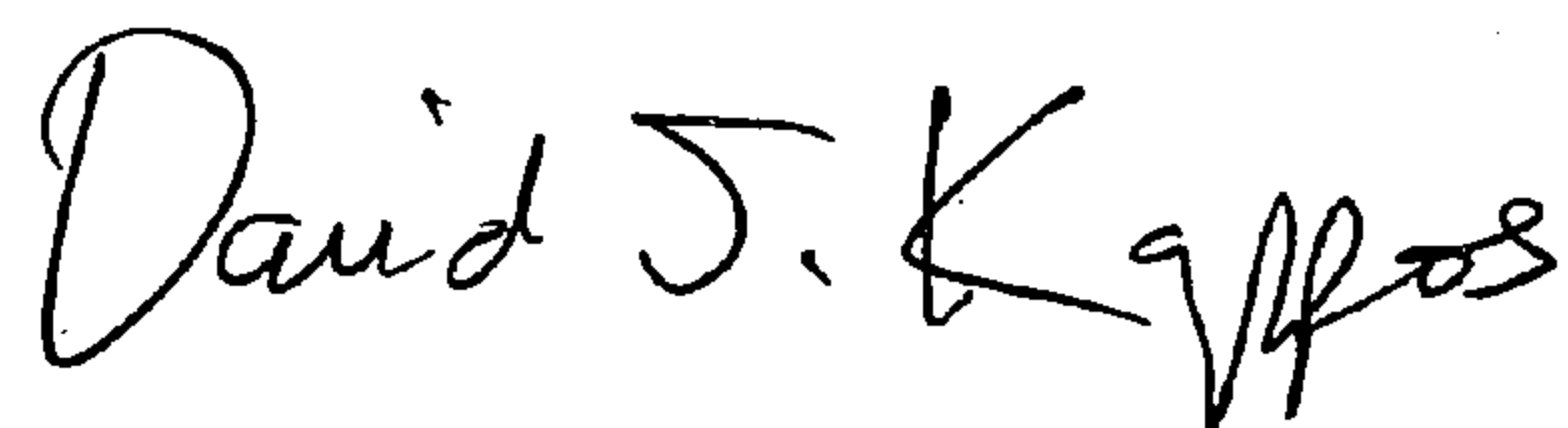
Page 1 of 1

It is certified that error appears in the above-identified patent and that said Letters Patent is hereby corrected as shown below:

Title page, item 73 Assignee: change "Genlyte Thomas Group, LLC, Louisville, KY (US)" to
-- DESA IP, LLC, Miami, FL (US) --

Signed and Sealed this

Seventh Day of September, 2010

A handwritten signature in black ink that reads "David J. Kappos". The signature is written in a cursive style with a large initial 'D' and a stylized 'K'.

David J. Kappos
Director of the United States Patent and Trademark Office