



US00D570977S

(12) **United States Design Patent**
McColgin et al.

(10) **Patent No.:** **US D570,977 S**
(45) **Date of Patent:** **** Jun. 10, 2008**

(54) **BISTRO TABLE HEATER**

(75) Inventors: **Jerry McColgin**, Westfield, IN (US);
Maureen Carroll, Atlanta, GA (US);
Michael E Docherty, Boca Raton, FL
(US); **Pete Moyer**, Bowling Green, KY
(US); **Chungkin Yee**, Bowling Green,
KY (US); **Ken Maitland**, Bowling
Green, KY (US); **Griffin Bland**,
Bowling Green, KY (US)

(73) Assignee: **Genlyte Thomas Group, LLC**,
Louisville, KY (US)

(**) Term: **14 Years**

(21) Appl. No.: **29/276,714**

(22) Filed: **Feb. 2, 2007**

(51) **LOC (8) Cl.** **23-03**

(52) **U.S. Cl.** **D23/342; D23/336**

(58) **Field of Classification Search** D23/317,
D23/332-342, 351, 355, 370, 378, 381, 364;
416/244 R, 247 R, 53.1, 53.2, 53.3; 392/365-369,
392/373-376

See application file for complete search history.

(56) **References Cited**

U.S. PATENT DOCUMENTS

D65,432 S *	8/1924	Conroy et al.	D23/336
D83,092 S *	1/1931	Chadweck et al.	D23/342
D102,181 S *	12/1936	Engl	D23/336
D143,684 S *	1/1946	Van Fleet	D23/336
D148,652 S *	2/1948	Steingruber	D23/335
3,934,572 A *	1/1976	Teague, Jr.	126/92 B
D274,836 S *	7/1984	Smith	D23/337
D276,067 S *	10/1984	Mori et al.	D23/336
D276,068 S *	10/1984	Mori et al.	D23/336
D277,697 S *	2/1985	Kojima et al.	D23/338
D287,873 S *	1/1987	Gillotti	D23/341

D295,312 S *	4/1988	Nakamura	D23/338
D296,358 S *	6/1988	Sawa et al.	D23/338
D298,049 S *	10/1988	Takahashi	D23/336
D299,525 S *	1/1989	Nasui et al.	D23/336
D300,455 S *	3/1989	Sakai	D23/336
D300,456 S *	3/1989	Sakai	D23/336
D343,231 S *	1/1994	Lim	D23/336
D374,712 S *	10/1996	Jane et al.	D23/336
D452,301 S *	12/2001	Schwartz et al.	D23/328
D461,548 S *	8/2002	Hsieh	D23/342
D472,623 S *	4/2003	Bossler	D23/328
D486,211 S *	2/2004	Chan et al.	D23/332
D538,414 S *	3/2007	Bilotti et al.	D23/332

* cited by examiner

Primary Examiner—Louis S Zarfaz

Assistant Examiner—Eric L Goodman

(74) *Attorney, Agent, or Firm*—John F. Salazar; Middleton
Reutlinger

(57) **CLAIM**

The ornamental design for a bistro table heater, as shown
and described.

DESCRIPTION

FIG. 1 is a perspective view of the bistro table heater
showing the design;

FIG. 2 is a front view thereof;

FIG. 3 is a left side view thereof;

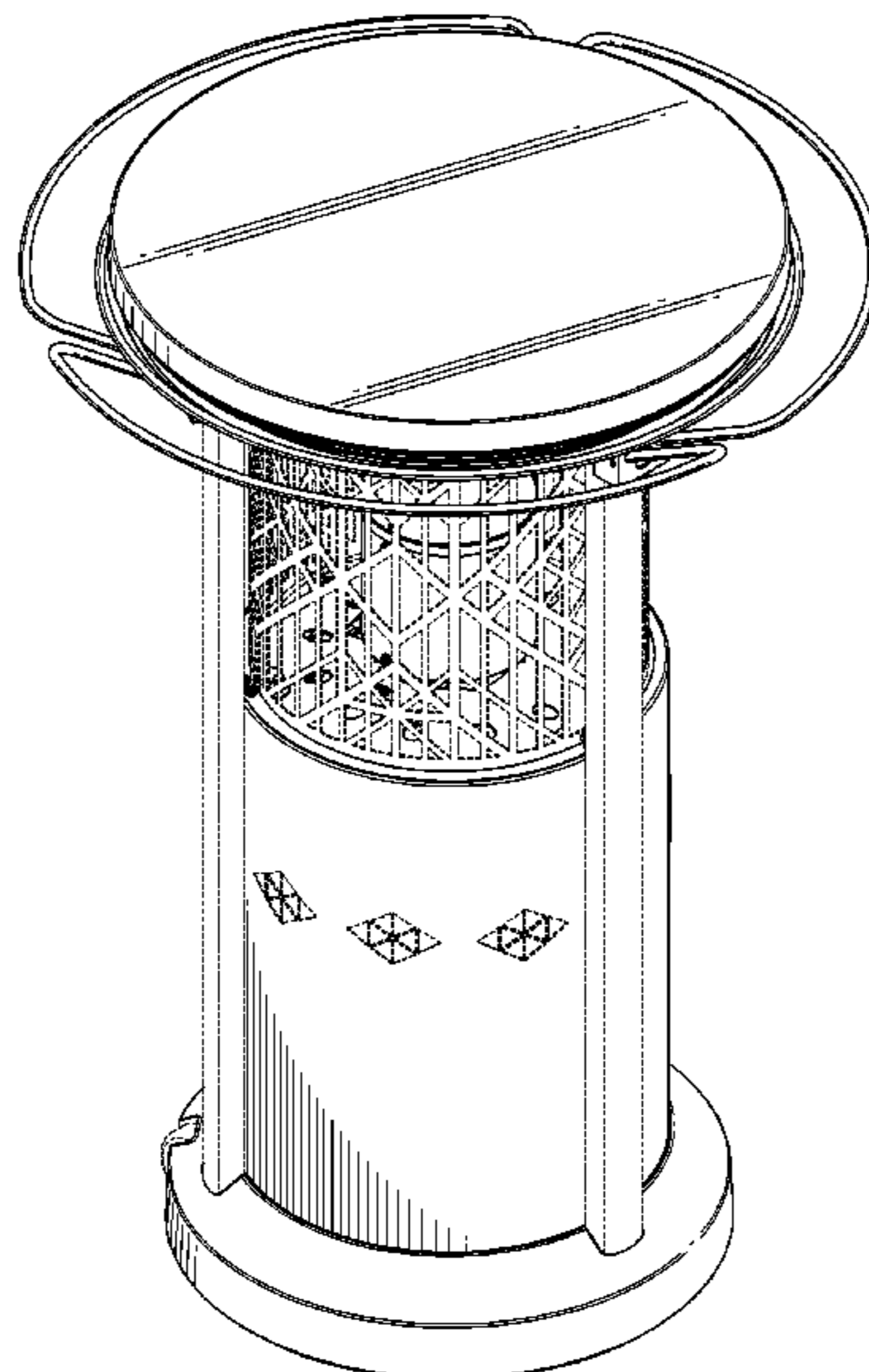
FIG. 4 is a right side view thereof;

FIG. 5 is a rear view thereof; and,

FIG. 6 is a top view thereof.

The bottom view is not shown, as it forms no part of the
claimed design. The broken line showing is for the purpose
of illustrating portions of the article and forms no part of the
claimed design.

1 Claim, 6 Drawing Sheets



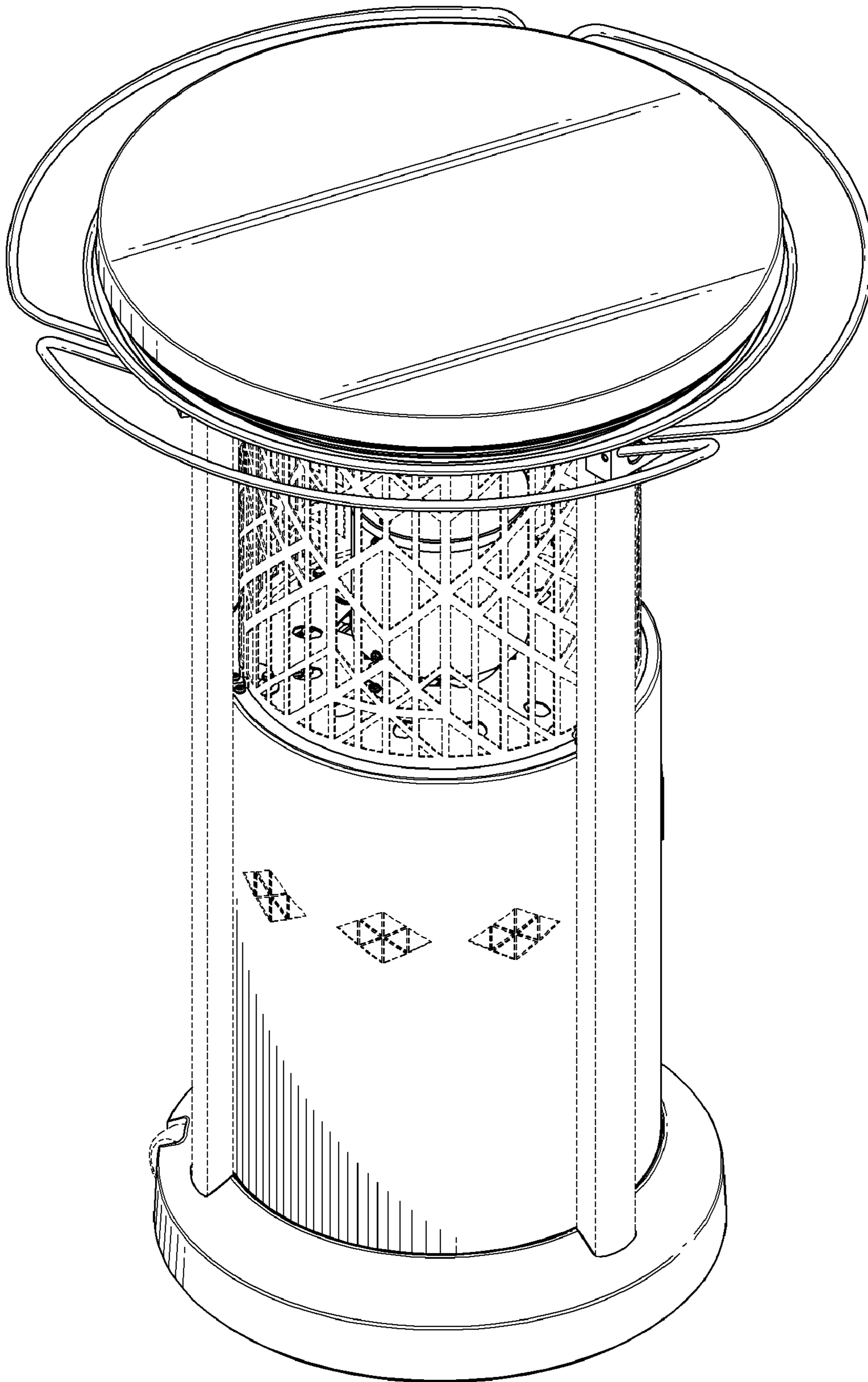


FIG. 1

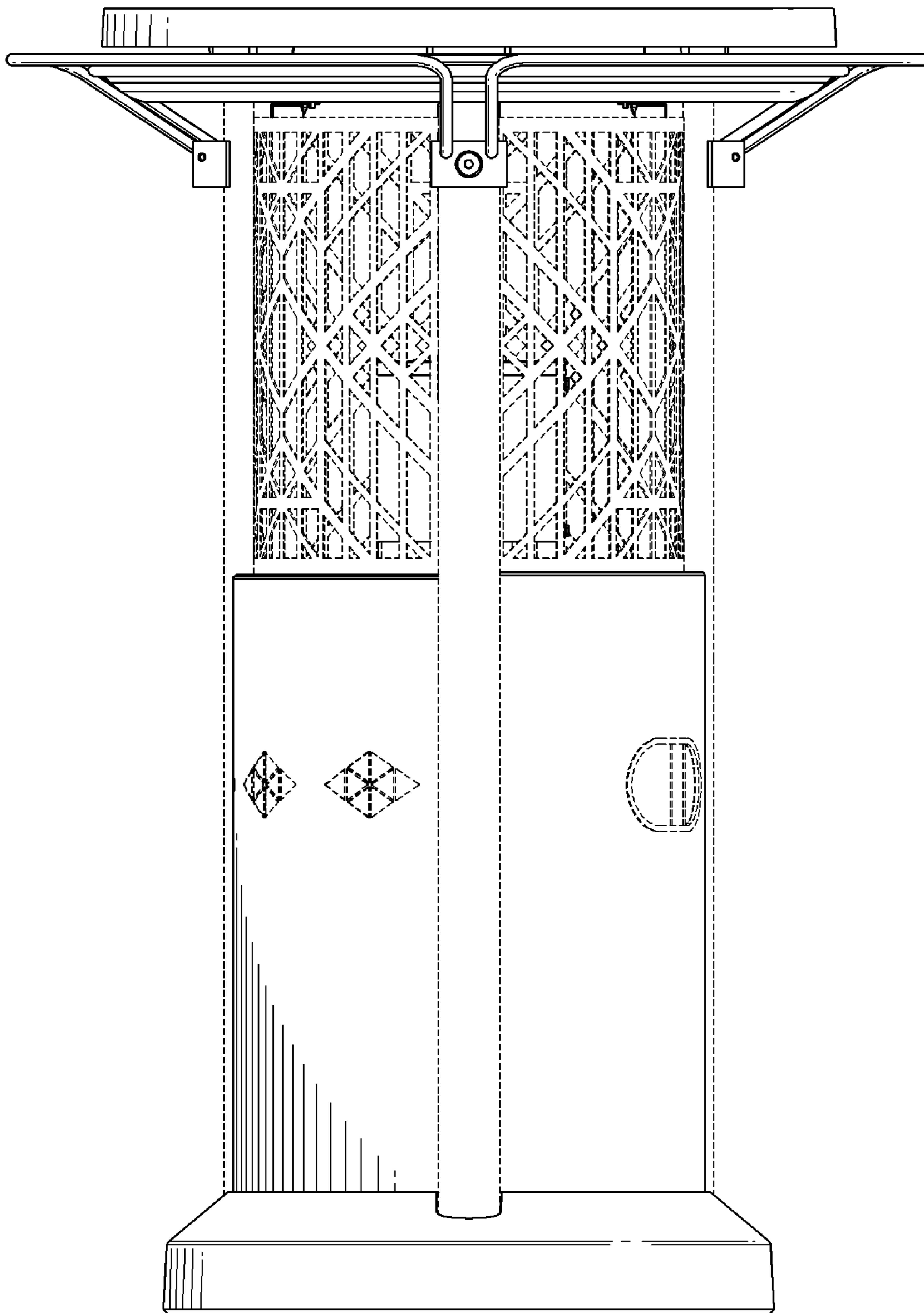


FIG. 2

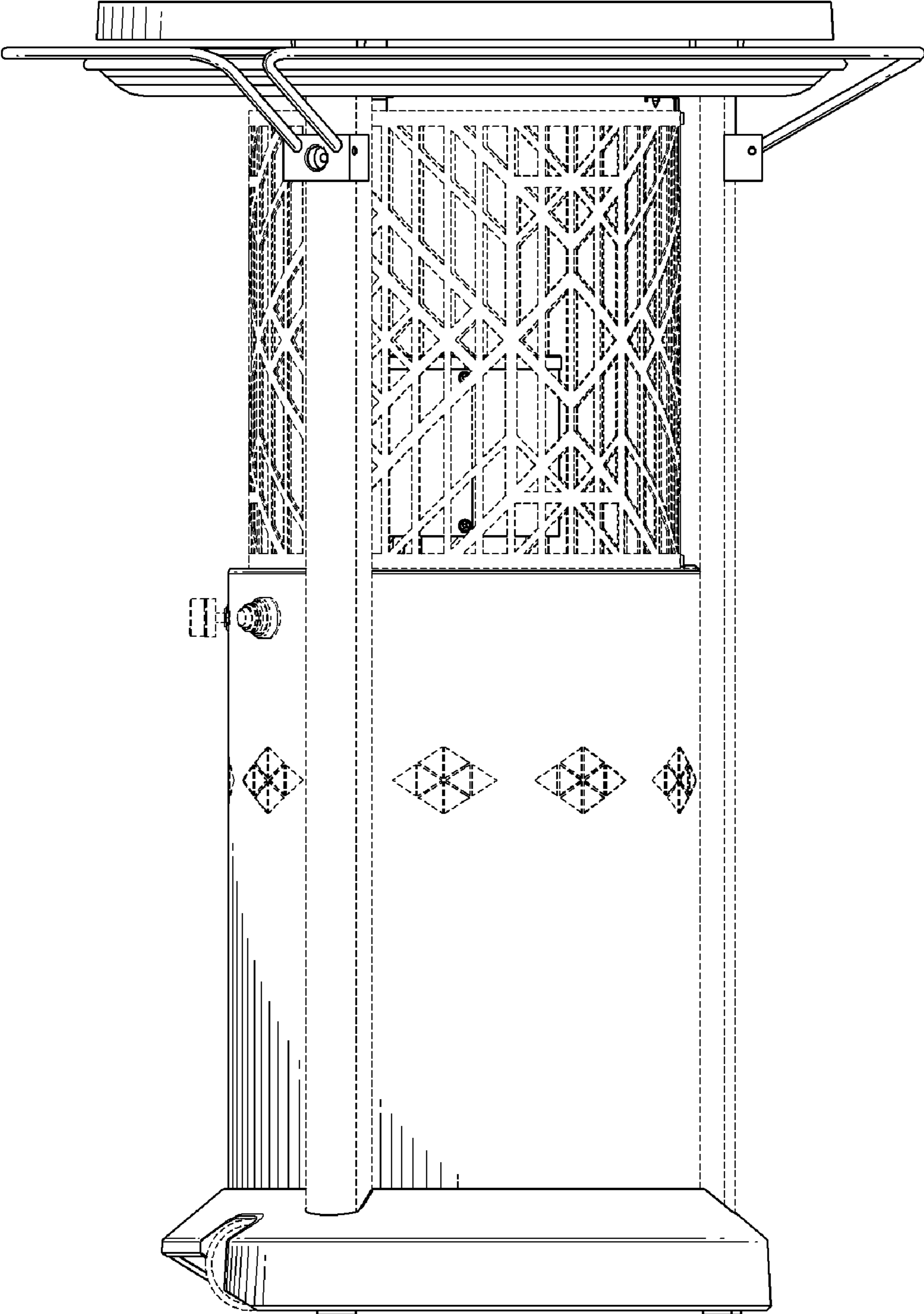


FIG. 3

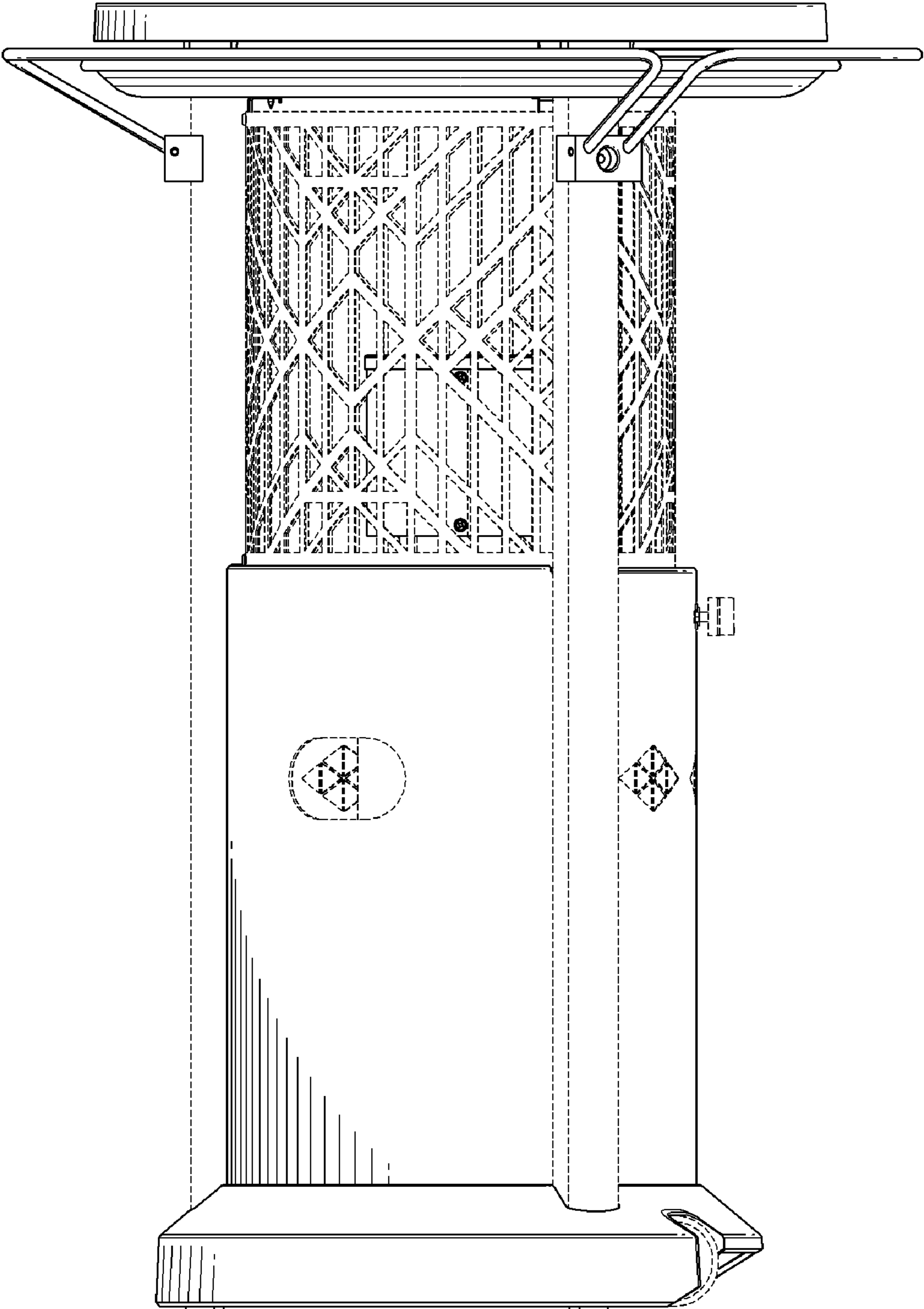


FIG. 4

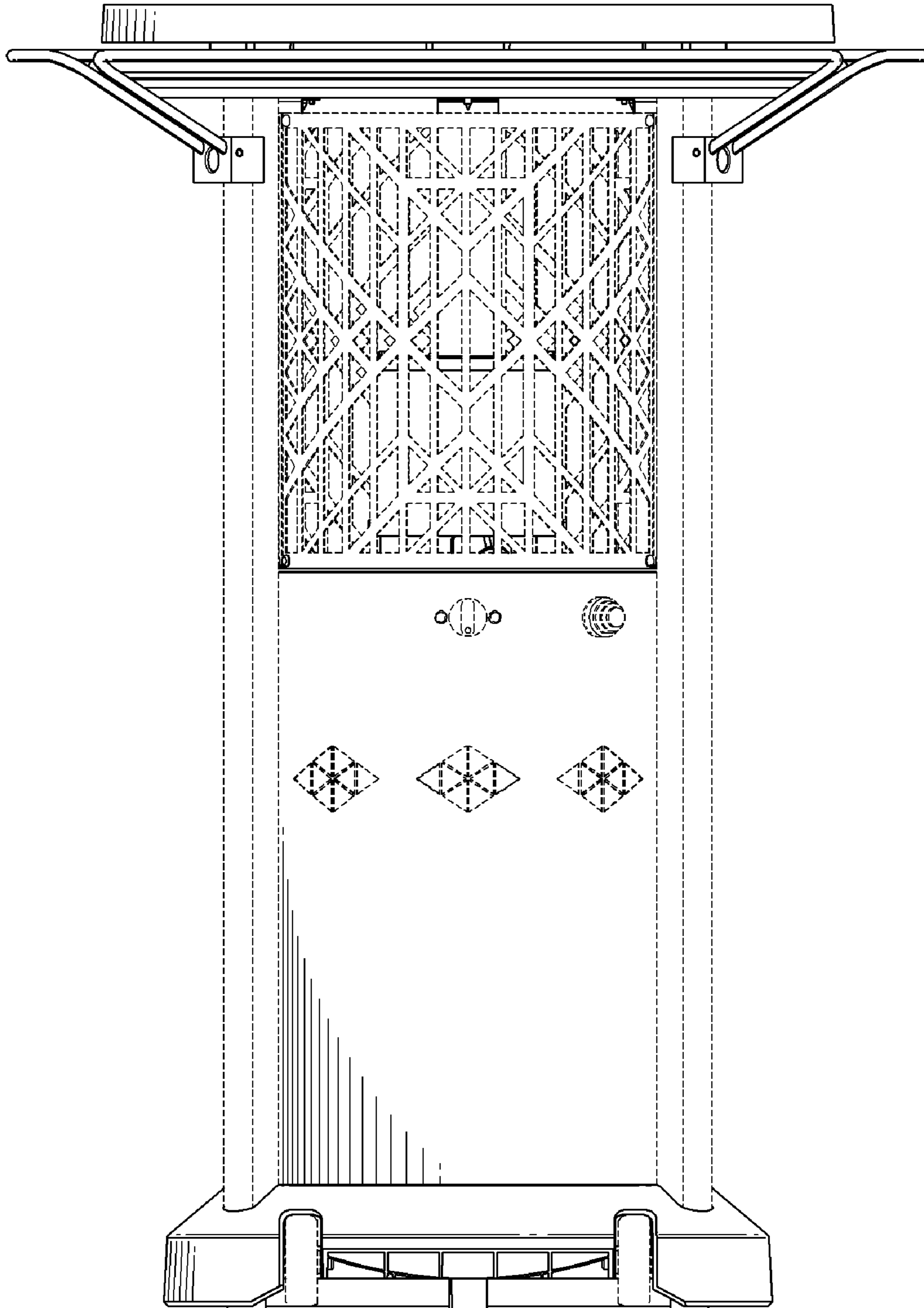


FIG. 5

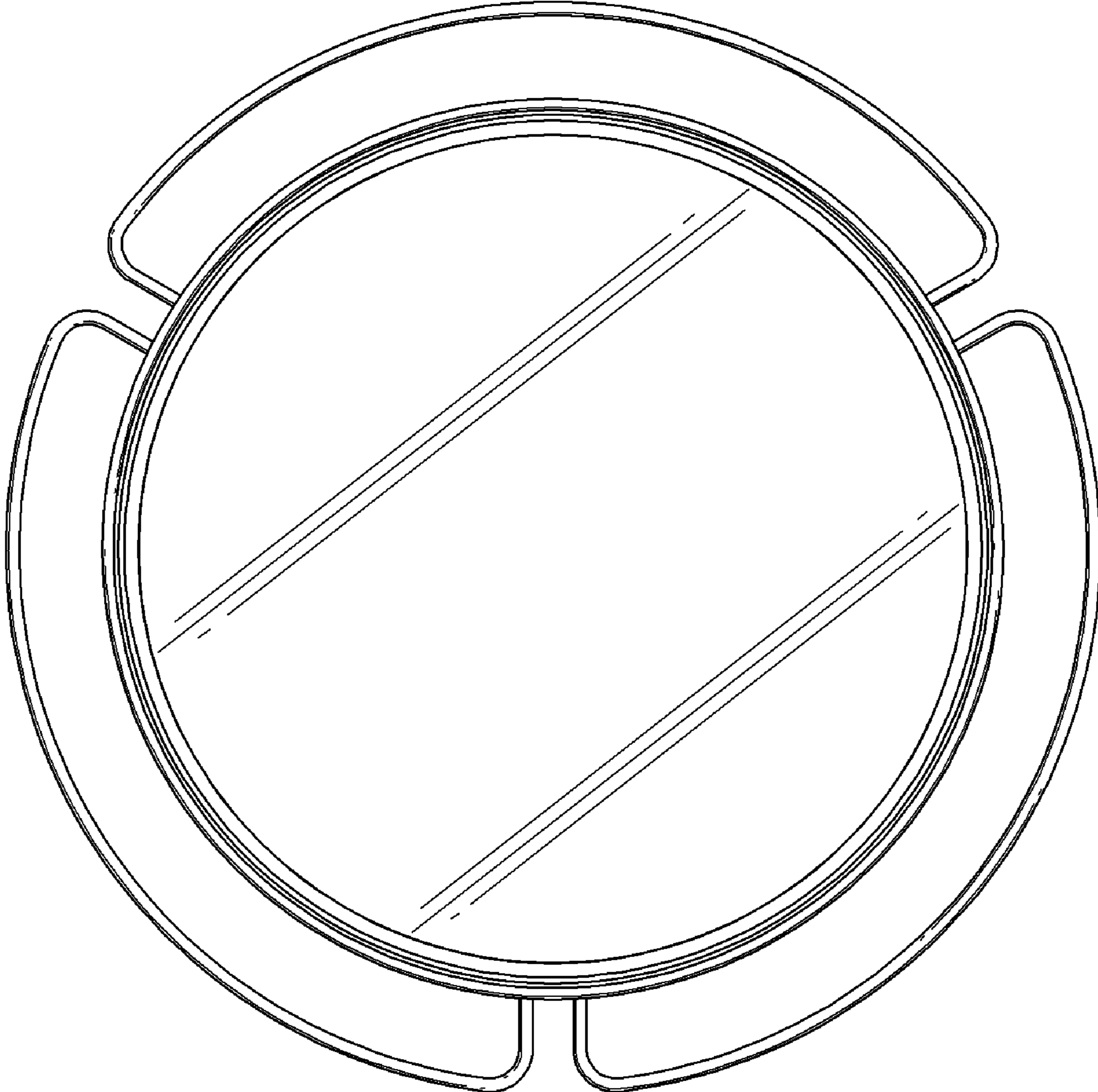


FIG. 6

UNITED STATES PATENT AND TRADEMARK OFFICE
CERTIFICATE OF CORRECTION

PATENT NO. : Des. 570,977 S
APPLICATION NO. : 29/276714
DATED : June 10, 2008
INVENTOR(S) : McColgin et al.

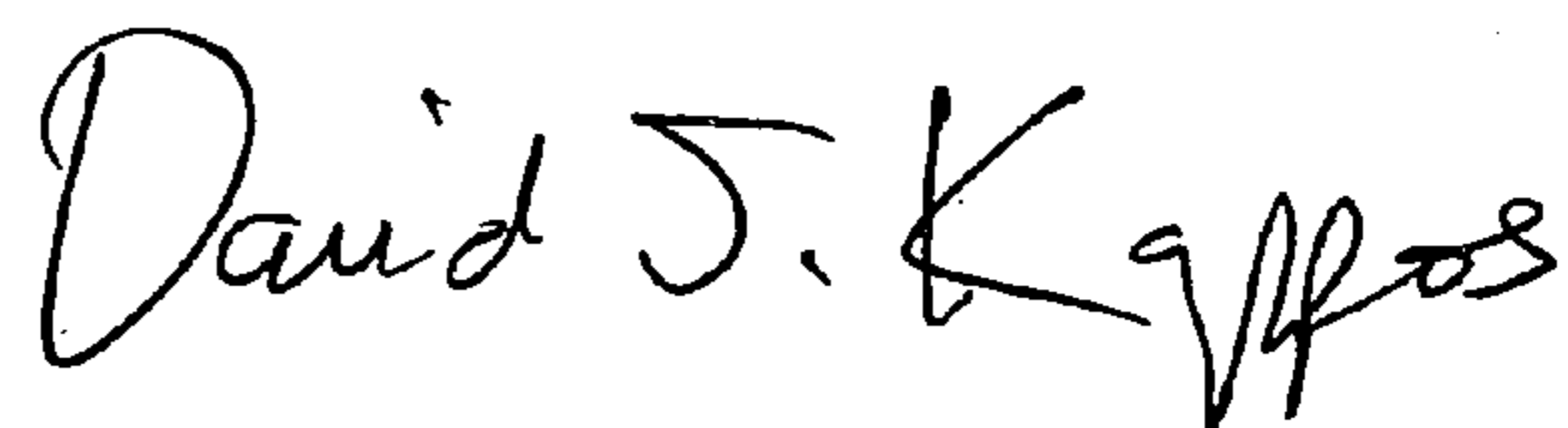
Page 1 of 1

It is certified that error appears in the above-identified patent and that said Letters Patent is hereby corrected as shown below:

Title page, item 73 Assignee Section, change "Genlyte Thomas Group, LLC, Louisville, KY (US)" to
-- DESA IP, LLC, Miami, FL (US) --

Signed and Sealed this

Twenty-sixth Day of October, 2010

A handwritten signature in black ink that reads "David J. Kappos". The signature is written in a cursive style with a large initial 'D' and a stylized 'K'.

David J. Kappos
Director of the United States Patent and Trademark Office