

US00D570975S

(12) **United States Design Patent**
Nanbu et al.

(10) **Patent No.:** **US D570,975 S**
(45) **Date of Patent:** **** Jun. 10, 2008**

(54) **GAS WATER HEATER**

(75) Inventors: **Teizo Nanbu**, Kobe (JP); **Tomofumi Kinugasa**, Hyogo (JP); **Akira Tsutsumi**, Himeji (JP); **Satoshi Kawaguchi**, Akashi (JP)

(73) Assignee: **Noritz Corporation** (JP)

(**) Term: **14 Years**

(21) Appl. No.: **29/272,522**

(22) Filed: **Feb. 9, 2007**

(30) **Foreign Application Priority Data**

Sep. 20, 2006 (JP) 2006-025081

(51) **LOC (8) Cl.** **23-03**

(52) **U.S. Cl.** **D23/318**

(58) **Field of Classification Search** D23/308,
D23/309, 320, 321, 322, 323, 314, 332; 237/8 R,
237/8 B, 9 R, 16, 56, 61, 62, 78 A; 392/362,
392/365, 366, 373-376, 67, 482; 431/12;
122/19.2, 18.5, 234

See application file for complete search history.

(56) **References Cited**

U.S. PATENT DOCUMENTS

2,603,546 A * 7/1952 Lais 312/100
3,659,560 A * 5/1972 Carter 122/19.2
4,567,350 A * 1/1986 Todd, Jr. 392/486
5,247,908 A * 9/1993 Williamson 392/451
5,769,033 A * 6/1998 Petty et al. 122/14.3
D483,451 S * 12/2003 Yamamoto et al. D23/320
D483,452 S * 12/2003 Yamamoto et al. D23/320
D483,453 S * 12/2003 Yamamoto et al. D23/320
D483,844 S * 12/2003 Yamamoto et al. D23/320

7,088,915 B1 * 8/2006 Sturm et al. 392/466
D532,498 S * 11/2006 Maegawa et al. D23/318
D533,928 S * 12/2006 Maegawa et al. D23/318
7,164,851 B2 * 1/2007 Sturm et al. 392/463
7,206,506 B2 * 4/2007 Sturm 392/478
2006/0222349 A1 * 10/2006 Sturm et al. 392/463
2006/0291838 A1 * 12/2006 Sturm et al. 392/482
2007/0108306 A1 * 5/2007 Ando 237/56
2007/0126320 A1 * 6/2007 Huang 312/236
2007/0205293 A1 * 9/2007 Kwak 236/21 B
2007/0240703 A9 * 10/2007 Bourke 126/599

* cited by examiner

Primary Examiner—Robert M. Spear

Assistant Examiner—Ania K Dworzecka

(74) *Attorney, Agent, or Firm*—Wood, Phillips Katz, Clark & Mortimer

(57) **CLAIM**

The ornamental design for a gas water heater, as shown and described.

DESCRIPTION

FIG. 1 is a front elevation view of our design for a gas water heater;

FIG. 2 is a rear elevation view thereof;

FIG. 3 is a right side elevation view thereof;

FIG. 4 is a left side elevation view thereof;

FIG. 5 is a top, plan view thereof;

FIG. 6 is a bottom view thereof; and,

FIG. 7 is a top, front, and right side perspective view thereof.

The portion of the gas water heater shown in dotted lines in FIGS. 1-7 does not constitute a part of the claimed design.

1 Claim, 6 Drawing Sheets

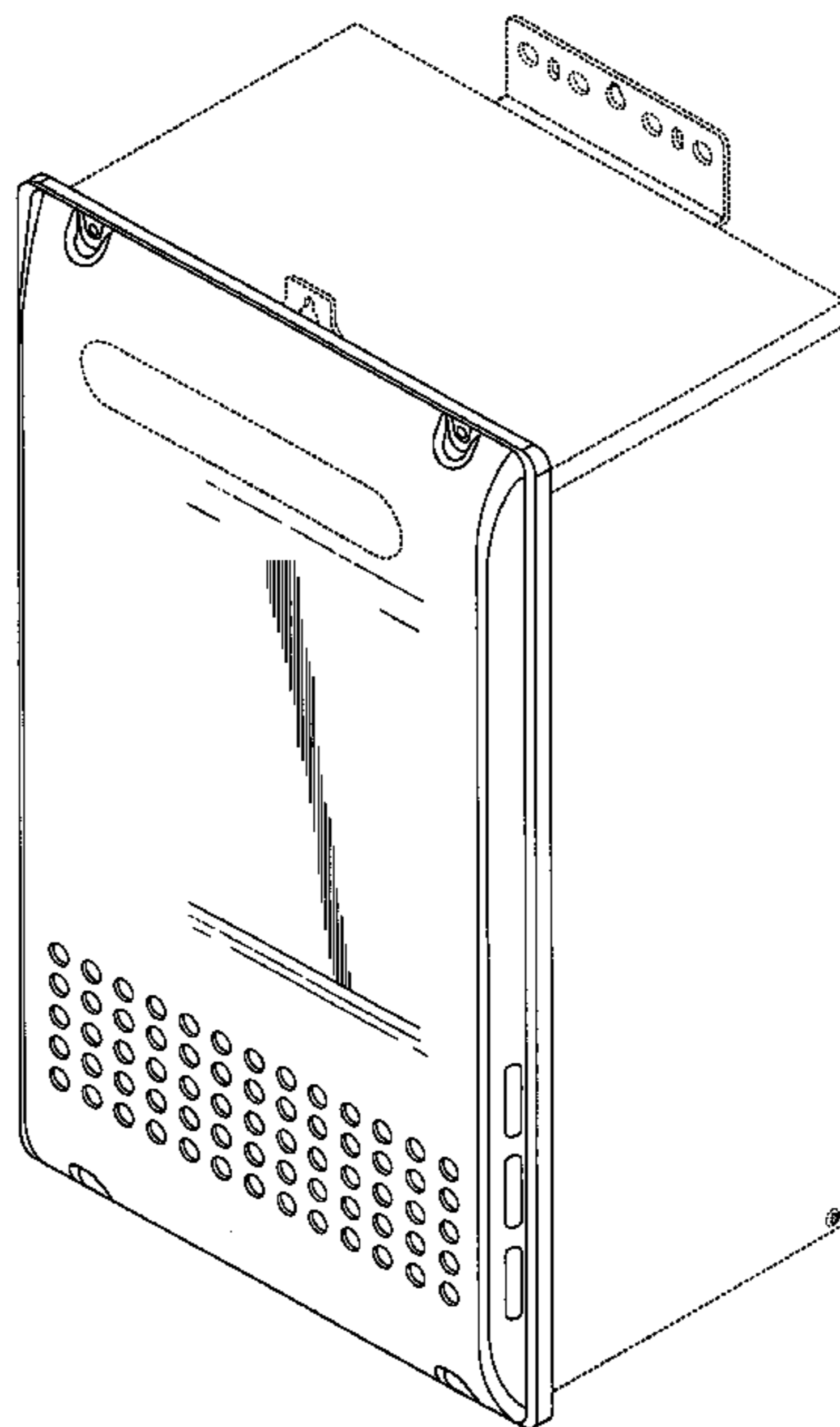


Fig. 1

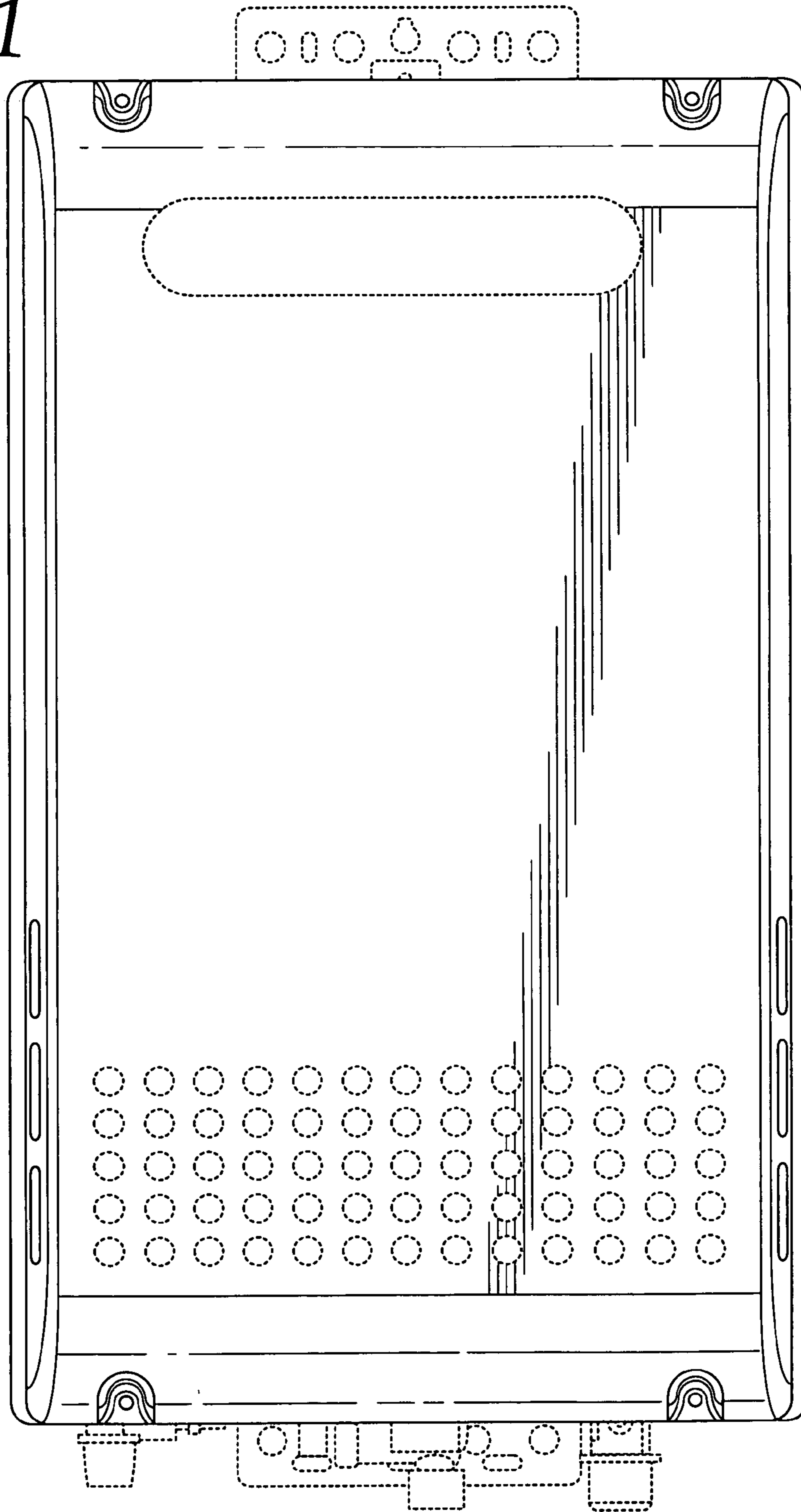


Fig. 2

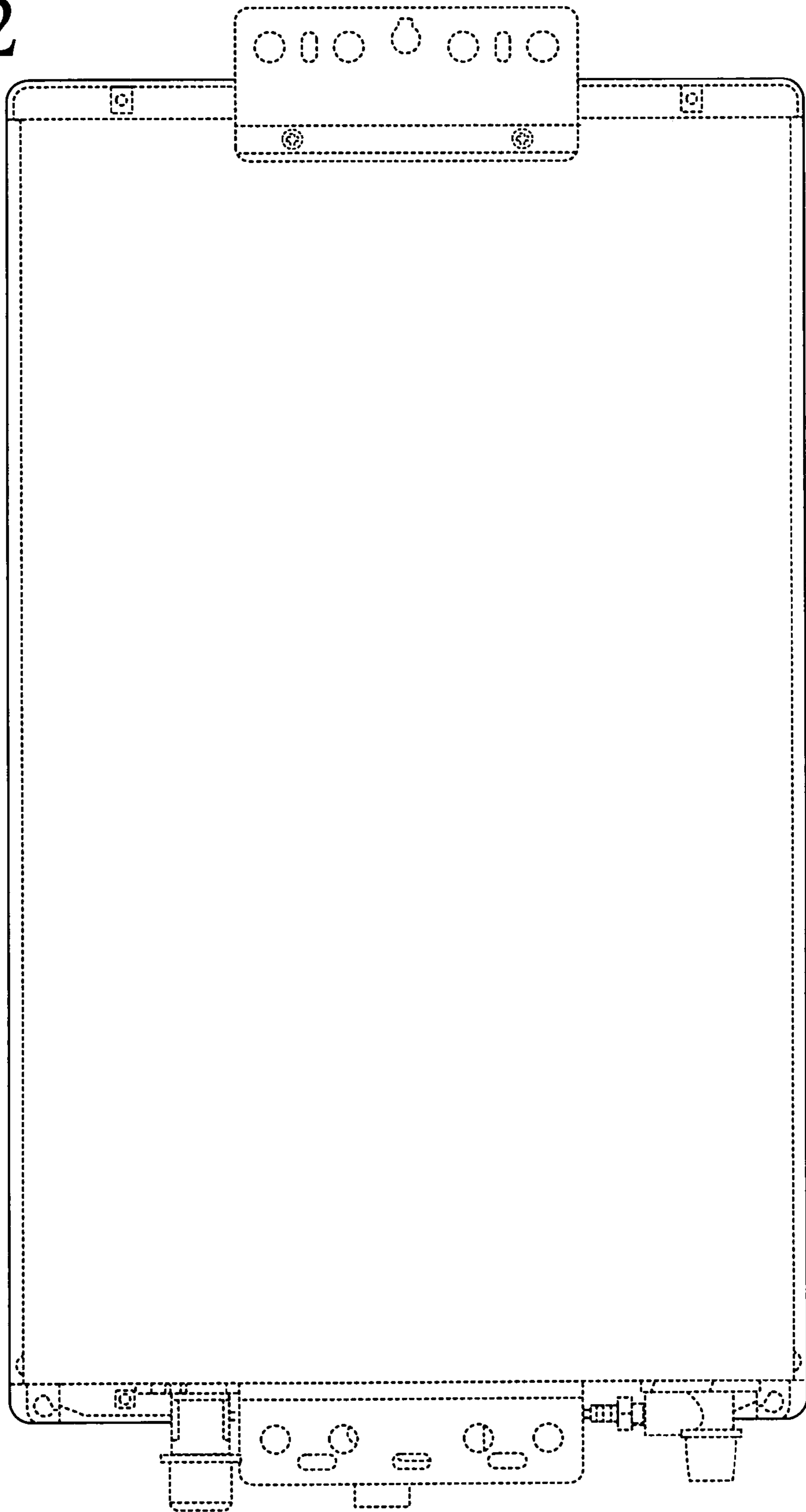


Fig. 3

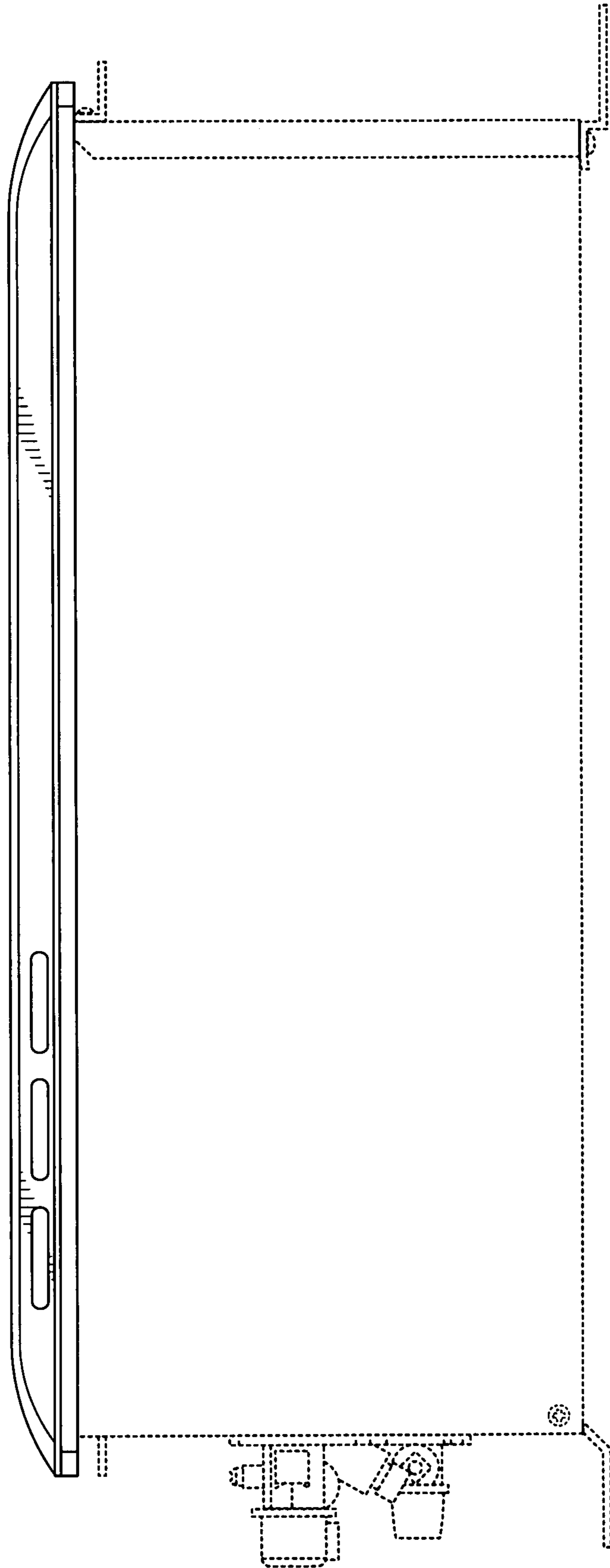


Fig. 4

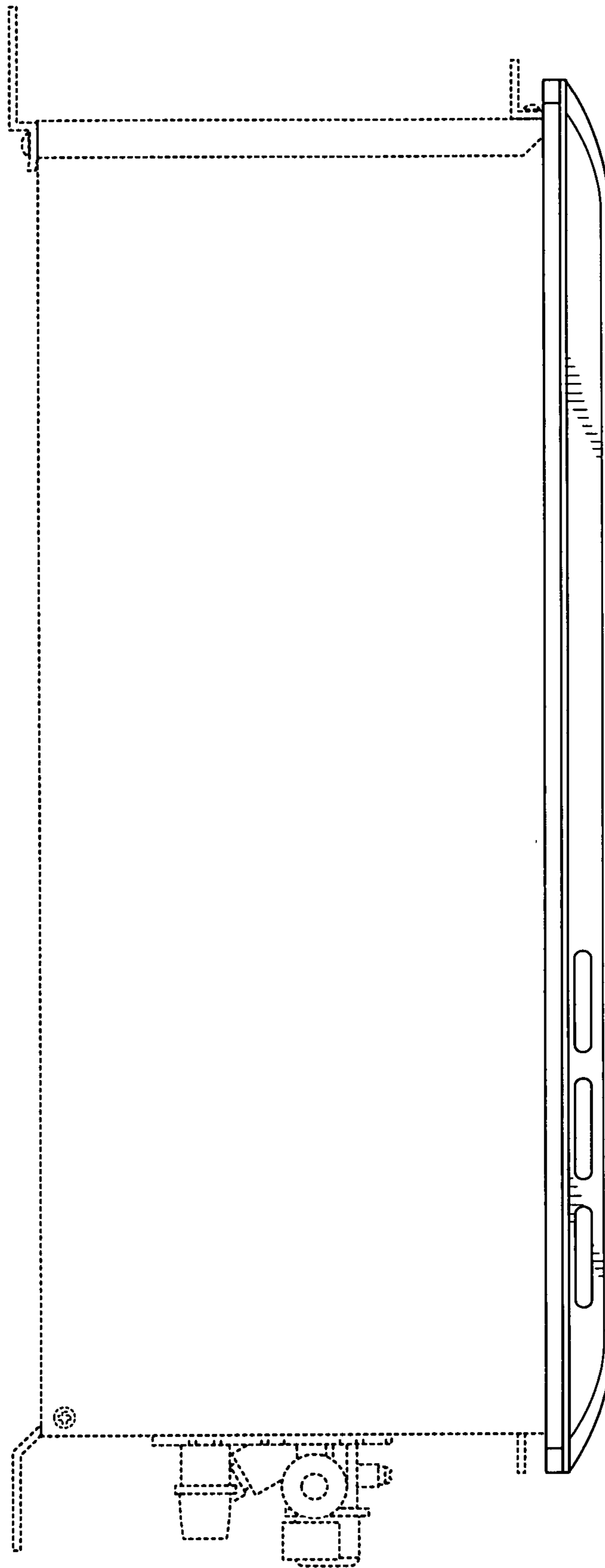


Fig. 5

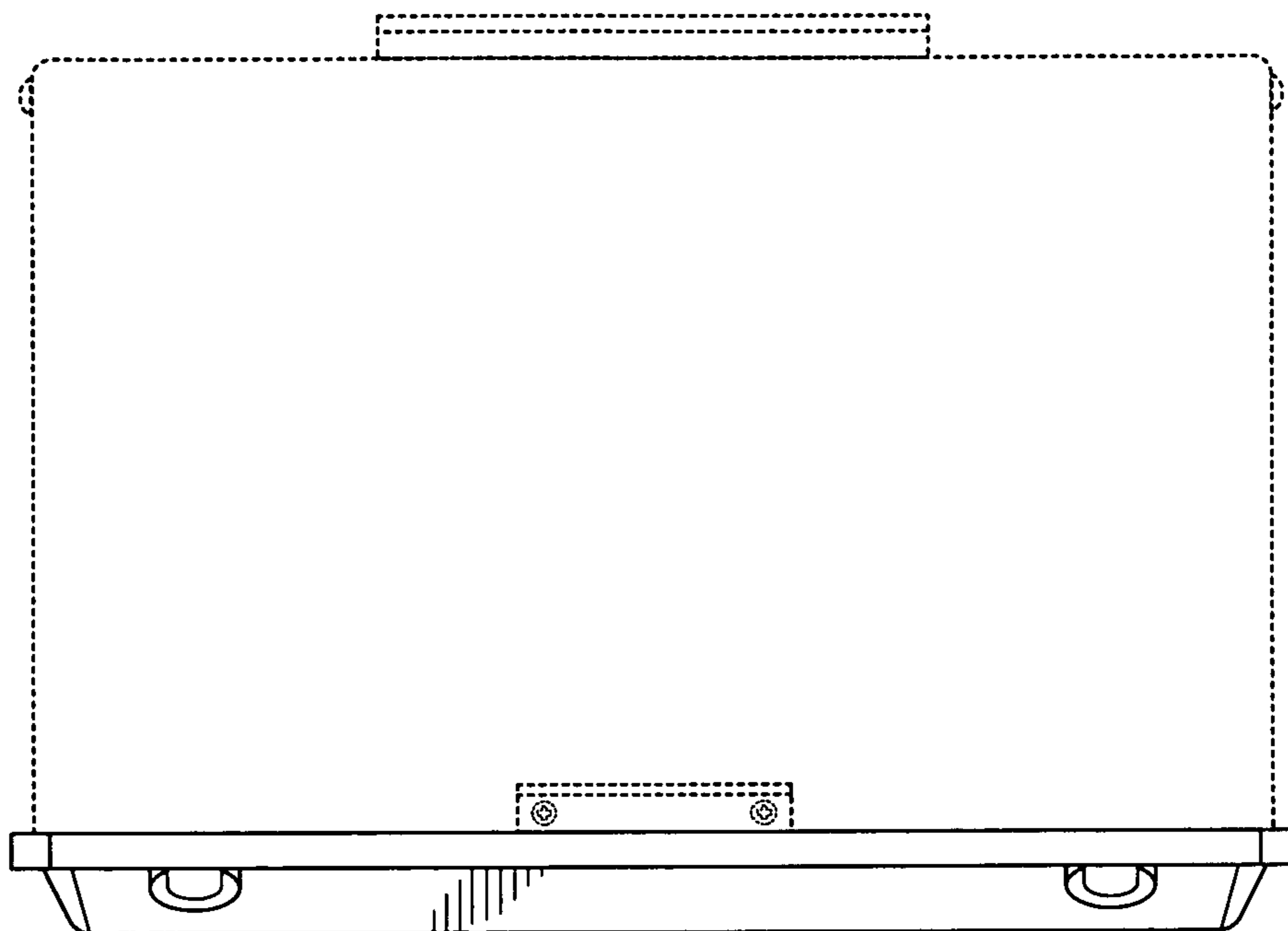


Fig. 6

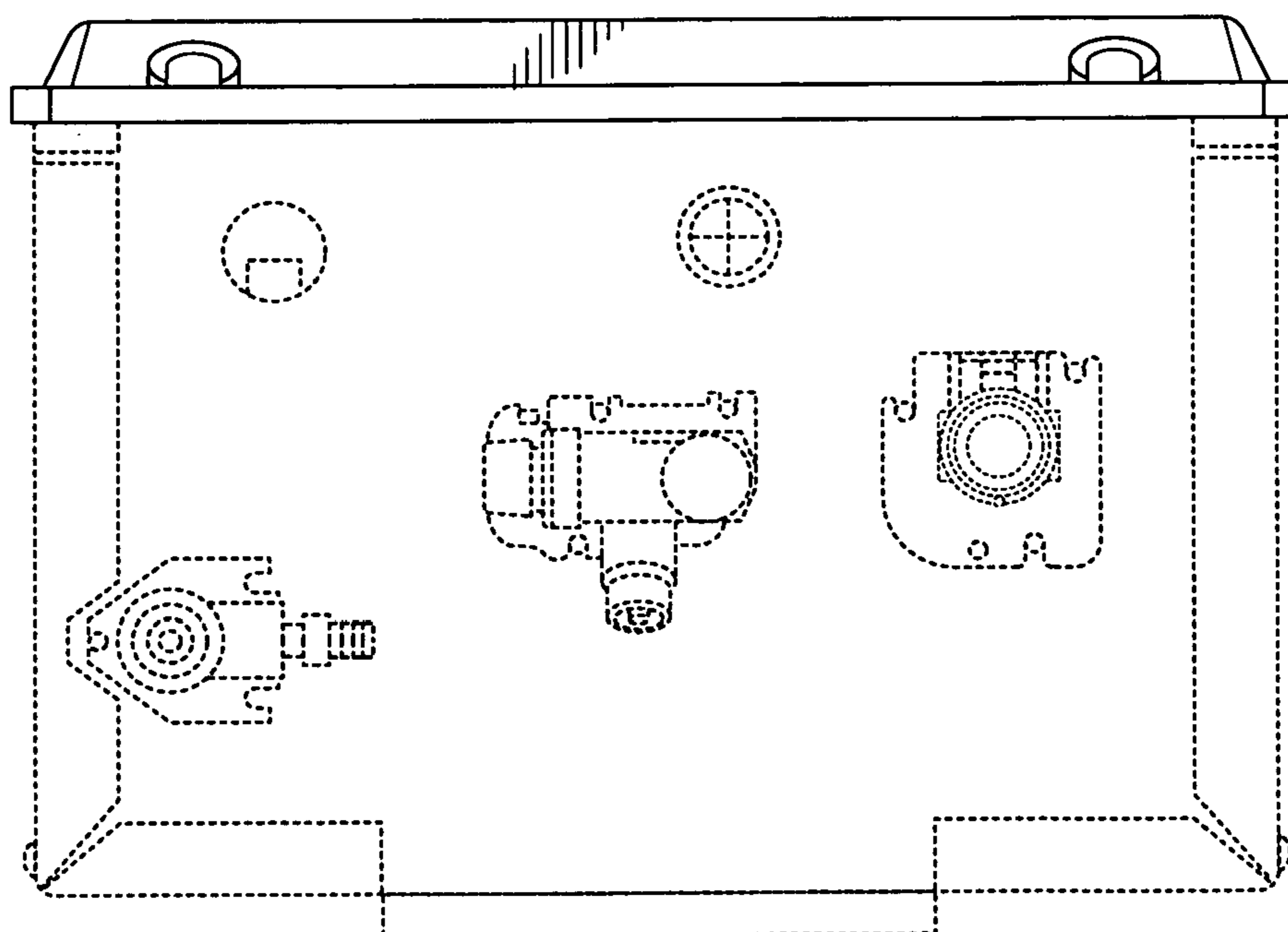


Fig. 7

