

US00D570972S

(12) **United States Design Patent**
Thalmann Gomez et al.

(10) **Patent No.:** **US D570,972 S**
(45) **Date of Patent:** **** Jun. 10, 2008**

(54) **COVER**

(75) Inventors: **Cecile Thalmann Gomez**, Sheboygan Falls, WI (US); **Mary Reid**, Sheboygan, WI (US)

(73) Assignee: **Kohler Co.**, Kohler, WI (US)

(**) Term: **14 Years**

(21) Appl. No.: **29/277,975**

(22) Filed: **Mar. 15, 2007**

(51) **LOC (8) Cl.** **23-02**

(52) **U.S. Cl.** **D23/311**

(58) **Field of Classification Search** D23/303, D23/309, 311; 4/444, 483, 485-486, 217, 4/234-235, 237-239, 242.1, DIG. 6
See application file for complete search history.

(56) **References Cited**

U.S. PATENT DOCUMENTS

D240,038 S * 5/1976 Colani D23/311
D287,998 S * 1/1987 Holscher D23/311
D330,412 S * 10/1992 Rasmussen D23/311

OTHER PUBLICATIONS

Kohler Co. "Ostera" Toilet Seat. Model No.: K4717-CP-D5. Kohler Co. "The Bold Look of Kohler" catalog. Copyright 2004.
Kohler Co. "Surprise" Toilet Seat. Model No.: K-4717-CP-D7. Kohler Co. "The Bold Look of Kohler" catalog. Copyright 2004.
Kohler Co. "Ditto" Toilet Seat. Model No.: K-4637-CP-D6. Kohler Co. "The Bold Look of Kohler" catalog. Copyright 2004.
Kohler Co. "Haiku" Toilet Seat. Model No.: K-4719-CP-D4. Kohler Co. "The Bold Look of Kohler" catalog. Copyright 2004.

* cited by examiner

Primary Examiner—Robert A Delehanty

(74) *Attorney, Agent, or Firm*—Quarles & Brady LLP

(57) **CLAIM**

The ornamental design for a cover, as shown and described.

DESCRIPTION

In a preferred form, the nature of this product is a cover for a plumbing fixture, in particular a lid for a toilet seat.

FIG. 1 is a left, top, front perspective view of a cover embodying our new design;

FIG. 2 is a top plan view thereof;

FIG. 3 is a left side elevational view thereof, the right side elevational view thereof being a mirror image of the left side shown;

FIG. 4 is a front elevational view thereof;

FIG. 5 is a rear elevational view thereof;

FIG. 6 is bottom plan view thereof;

FIG. 7 is a left, top, front perspective view of a cover according to another embodiment of our new design;

FIG. 8 is a top plan view thereof;

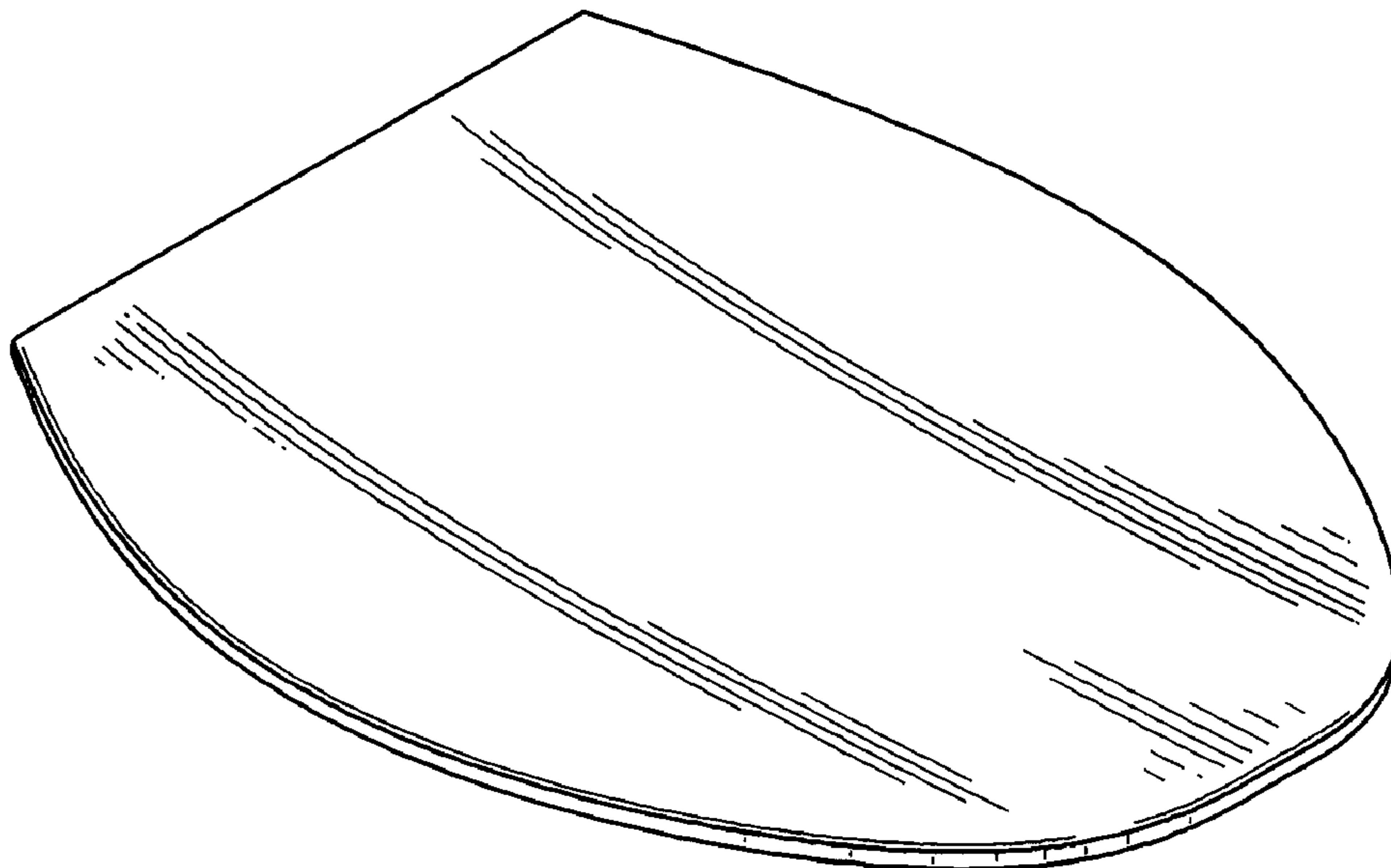
FIG. 9 is a left side elevational view thereof, the right side elevational view thereof being a mirror image of the left side shown;

FIG. 10 is a front elevational view thereof;

FIG. 11 is a rear elevational view thereof; and,

FIG. 12 is bottom plan view thereof.

1 Claim, 6 Drawing Sheets



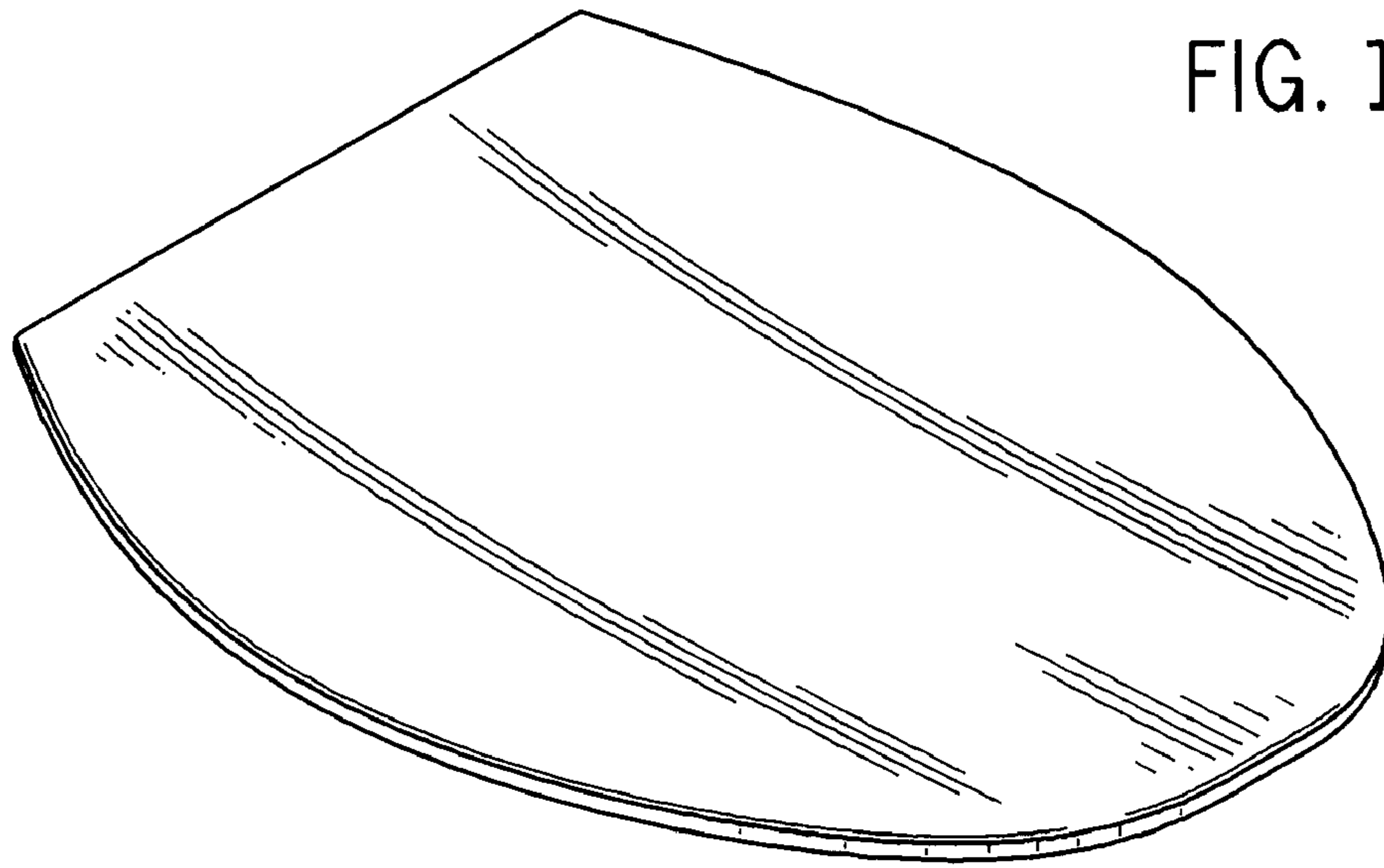


FIG. 1

FIG. 2

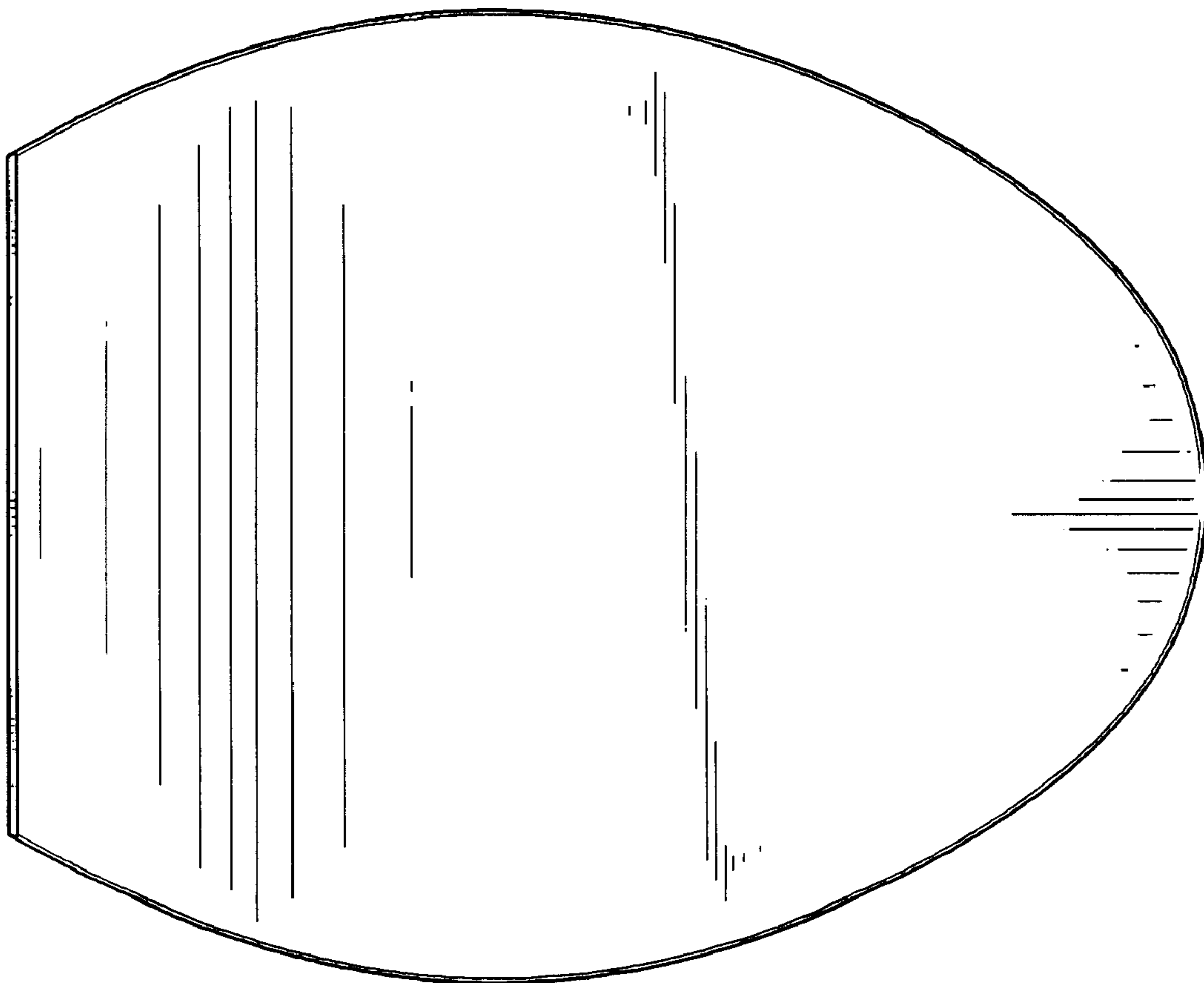


FIG. 3

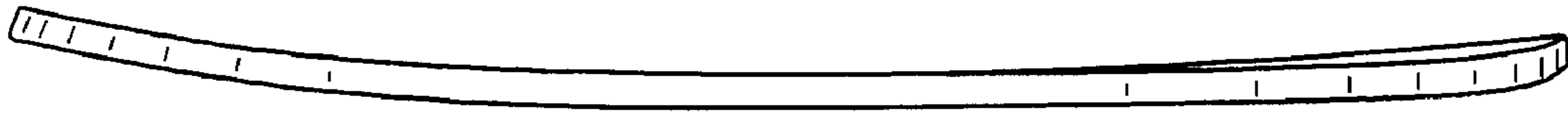


FIG. 4

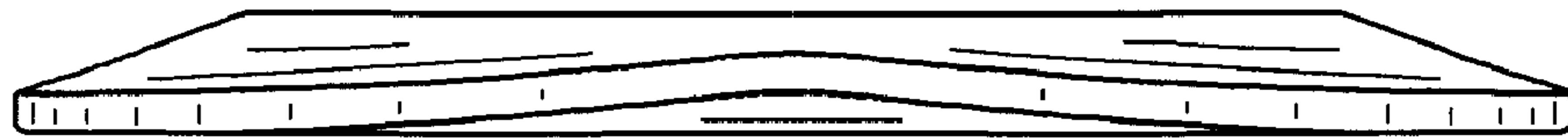


FIG. 5

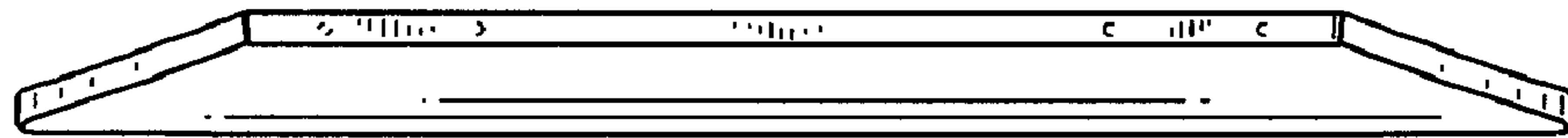
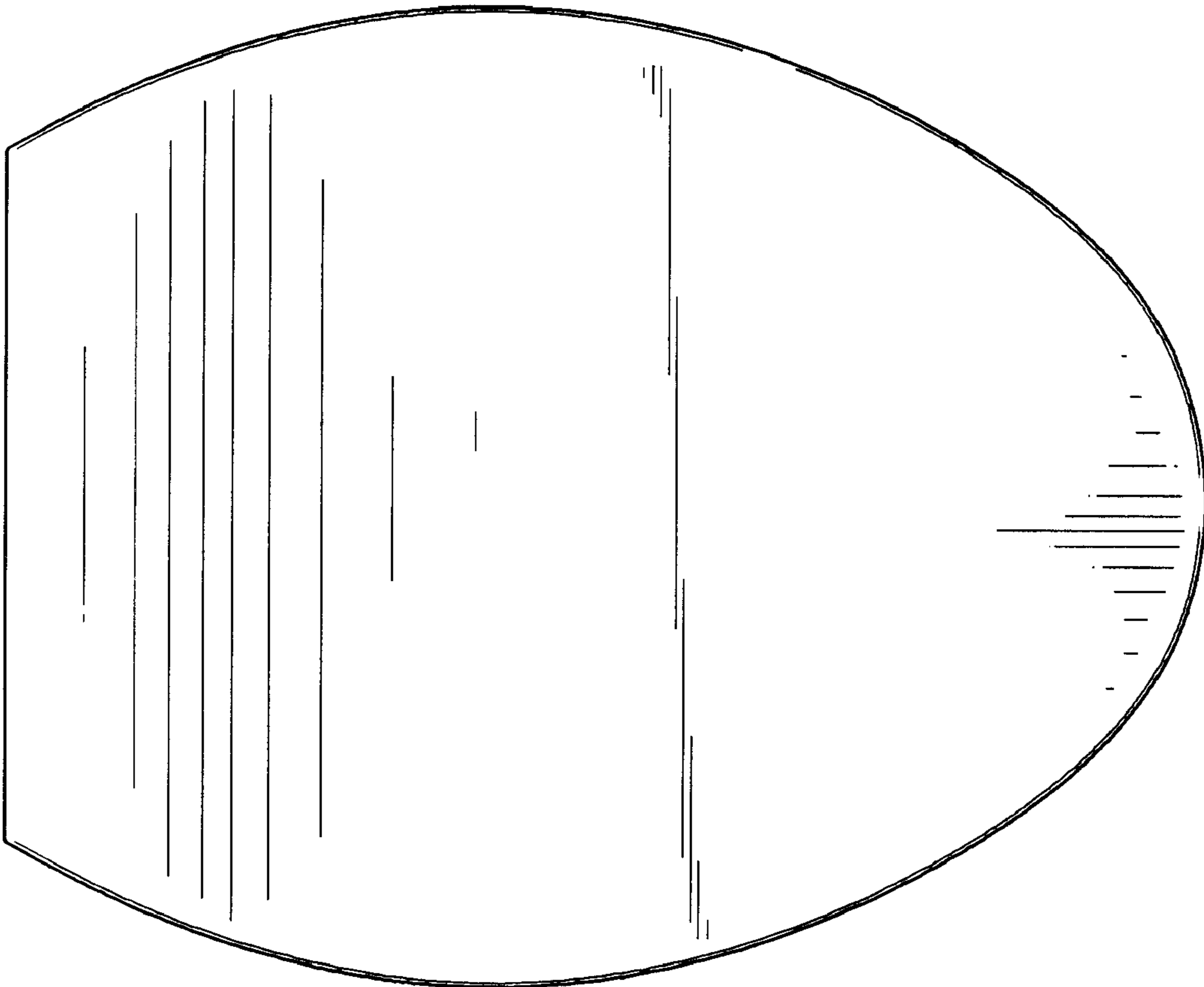


FIG. 6



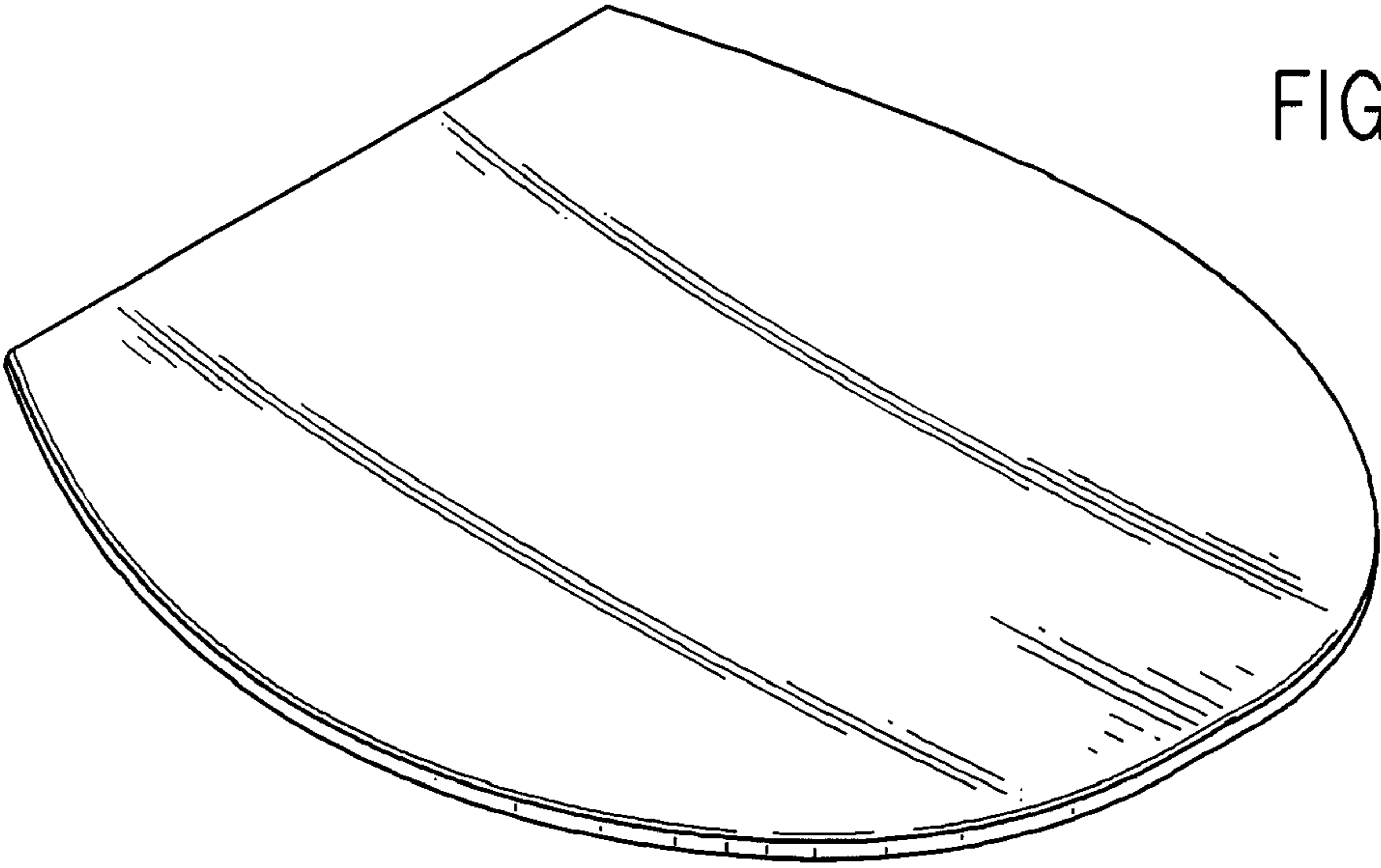


FIG. 7

FIG. 8

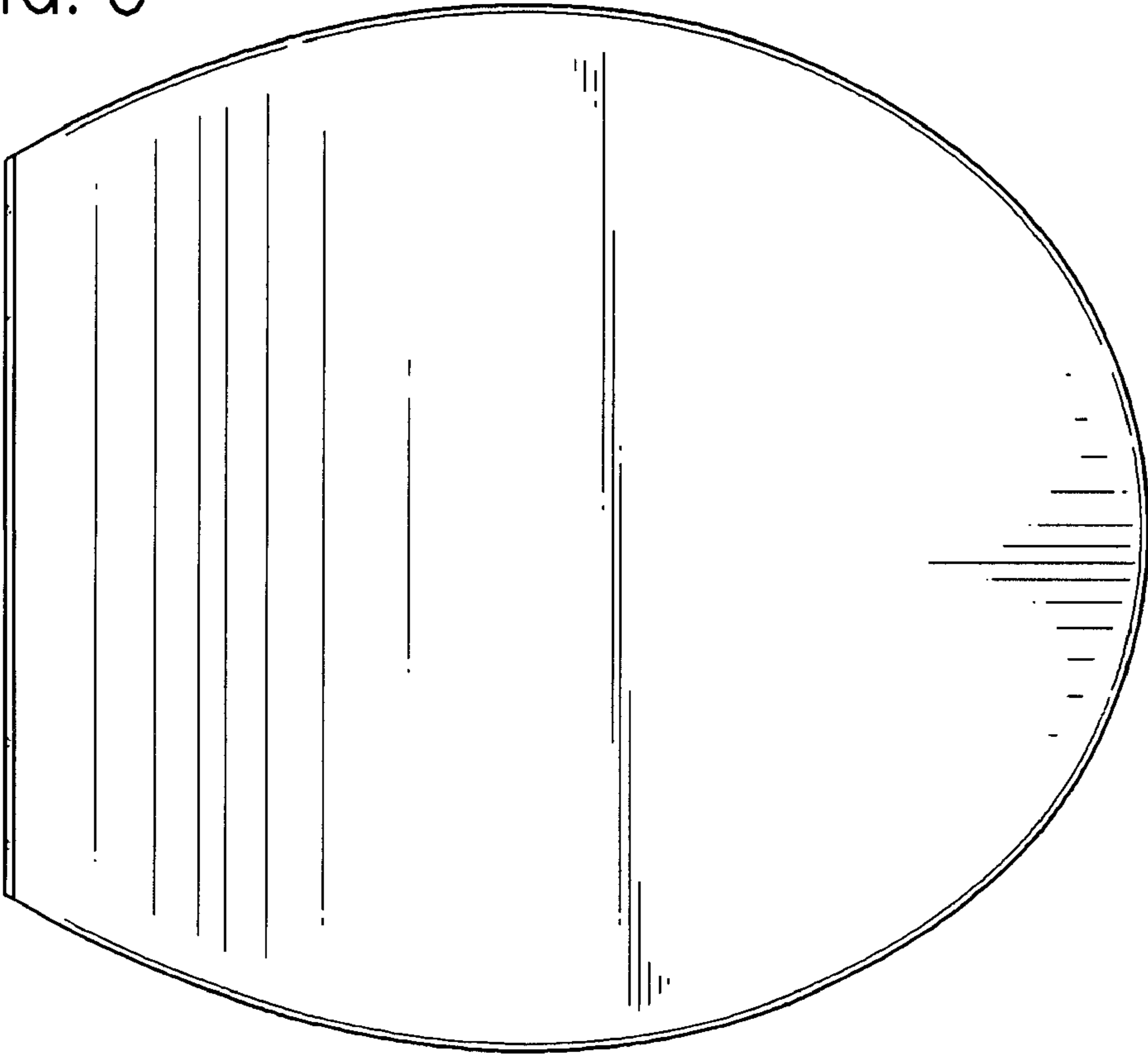


FIG. 9



FIG. 10

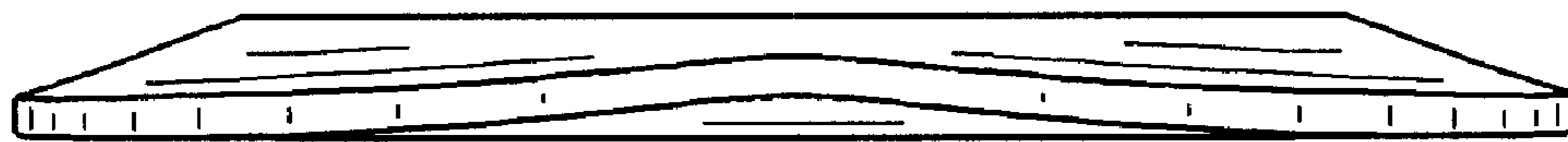


FIG. 11

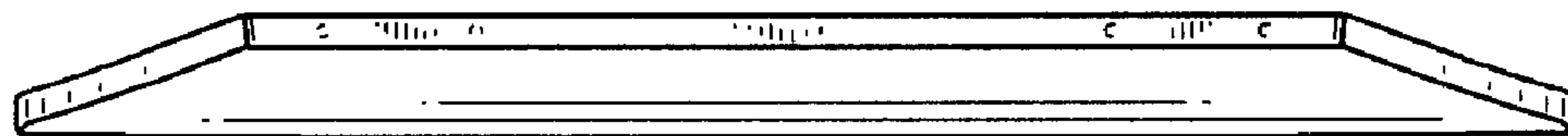


FIG. 12

