

US00D570969S

(12) **United States Design Patent**
Kitzmilller

(10) **Patent No.:** **US D570,969 S**
(45) **Date of Patent:** **** Jun. 10, 2008**

(54) **SINK**

(75) Inventor: **Anne Kitzmilller**, Sheboygan, WI (US)

(73) Assignee: **Kohler Co.**, Kohler, WI (US)

(**) Term: **14 Years**

(21) Appl. No.: **29/297,201**

(22) Filed: **Nov. 6, 2007**

Related U.S. Application Data

(62) Division of application No. 29/279,682, filed on May 4, 2007.

(51) **LOC (8) Cl.** **23-02**

(52) **U.S. Cl.** **D23/290**

(58) **Field of Classification Search** D23/271–274,
D23/284–293.1, 303, 308; 4/619, 624, 661
See application file for complete search history.

(56) **References Cited**

U.S. PATENT DOCUMENTS

D318,104 S	7/1991	Blanc et al.
D318,523 S	7/1991	Blanc et al.
D353,881 S	12/1994	Roach
D518,881 S	4/2006	Ziemann
D526,393 S	8/2006	Blomstrom
D547,838 S	7/2007	Plikuhn

FOREIGN PATENT DOCUMENTS

DE M 88 00 652.2 4/1988

OTHER PUBLICATIONS

Kohler Co. Double unequal basin sink.
Kohler Co. Single basin sink.
USKitchenware.com. "UD301 Global Stainless Steel Single Bowl Undermount Kitchen Sink". USKitchenware.com online catalog. Copyright 2007 USKitchenware.com.

Primary Examiner—Robert A Delehanty
(74) *Attorney, Agent, or Firm*—Quarles & Brady LLP

(57) **CLAIM**

The ornamental design for a sink, as shown and described.

DESCRIPTION

In a preferred embodiment, the nature of this product is as a plumbing fixture primarily useful for washing various objects.

FIG. 1 is a right, top, front perspective view of a sink according to my new design;

FIG. 2 is a top plan view thereof;

FIG. 3 is a front elevational view thereof;

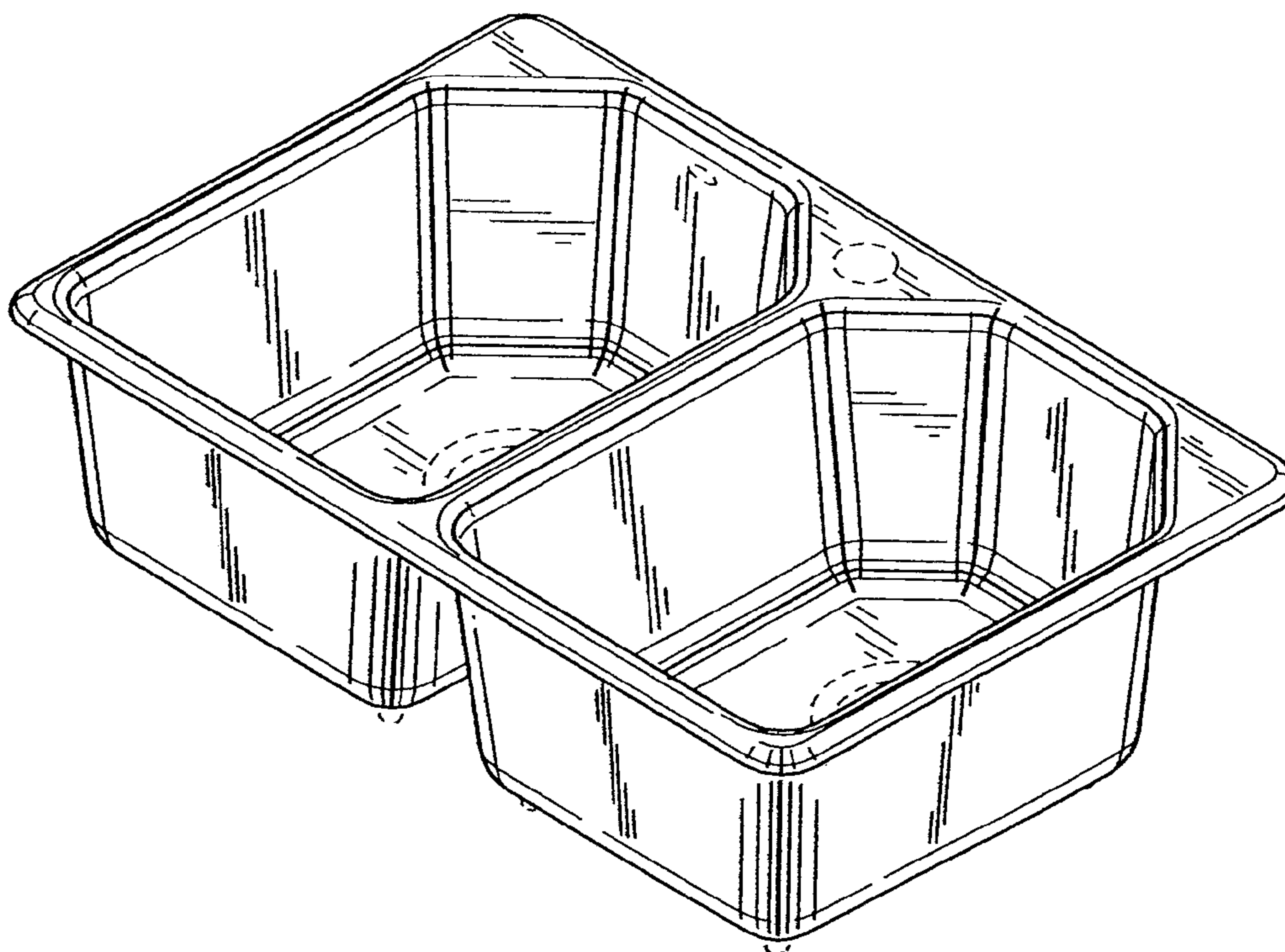
FIG. 4 is a right side elevational view thereof, the left side elevational view thereof being a mirror image or the right side shown;

FIG. 5 is a rear elevational view thereof; and,

FIG. 6 is a bottom plan view thereof.

The broken line representations in the figures are for the purpose of illustration only, and form no part of the claimed design.

1 Claim, 3 Drawing Sheets



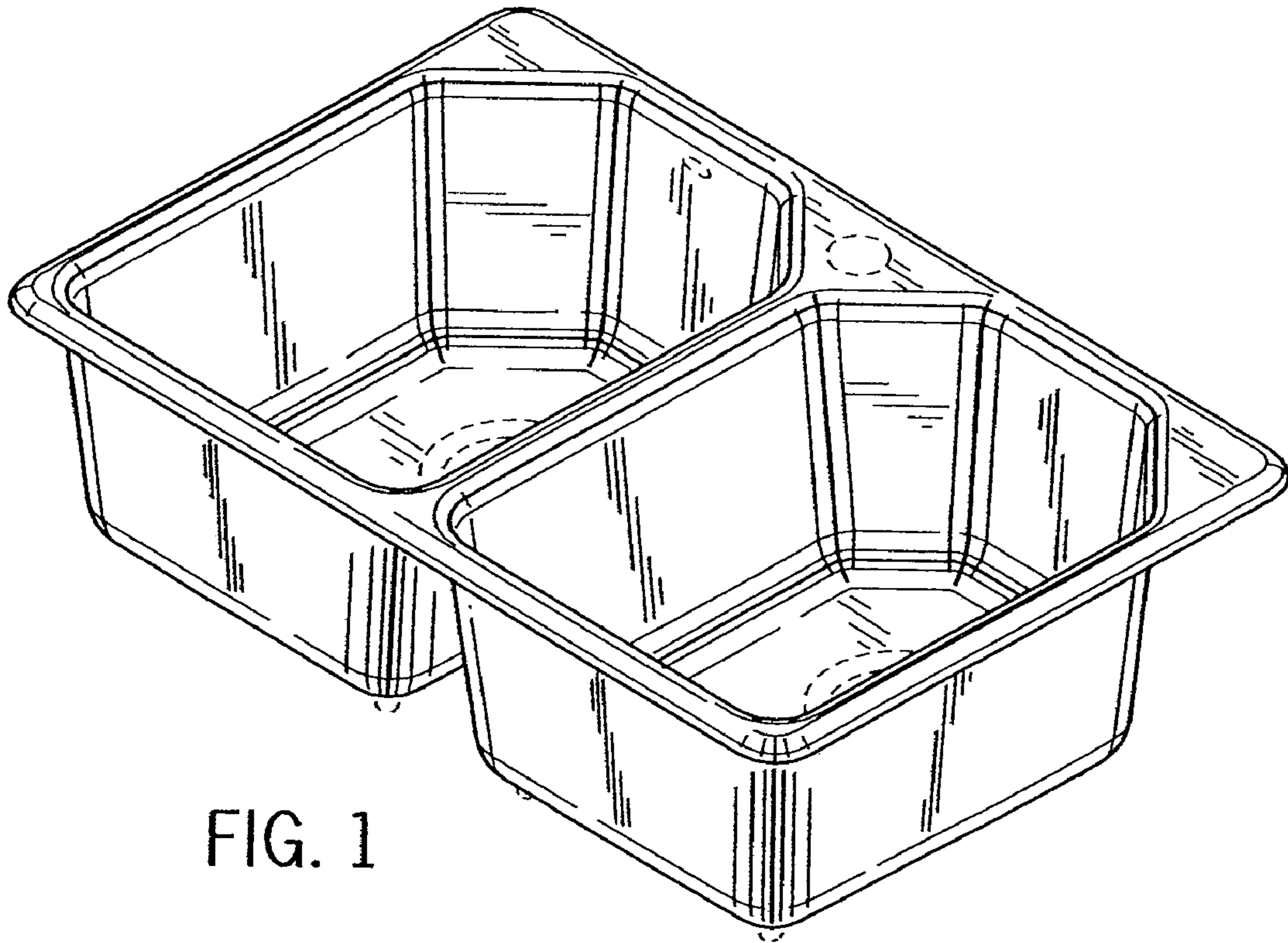


FIG. 1

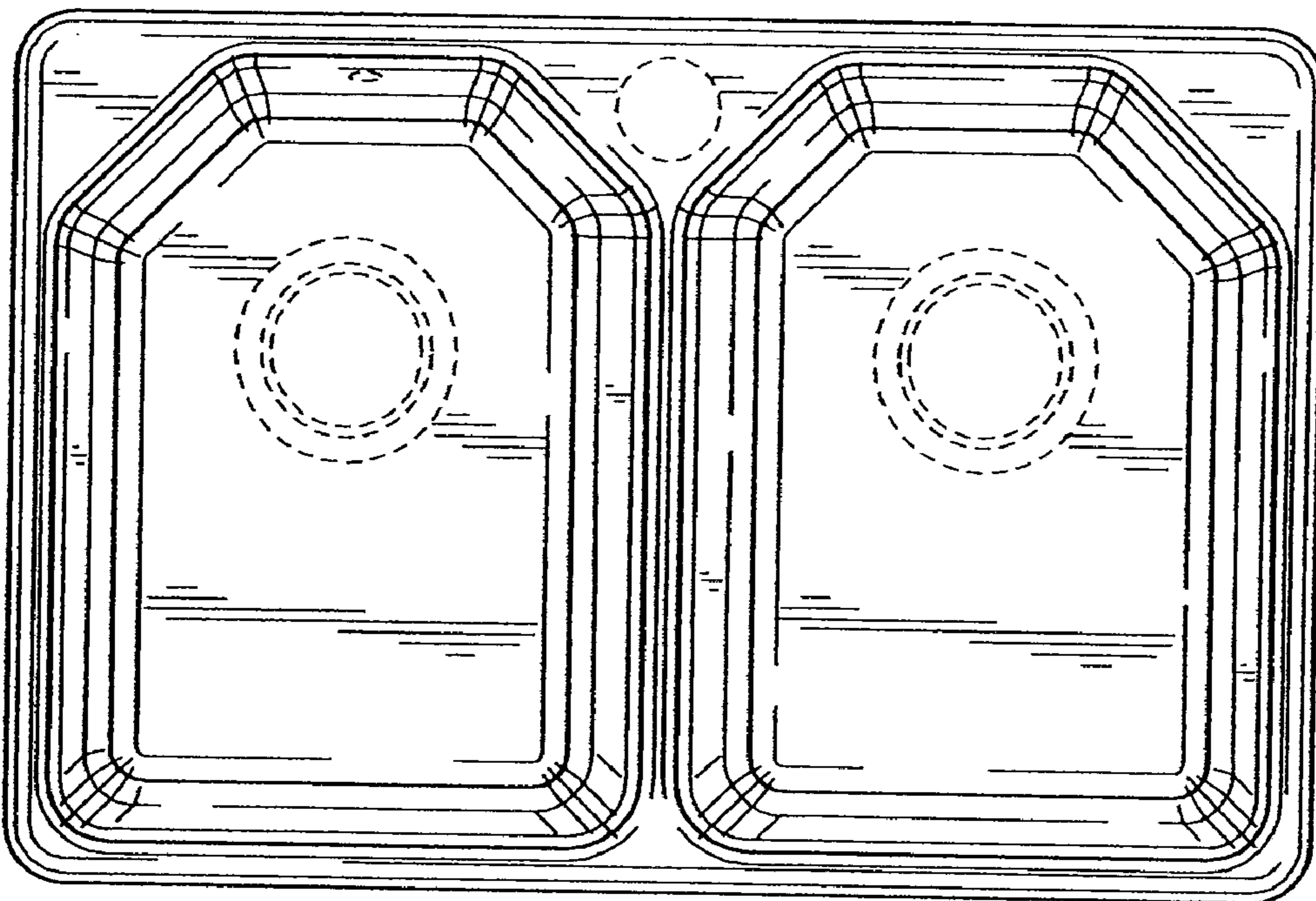


FIG. 2

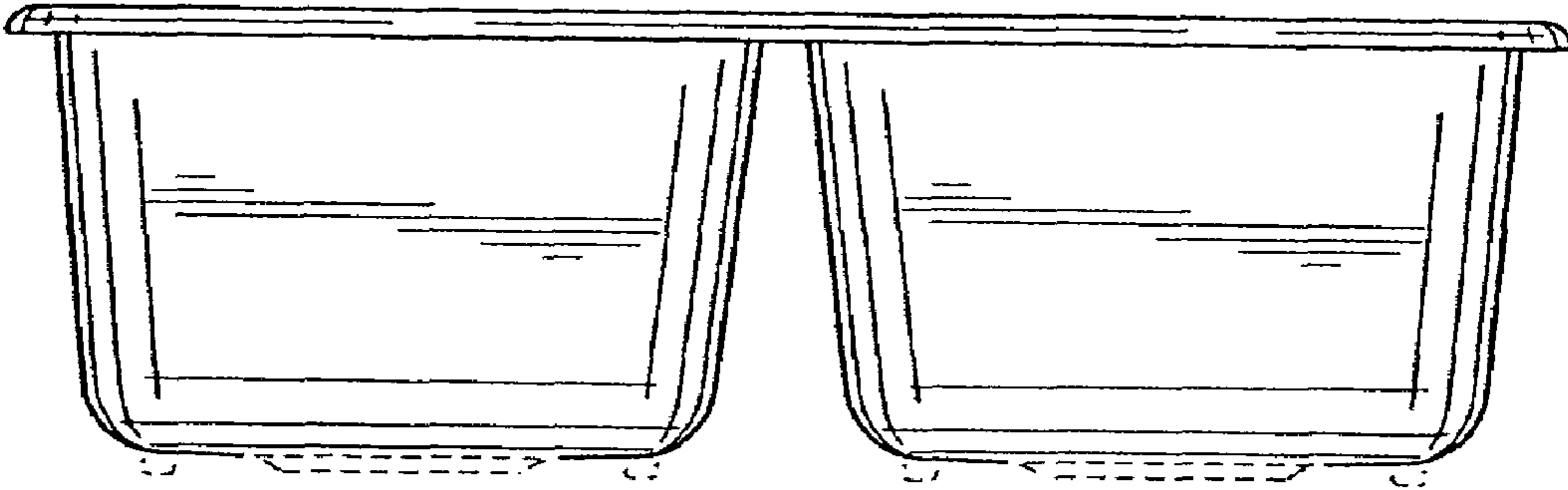


FIG. 3

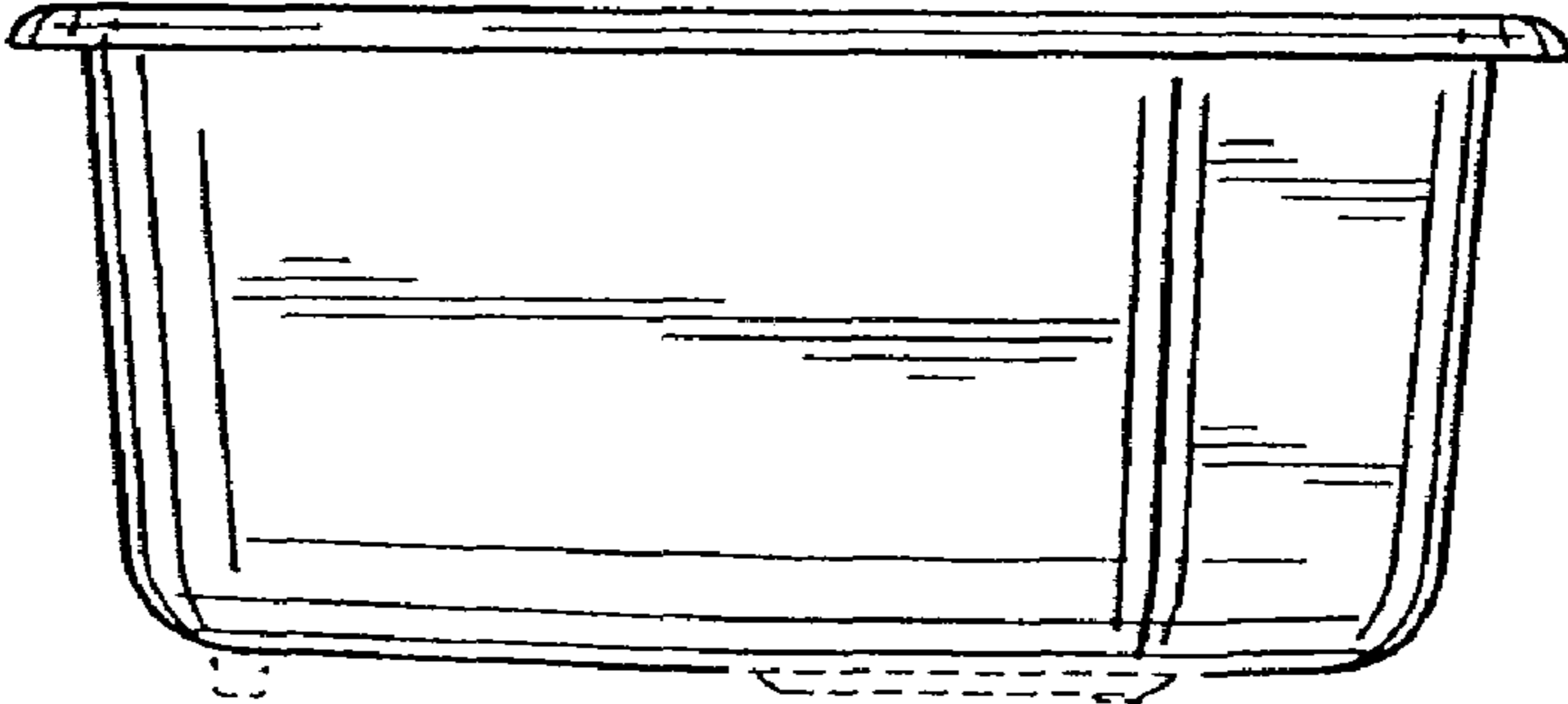


FIG. 4

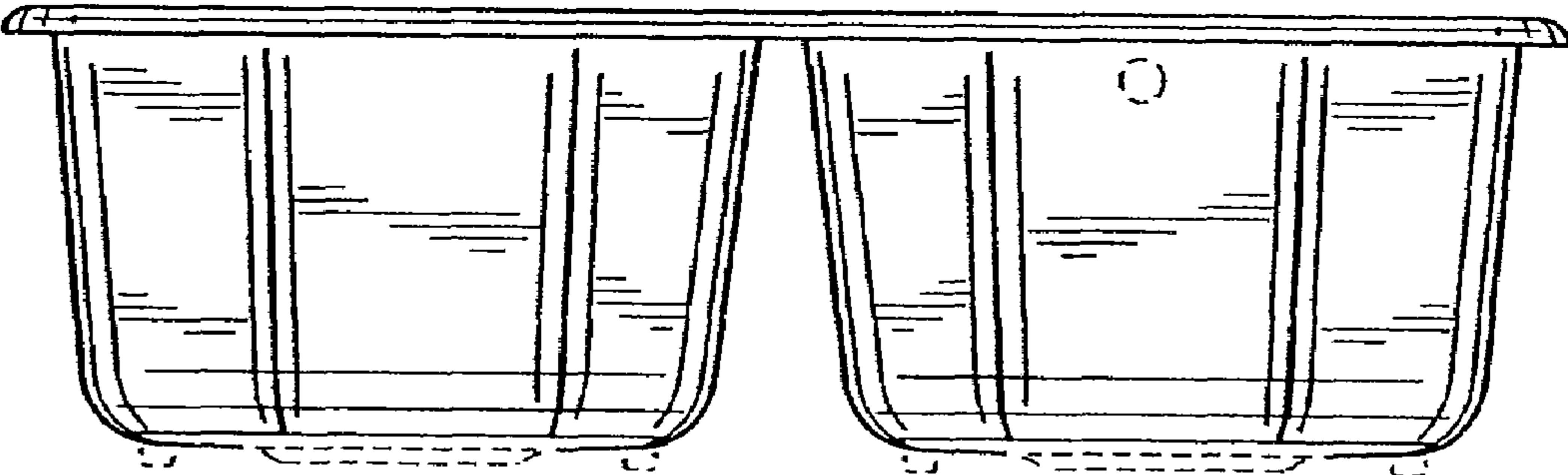


FIG. 5

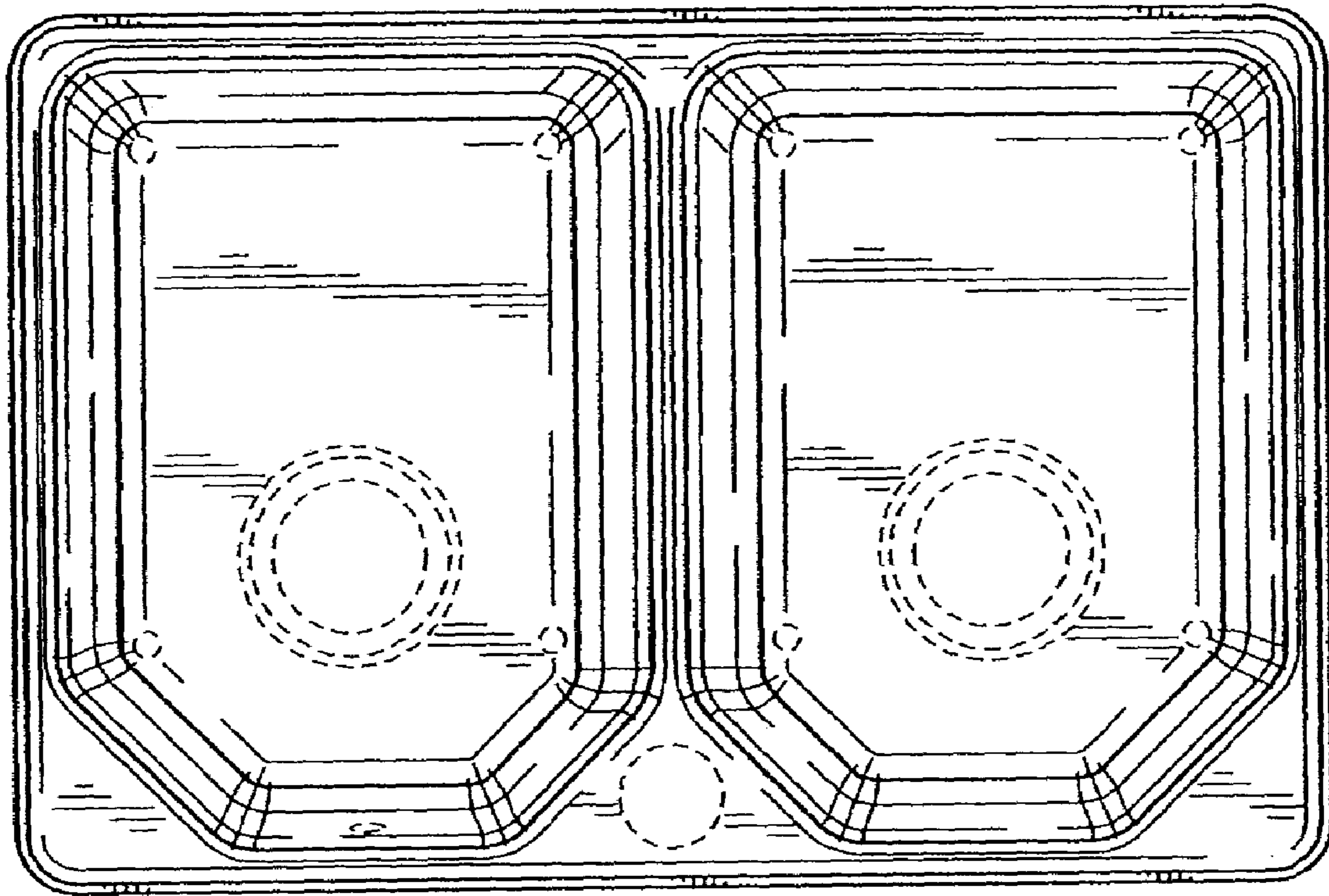


FIG. 6