



US00D570968S

(12) **United States Design Patent**
Kitzmilller

(10) **Patent No.:** **US D570,968 S**

(45) **Date of Patent:** **** Jun. 10, 2008**

- (54) **SINK**
- (75) Inventor: **Anne Kitzmilller**, Sheboygan, WI (US)
- (73) Assignee: **Kohler Co.**, Kohler, WI (US)
- (**) Term: **14 Years**
- (21) Appl. No.: **29/279,684**
- (22) Filed: **May 4, 2007**

Primary Examiner—Robert A Delehanty
 (74) *Attorney, Agent, or Firm*—Quarles & Brady LLP

(57) **CLAIM**

The ornamental design for a sink, as shown and described.

- (51) **LOC (8) Cl.** **23-02**
- (52) **U.S. Cl.** **D23/290**
- (58) **Field of Classification Search** D23/271–274,
D23/284–293.1, 303, 308; 4/619, 624, 661
See application file for complete search history.

DESCRIPTION

In a preferred embodiment, the nature of this product is as a plumbing fixture primarily useful for washing various objects.

FIG. 1 is a right, top, front perspective view of a sink according to my new design;

FIG. 2 is a top plan view thereof;

FIG. 3 is a front elevational view thereof;

FIG. 4 is a right side elevational view thereof, the left side elevational view thereof being a mirror image or the right side shown;

FIG. 5 is a rear elevational view thereof; and,

FIG. 6 is a bottom plan view thereof.

The broken line representations in the figures are for the purpose of illustration only, and form no part of the claimed design.

(56) **References Cited**

U.S. PATENT DOCUMENTS

- D318,523 S * 7/1991 Blanc et al. D23/290
- D526,393 S 8/2006 Blomstrom
- D544,947 S * 6/2007 Taylor D23/290
- D545,409 S * 6/2007 Plikuhn D23/290

FOREIGN PATENT DOCUMENTS

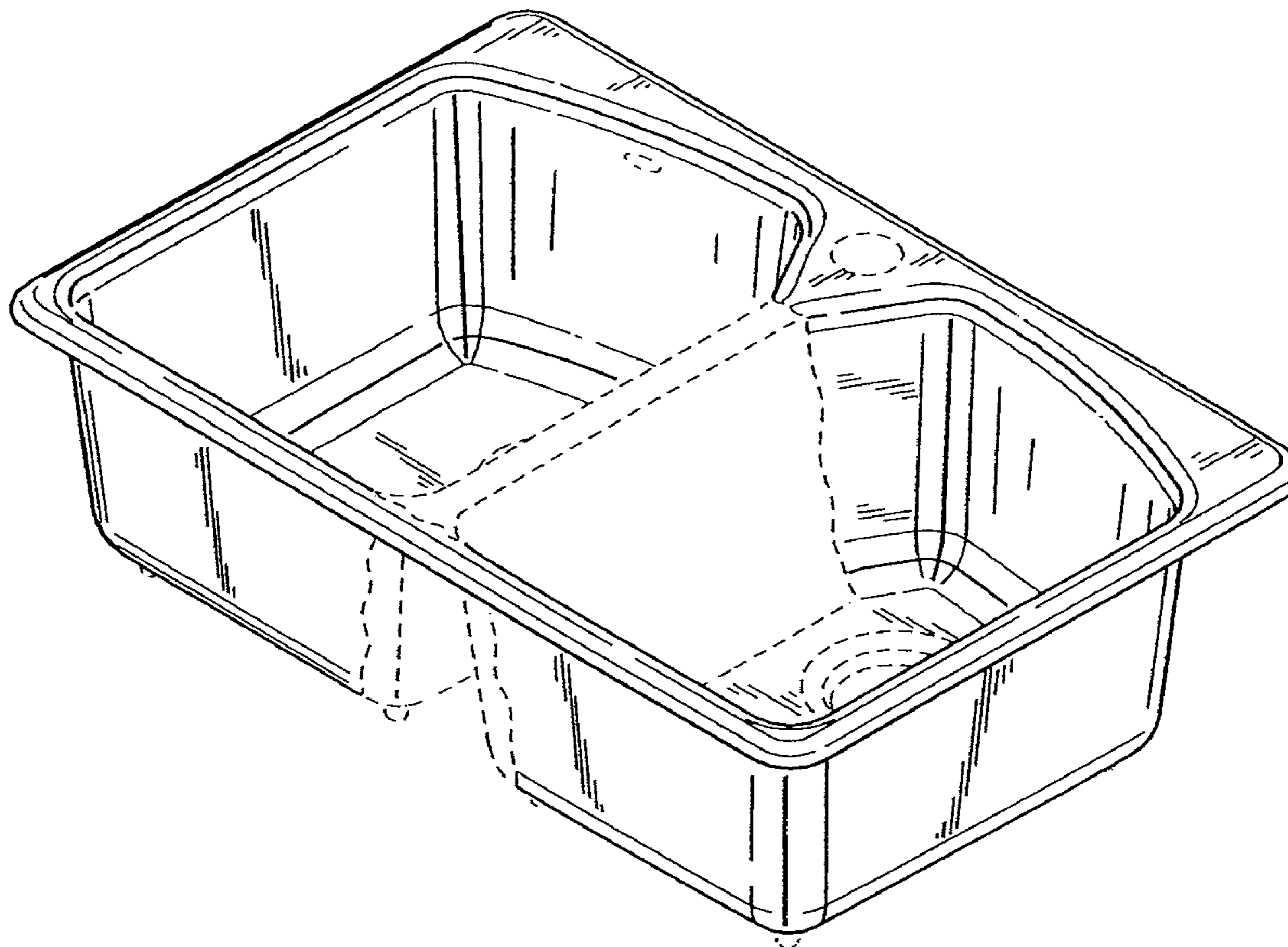
DE M 88 00 652.2 11/1988

OTHER PUBLICATIONS

Kohler Co. Double basin sink. Kohler Co. online catalog. Copyright 2007 Kohler Co.

* cited by examiner

1 Claim, 3 Drawing Sheets



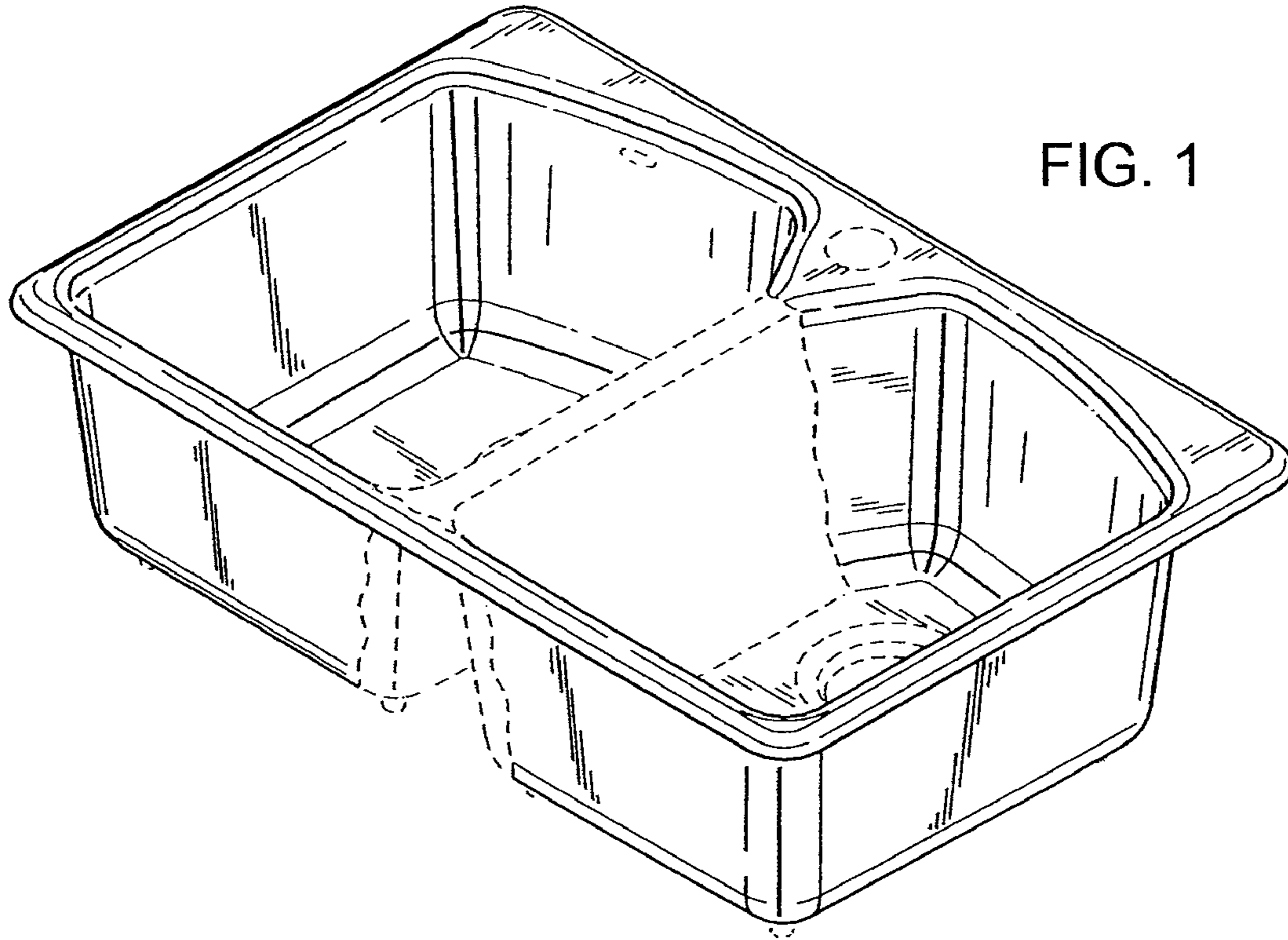


FIG. 1

FIG. 2

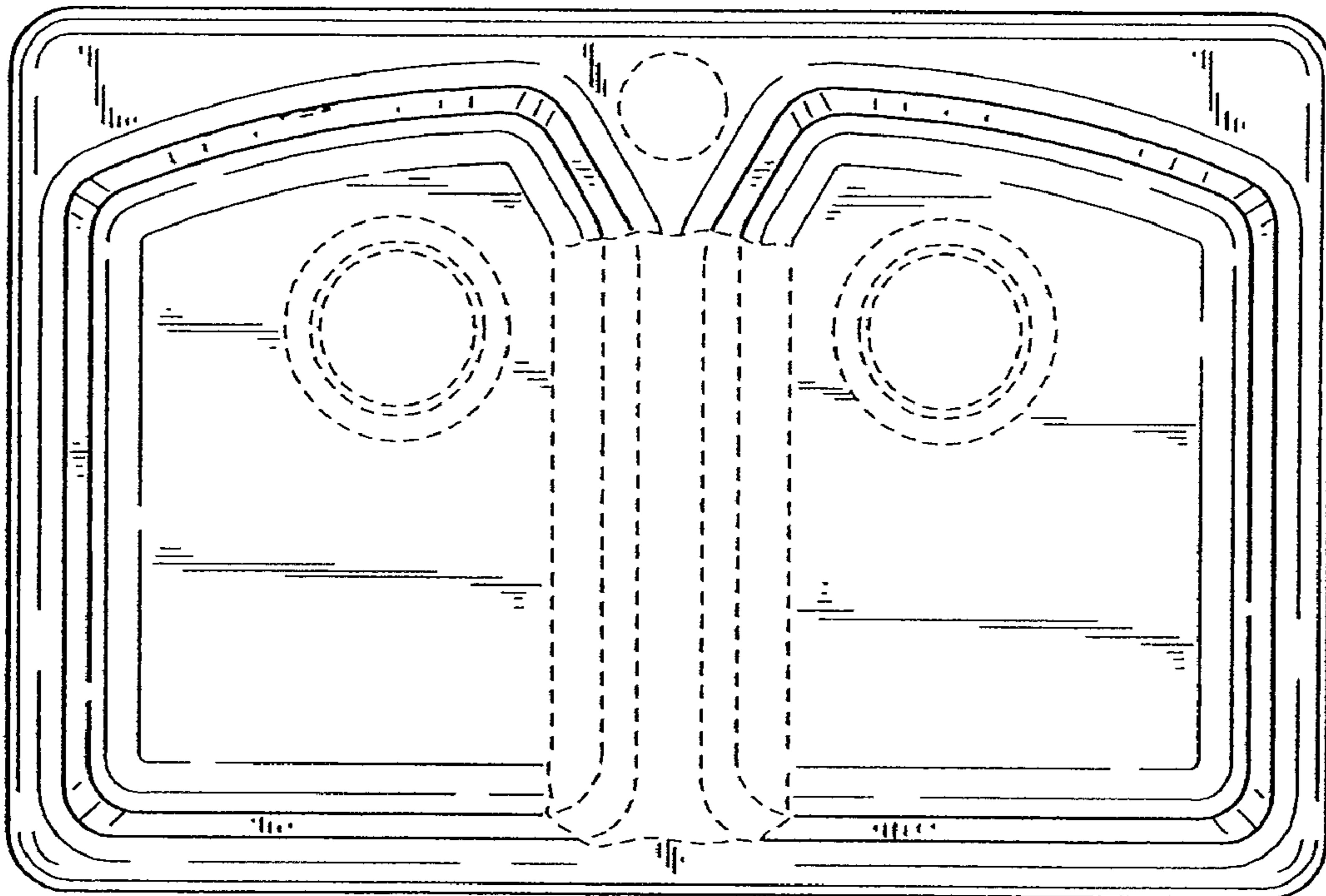


FIG. 3

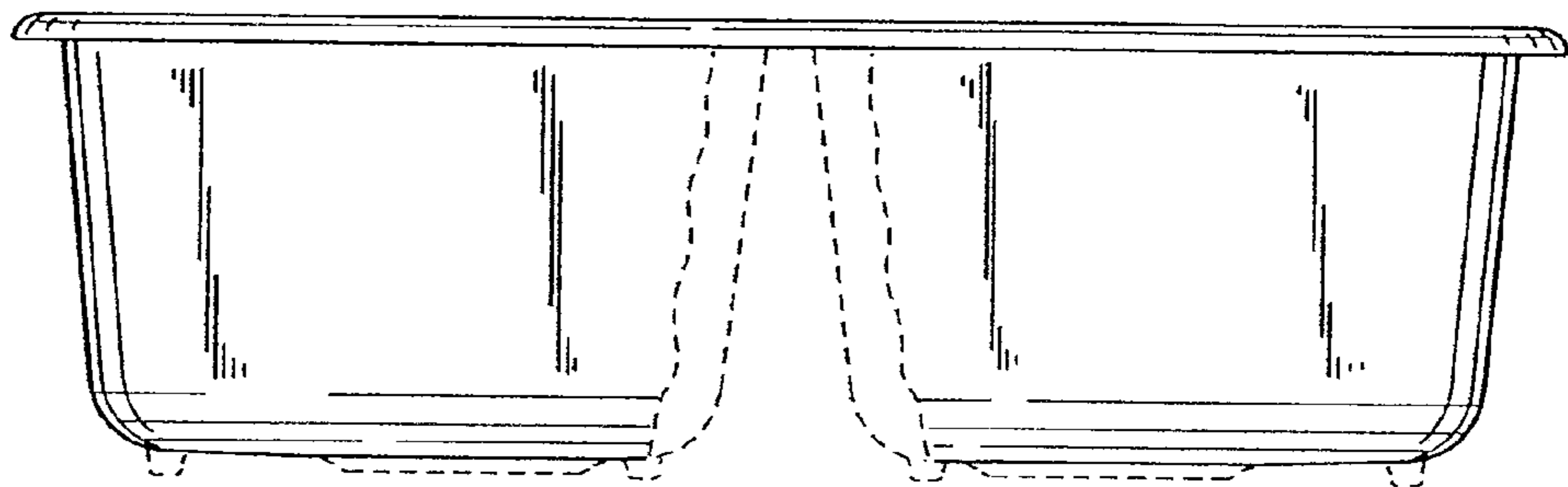


FIG. 4

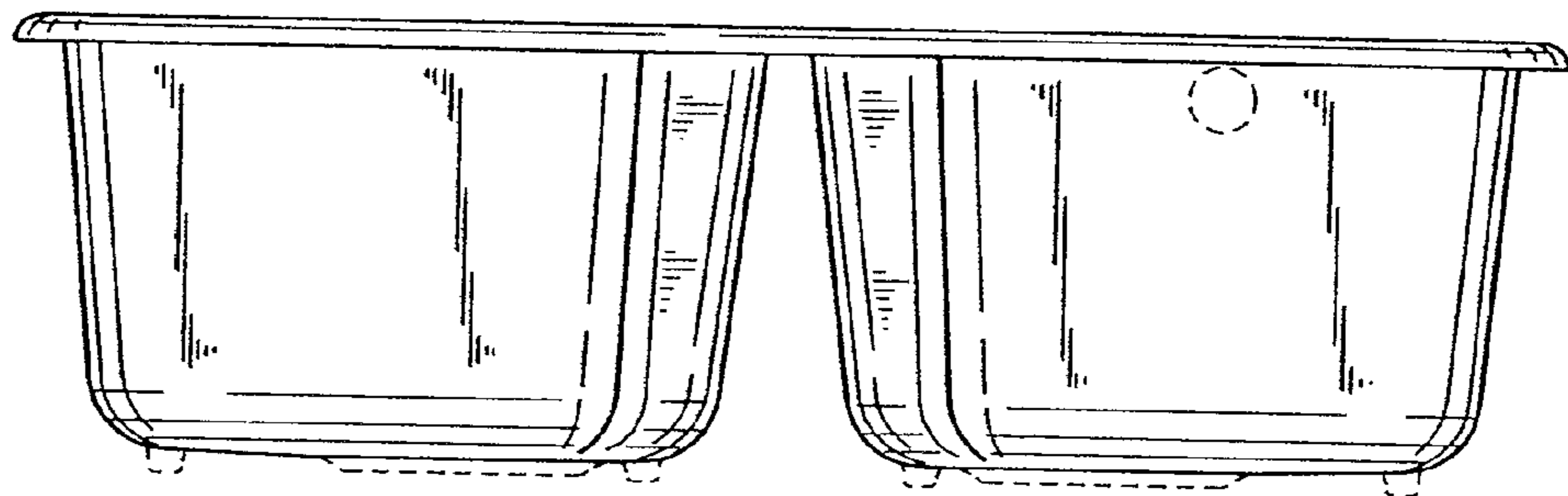
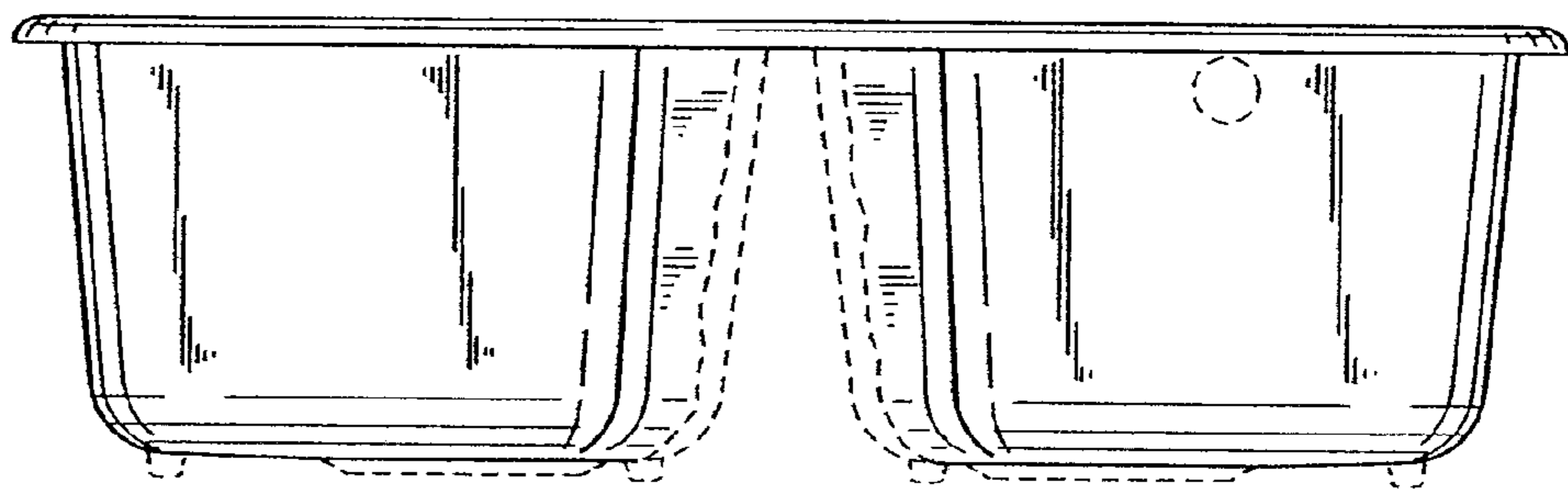


FIG. 5



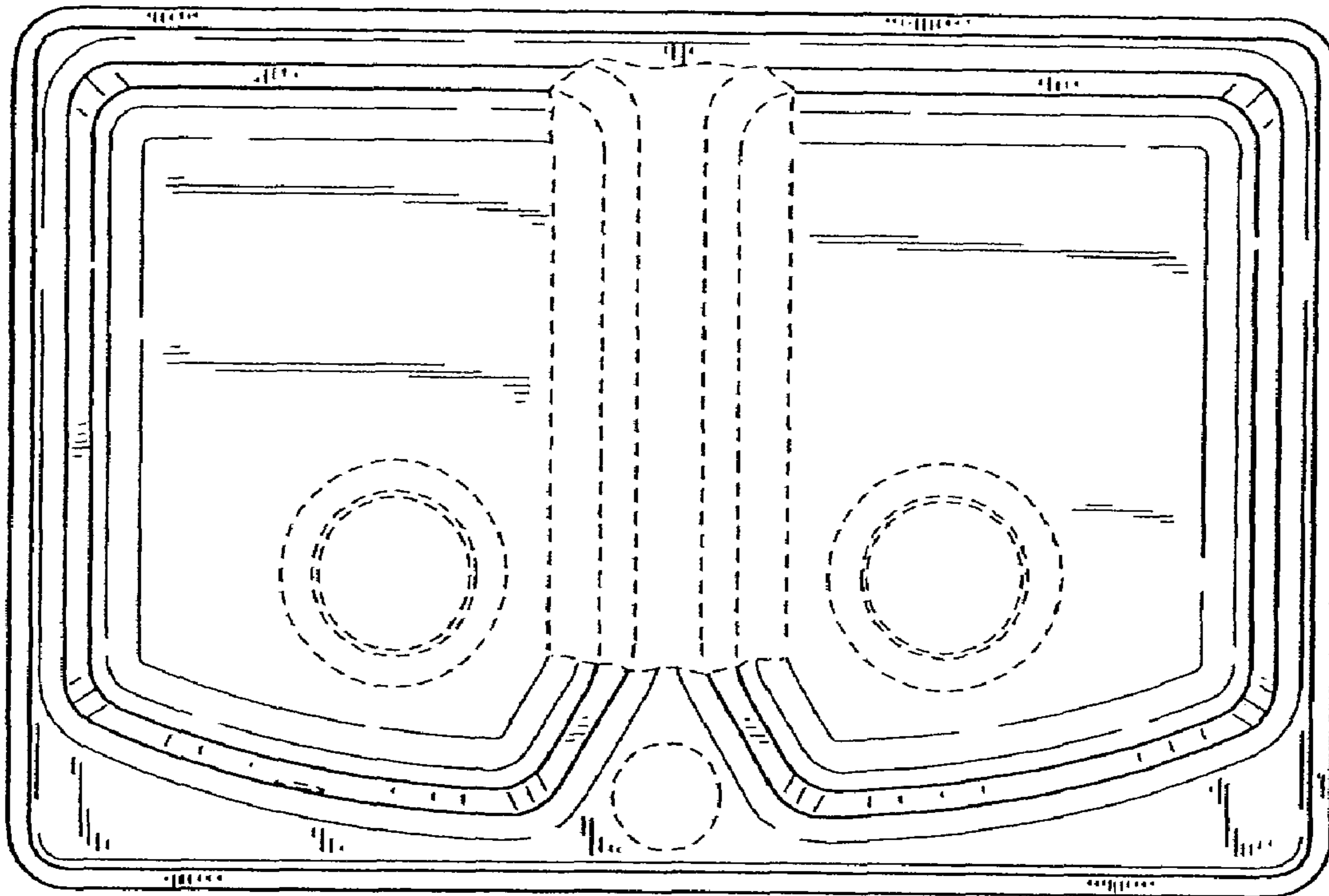


FIG. 6