

US00D570966S

(12) **United States Design Patent**
Gilligan

(10) **Patent No.:** **US D570,966 S**

(45) **Date of Patent:** **** Jun. 10, 2008**

(54) **HOLE COVER**

(76) **Inventor:** **Steven R. Gilligan**, 561 W. 16th St.,
Chicago, IL (US) 60616

(**) **Term:** **14 Years**

(21) **Appl. No.:** **29/286,053**

(22) **Filed:** **Apr. 20, 2007**

Related U.S. Application Data

(63) Continuation-in-part of application No. 29/259,342,
filed on May 5, 2006.

(51) **LOC (8) Cl.** **23-01**

(52) **U.S. Cl.** **D23/260**

(58) **Field of Classification Search** D23/259-261;
D25/36; D8/310; 52/19-20, 105, 220.1,
52/220.5, 220.8, 302.7, 99; 138/89, 89.3,
138/92, 96 R, 96 T; 220/287, 315; 473/173-180
See application file for complete search history.

(56) **References Cited**

U.S. PATENT DOCUMENTS

D254,928 S *	5/1980	Mathis	D23/261
D363,769 S *	10/1995	Phillips et al.	D23/261
5,845,442 A	12/1998	Strehlow		
6,360,779 B1 *	3/2002	Wagner et al.	138/92
D458,350 S *	6/2002	Wagner et al.	D23/260

D476,076 S	6/2003	Legg		
6,682,257 B1	1/2004	Zappe		
D493,517 S	7/2004	Legg		
6,887,012 B1	5/2005	Zappe		
D528,192 S *	9/2006	Nicholson	D23/260
2004/0084099 A1 *	5/2004	Miura	138/89

* cited by examiner

Primary Examiner—Louis S Zarfaz

Assistant Examiner—Eric L Goodman

(74) *Attorney, Agent, or Firm*—Leydig, Voit & Mayer, Ltd.

(57) **CLAIM**

The ornamental design for a hole cover, as shown and described.

DESCRIPTION

FIG. 1 is a top perspective view of a hole cover showing my new design;

FIG. 2 is a bottom perspective view thereof;

FIG. 3 is a top plan view thereof;

FIG. 4 is a side elevation view thereof; and,

FIG. 5 is a bottom plan view thereof.

The broken line showing in FIGS. 1 and 3 is included for illustration purposes only and forms no part of the claimed design.

1 Claim, 3 Drawing Sheets

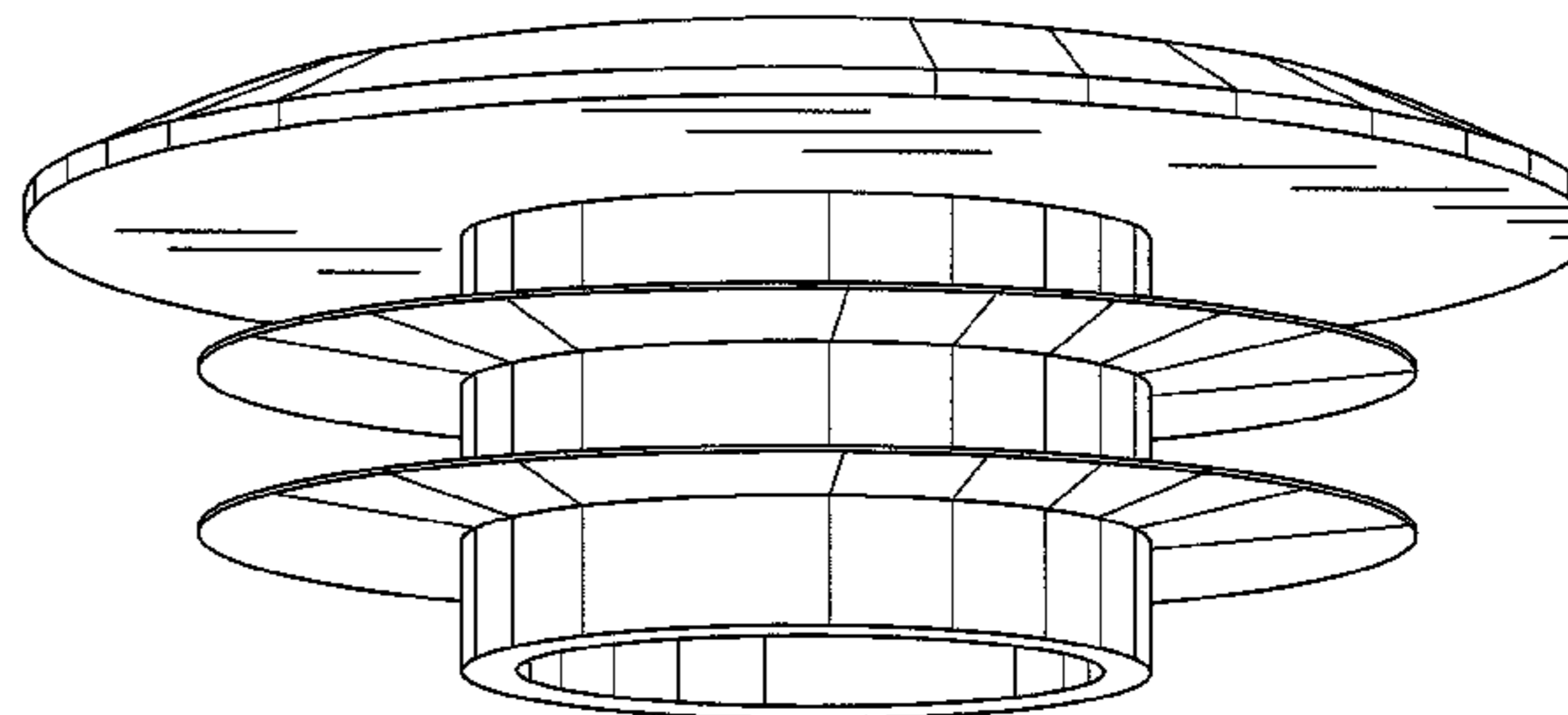
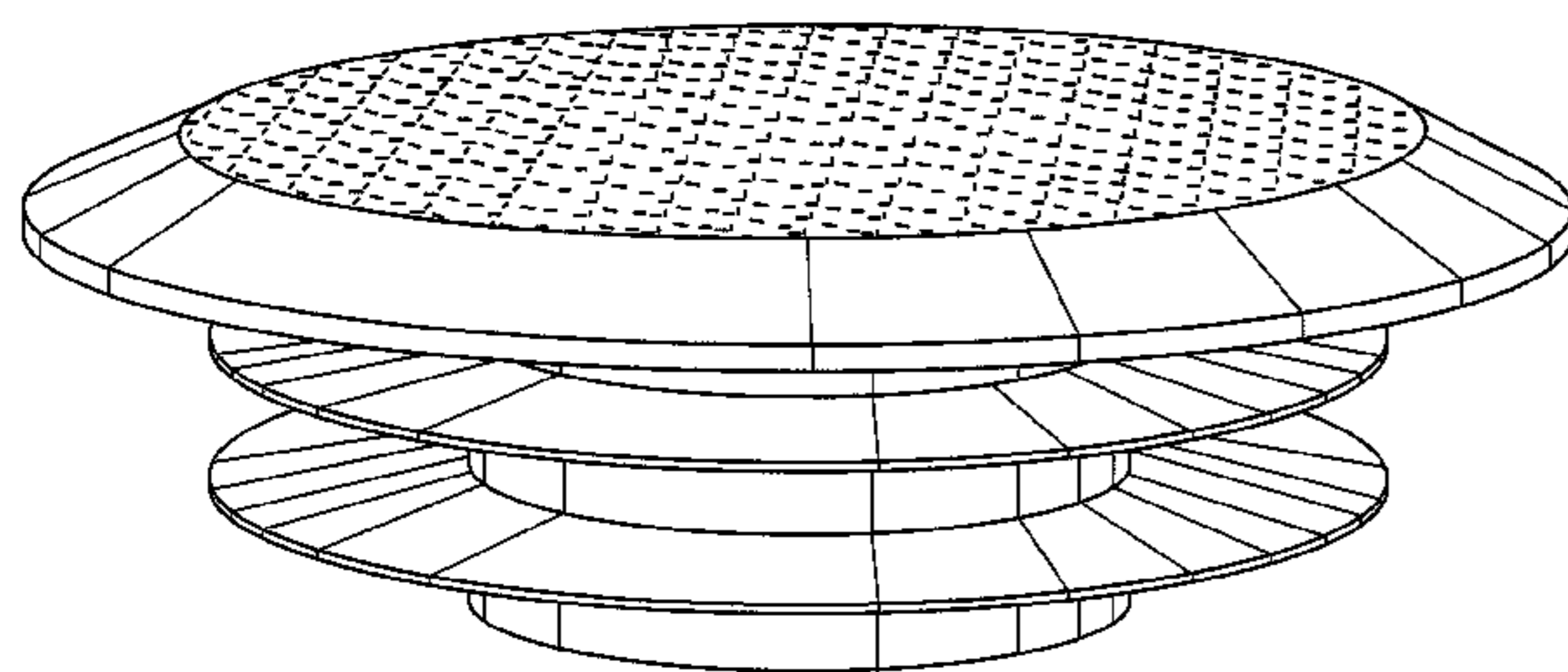


FIG. 1

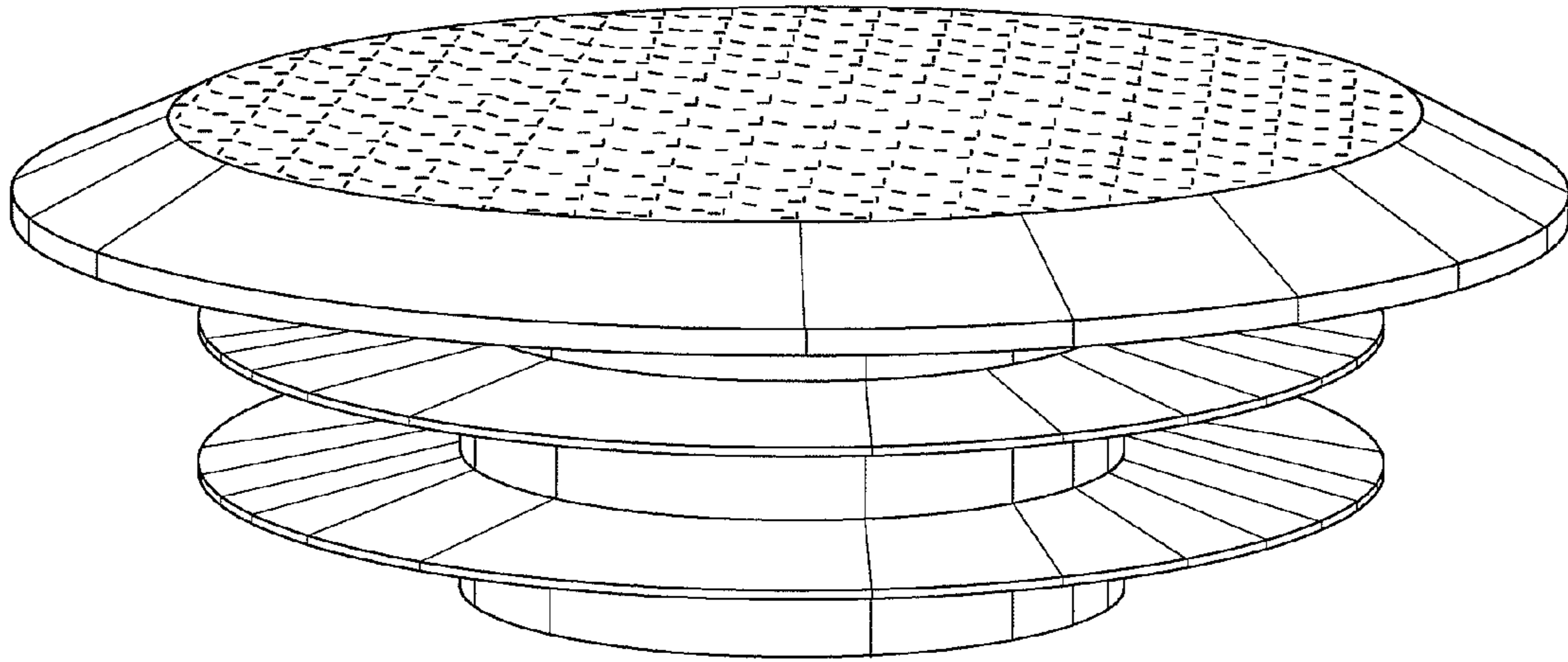


FIG. 2

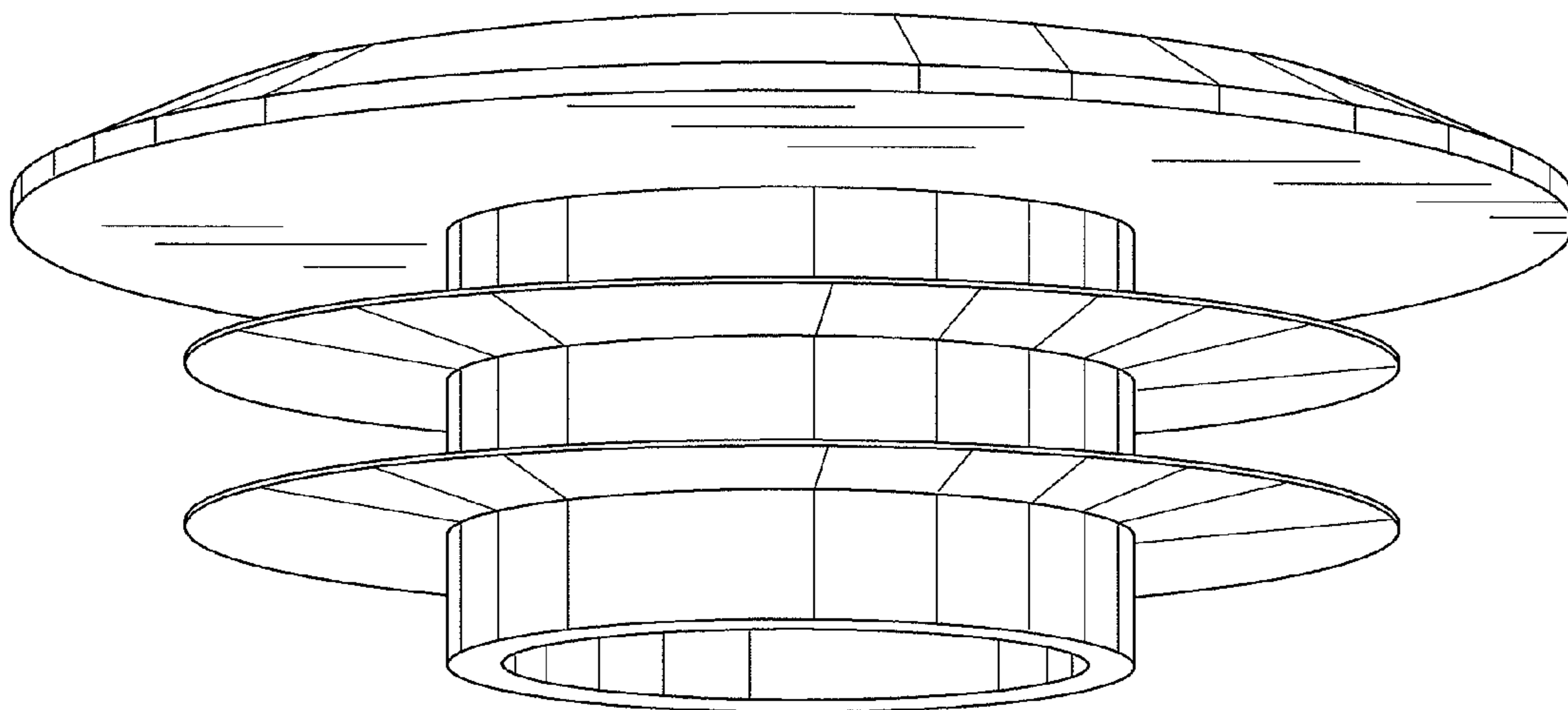


FIG. 3

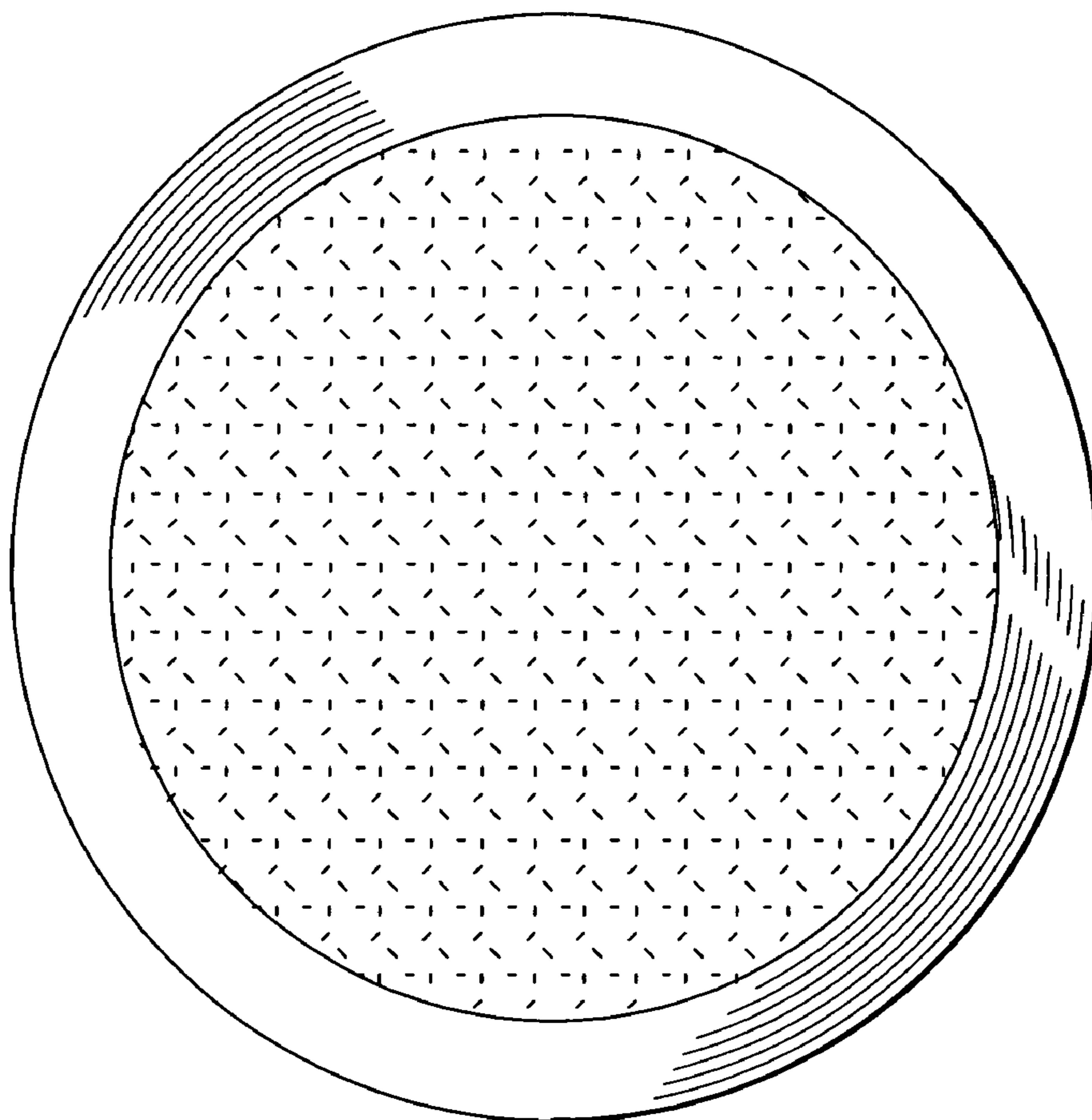


FIG. 4

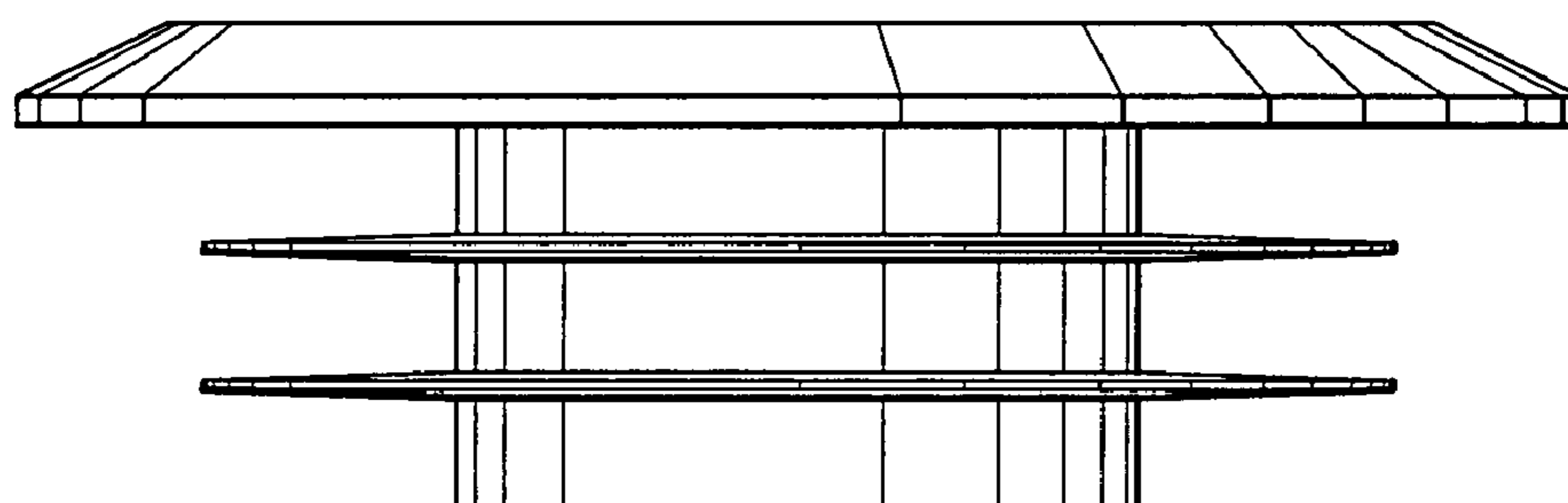


FIG. 5

