

US00D570962S

(12) **United States Design Patent**
Dolan

(10) **Patent No.:** **US D570,962 S**
(45) **Date of Patent:** **** Jun. 10, 2008**

(54) **FAUCET HANDLE HUB**

D526,702 S * 8/2006 Kosasih D23/252
D558,304 S * 12/2007 Hoernig D23/252

(76) Inventor: **Patrick S. Dolan**, 2700 NW. Front Ave., Portland, OR (US) 97210

(**) Term: **14 Years**

(21) Appl. No.: **29/270,978**

(22) Filed: **Jan. 5, 2007**

(51) **LOC (8) Cl.** **23-02**

(52) **U.S. Cl.** **D23/250**

(58) **Field of Classification Search** D23/250-257,
D23/238-243, 244-249; 4/675-678; D8/300,
D8/307-308, 310-312, 321; D6/550; 137/801;
16/110.1, 441

See application file for complete search history.

(56) **References Cited**

U.S. PATENT DOCUMENTS

D332,824 S	1/1993	Robbins	
D349,330 S	8/1994	Sauter	
D350,390 S	9/1994	Bollenbacher	
D352,095 S	11/1994	Bollenbacher	
D365,384 S	12/1995	Robbins	
D371,826 S	7/1996	Robbins	
D375,149 S	10/1996	Robbins	
D375,345 S	11/1996	Warshawsky	
D407,466 S	3/1999	Hundley	
D412,025 S	7/1999	Mark	
D437,394 S	2/2001	Mark	
D443,919 S	6/2001	Lord	
D444,542 S	7/2001	Burns	
D461,532 S	8/2002	Ouyoung	
D462,749 S	9/2002	Lord	
D465,008 S	10/2002	Lord	
D466,981 S	12/2002	Cosolito	
D472,607 S	4/2003	Warshawsky	
D483,093 S	12/2003	Bates	
D491,639 S	6/2004	Egee	
D501,346 S	2/2005	Gilbert	
D509,285 S	9/2005	Blattner	
D513,310 S	12/2005	Kulig	
D514,201 S	1/2006	Kulig	
D522,629 S *	6/2006	Fritz D23/252

OTHER PUBLICATIONS

Copending Application Internal Ref. # AY 1229-A, Aihui Yuan, Filed: Jan. 5, 2007.
 Copending Application Internal Ref. # AY 1229-B, Aihui Yuan, Filed: Jan. 5, 2007.
 Copending Application Internal Ref. # PD 1229-H, Patrick S. Dolan, Filed: Jan. 5, 2007.
 Newport Brass, Model: 1030-01, As on website: www.faucetdepot.com Oct. 17, 2006.
 Kohler, Model: K161114A, As on website: www.faucet.com Jan. 3, 2007.
 Bach, Model: BL402, As on website: www.faucetdirect.com Oct. 20, 2006.
 Paul Decorative Products, Model: C731-00, As on website: www.faucetdirect.com Oct. 20, 2006.
 Pegasus, Model: 813-946, As on website: www.faucetdirect.com Oct. 20, 2006.
 Blanco, Model: 157-026, As on website: www.faucet.com Jun. 2, 2006.
 Etoile, Model: ETL562, As on website: www.waterworks.com Oct. 15, 2006.

* cited by examiner

Primary Examiner—Robert A Delehanty

(57) **CLAIM**

The ornamental design for a faucet handle hub, as shown and described.

DESCRIPTION

FIG. 1 is a perspective view of a faucet handle hub showing my new design;

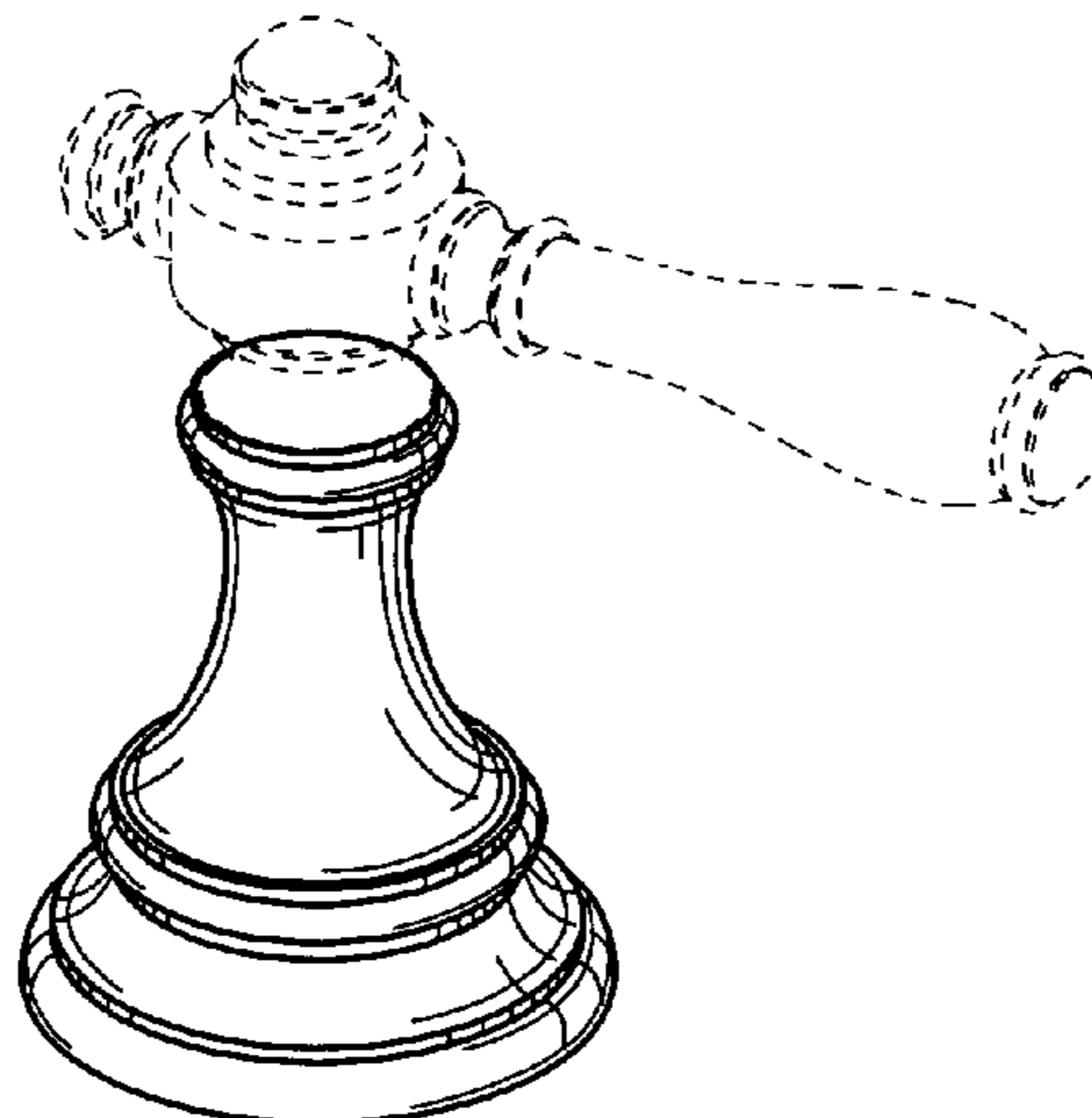
FIG. 2 is a front elevational view thereof;

FIG. 3 is a right side view, the left side view being a mirror image thereof; and,

FIG. 4 is a top plan view thereof.

The broken line showing of environmental structure is for illustrative purposes only and forms no part of the claimed design.

1 Claim, 4 Drawing Sheets



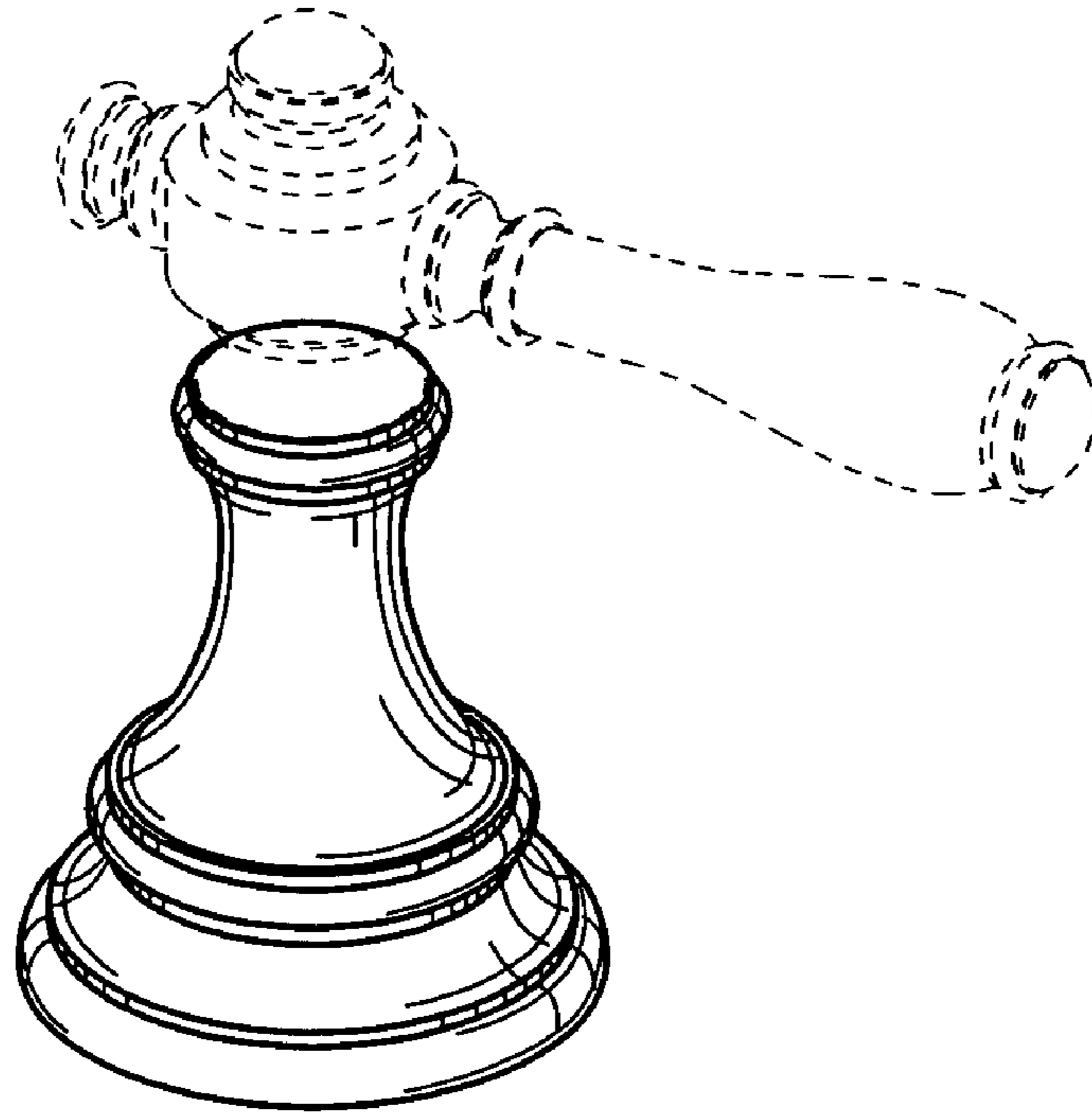


FIG. 1

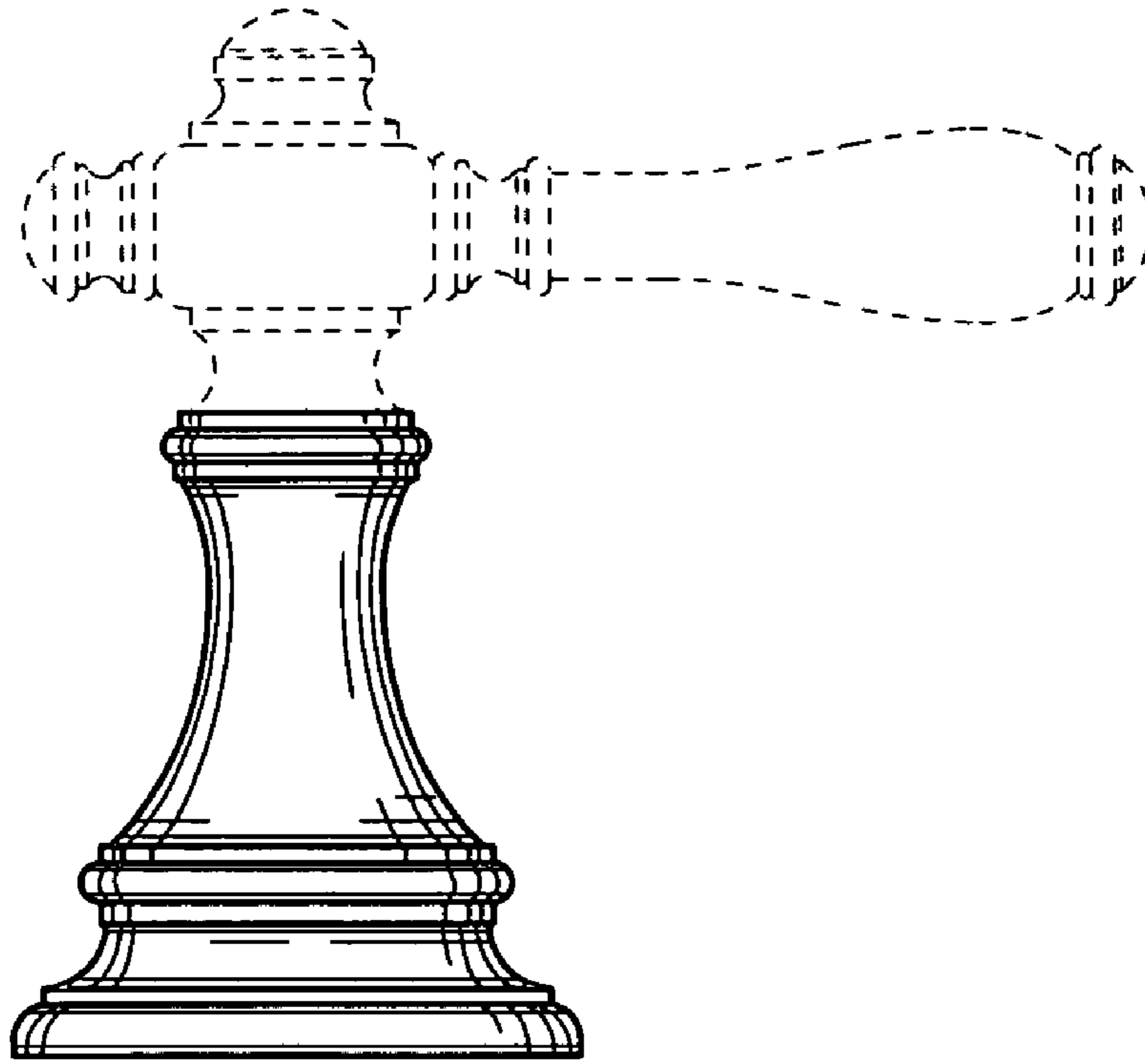


FIG. 2

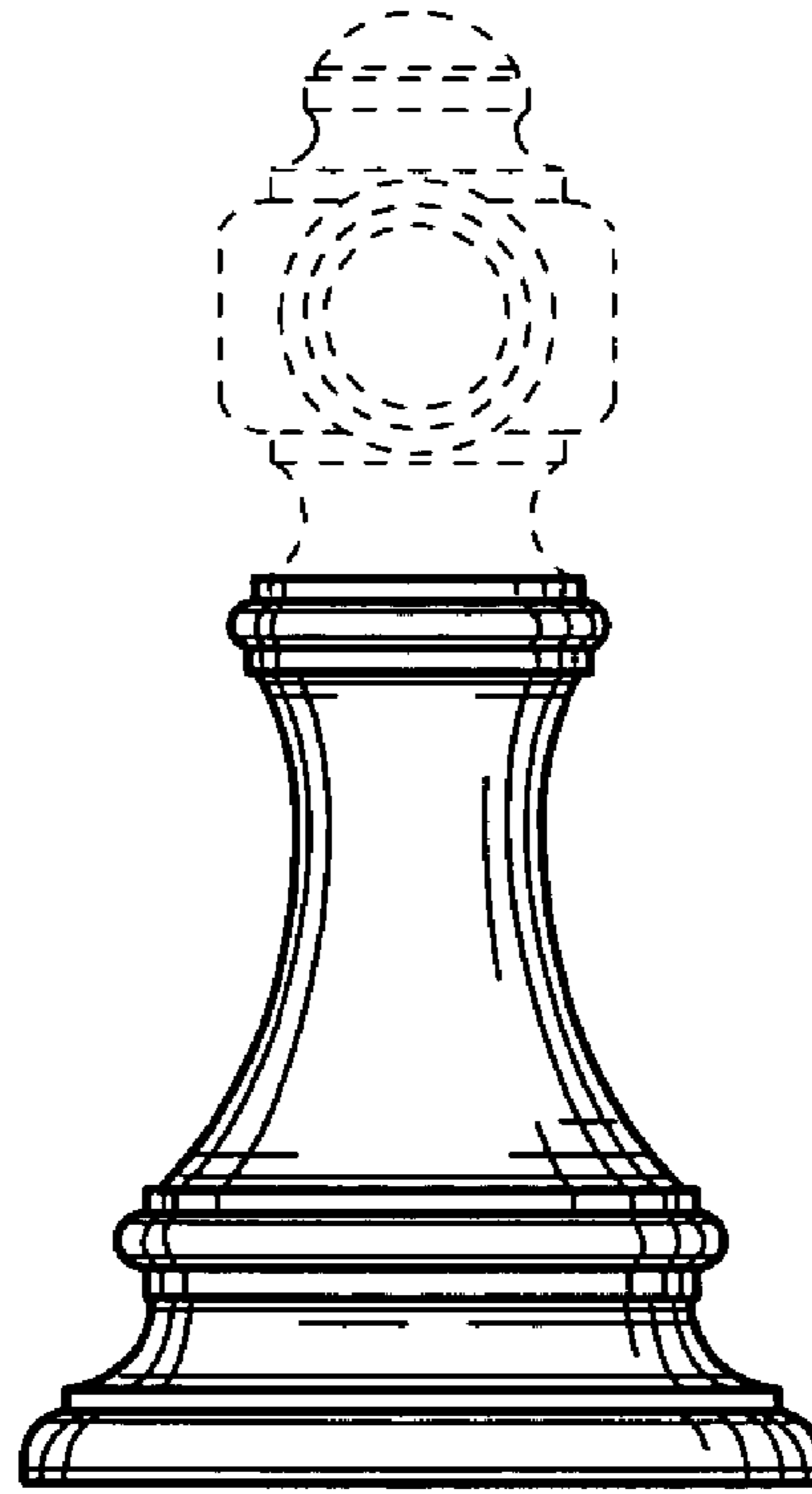


FIG. 3

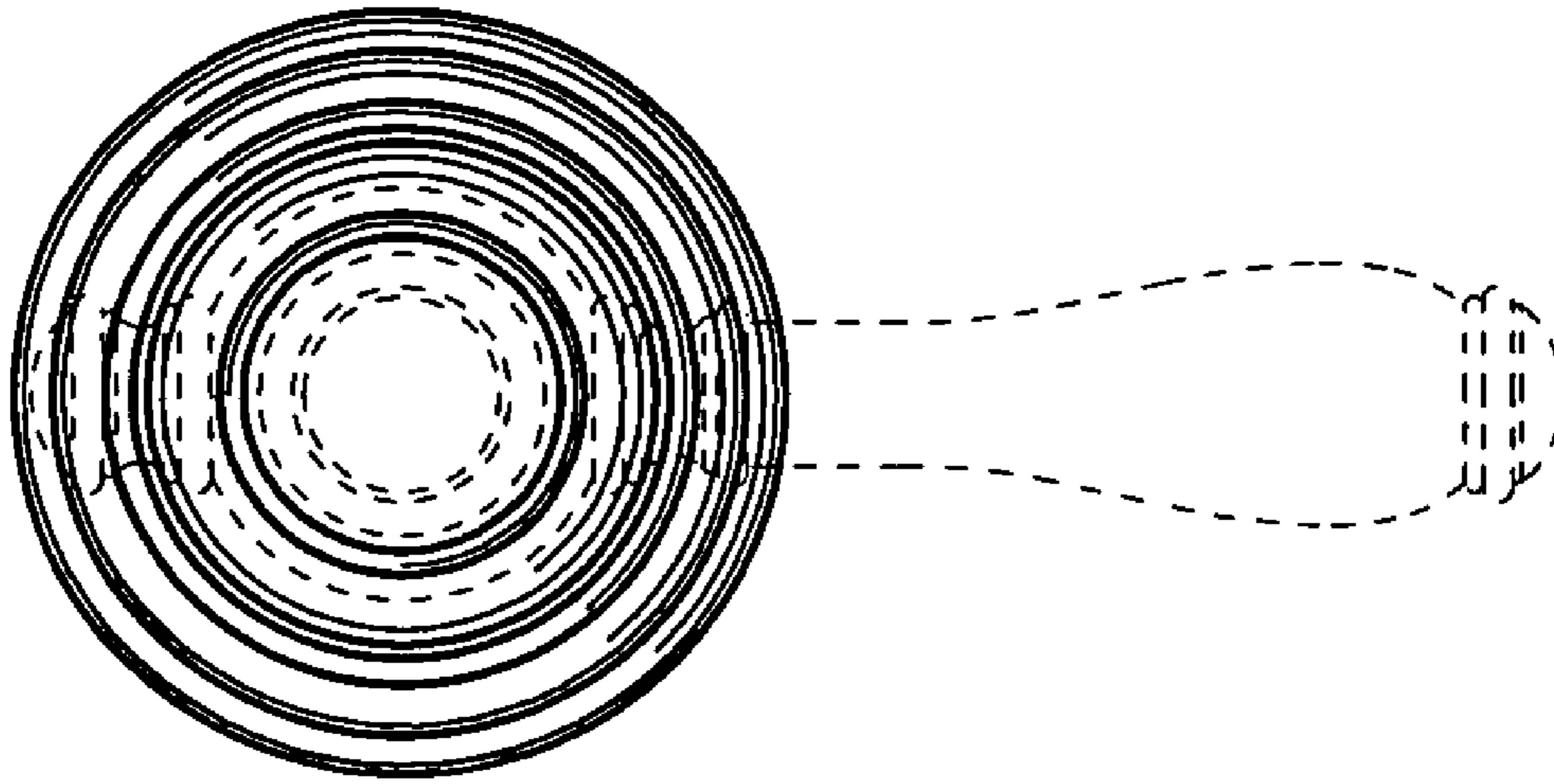


FIG. 4