

US00D570961S

(12) **United States Design Patent**
Grether

(10) **Patent No.:** **US D570,961 S**
(45) **Date of Patent:** **** *Jun. 10, 2008**

(54) **FLOW REGULATOR**

(75) Inventor: **Hermann Grether**, Mullheim (DE)

(73) Assignee: **Neoperl GmbH**, Mullheim (DE)

(*) Notice: This patent is subject to a terminal disclaimer.

(**) Term: **14 Years**

(21) Appl. No.: **29/249,694**

(22) Filed: **Oct. 18, 2006**

(30) **Foreign Application Priority Data**

May 8, 2006 (EM) 000525167

(51) **LOC (8) Cl.** **23-01**

(52) **U.S. Cl.** **D23/249; D23/208**

(58) **Field of Classification Search** D23/233-237, D23/244-249, 213, 255, 257, 241, 242, 260, D23/208; 138/41, 42, 37, 40; 239/428.5, 239/552, 553.5, 553.3; 261/DIG. 22
See application file for complete search history.

(56) **References Cited**

U.S. PATENT DOCUMENTS

2,793,016	A *	5/1957	Aghnides	239/391
4,313,564	A *	2/1982	Shames et al.	239/110
5,467,929	A *	11/1995	Bosio	239/428.5
D428,114	S *	7/2000	Le Bars	D23/233
6,126,093	A *	10/2000	Grether et al.	239/428.5
6,152,182	A *	11/2000	Grether et al.	138/42
6,354,903	B1 *	3/2002	Nelson	445/58

6,892,964	B2 *	5/2005	Grether et al.	239/428.5
6,902,123	B2 *	6/2005	Grether et al.	239/428.5
D516,182	S *	2/2006	Buttgen	D23/249
7,093,425	B2 *	8/2006	Jankowski et al.	60/284
D529,588	S *	10/2006	Grether	D23/249
D533,923	S *	12/2006	Grether	D23/249
D536,066	S *	1/2007	Grether	D23/249
D536,067	S *	1/2007	Grether	D23/249
D536,068	S *	1/2007	Grether	D23/249
D536,069	S *	1/2007	Grether	D23/249
D536,424	S *	2/2007	Grether	D23/249
D539,390	S *	3/2007	Grether	D23/249
D539,872	S *	4/2007	Grether	D23/249

* cited by examiner

Primary Examiner—Ian Simmons
Assistant Examiner—Maurice Stevens
(74) *Attorney, Agent, or Firm*—Volpe and Koenig P.C.

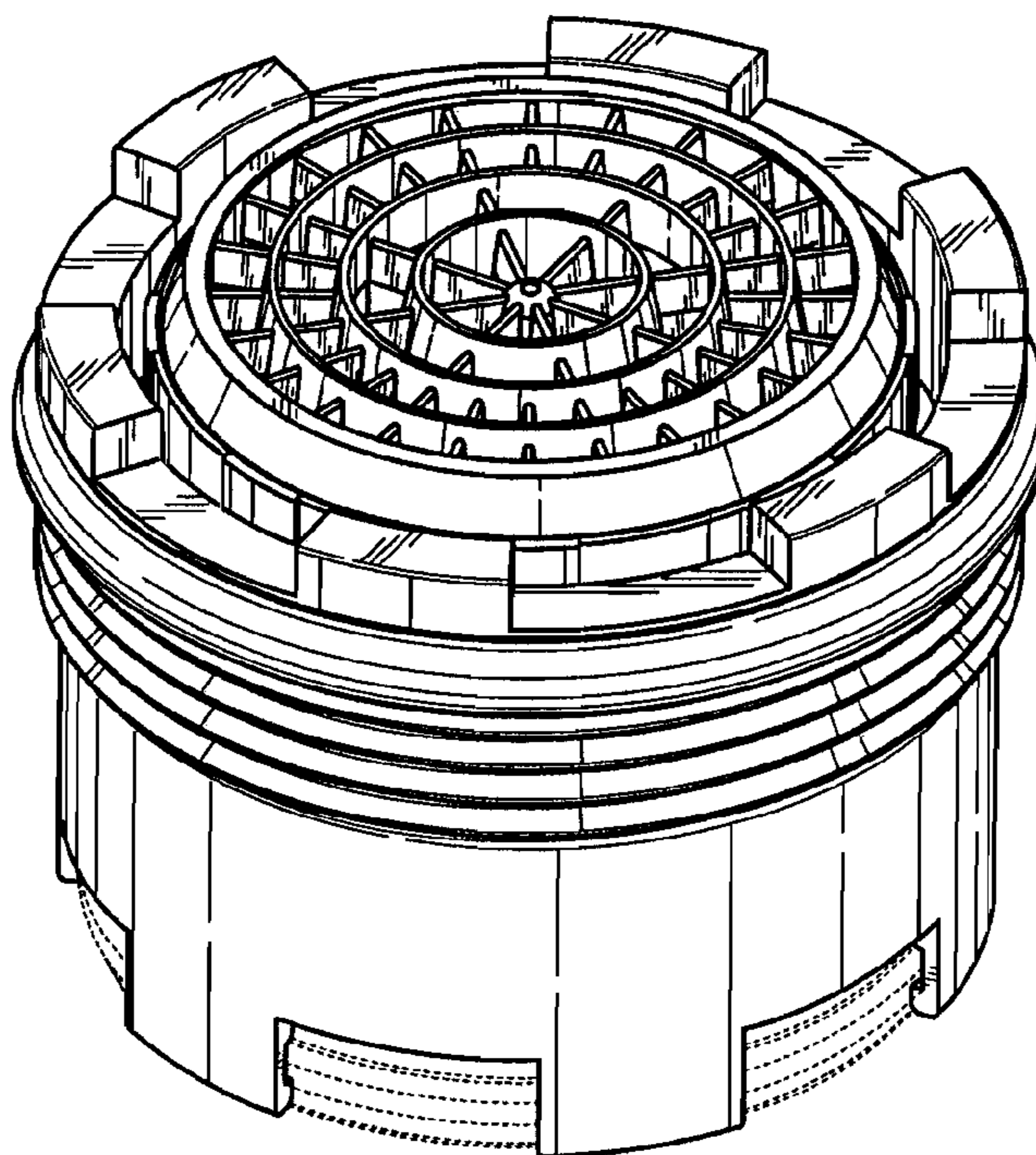
(57) **CLAIM**

The ornamental design for a flow regulator, as shown and described.

DESCRIPTION

FIG. 1 is a top, front perspective view of a flow regulator, showing my new design;
FIG. 2 is an elevational view thereof;
FIG. 3 is a top plan view thereof; and,
FIG. 4 is a bottom view thereof.
The broken lines are used to illustrate environmental structure and form no part of the claimed design.

1 Claim, 3 Drawing Sheets



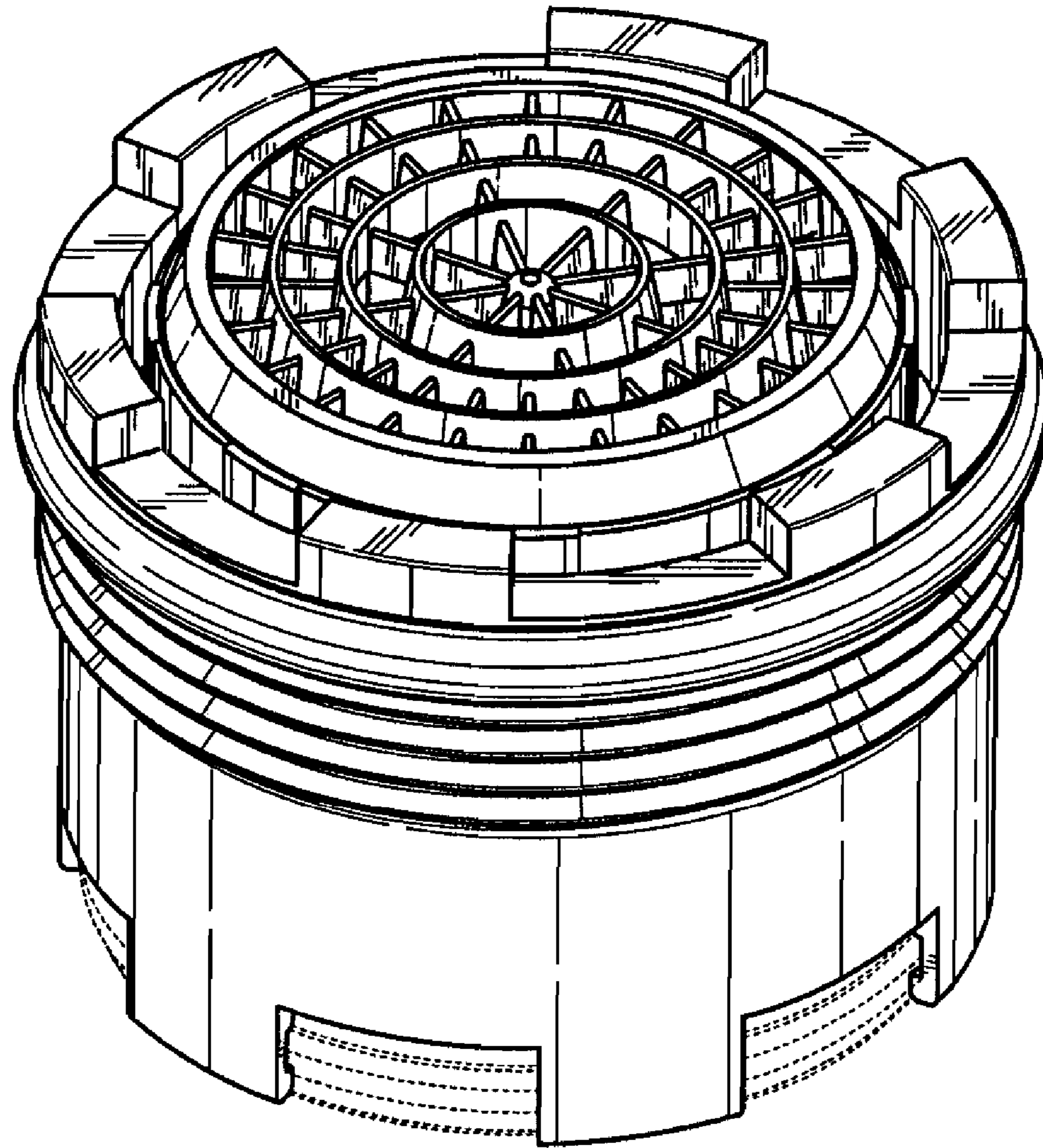


FIG. 1

FIG. 2

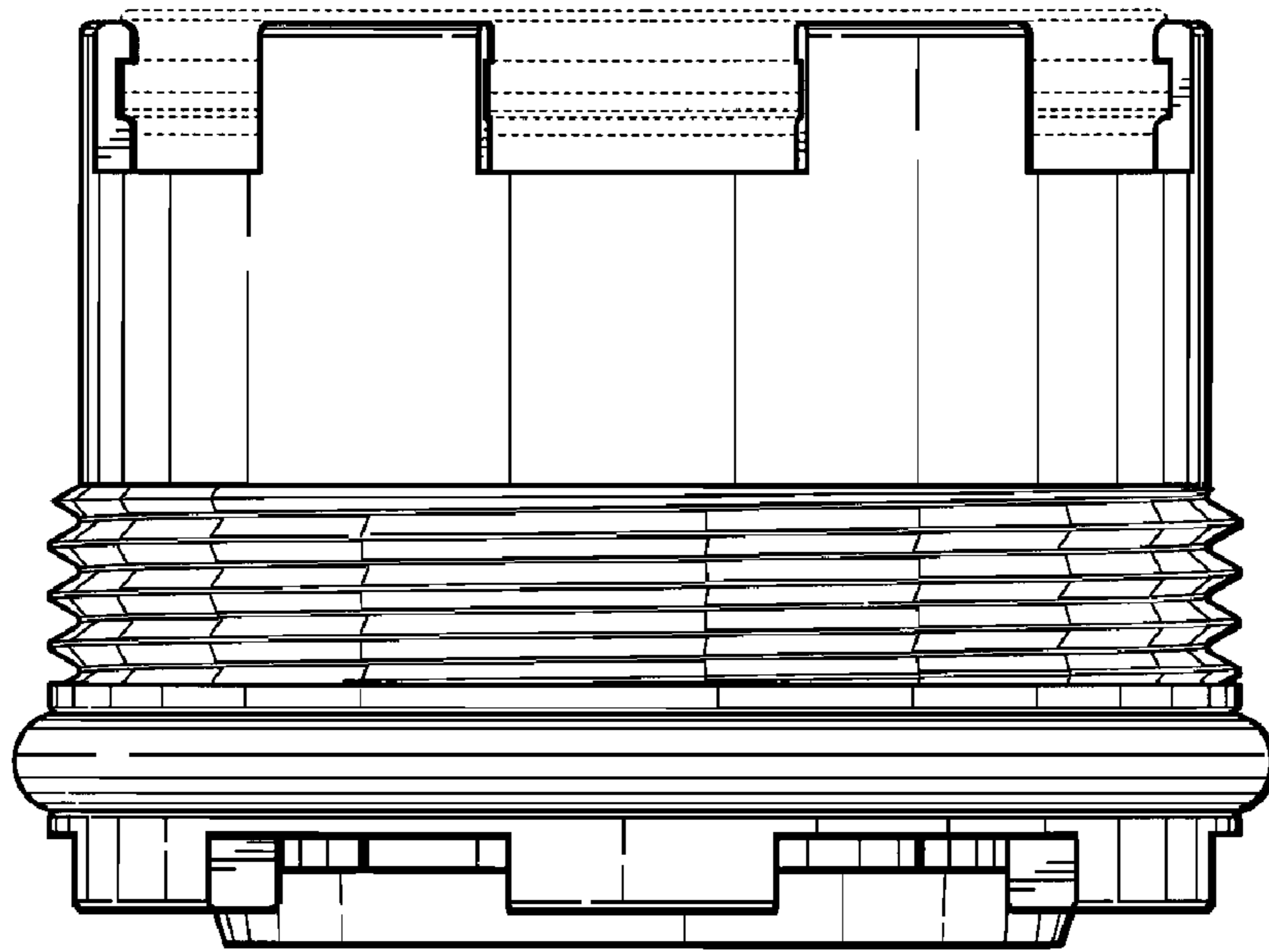
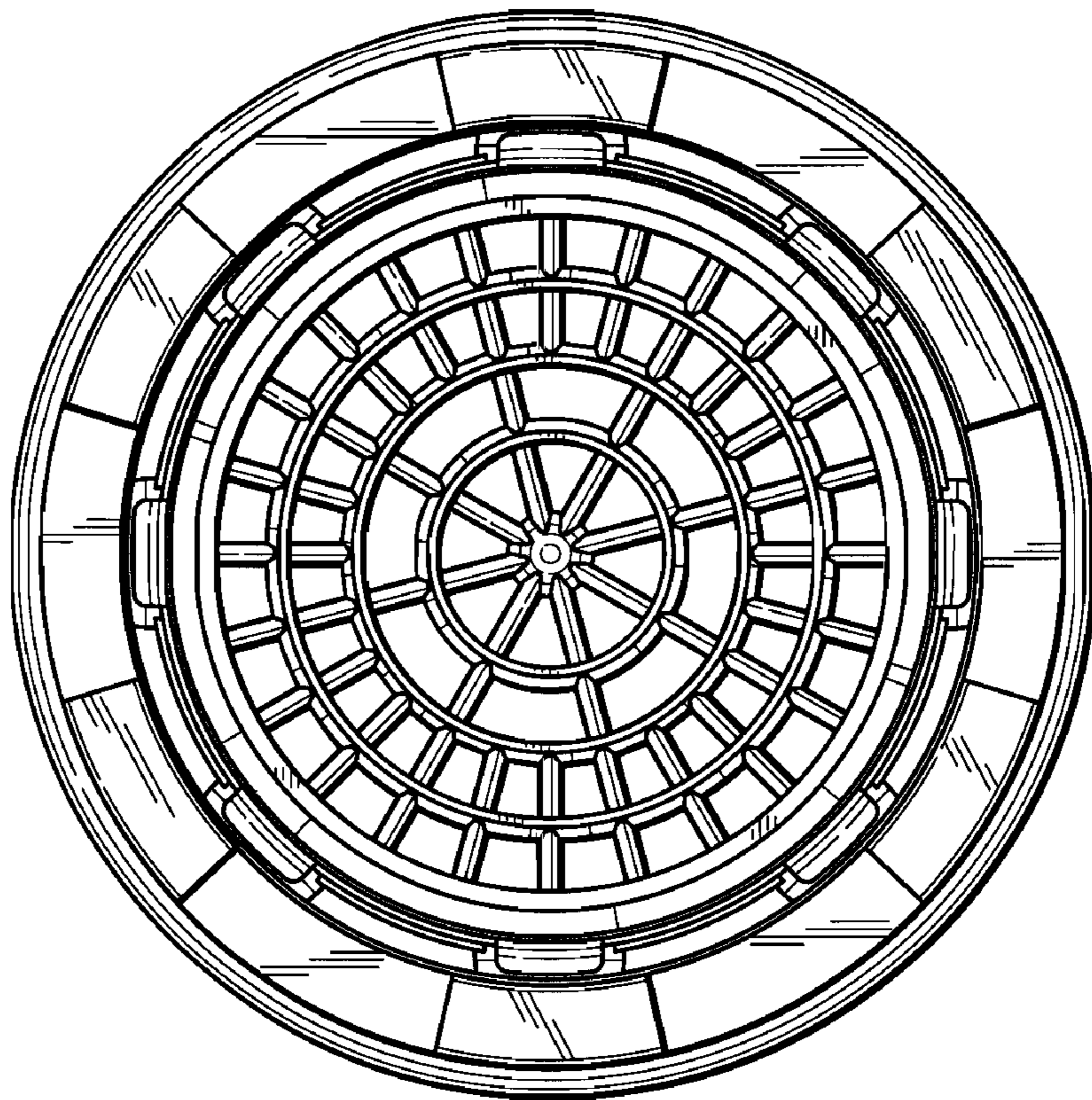


FIG. 3



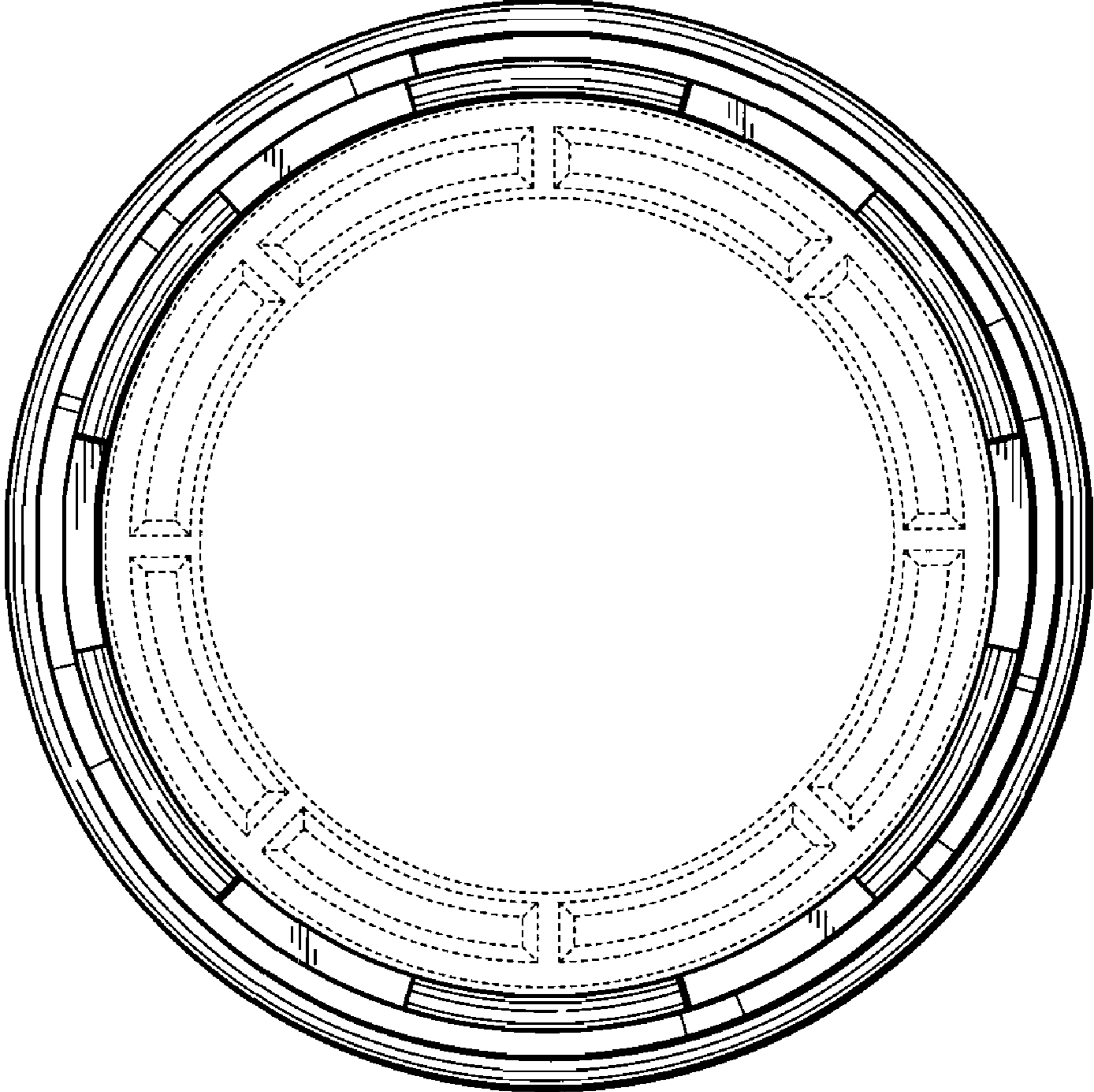


FIG. 4