

US00D570960S

(12) **United States Design Patent**  
**Semchuck et al.**

(10) **Patent No.:** **US D570,960 S**  
(45) **Date of Patent:** **\*\* Jun. 10, 2008**

(54) **FIXED FAUCET**

(75) Inventors: **Mario E. Semchuck**, Scottsdale, AZ  
(US); **Don C. Arnold**, Gurnee, IL (US)

(73) Assignee: **Fluid Designs, LLC**, Scottsdale, AZ  
(US)

(\*\*) Term: **14 Years**

(21) Appl. No.: **29/277,096**

(22) Filed: **Feb. 13, 2007**

(51) **LOC (8) Cl.** ..... **23-01**

(52) **U.S. Cl.** ..... **D23/238; D23/242**

(58) **Field of Classification Search** ..... **D23/238-257;**  
**4/675-678; 137/801**

See application file for complete search history.

(56) **References Cited**

**U.S. PATENT DOCUMENTS**

D254,801 S *	4/1980	Santi	.....	D23/238
D267,110 S *	11/1982	Arnolds	.....	D23/242
D267,189 S *	12/1982	Thompson	.....	D23/255
D296,461 S *	6/1988	Yost	.....	D23/241
D313,836 S *	1/1991	Knapp	.....	D23/238
D318,518 S *	7/1991	Schmidt et al.	.....	D23/238
D328,121 S *	7/1992	Pedersen et al.	.....	D23/209

D374,708 S *	10/1996	Doughty et al.	.....	D23/243
D472,308 S *	3/2003	Hundley	.....	D23/255
D481,445 S *	10/2003	Haug et al.	.....	D23/238
D521,601 S *	5/2006	Uhl	.....	D23/240
D521,612 S *	5/2006	Fritz	.....	D23/255
D523,117 S *	6/2006	Lord	.....	D23/250
D526,389 S *	8/2006	Lammel et al.	.....	D23/238

\* cited by examiner

*Primary Examiner*—Robert M. Spear

*Assistant Examiner*—Anna K Dworzecka

(74) *Attorney, Agent, or Firm*—Cardinal Law Group

(57) **CLAIM**

The ornamental design for a fixed faucet, as shown and described.

**DESCRIPTION**

FIG. 1 is a front right perspective view of a fixed faucet showing our new design;

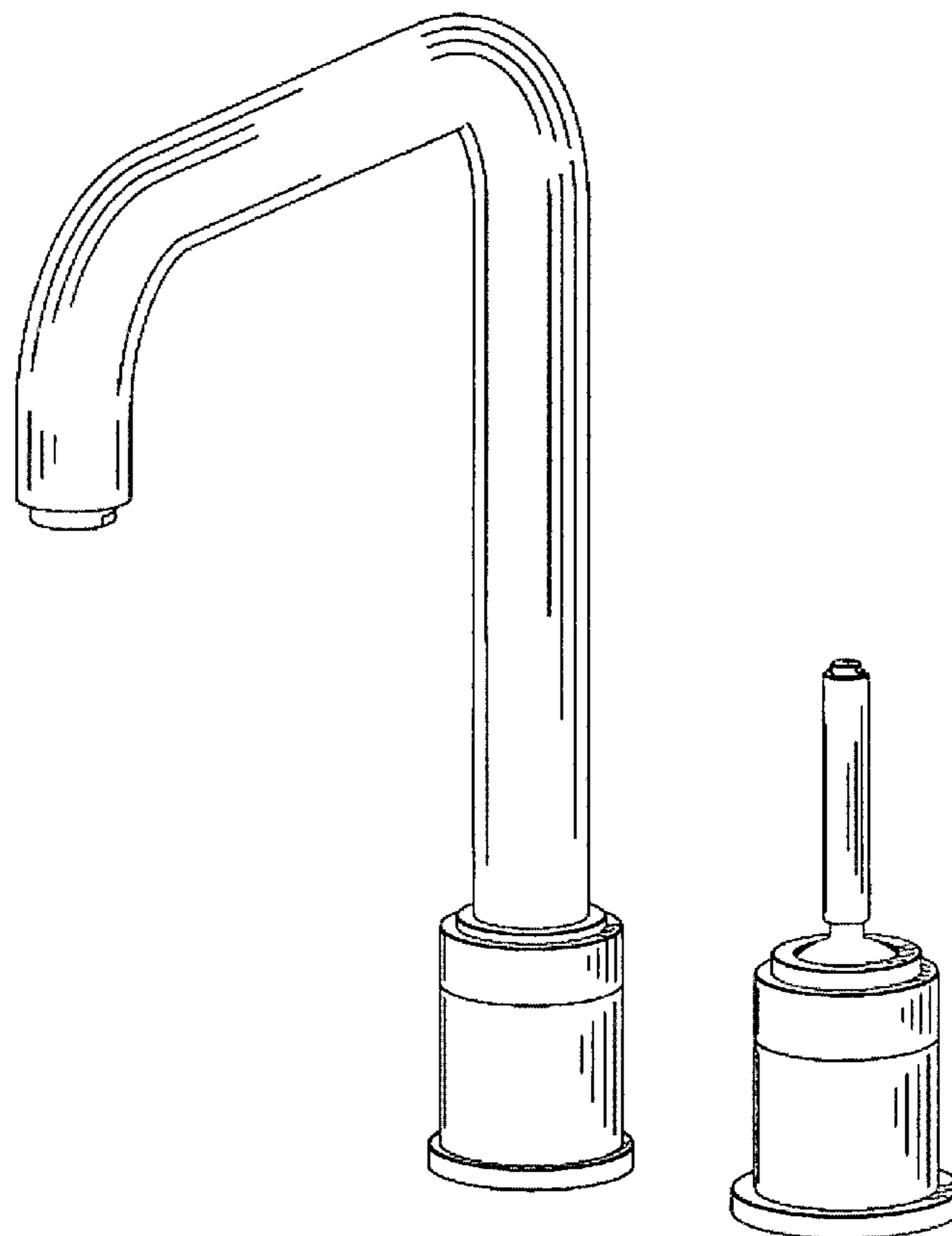
FIG. 2 is a right side view of the fixed faucet;

FIG. 3 is a rear view of the fixed faucet; and

FIG. 4 is a front view of the fixed faucet; and,

FIG. 5 is a top plan view of the fixed faucet.

**1 Claim, 5 Drawing Sheets**



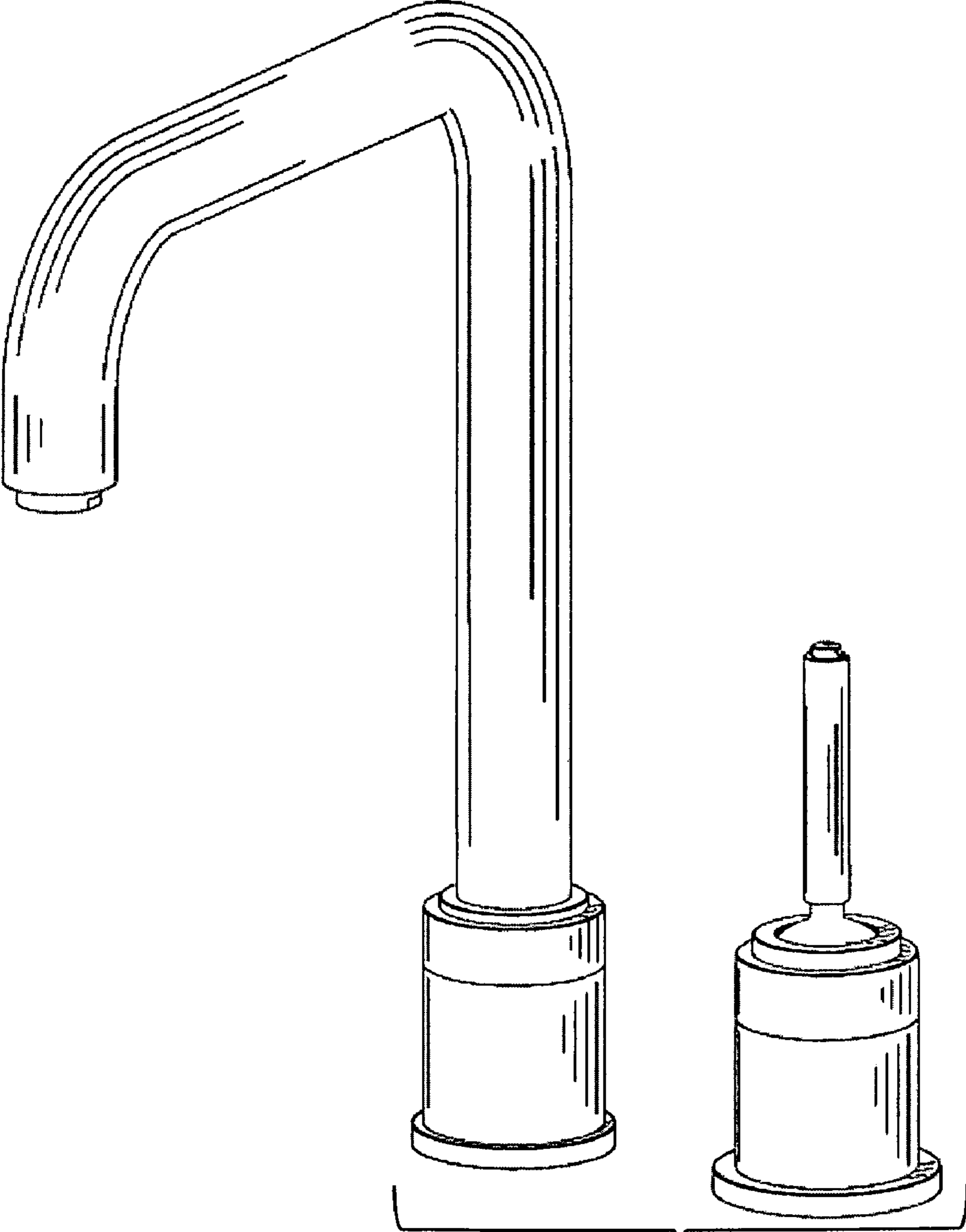


FIG. 1

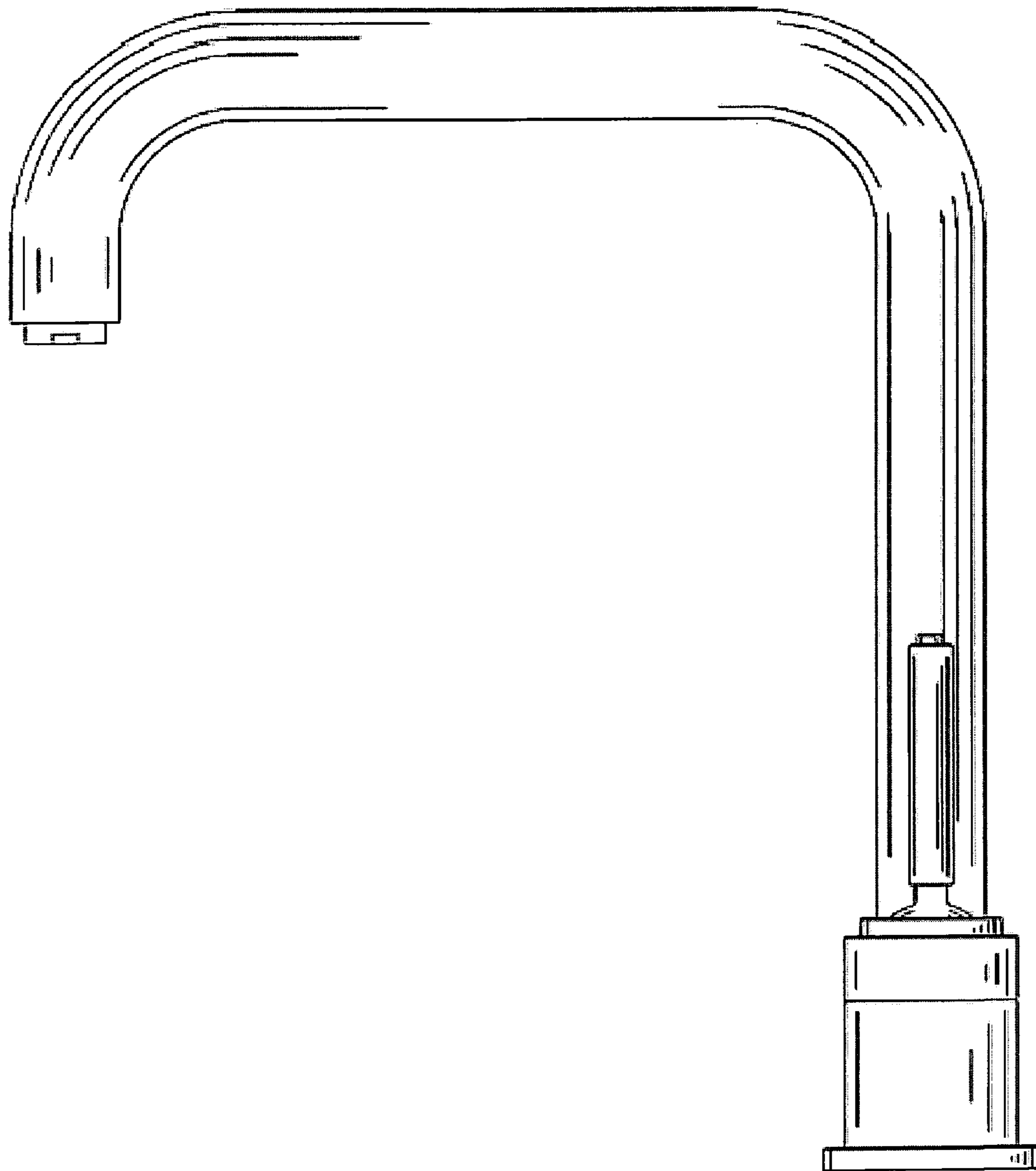


FIG. 2

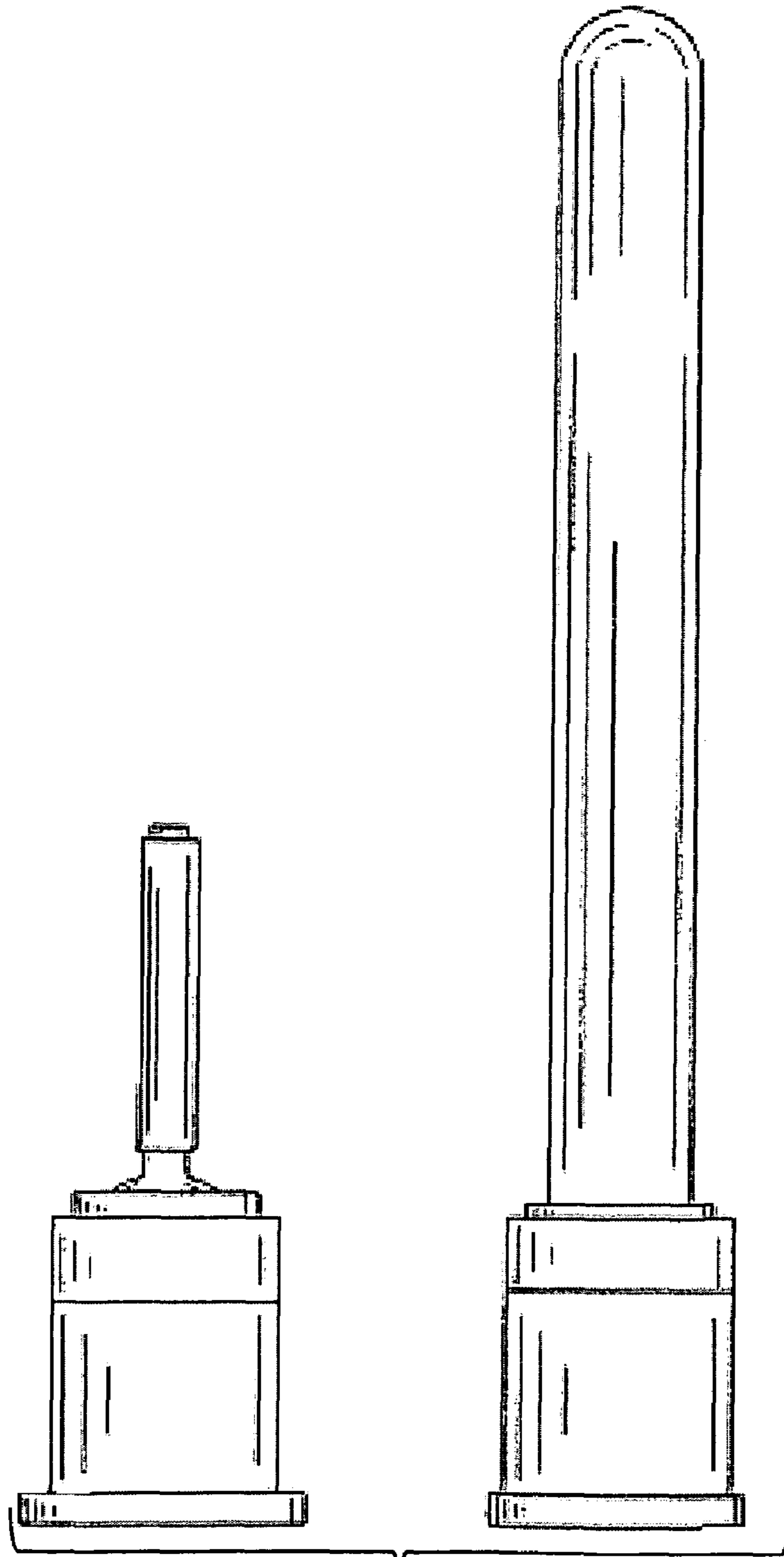


FIG. 3

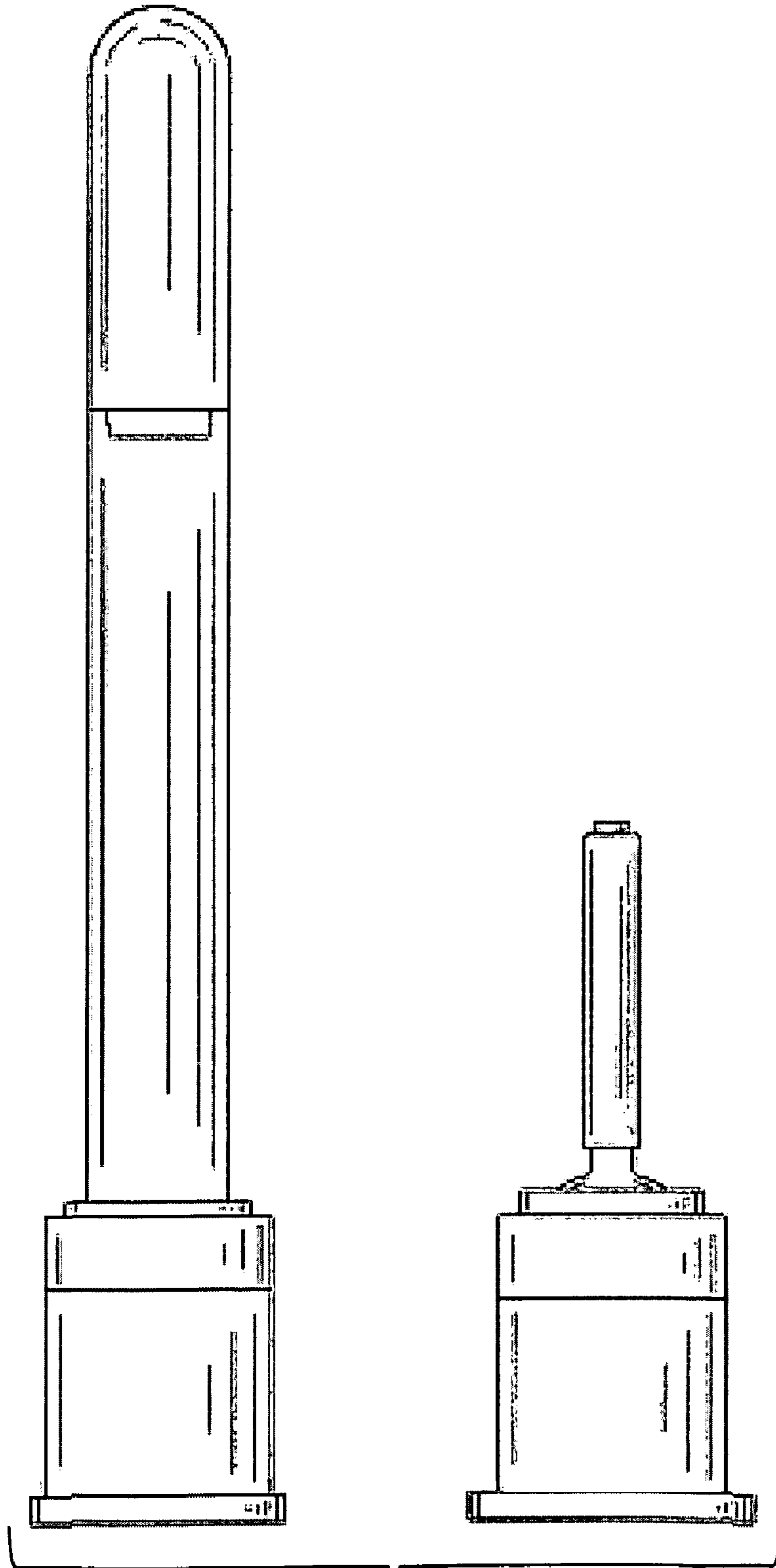


FIG. 4

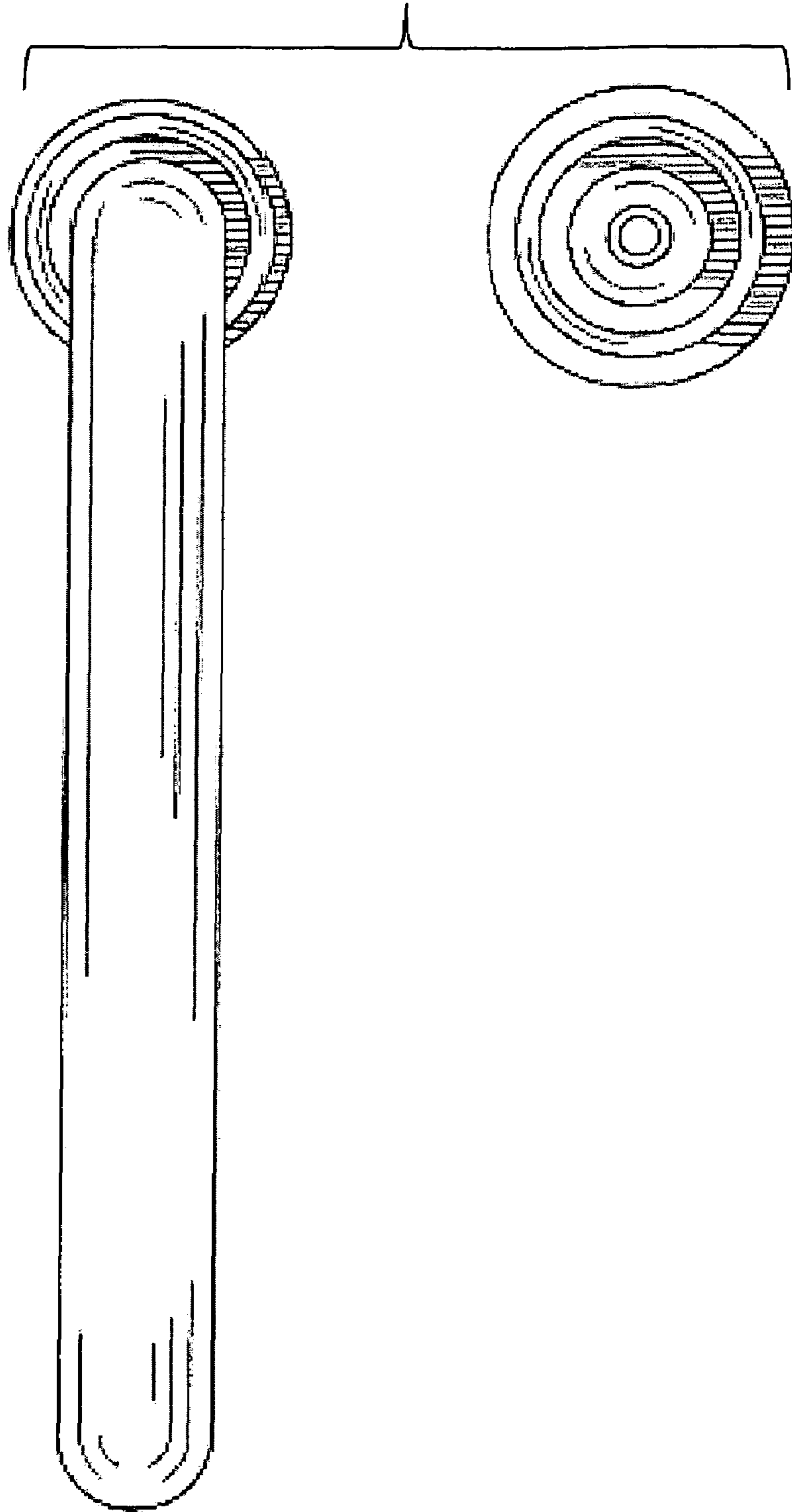


FIG. 5