



US00D570959S

(12) **United States Design Patent**  
**Lee**

(10) **Patent No.:** **US D570,959 S**  
(45) **Date of Patent:** **\*\* \*Jun. 10, 2008**

(54) **SINK FIXTURE**

(75) Inventor: **William A. Lee**, Wheaton, IL (US)

(73) Assignee: **Marcoll International Corp.**, Omaha, NE (US)

(\*) Notice: This patent is subject to a terminal disclaimer.

(\*\*) Term: **14 Years**

(21) Appl. No.: **29/269,445**

(22) Filed: **Nov. 30, 2006**

(51) **LOC (8) Cl.** ..... **23-01**

(52) **U.S. Cl.** ..... **D23/238**

(58) **Field of Classification Search** ..... D8/305,  
D8/310, 321, 322; 4/678, 677, 675; D23/238,  
D23/242, 243, 244, 245, 249, 250, 251  
See application file for complete search history.

(56) **References Cited**

U.S. PATENT DOCUMENTS

2,057,231	A *	10/1936	Dawson	.....	251/231
2,171,023	A	8/1939	Buxton		
2,188,216	A *	1/1940	Valentine	.....	251/156
3,707,404	A	12/1972	Carlson et al.		
3,765,455	A	10/1973	Countryman		
3,871,406	A	3/1975	Anderson		
4,084,620	A	4/1978	Bucknell et al.		

D313,464	S *	1/1991	Di Maggio	.....	D23/238
D319,865	S *	9/1991	Hardman	.....	D23/251
D354,336	S *	1/1995	Delabie et al.	.....	D23/238
D360,678	S *	7/1995	Mine	.....	D23/238
D385,015	S *	10/1997	Mawdsley	.....	D23/241
6,067,670	A	5/2000	Eddy et al.		
6,360,770	B1	3/2002	Buchner et al.		
6,775,866	B1	8/2004	Martir et al.		
6,918,400	B2	7/2005	Buchner et al.		

\* cited by examiner

*Primary Examiner*—Robert M. Spear

*Assistant Examiner*—Ania K Dworzecka

(74) *Attorney, Agent, or Firm*—Patterson, Thunte, Skaar & Christensen, P.A.

(57) **CLAIM**

I claim the ornamental design for sink fixture, as shown and described.

**DESCRIPTION**

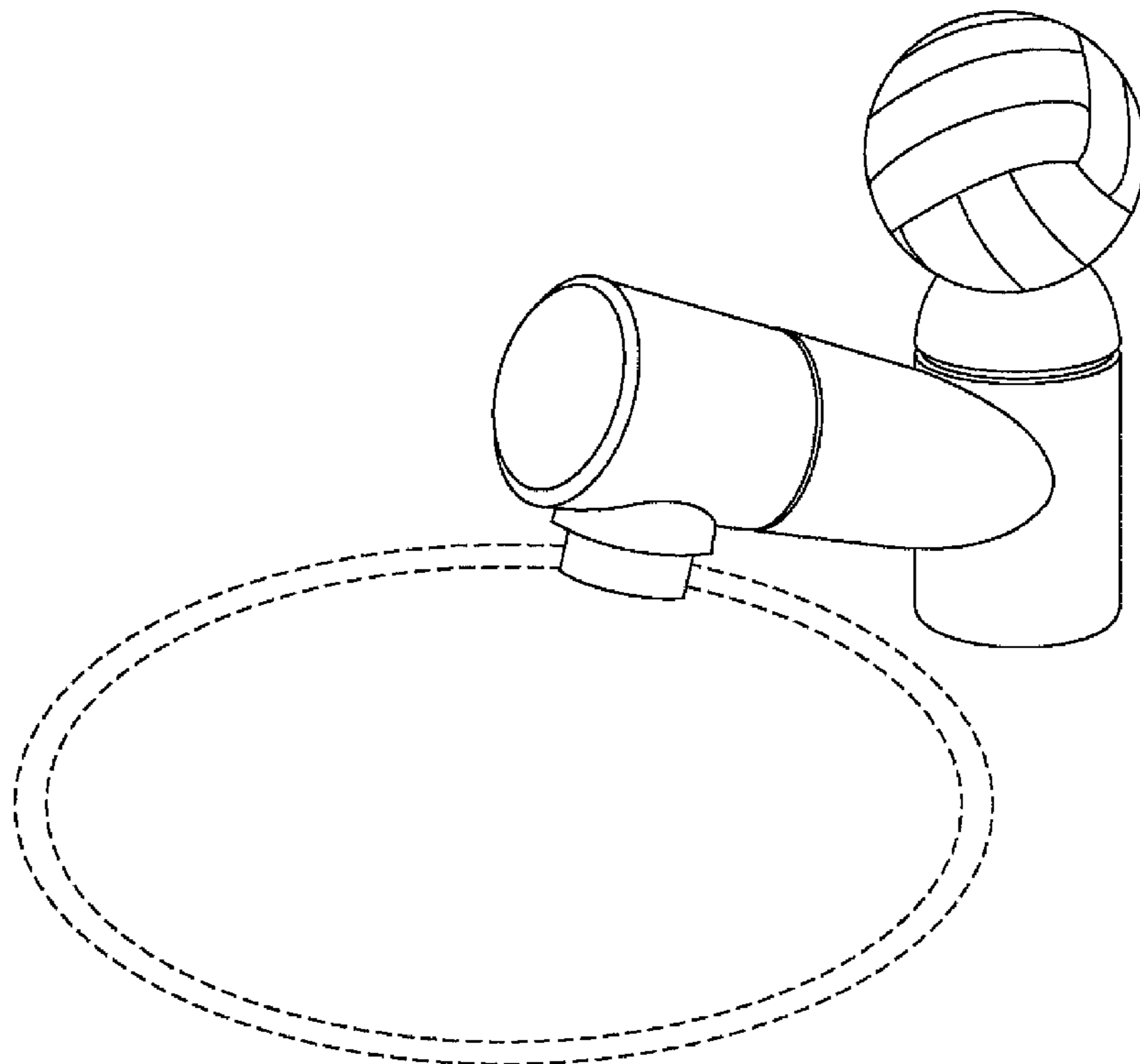
FIG. 1 is a front, perspective view of a sink fixture according to the invention;

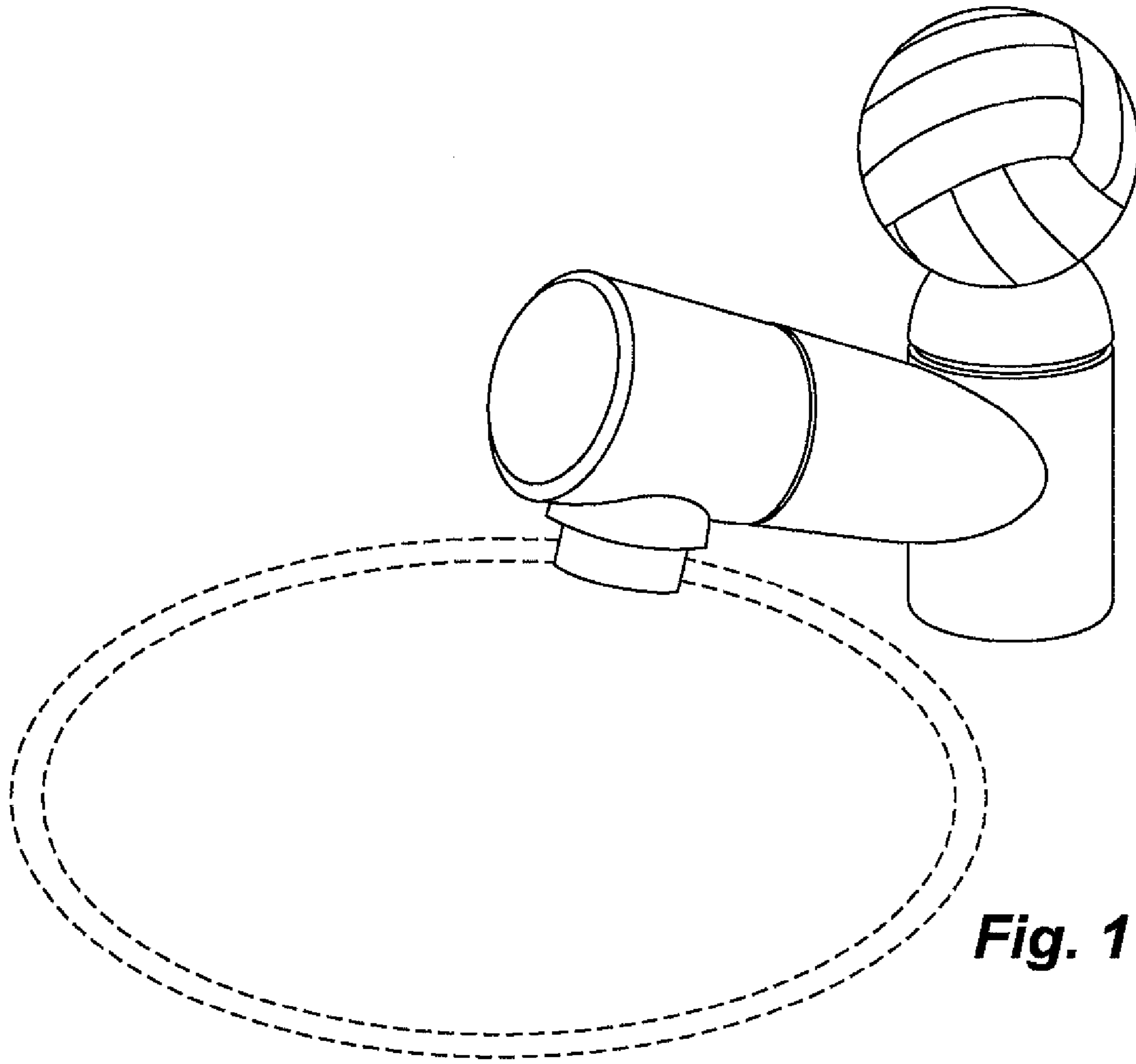
FIG. 2 is a top plan view of the sink fixture of FIG. 1; and,

FIG. 3 is a left side elevation view of the sink fixture of FIG. 1.

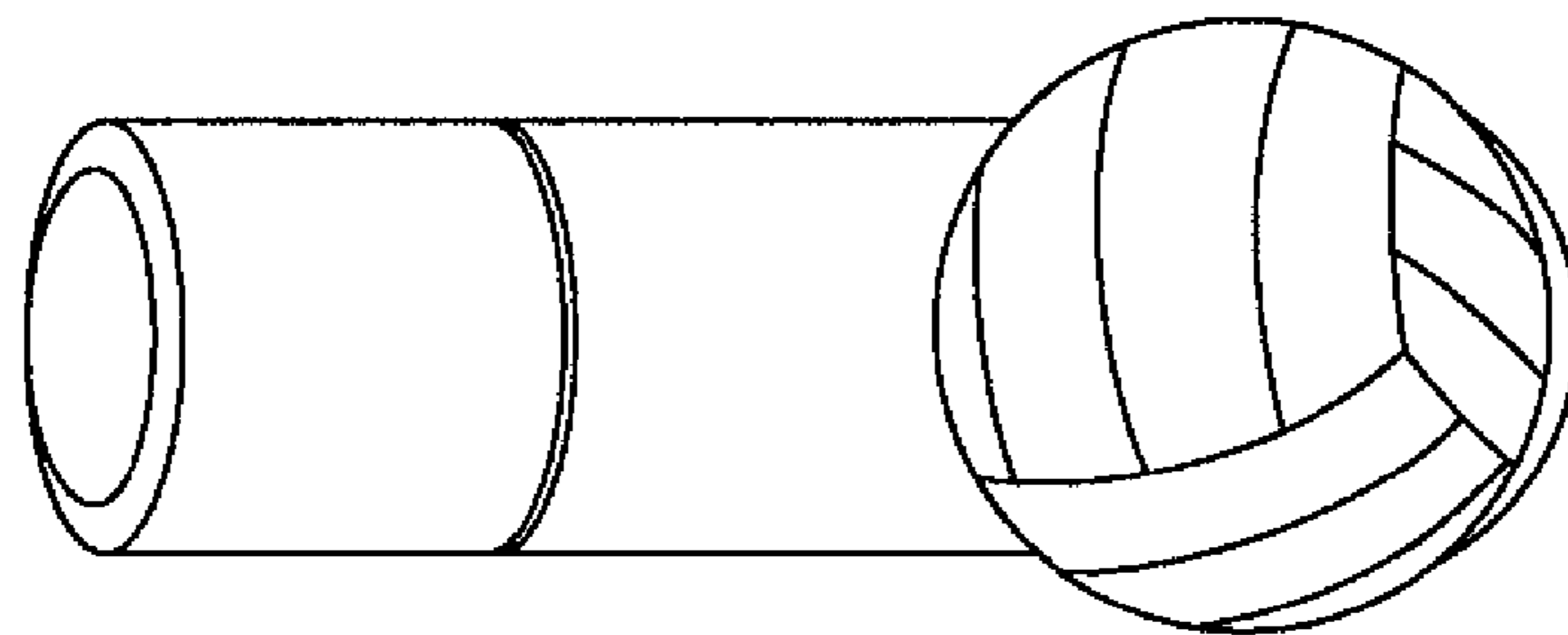
In the drawings, the broken lines depict environmental subject matter only and form no part of the claimed design.

**1 Claim, 2 Drawing Sheets**

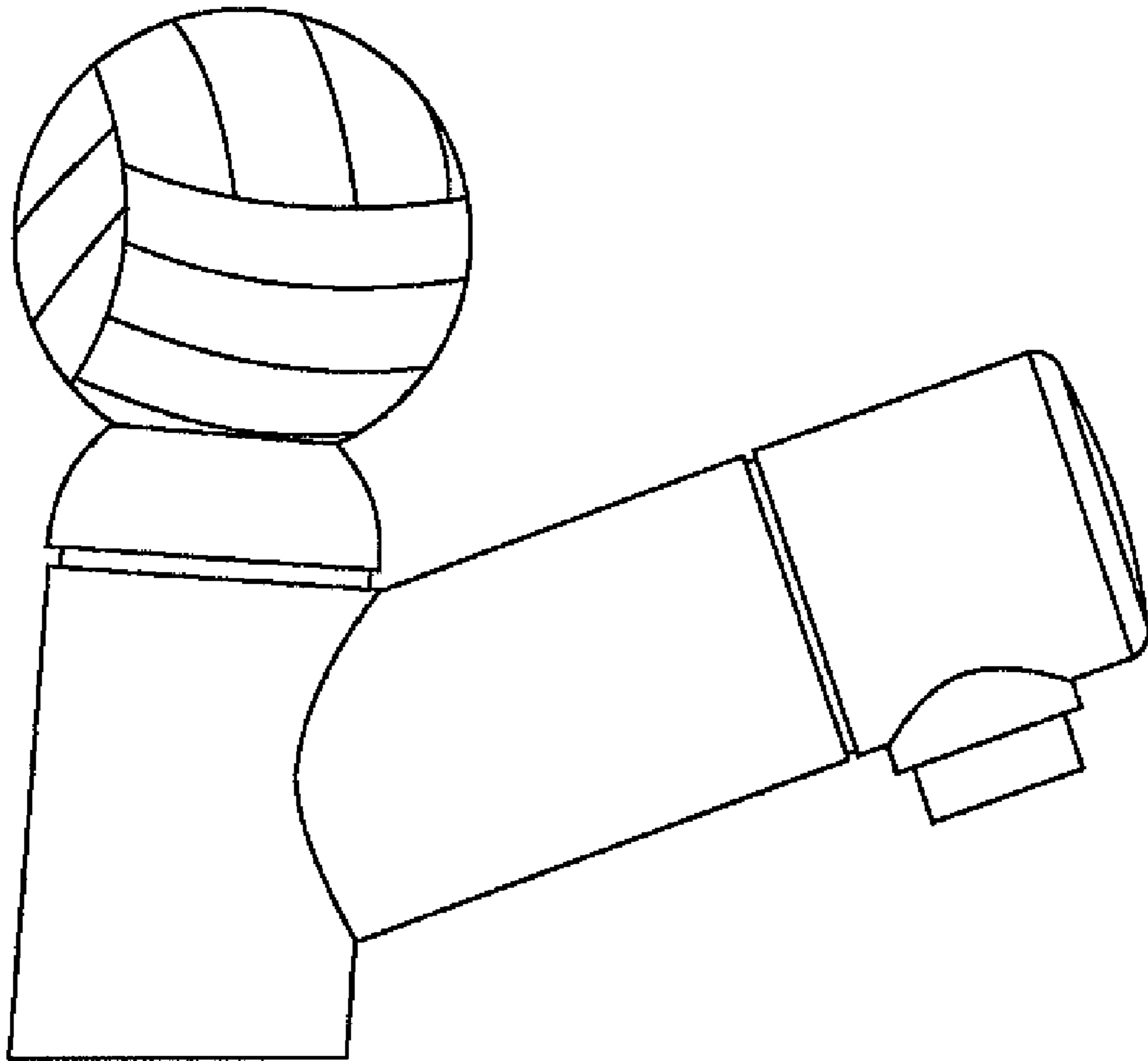




**Fig. 1**



**Fig. 2**



***Fig. 3***