

US00D570958S

(12) **United States Design Patent**
Lee

(10) **Patent No.:** **US D570,958 S**
(45) **Date of Patent:** **** Jun. 10, 2008**

(54) **SINK FIXTURE**

6,775,866 B1 8/2004 Martir et al.
6,918,400 B2 7/2005 Buchner et al.

(75) Inventor: **William A. Lee**, Wheaton, IL (US)

* cited by examiner

(73) Assignee: **Marcoll International Corp.**, Omaha, NE (US)

Primary Examiner—Robert M. Spear
Assistant Examiner—Ania K Dworzecka

(**) Term: **14 Years**

(74) *Attorney, Agent, or Firm*—Patterson, Thuente, Skaar & Christensen, P.A.

(21) Appl. No.: **29/269,444**

(57) **CLAIM**

(22) Filed: **Nov. 30, 2006**

I claim the ornamental design for sink fixture, as shown and described.

(51) **LOC (8) Cl.** **23-01**

(52) **U.S. Cl.** **D23/238**

(58) **Field of Classification Search** D8/305,
D8/310, 321, 322; 4/678, 677, 675; D23/238,
D23/242, 243, 244, 245, 249, 250, 251
See application file for complete search history.

DESCRIPTION

FIG. 1 is a front, right perspective view of a sink fixture showing my new design;

FIG. 2 is a front, left perspective view of the sink fixture in FIG. 1;

FIG. 3 is a left side elevation view of the sink fixture in FIG. 1;

FIG. 4 is a top plan view of the sink fixture in FIG. 1; and, FIG. 5 is a bottom plan view of the sink fixture in FIG. 1.

The lines depicted as “———” represents an environmental sink basin structure forming no part of the claimed design.

In the drawings, the broken lines depict environmental subject matter only and form no part of the claimed design.

(56) **References Cited**

U.S. PATENT DOCUMENTS

2,171,023	A	8/1939	Buxton	
3,707,404	A	12/1972	Carlson et al.	
3,765,455	A	10/1973	Countryman	
3,871,406	A	3/1975	Anderson	
4,084,620	A	4/1978	Bucknell et al.	
D356,632	S *	3/1995	Wang	D23/256
D356,856	S *	3/1995	Wang	D23/241
6,067,670	A	5/2000	Eddy et al.	
6,360,770	B1	3/2002	Buchner et al.	

1 Claim, 4 Drawing Sheets



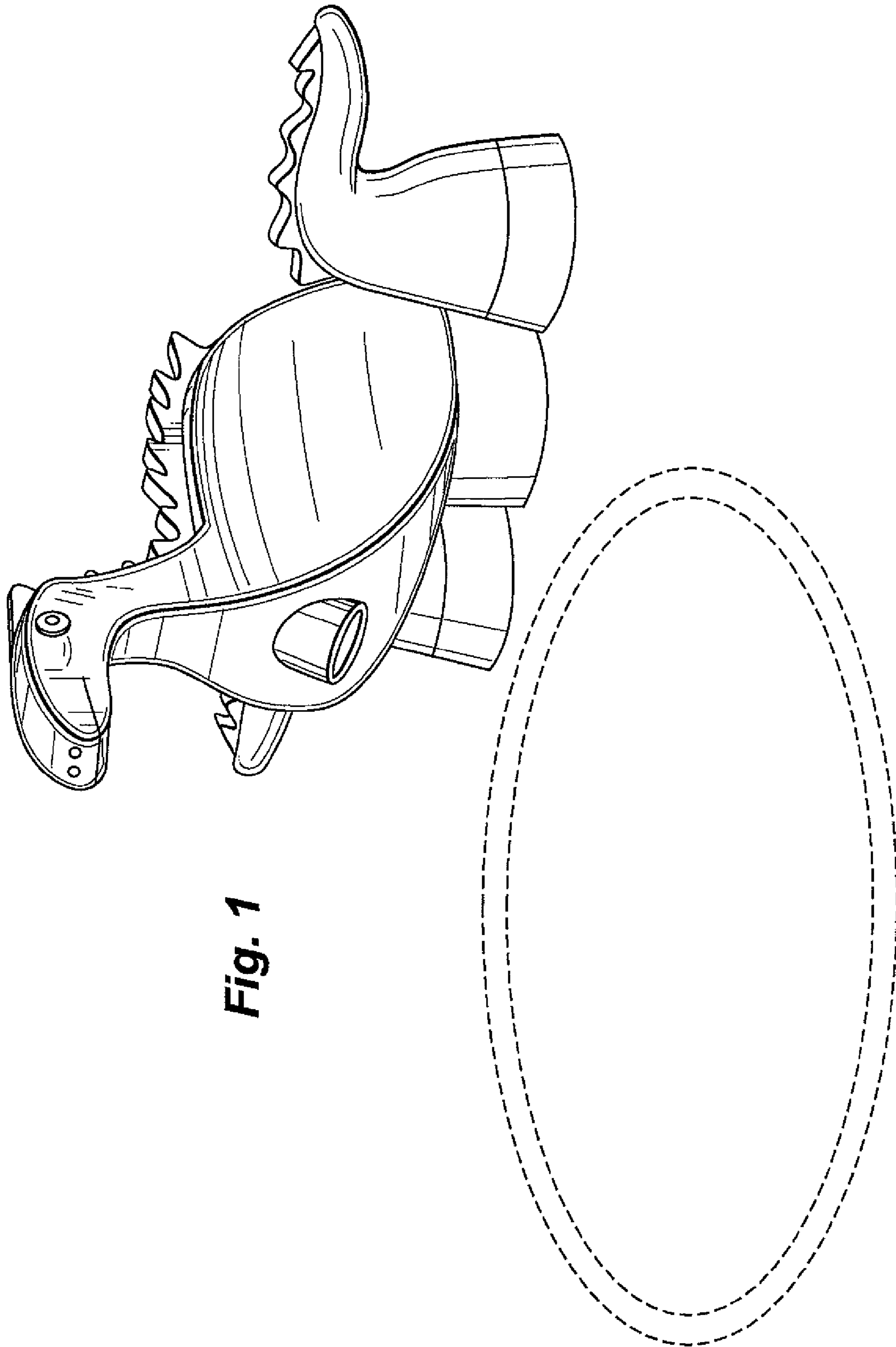
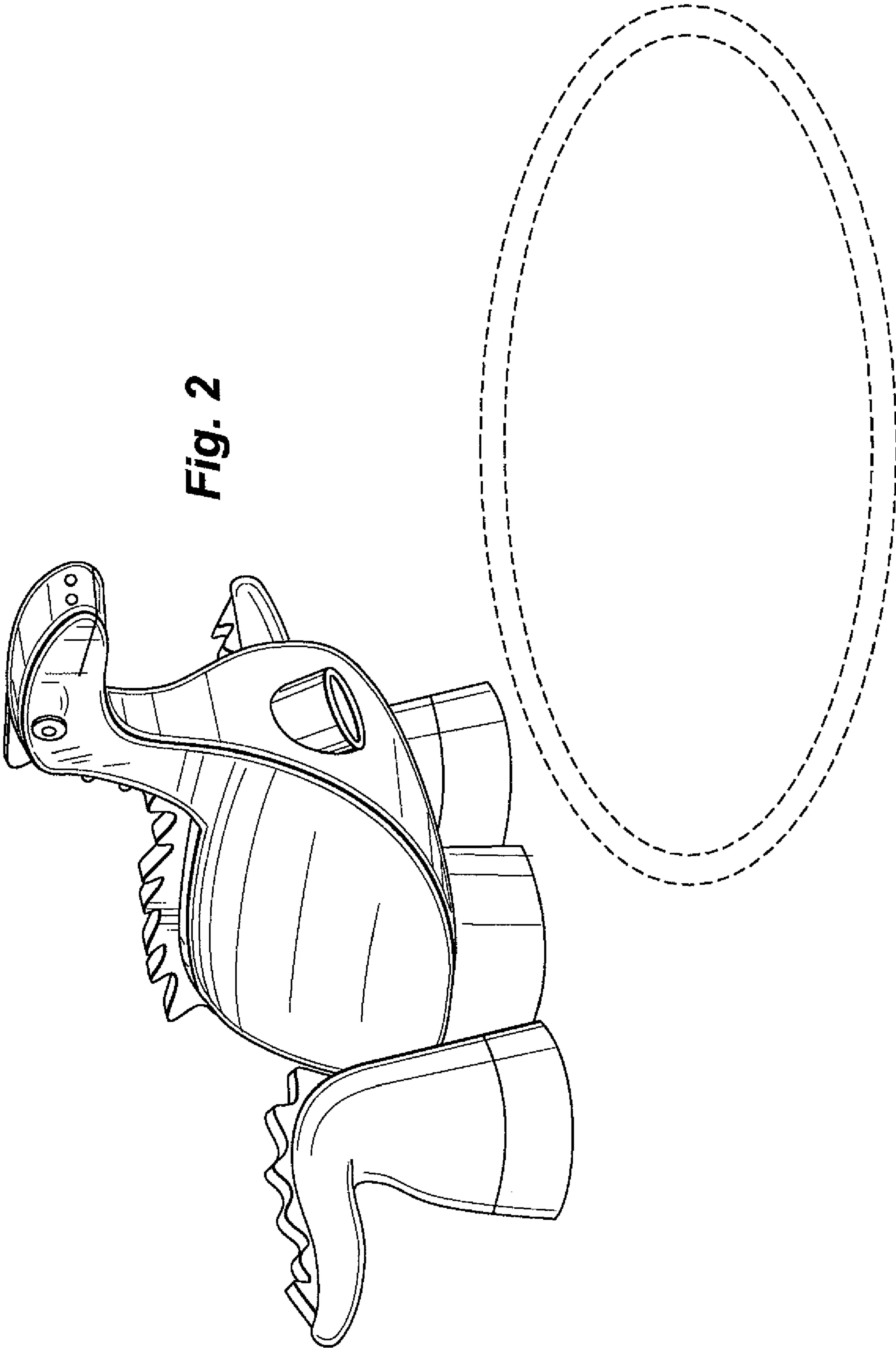


Fig. 1

Fig. 2



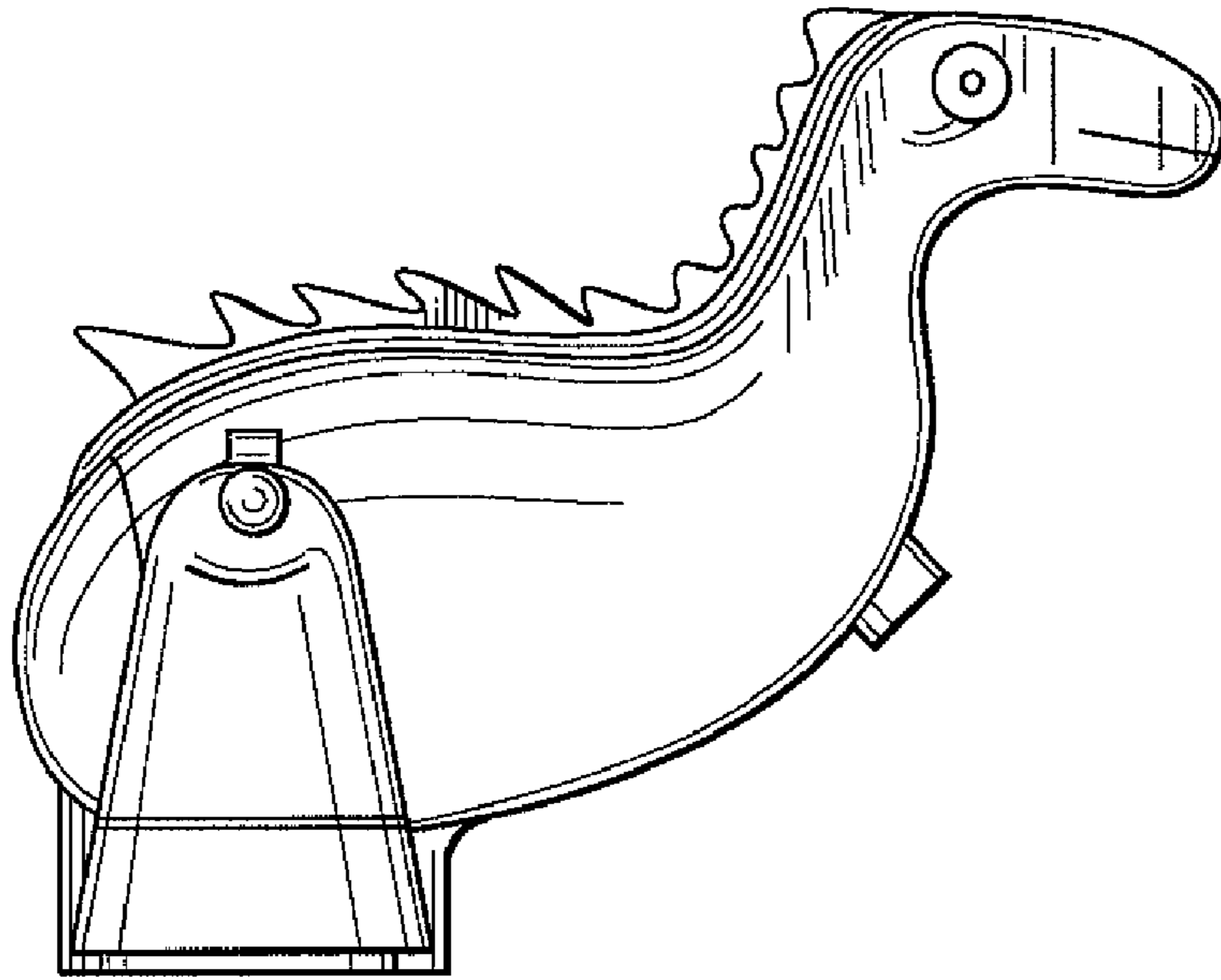


Fig. 3

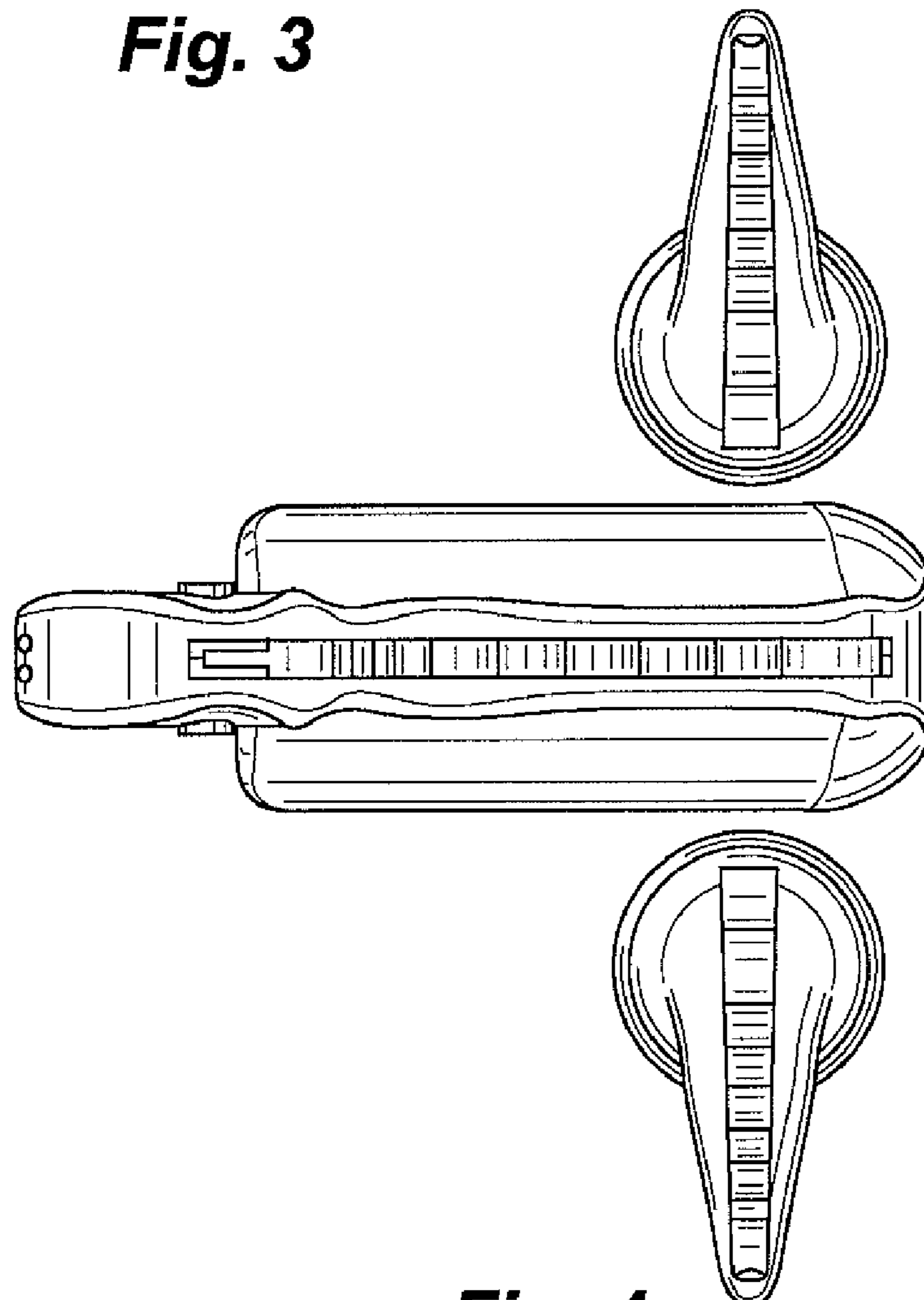


Fig. 4

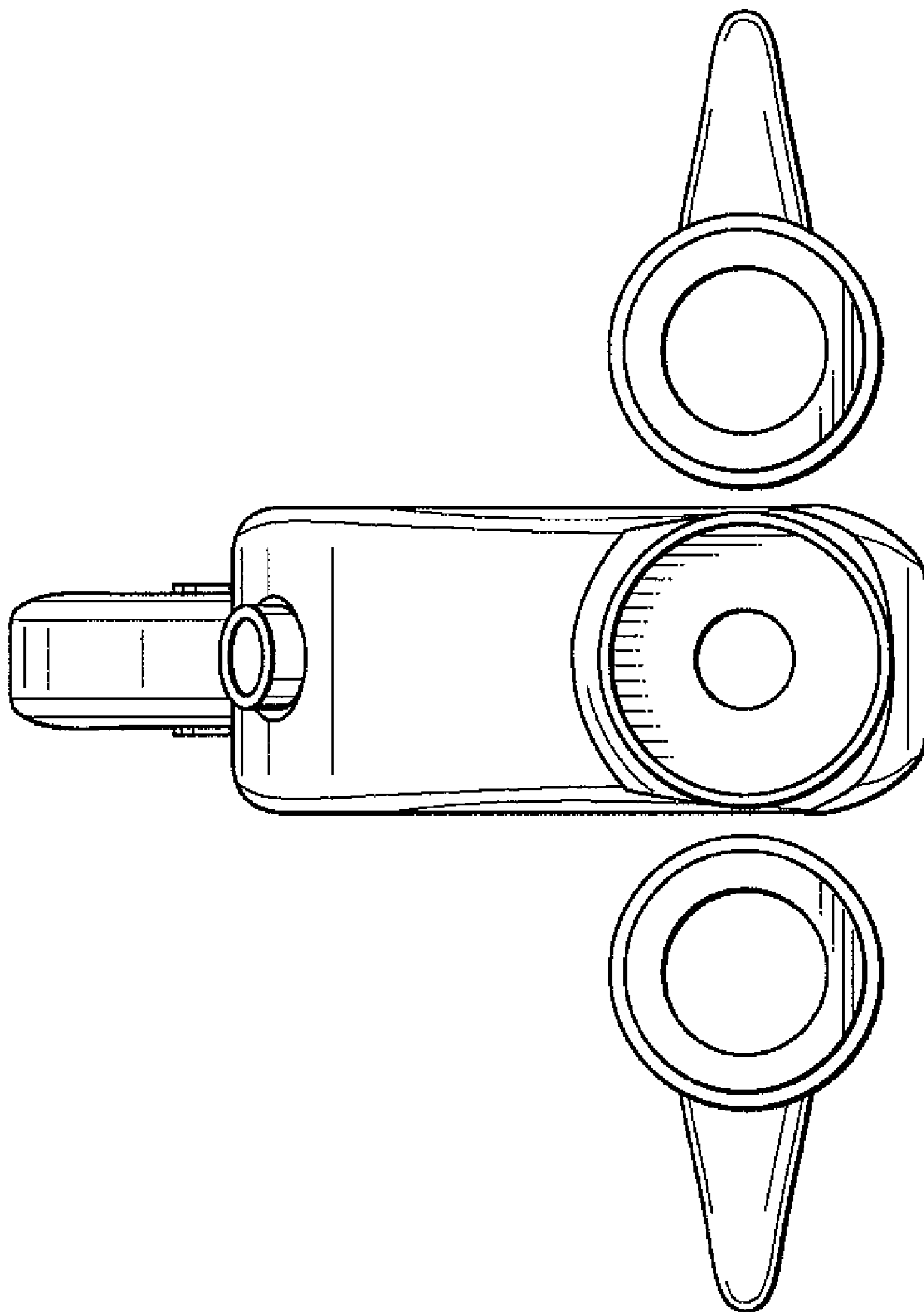


Fig. 5