

US00D570954S

(12) **United States Design Patent**
Franson et al.

(10) **Patent No.: US D570,954 S**
(45) **Date of Patent: ** Jun. 10, 2008**

(54) **FLOW SHAPER FOR SPRINKLER ASSEMBLY**

(75) Inventors: **Scott T. Franson**, Hastings, MI (US);
Thomas E. Winebrenner, Hastings, MI (US);
Shawn G. Orr, Grand Rapids, MI (US);
Lindsay M. Barker, Delton, MI (US)

(73) Assignee: **The Viking Corporation**, Hastings, MI (US)

(**) Term: **14 Years**

(21) Appl. No.: **29/280,631**

(22) Filed: **Jun. 4, 2007**

Related U.S. Application Data

(62) Division of application No. 29/257,159, filed on Mar. 30, 2006, now Pat. No. Des. 550,807.

(51) **LOC (8) Cl.** **23-01**

(52) **U.S. Cl.** **D23/213; D23/214**

(58) **Field of Classification Search** **D23/213, D23/214; 239/502; 169/37, 38, 39**
See application file for complete search history.

(56) **References Cited**

U.S. PATENT DOCUMENTS

990,780 A 4/1911 Rockwood

1,273,818 A * 7/1918 Buffum 169/39
3,599,723 A * 8/1971 Vorkapich 169/39
D253,364 S * 11/1979 McFadden D23/214
D287,992 S * 1/1987 McLennan et al. D23/214
D303,138 S * 8/1989 Smith D23/214
D516,669 S * 3/2006 Antonucci et al. D23/214

* cited by examiner

Primary Examiner—Robin V Webster

(74) *Attorney, Agent, or Firm*—Harness, Dickey & Pierce, P.L.C.

(57) **CLAIM**

The ornamental design for a flow shaper for sprinkler assembly, as shown and described.

DESCRIPTION

FIG. 1 is a perspective view of a flow shaper for sprinkler assembly;

FIG. 2 is a top plan view thereof;

FIG. 3 is a front view thereof;

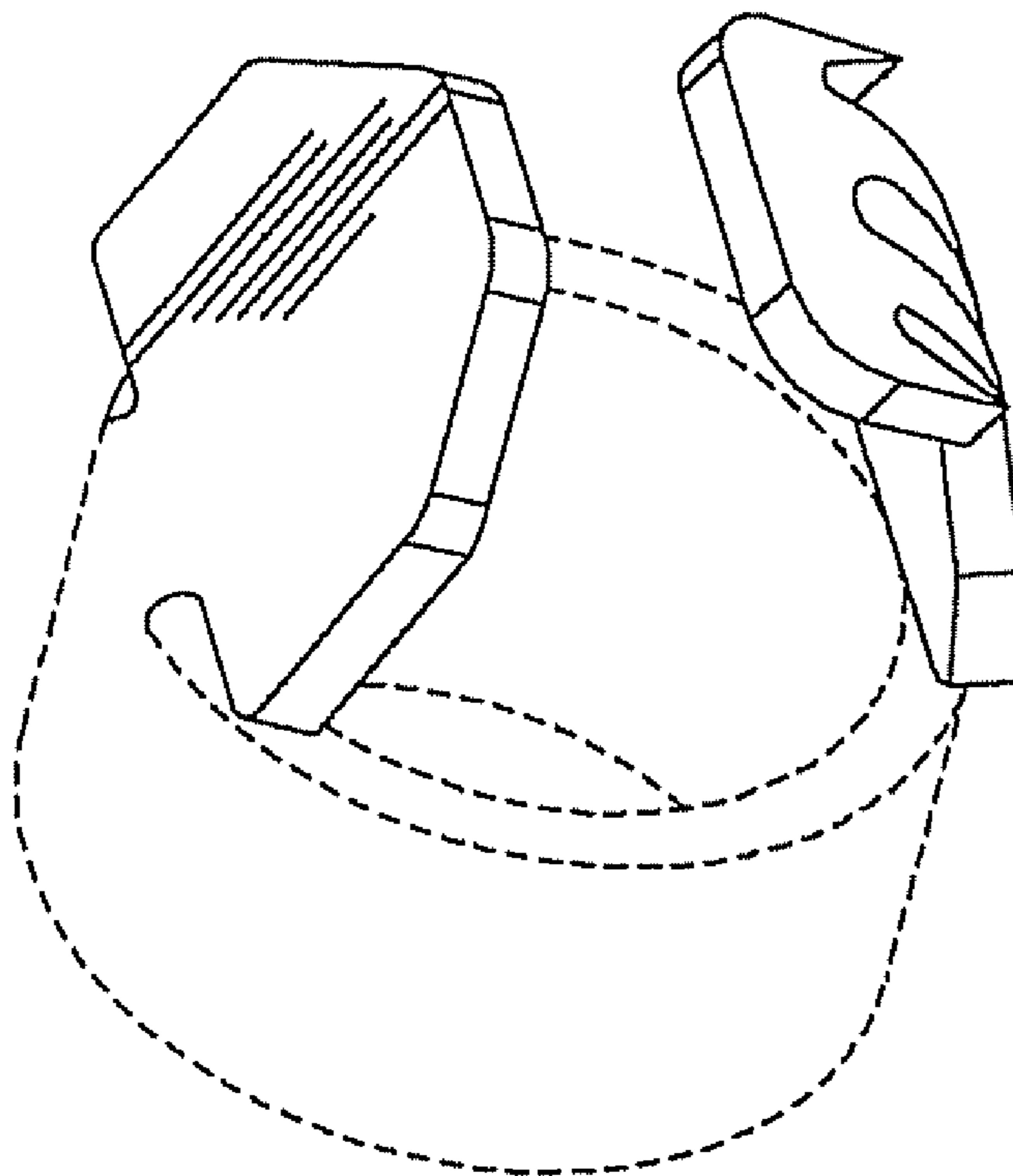
FIG. 4 is a right side view thereof;

FIG. 5 is a rear side view thereof; and,

FIG. 6 is a left side view thereof.

The lines shown in phantom are for illustrative purposes only and do not form part of the invention.

1 Claim, 1 Drawing Sheet



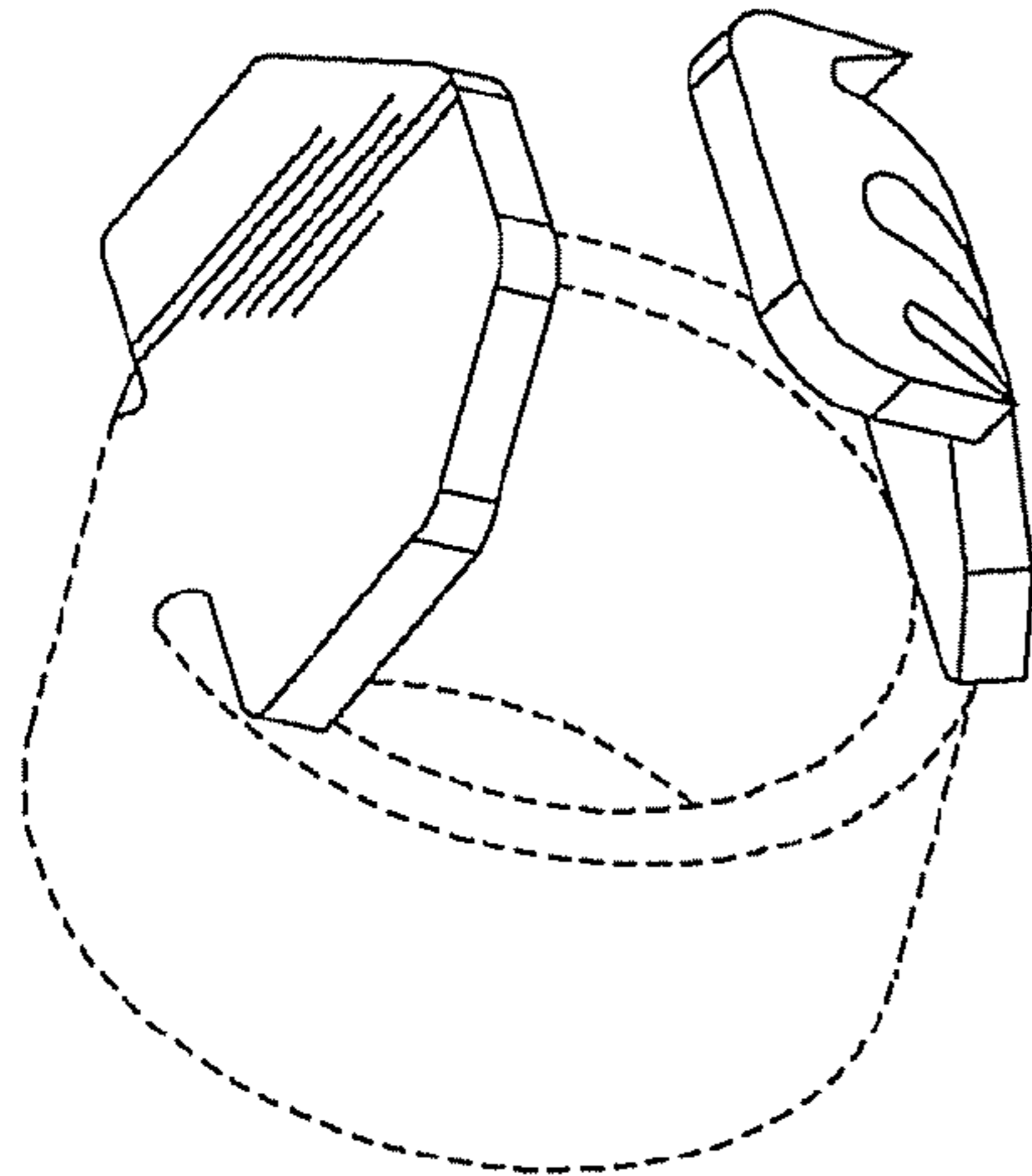


FIG 1

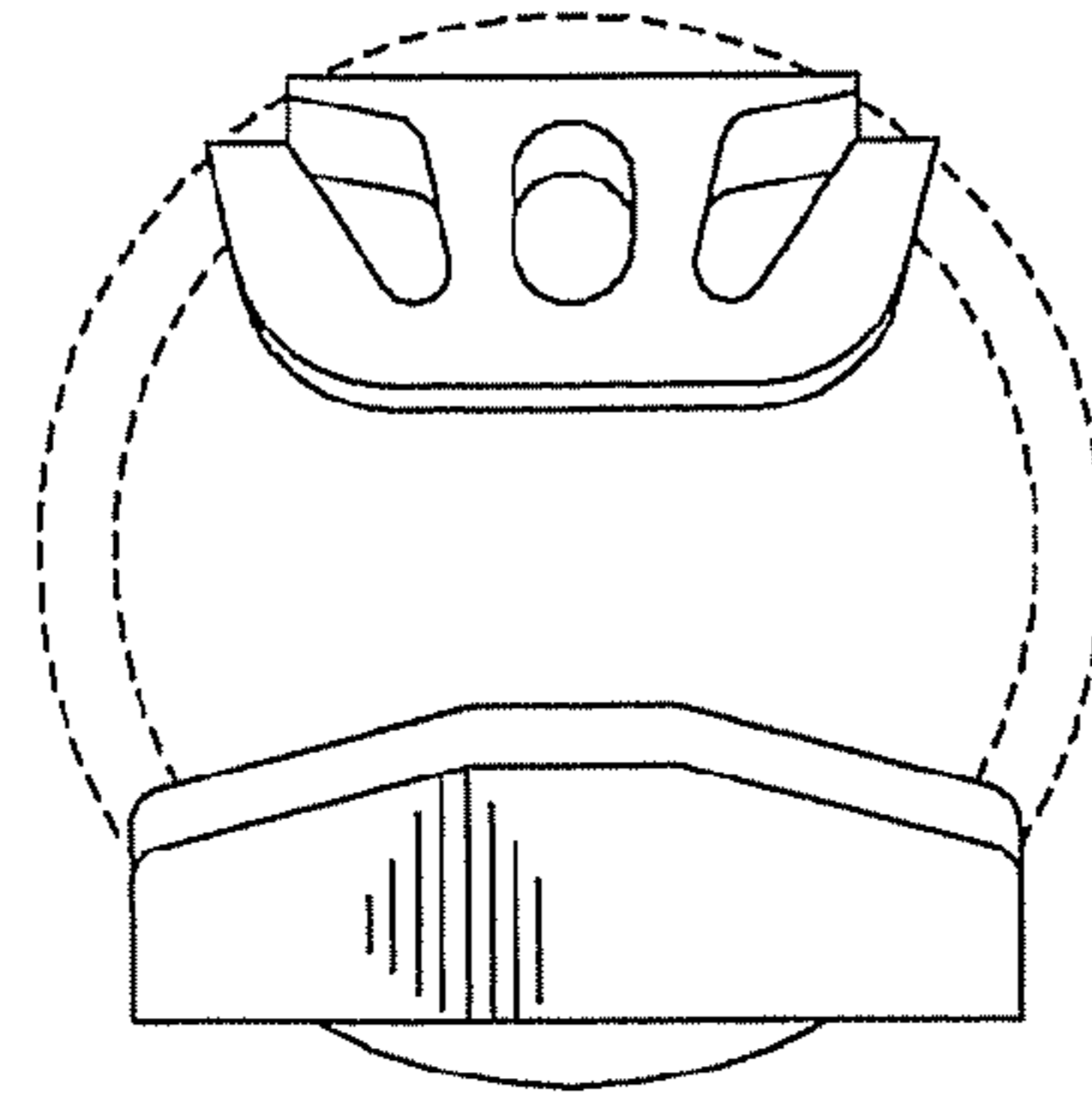


FIG 2

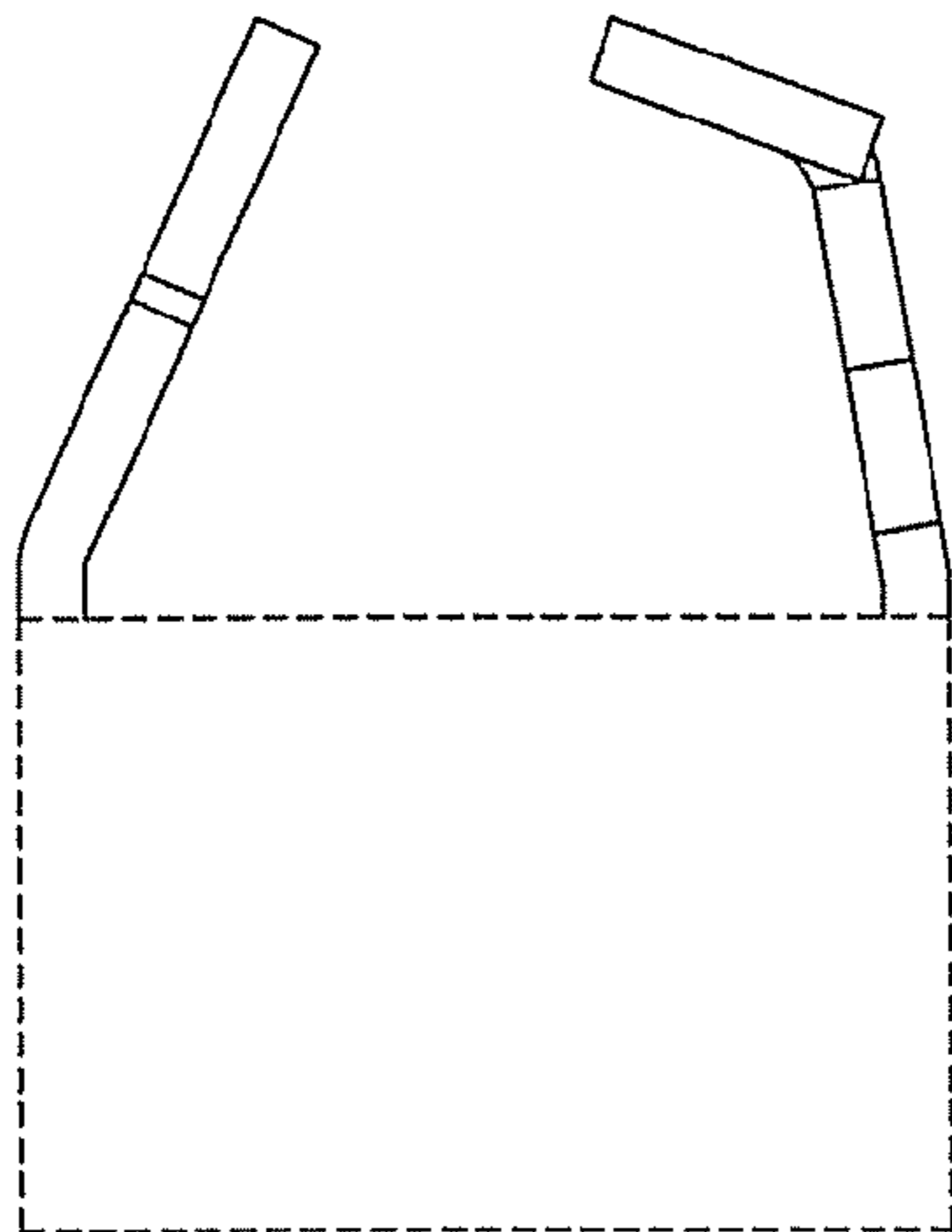


FIG 3

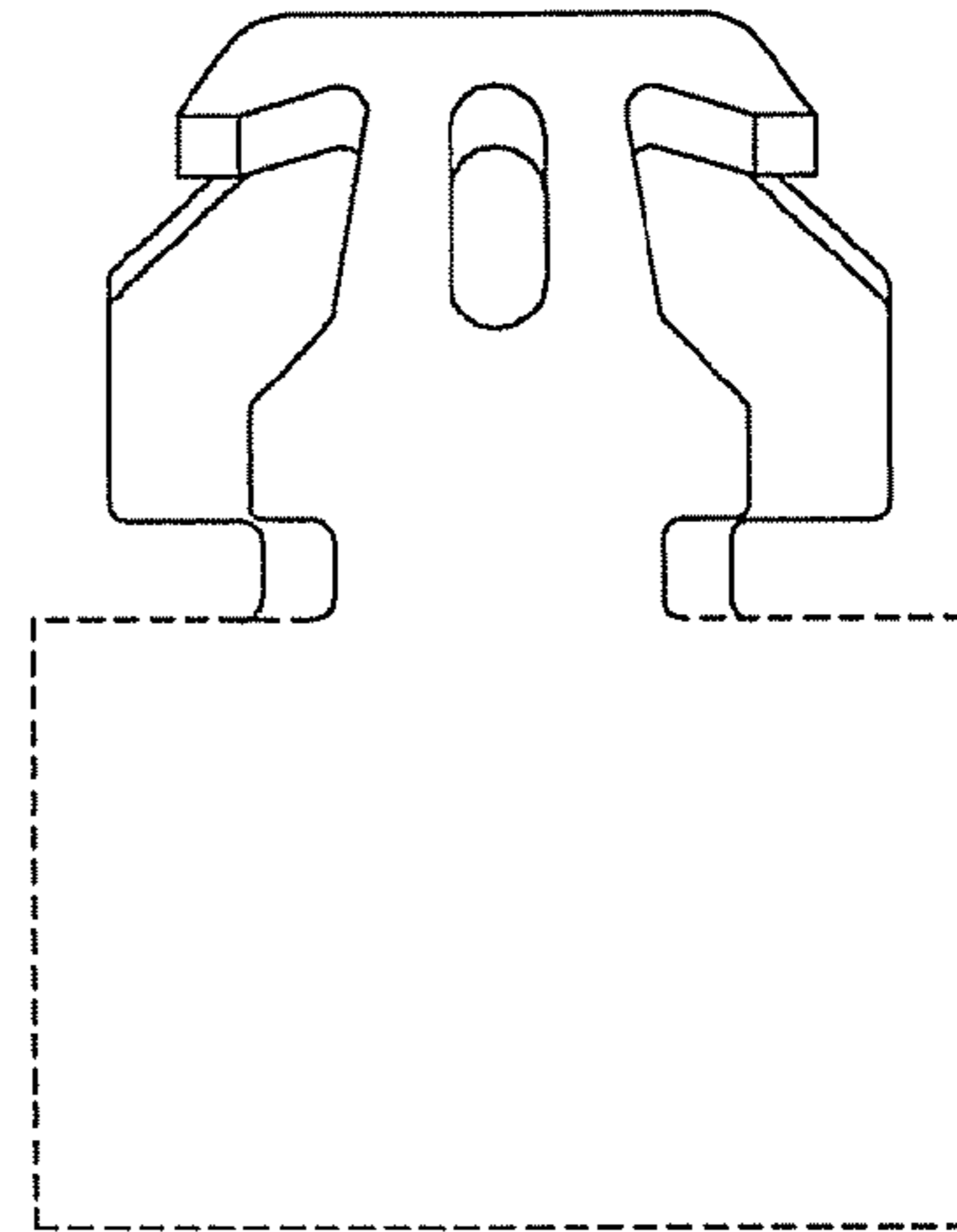


FIG 4

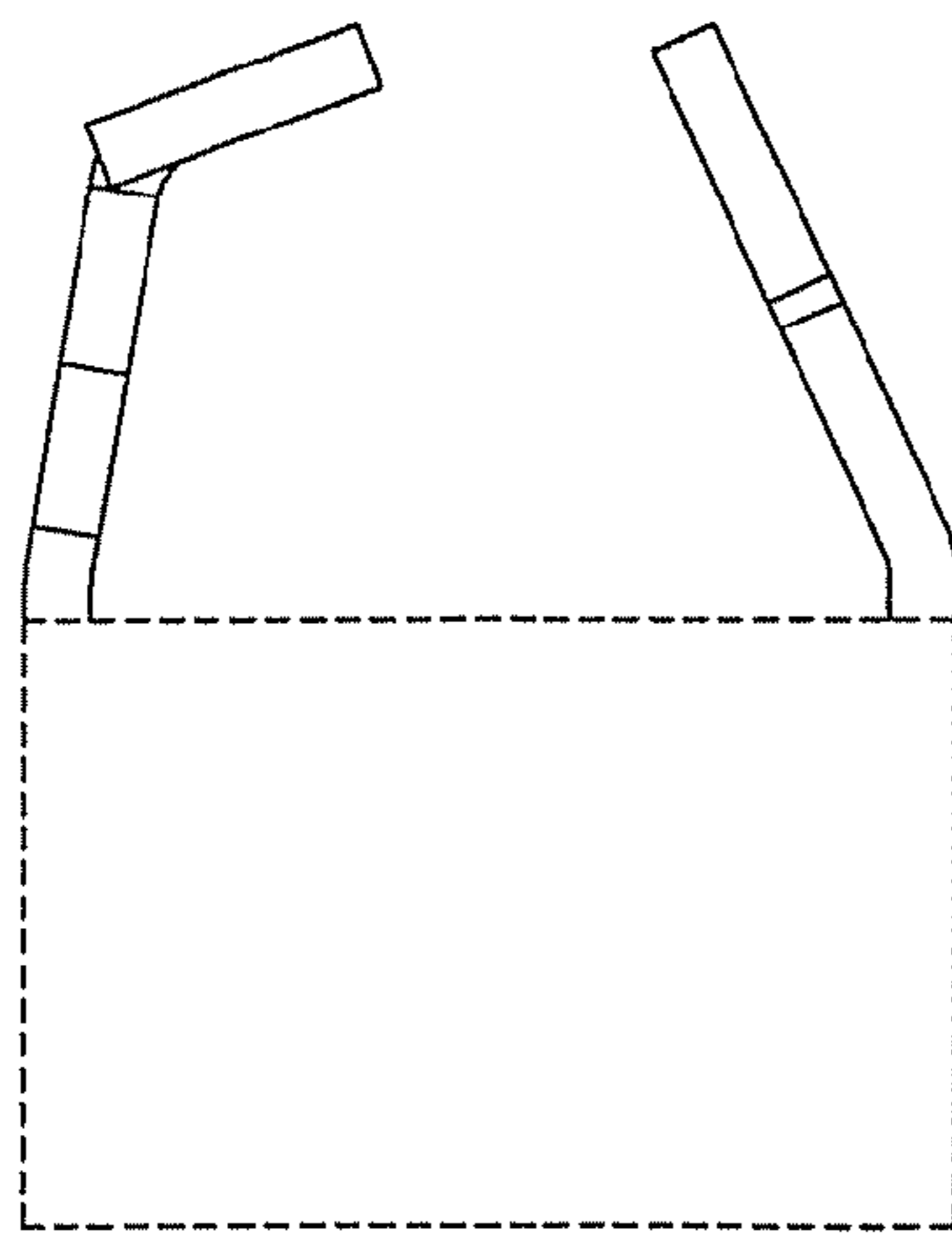


FIG 5

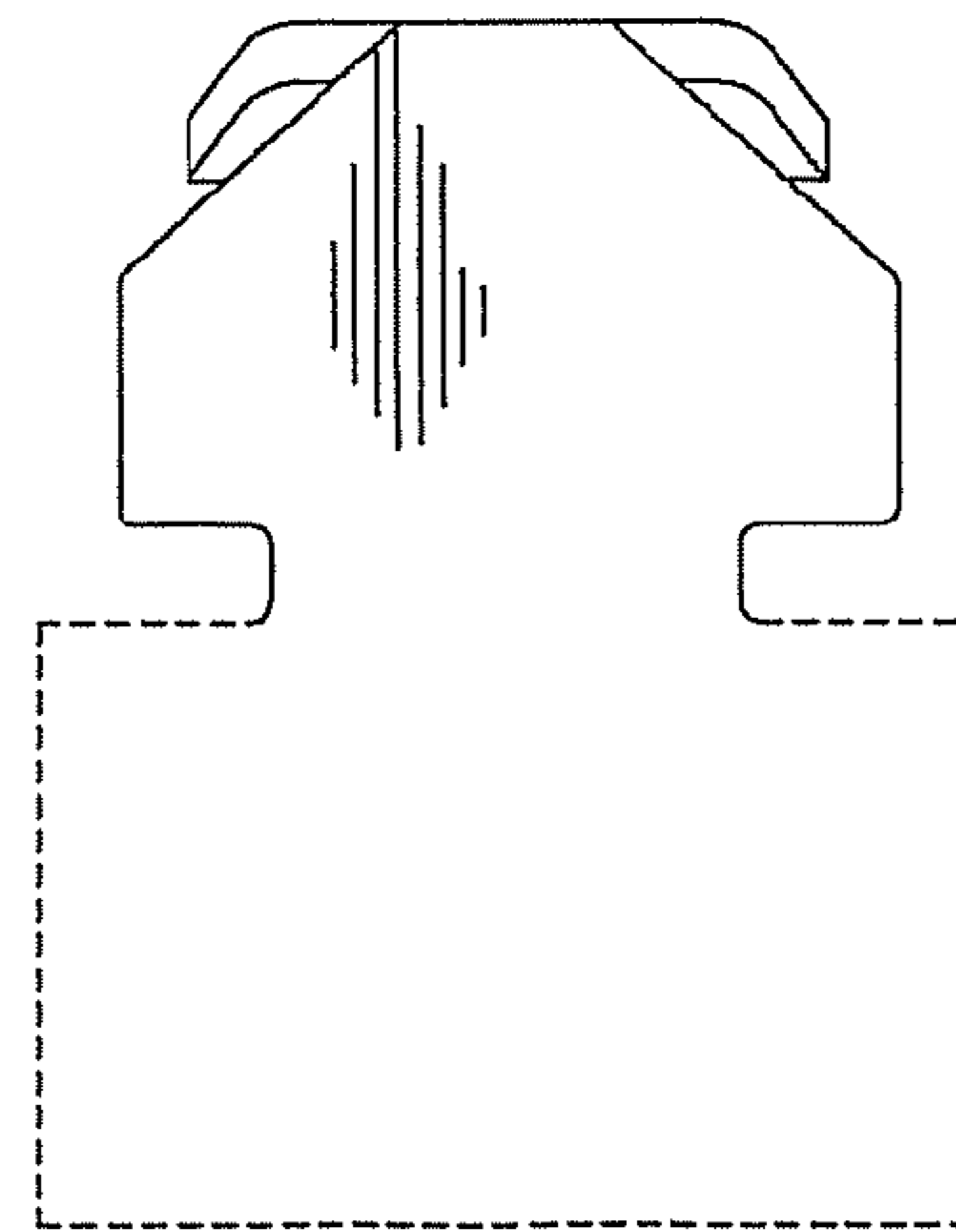


FIG 6