



US00D570953S

(12) **United States Design Patent**
Patterson et al.

(10) **Patent No.: US D570,953 S**
(45) **Date of Patent: ** Jun. 10, 2008**

(54) **NOZZLE SLEEVE OF A NOZZLE ASSEMBLY FOR CLEANING HEAT EXCHANGER TUBES**

D520,106 S * 5/2006 Jones et al. D23/213
D520,107 S 5/2006 Jones et al. D23/213

(76) Inventors: **Daniel R. Patterson**, 612 Delaware Ave., Oakmont, PA (US) 15139;
Jeremy A. Watt, 112 Avenue A, Pittsburgh, PA (US) 15221

* cited by examiner

Primary Examiner—Robin V Webster
(74) *Attorney, Agent, or Firm*—Kratz, Quintos & Hanson, LLP

(**) Term: **14 Years**

(57) **CLAIM**

(21) Appl. No.: **29/272,956**

The ornamental design for a nozzle sleeve of a nozzle assembly for cleaning heat exchanger tubes, as shown and described.

(22) Filed: **Feb. 22, 2007**

(51) **LOC (8) Cl. 23-01**

(52) **U.S. Cl. D23/213**

(58) **Field of Classification Search** D23/213;
15/406; 165/95
See application file for complete search history.

DESCRIPTION

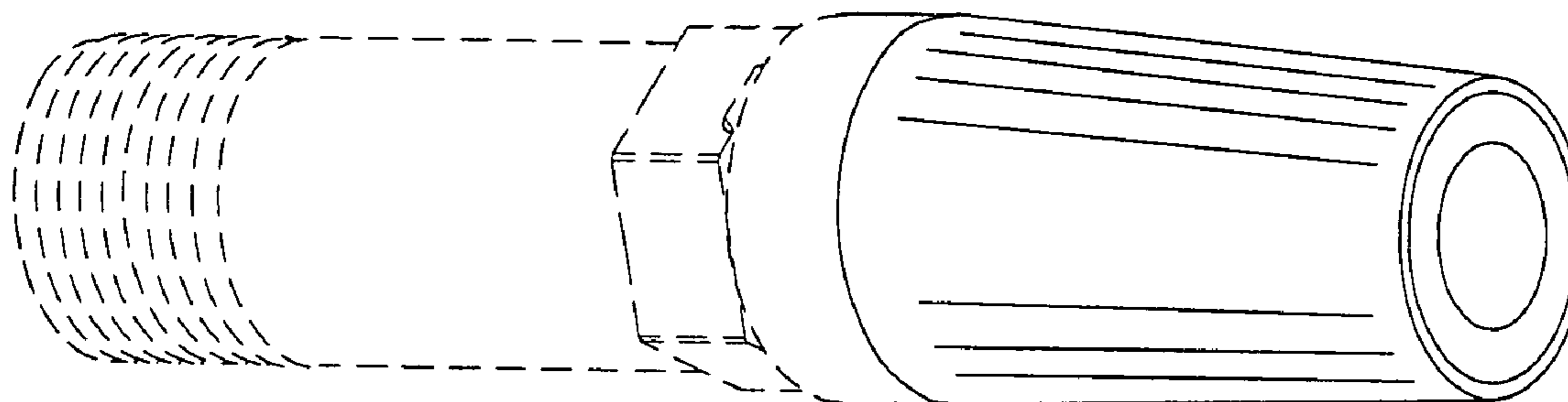
FIG. 1 is a perspective view of a nozzle sleeve of a nozzle assembly for cleaning heat exchanger tubes of the invention; FIG. 2 is a front elevational view of the invention; FIG. 3 is a rear view of the invention; FIG. 4 is a right end view of the invention as shown in FIG. 2; FIG. 5 is a left end view of the invention as shown in FIG. 2; and, FIG. 6 is a perspective view of the invention, the broken line showing of a nozzle core is for illustrative purposes only and forms no part of the claimed design.

(56) **References Cited**

U.S. PATENT DOCUMENTS

1,022,974	A *	4/1912	Sargeant	15/406
3,263,934	A *	8/1966	Hope, Jr. et al.	239/556
3,934,303	A *	1/1976	Neithercutt	15/406
4,643,248	A	2/1987	Voith et al.	165/95
5,448,795	A	9/1995	Boughal	15/406
D391,349	S *	2/1998	Chih	D23/229
5,836,522	A *	11/1998	Przystawik	239/588
5,862,568	A *	1/1999	Sjoberg	15/304
6,609,531	B2	8/2003	Lesko	134/169

1 Claim, 2 Drawing Sheets



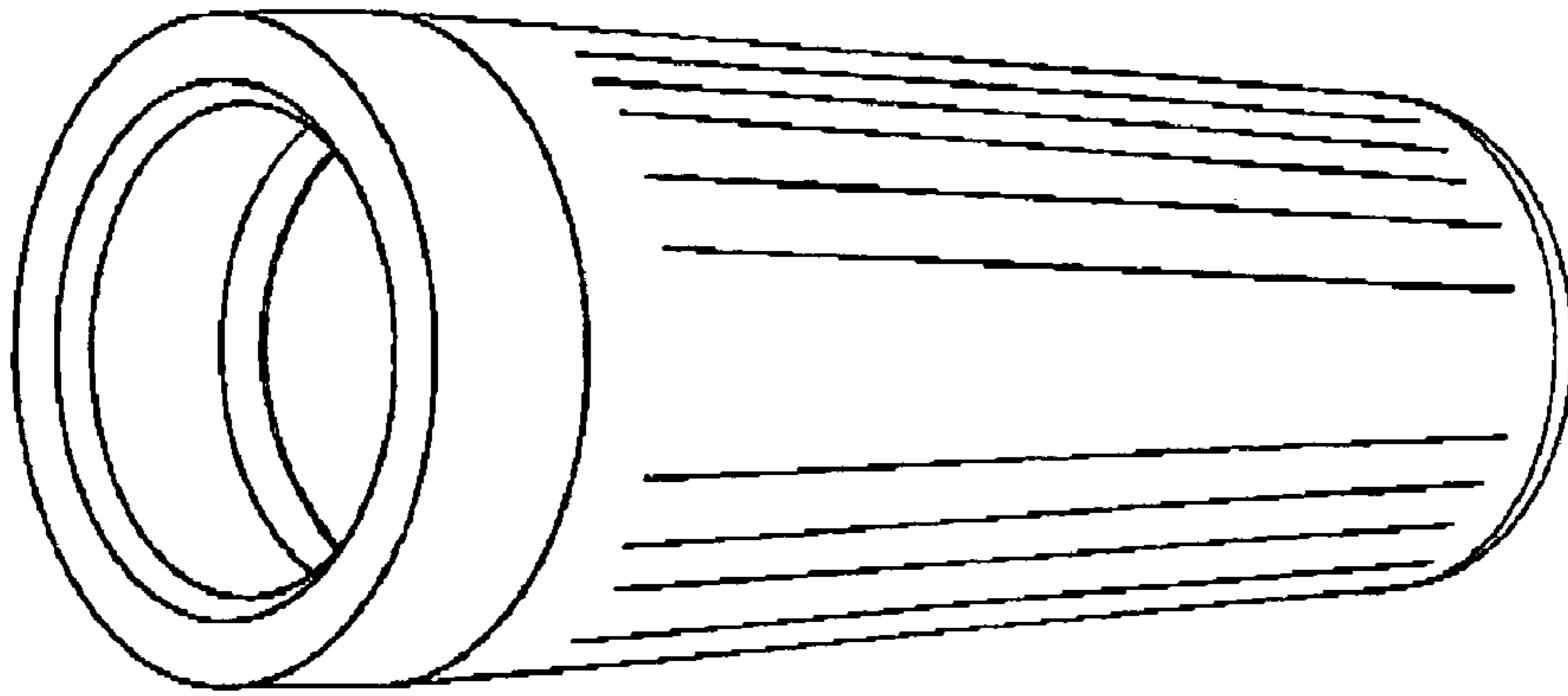


FIG. 1



FIG. 2



FIG. 3

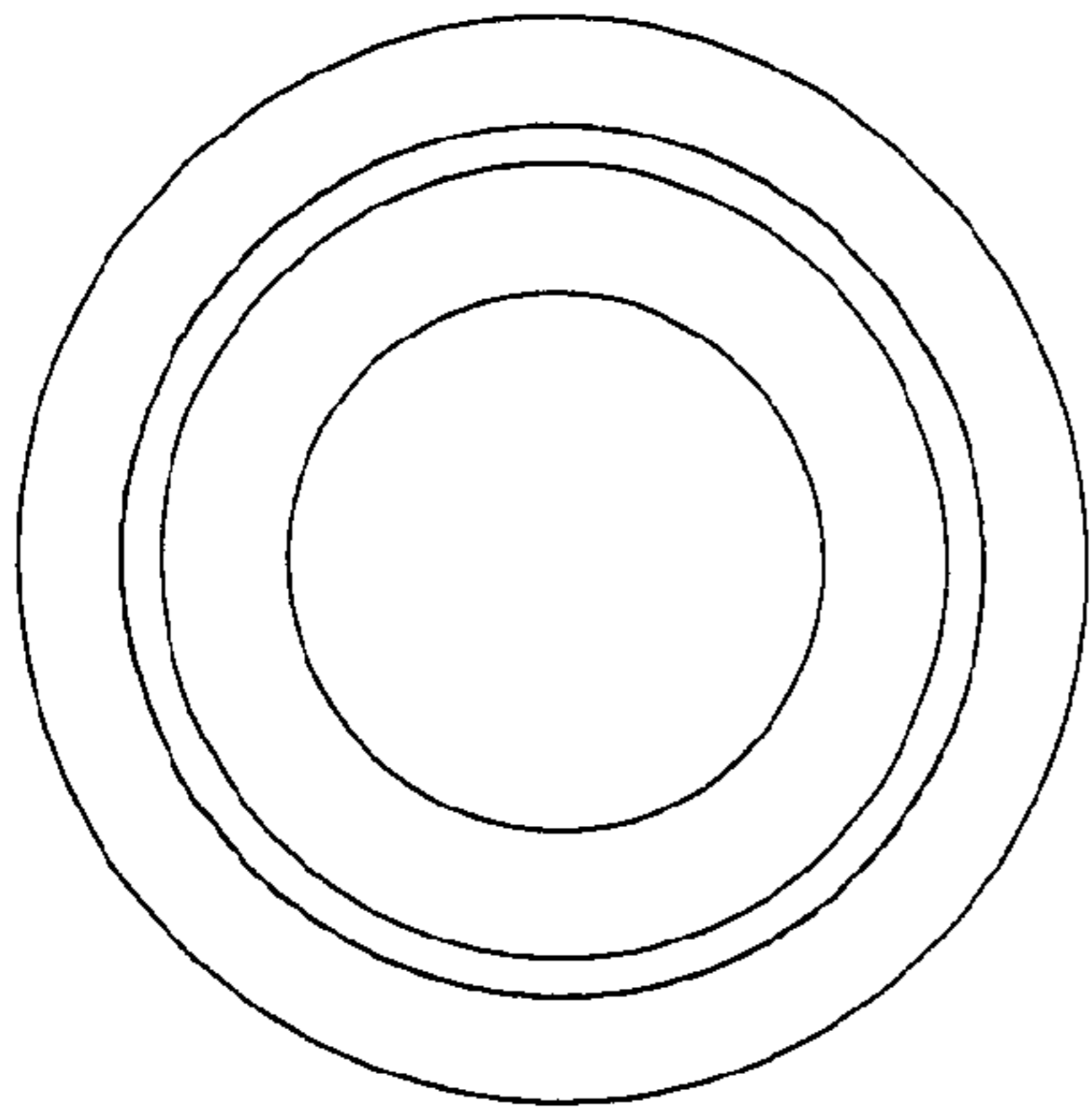


FIG. 4

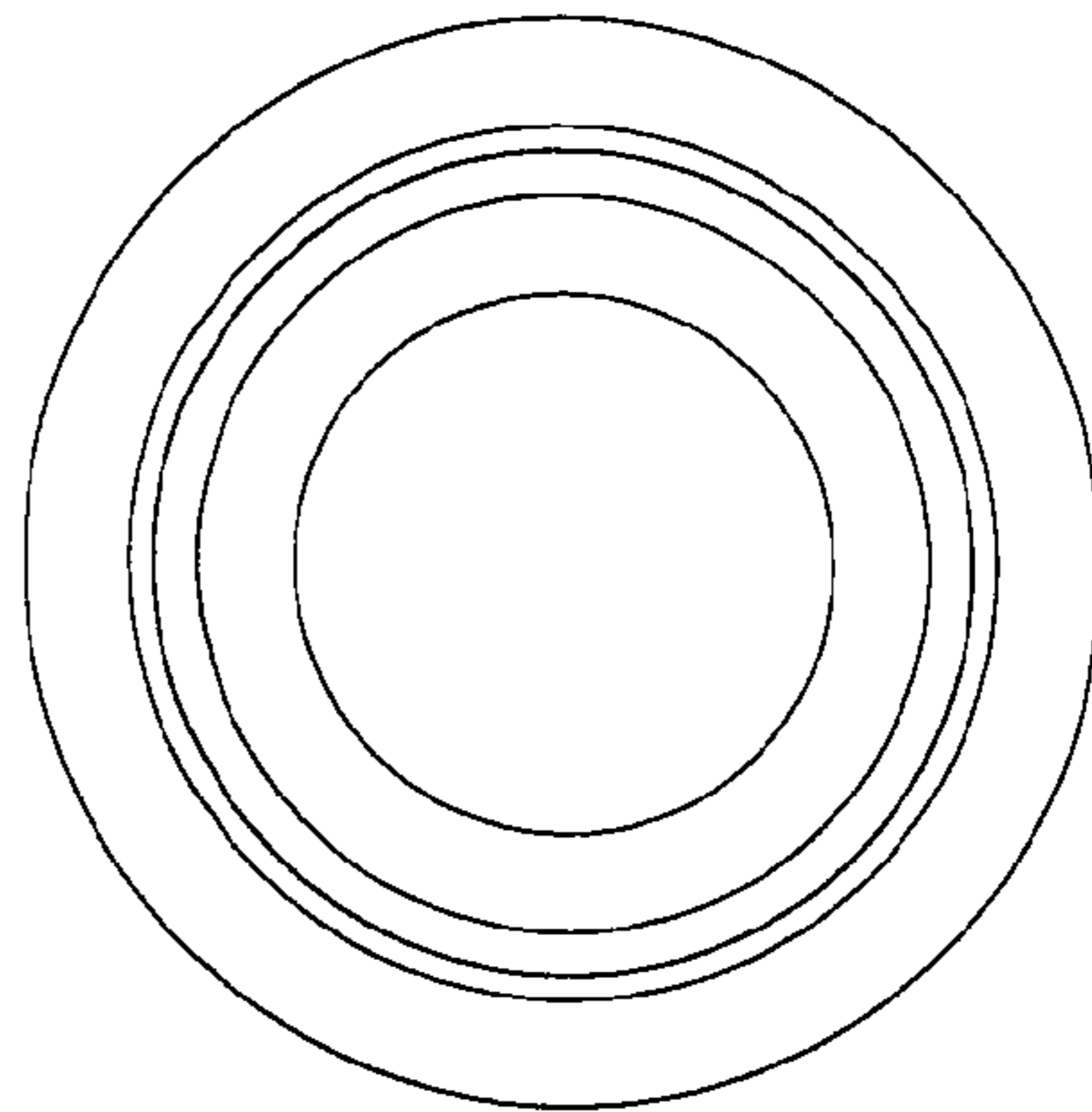


FIG. 5

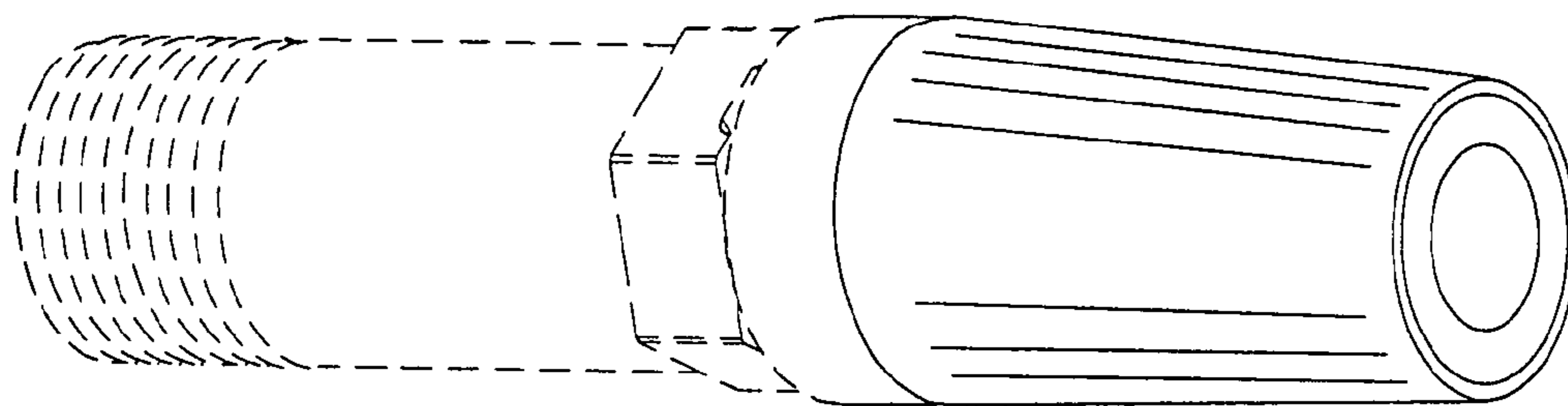


FIG. 6

UNITED STATES PATENT AND TRADEMARK OFFICE
CERTIFICATE OF CORRECTION

PATENT NO. : Des. 570,953 S
APPLICATION NO. : 29/272956
DATED : June 10, 2008
INVENTOR(S) : Daniel R. Patterson and Jeremy A. Watt

Page 1 of 1

It is certified that error appears in the above-identified patent and that said Letters Patent is hereby corrected as shown below:

Title Page, insert Item (73) Assignee to Read:
Assignee: Conco Systems, Inc., Verona, PA (US)

Signed and Sealed this

Second Day of September, 2008

A handwritten signature in black ink that reads "Jon W. Dudas". The signature is written in a cursive style with a large, looped initial "J".

JON W. DUDAS

Director of the United States Patent and Trademark Office