



US00D570951S

(12) **United States Design Patent**
Morita et al.

(10) **Patent No.:** **US D570,951 S**
(45) **Date of Patent:** **** Jun. 10, 2008**

(54) **CARTRIDGE FOR WATER PURIFIER**

(75) Inventors: **Shikoh Morita**, Shinjuku-ku (JP);
Noboru Odamaki, Chuo-ku (JP); **Ken
Gotou**, Chuo-ku (JP); **Tsuyoshi Doi**,
Chuo-ku (JP); **Takeshi Ishikawa**,
Toyohashi (JP)

(73) Assignee: **MRC Home Products Co., Ltd.**,
Tokyo (JP)

(**) Term: **14 Years**

(21) Appl. No.: **29/280,458**

(22) Filed: **May 29, 2007**

(30) **Foreign Application Priority Data**

Nov. 28, 2006 (JP) 2006-032566

(51) **LOC (8) Cl.** **23-01**

(52) **U.S. Cl.** **D23/209**

(58) **Field of Classification Search** D23/209,
D23/207; 210/420, 235, 449, 462
See application file for complete search history.

(56) **References Cited**

U.S. PATENT DOCUMENTS

5,151,179 A * 9/1992 Bach et al. 210/250
5,256,287 A * 10/1993 Underwood 210/282
5,753,118 A * 5/1998 Yang 210/266
D405,157 S * 2/1999 Hayes et al. D23/209

5,989,425 A * 11/1999 Yonezawa et al. 210/282
6,106,705 A * 8/2000 Giordano et al. 210/87
D441,422 S * 5/2001 Jensen D23/209
D529,128 S * 9/2006 Lee D23/209

OTHER PUBLICATIONS

U.S. Appl. No. 29/280,459, filed May 29, 2007, Morita et al.
U.S. Appl. No. 29/280,458, filed May 29, 2007, Morita et al.

* cited by examiner

Primary Examiner—Robin V Webster
(74) *Attorney, Agent, or Firm*—Oblon, Spivak, McClelland,
Maier & Neustadt, P.C.

(57) **CLAIM**

The ornamental design for a cartridge for water purifier, as
shown and described.

DESCRIPTION

FIG. 1 is a front perspective view of a cartridge for water
purifier showing our new design;
FIG. 2 is a front view thereof;
FIG. 3 is a rear view thereof;
FIG. 4 is a left side view thereof;
FIG. 5 is a right side view thereof;
FIG. 6 is a top plan view thereof; and,
FIG. 7 is a bottom plan view thereof.

1 Claim, 4 Drawing Sheets

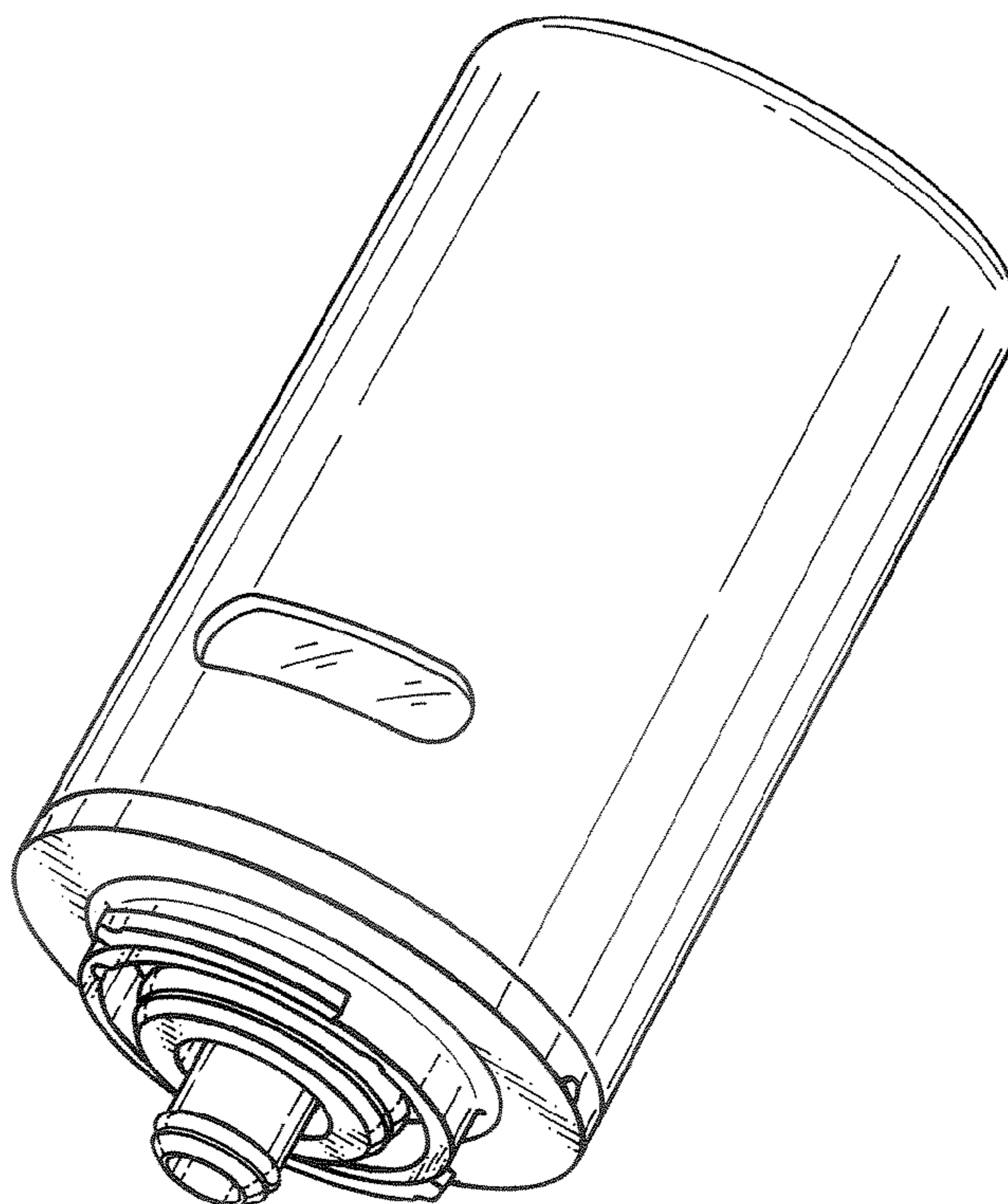


Fig.1

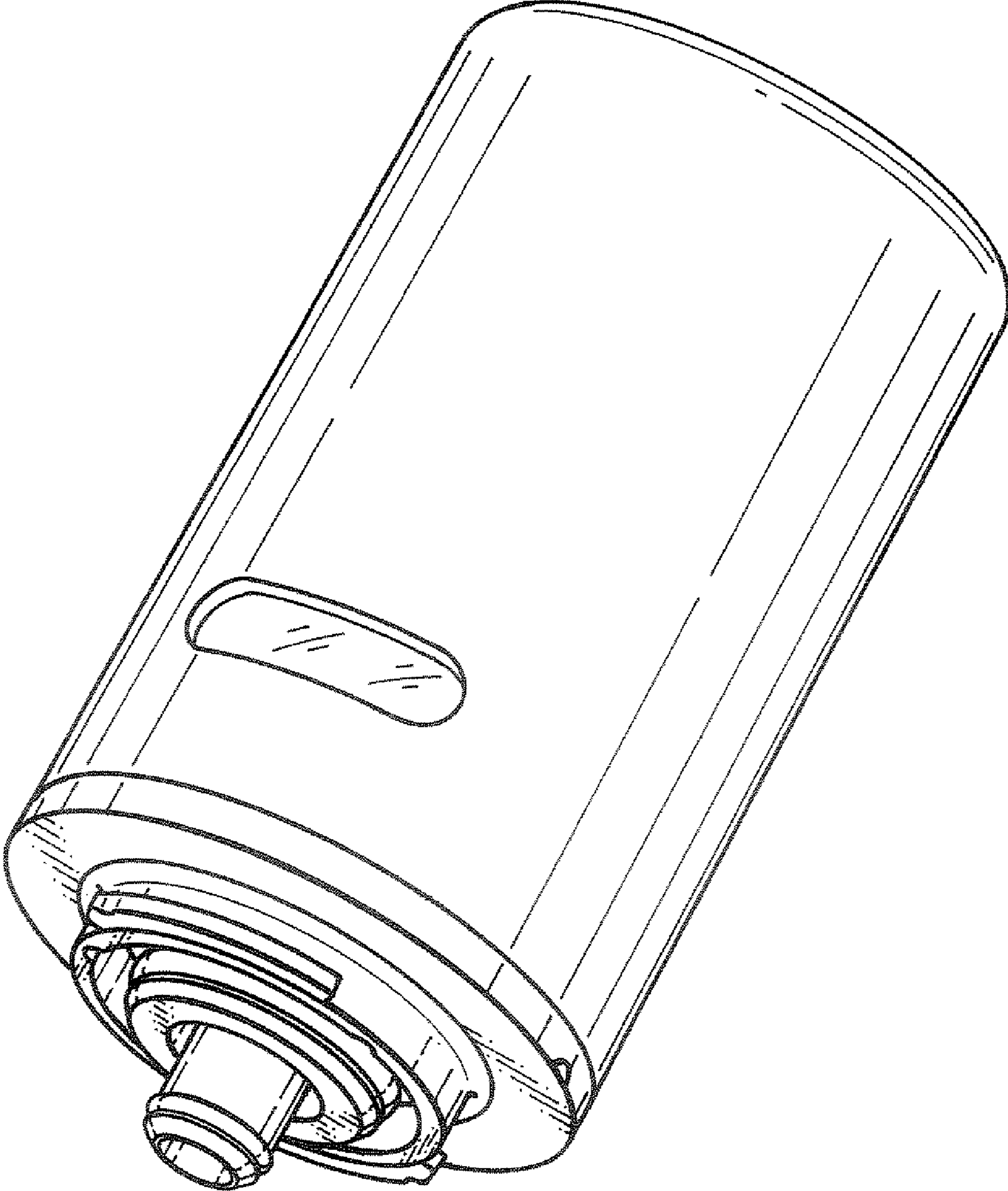


Fig. 2

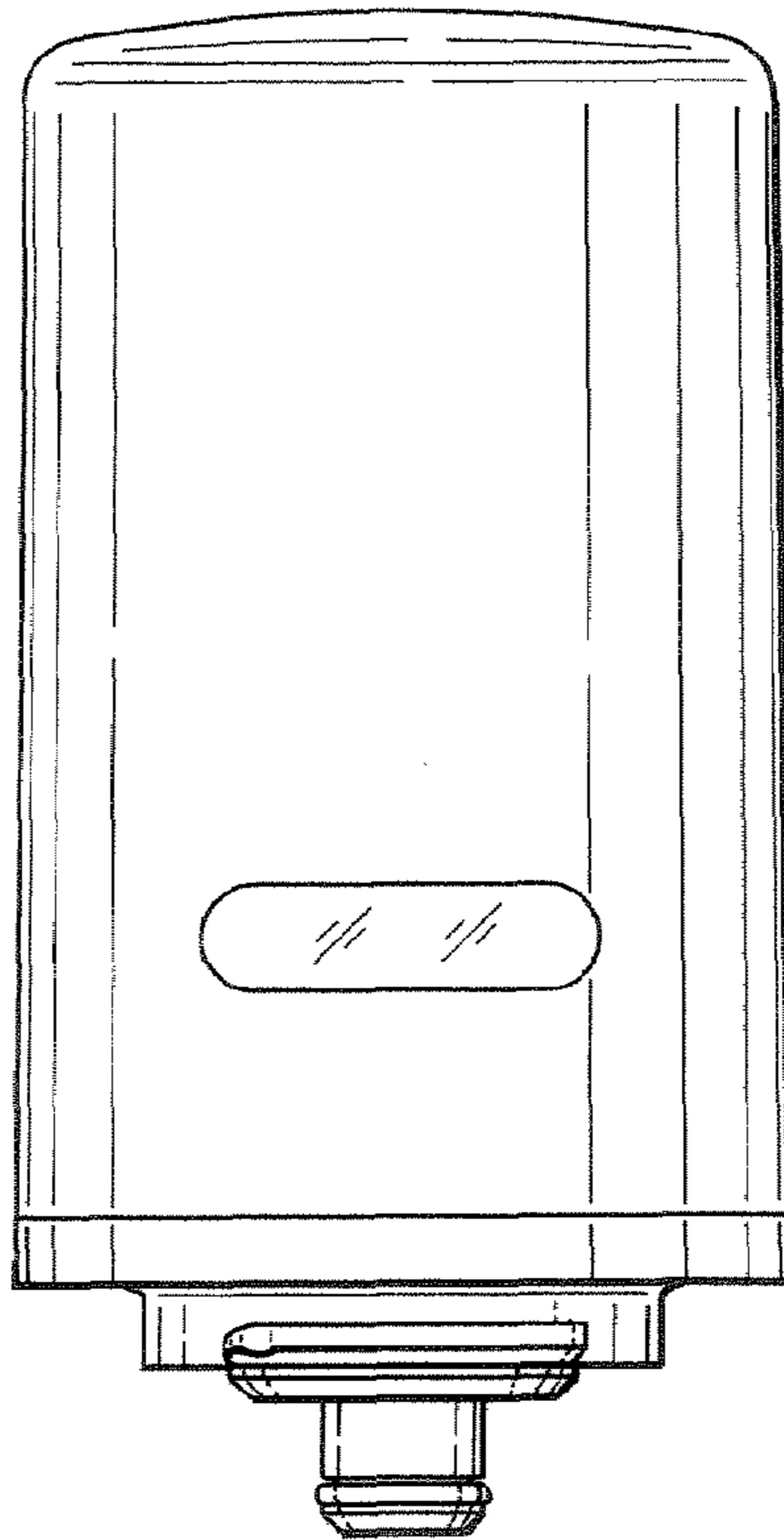


Fig. 3

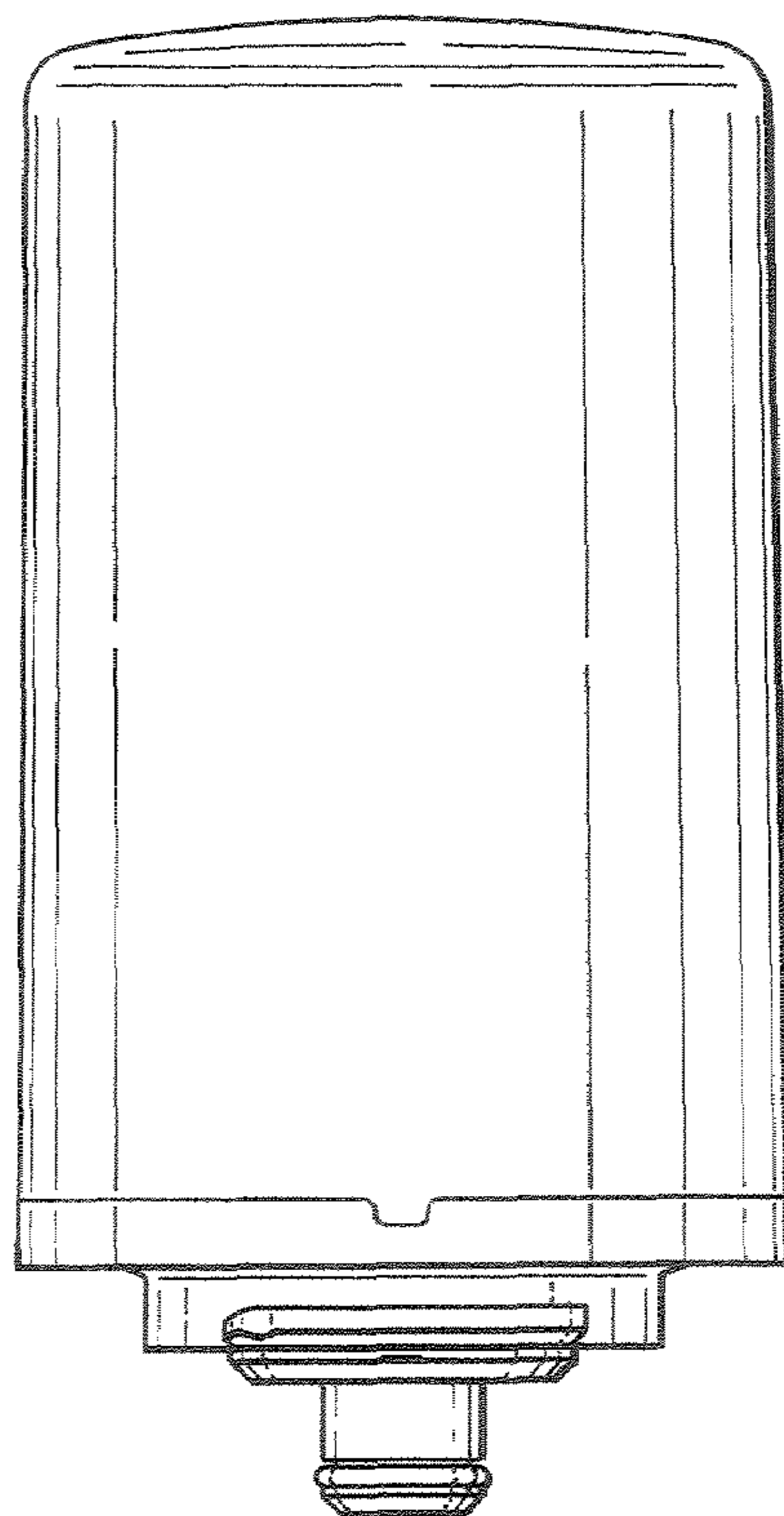


Fig.4

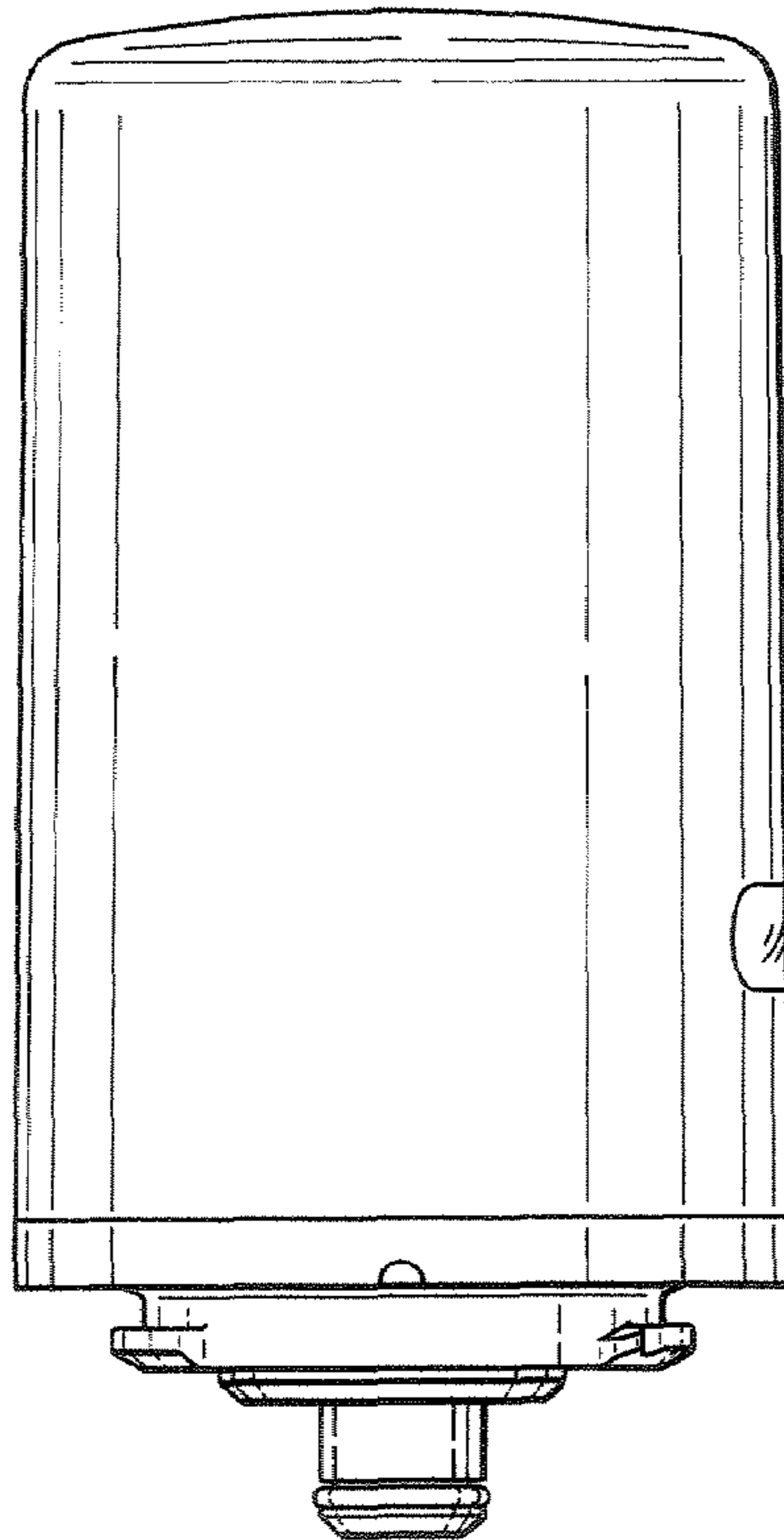


Fig.5

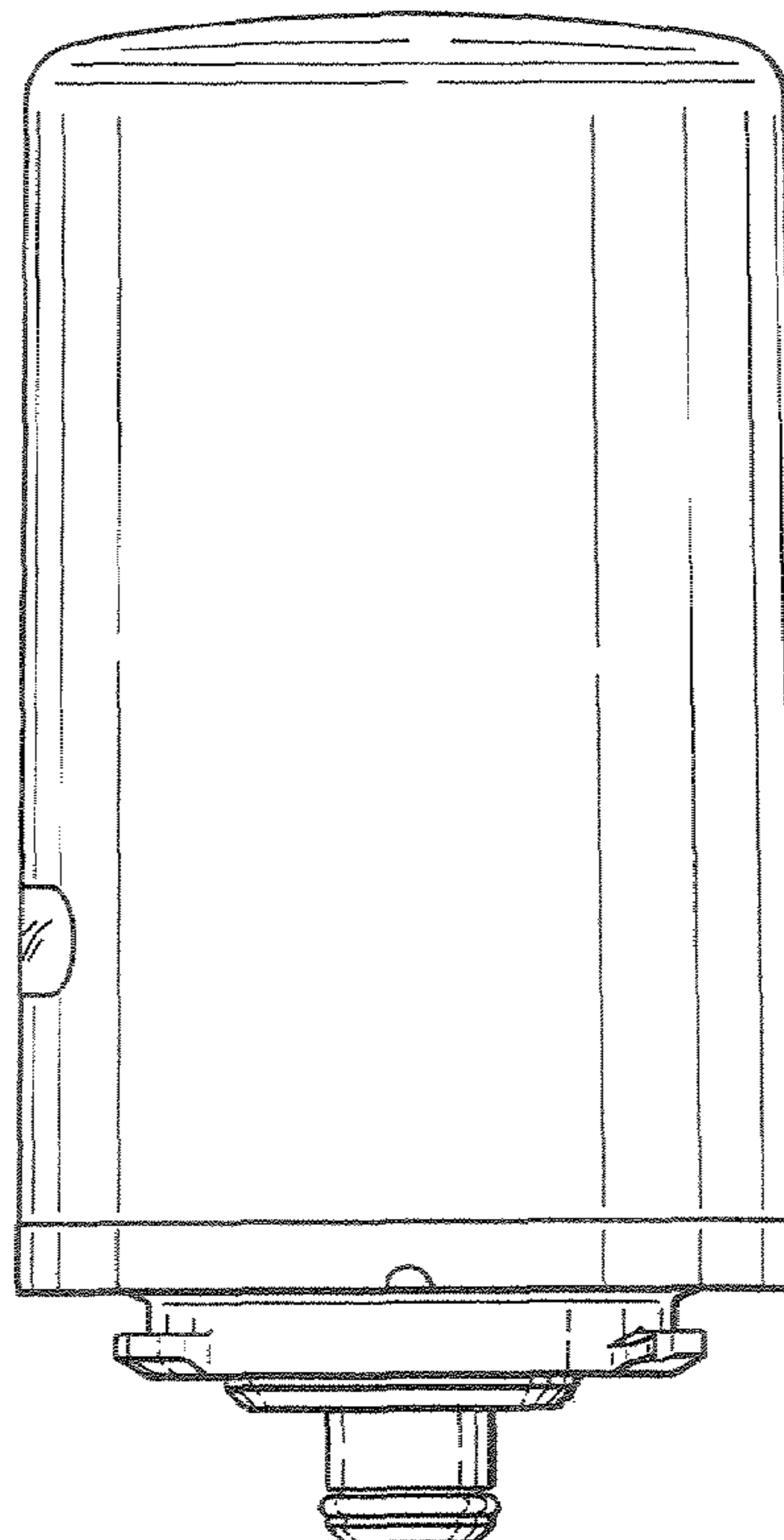


Fig.6

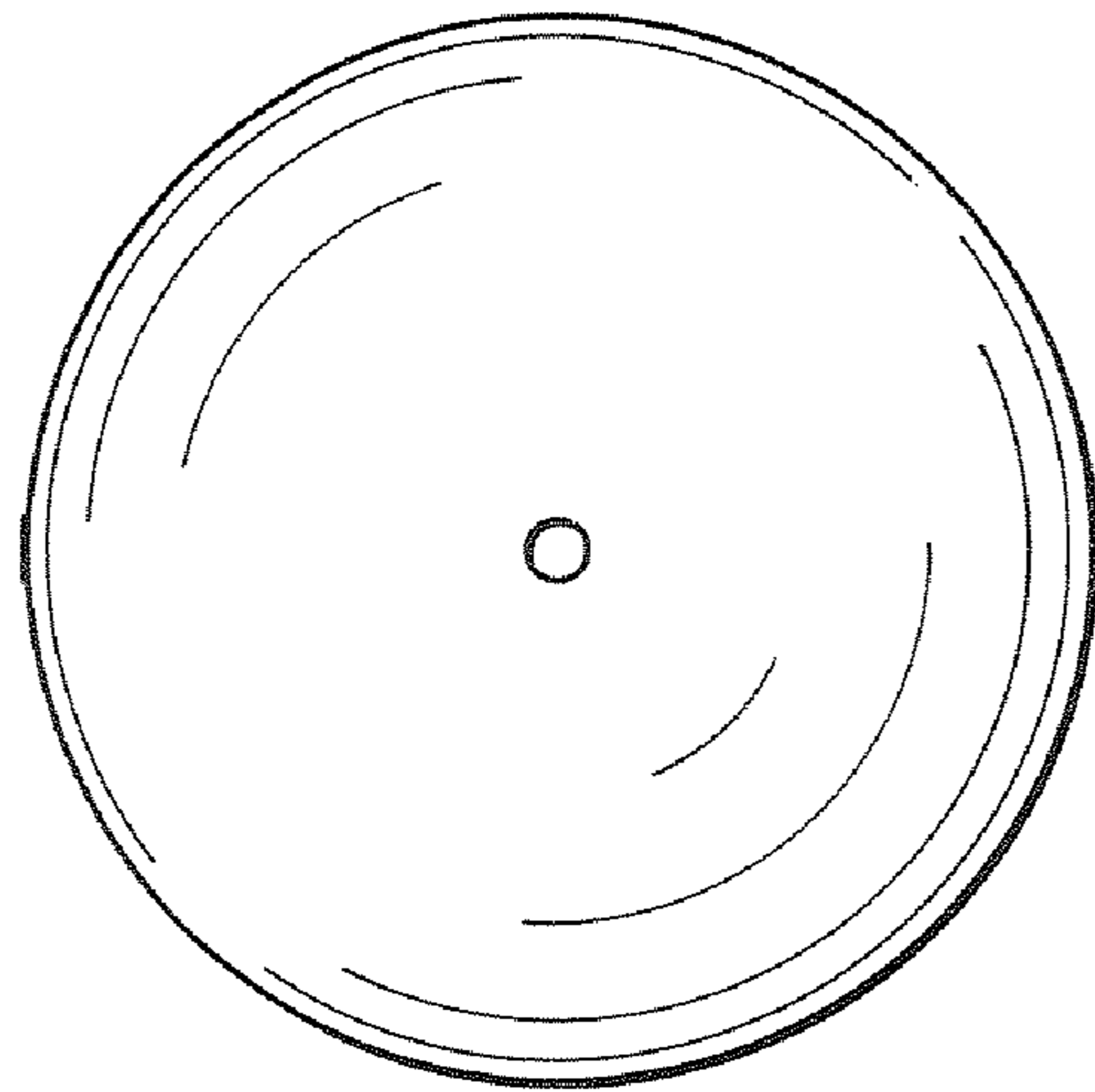


Fig.7

