



US00D570950S

(12) **United States Design Patent**
Khalil

(10) **Patent No.:** **US D570,950 S**
(45) **Date of Patent:** **** Jun. 10, 2008**

(54) **FLUID FILTER**

(75) Inventor: **Ibrahim Khalil**, Barrington, IL (US)
(73) Assignee: **SPX Corporation**, Charlotte, NC (US)
(**) Term: **14 Years**

(21) Appl. No.: **29/257,768**
(22) Filed: **Apr. 11, 2006**

(51) **LOC (8) Cl.** **23-01**
(52) **U.S. Cl.** **D23/209**
(58) **Field of Classification Search** D23/207,
D23/209; 210/172.2, 172.3, 416.5, 420,
210/445

See application file for complete search history.

(56) **References Cited**

U.S. PATENT DOCUMENTS

3,513,982 A * 5/1970 Carter et al. 210/435
4,666,594 A * 5/1987 Schneider 210/167.08
4,828,694 A * 5/1989 Leason 210/167.08
5,494,575 A * 2/1996 Kitajima et al. 210/167.04
6,220,454 B1 * 4/2001 Chilton 210/483

6,953,527 B2 * 10/2005 Brower et al. 210/295
* cited by examiner

Primary Examiner—Robin V Webster
(74) *Attorney, Agent, or Firm*—Baker & Hostetler LLP

(57) **CLAIM**

The ornamental design for a fluid filter, as shown and described.

DESCRIPTION

FIG. 1 is a perspective view of the fluid filter inventive design thereof;
FIG. 2 is a top plan view thereof;
FIG. 3 is a bottom plan view thereof;
FIG. 4 is a right side elevation view thereof;
FIG. 5 is a left side elevation view thereof;
FIG. 6 is a front elevation view thereof; and,
FIG. 7 is a rear elevation view thereof.

The broken line showing is included for the purpose of illustrating and forms no part of the claimed design.

1 Claim, 6 Drawing Sheets

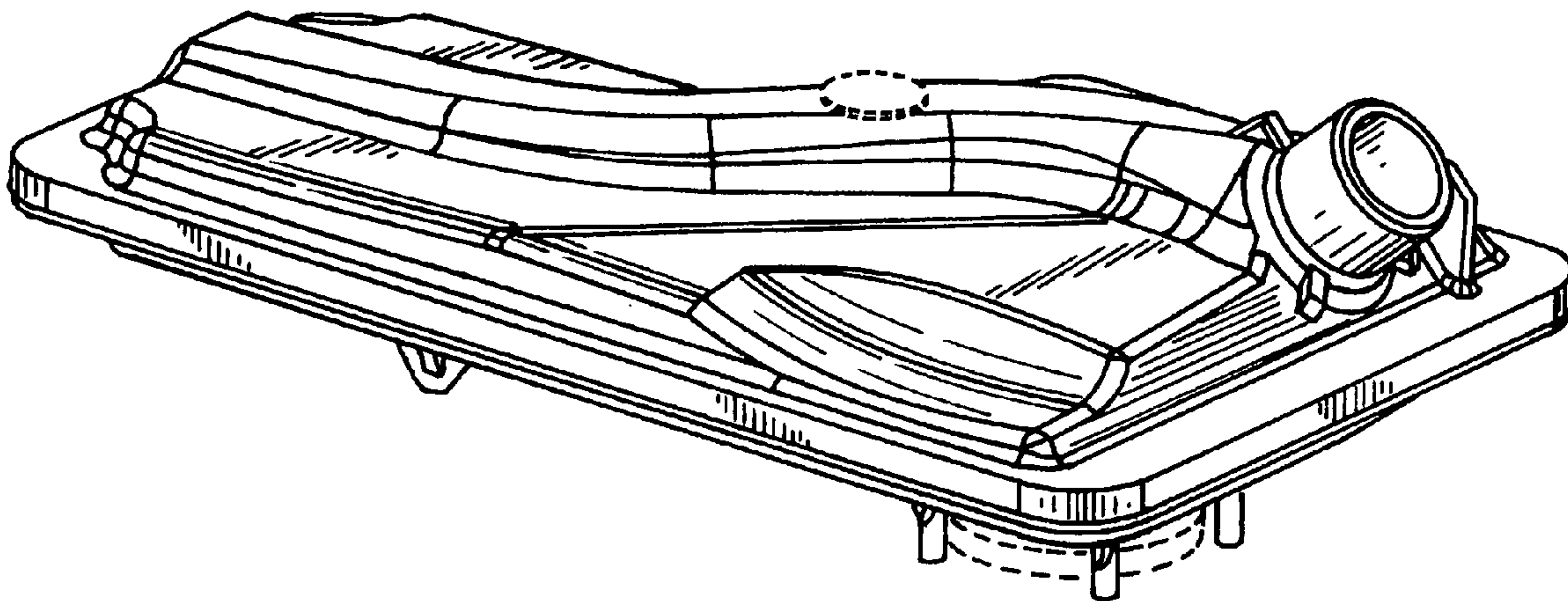
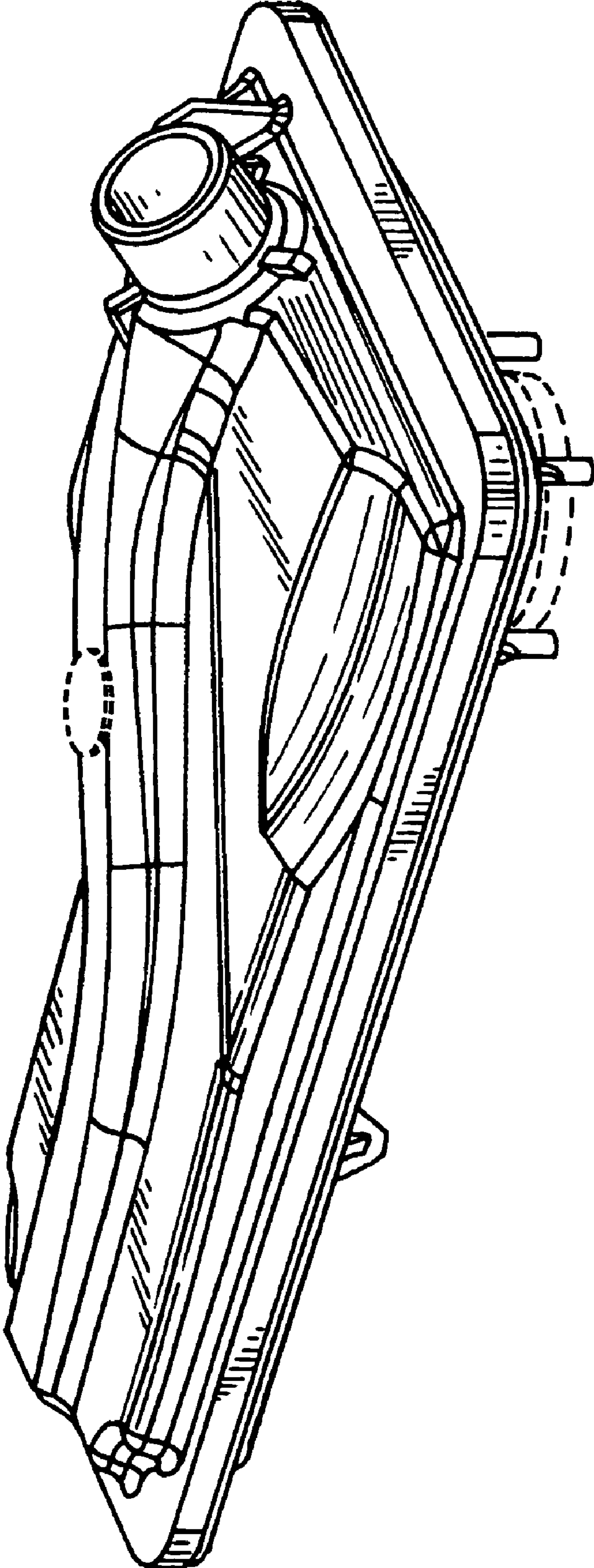


FIG. 1



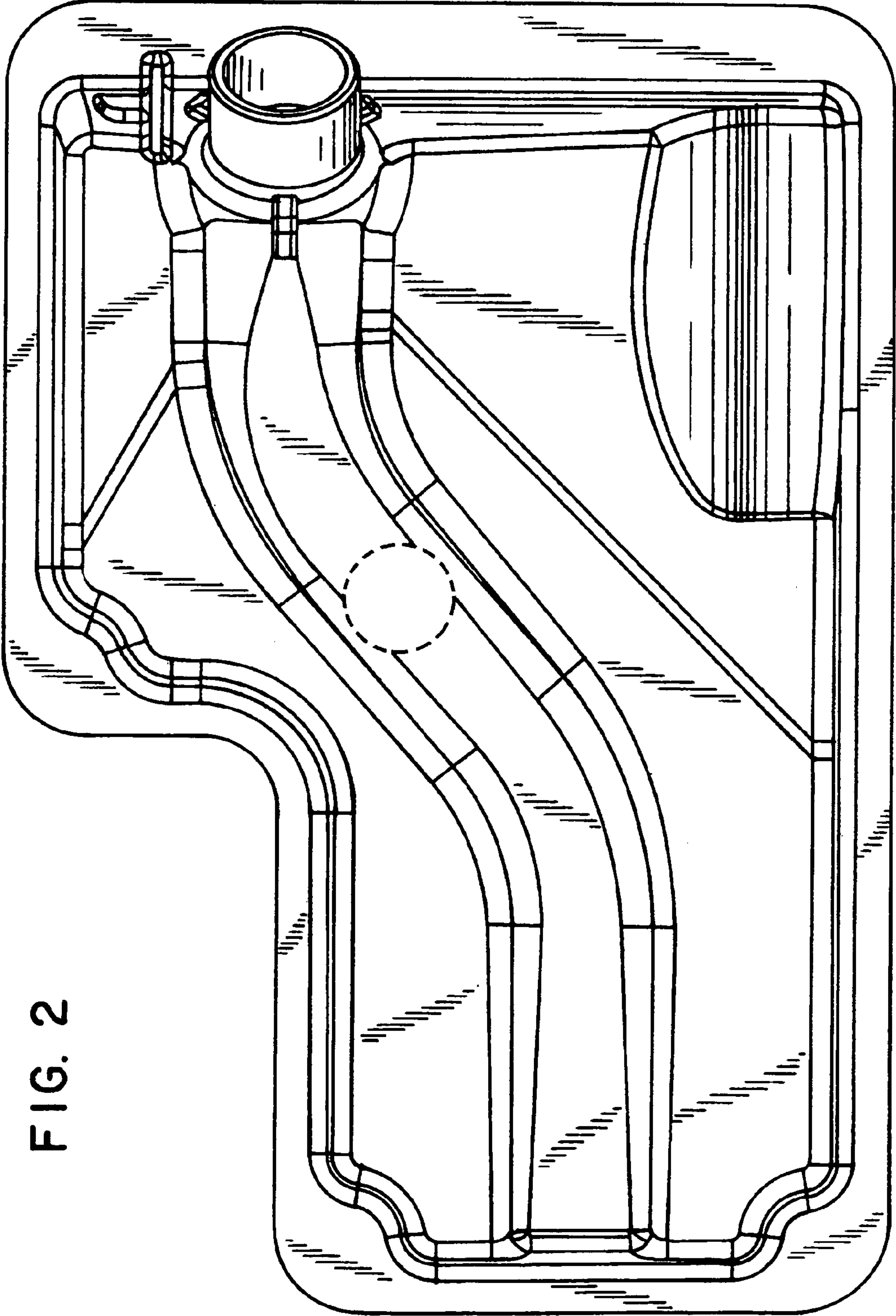


FIG. 2

FIG. 3

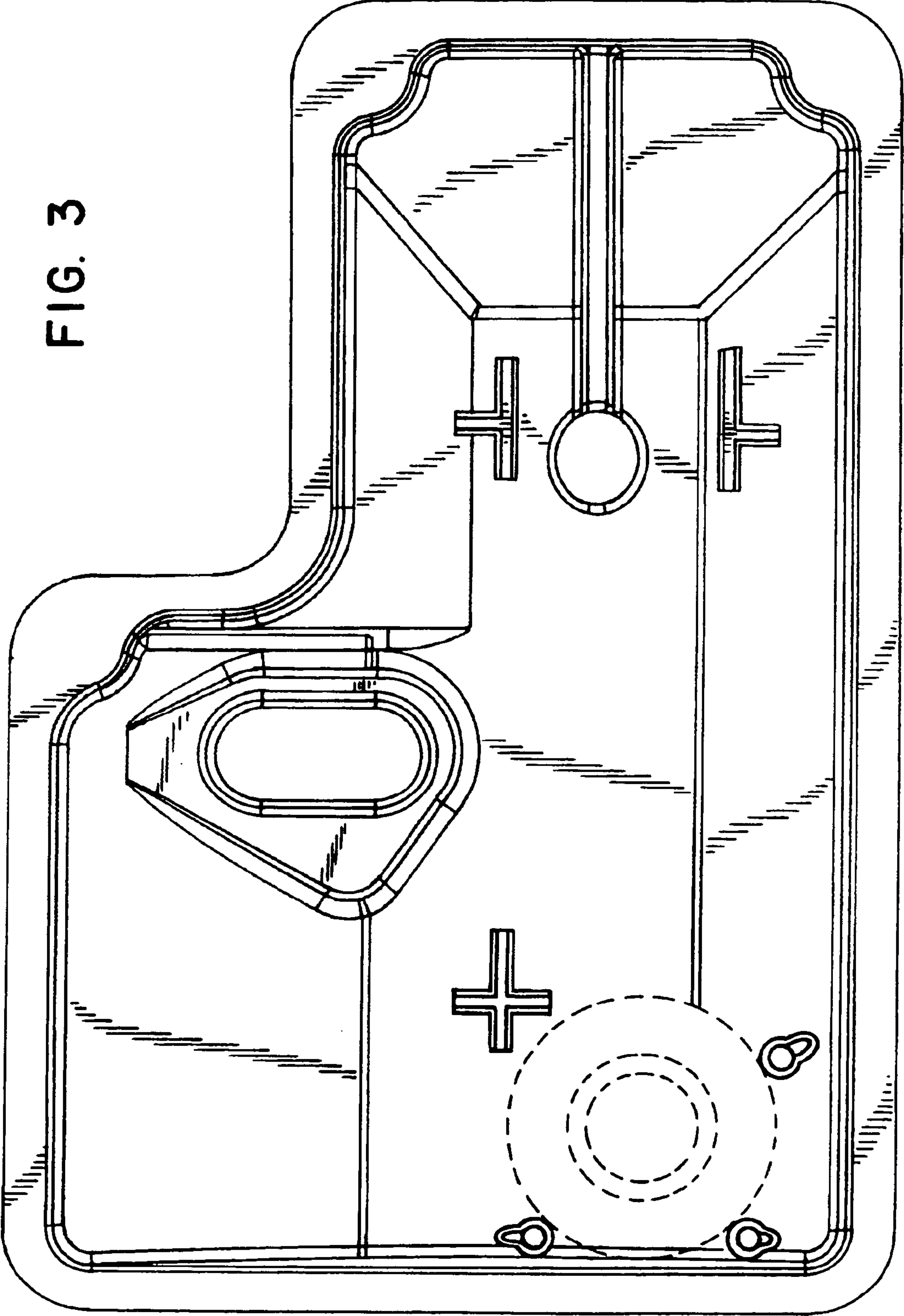


FIG. 4

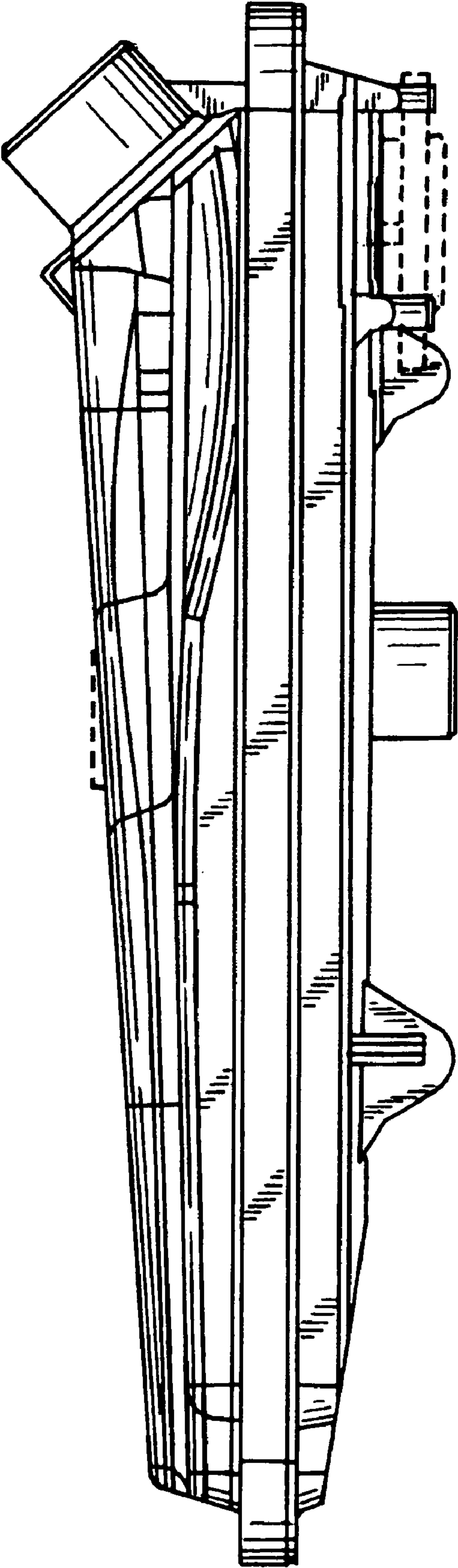


FIG. 5

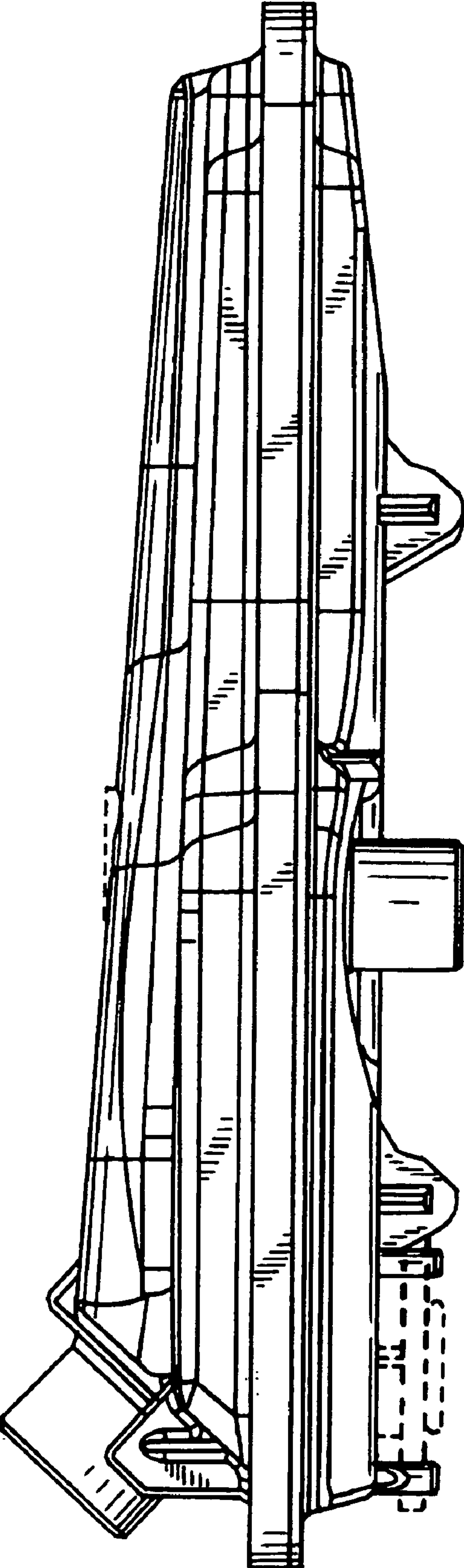


FIG. 6

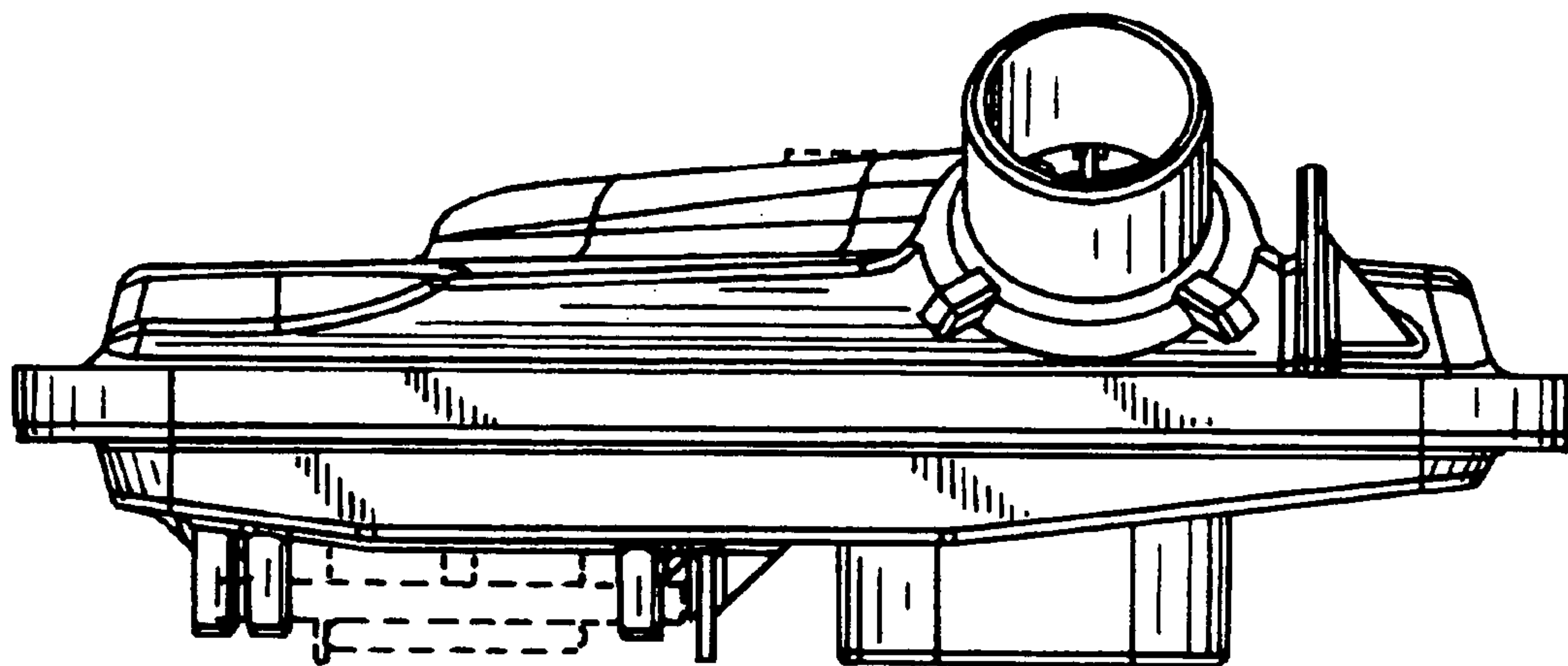


FIG. 7

