

US00D570946S

(12) **United States Design Patent**
Oas

(10) **Patent No.:** **US D570,946 S**

(45) **Date of Patent:** **** Jun. 10, 2008**

(54) **SWITCHBLADE DIVOT REPAIR TOOL**

D500,828 S * 1/2005 Pace D21/793
6,837,807 B1 * 1/2005 Kerr 473/408

(76) Inventor: **Daniel Oas**, 6250 N. Irwindale Ave.,
Irwindale, CA (US) 91702

* cited by examiner

(**) Term: **14 Years**

Primary Examiner—Mitchell I Siegel
(74) *Attorney, Agent, or Firm*—Edgar W. Averill, Jr.;
Kenneth L. Green

(21) Appl. No.: **29/285,710**

(22) Filed: **Apr. 4, 2007**

(57) **CLAIM**

(51) **LOC (8) Cl.** **21-02**

The ornamental design for a switchblade divot repair tool, as shown and described.

(52) **U.S. Cl.** **D21/793**

(58) **Field of Classification Search** D21/789,
D21/793-794; 473/286, 408

See application file for complete search history.

DESCRIPTION

(56) **References Cited**

FIG. 1 is a perspective view showing the top and right side of the switchblade divot repair tool showing my new design.

U.S. PATENT DOCUMENTS

FIG. 2 is a top view thereof.

2,854,745	A	*	10/1958	Braverman	30/162
D238,436	S	*	1/1976	McKelvey	D21/793
D285,233	S	*	8/1986	Owen	D21/793
D306,057	S	*	2/1990	Vaughan, Jr.	D21/793
4,998,726	A	*	3/1991	Budnick	473/406
5,388,824	A	*	2/1995	Reimers	473/406
5,449,169	A	*	9/1995	Hardin et al.	473/408
D369,637	S	*	5/1996	Digerness et al.	D21/793
5,562,553	A	*	10/1996	Digerness et al.	473/408
D425,163	S	*	5/2000	Cauffman et al.	D21/793
6,162,137	A	*	12/2000	Jones et al.	473/408

FIG. 3 is a right side view thereof.

FIG. 4 is a left side view thereof.

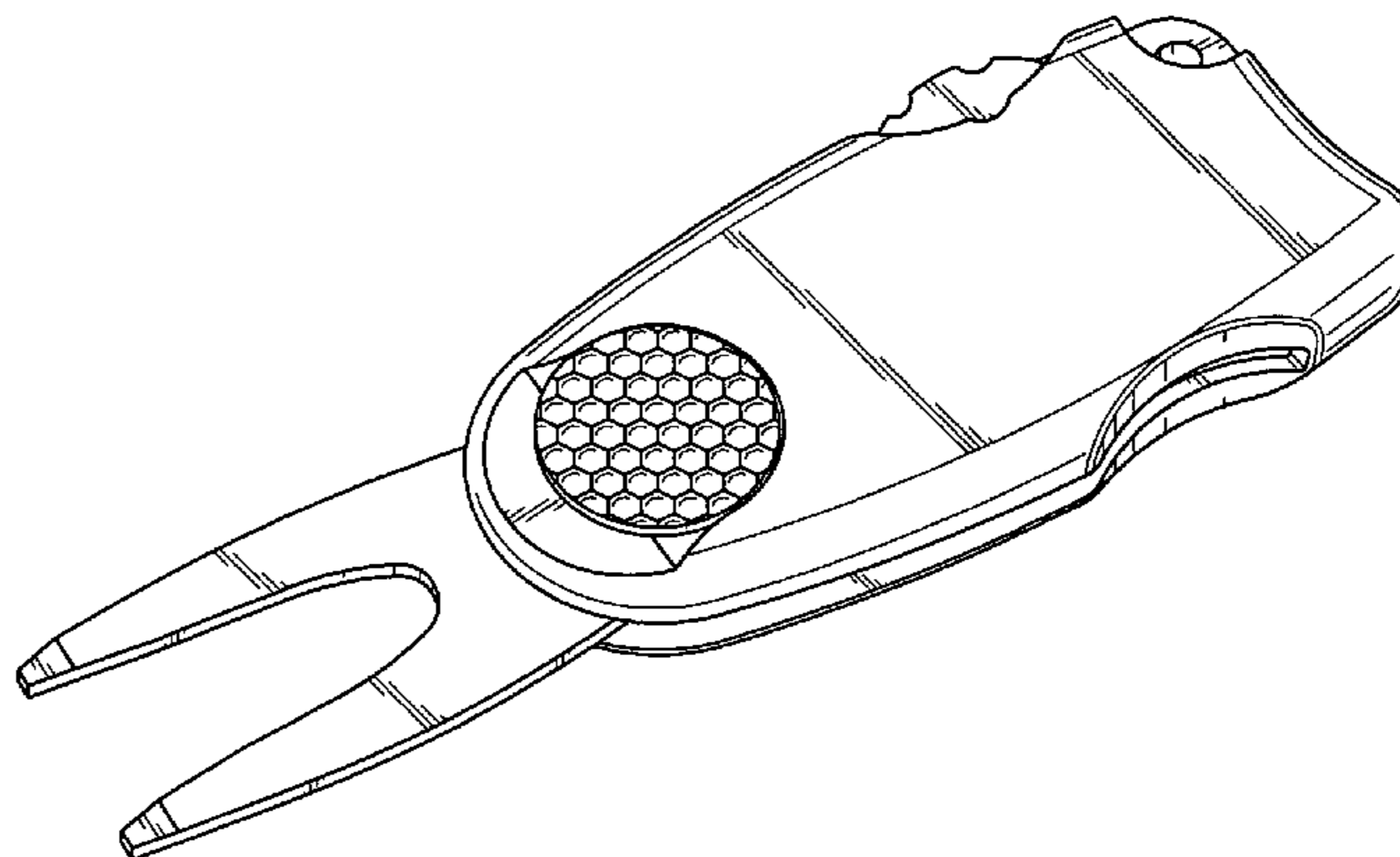
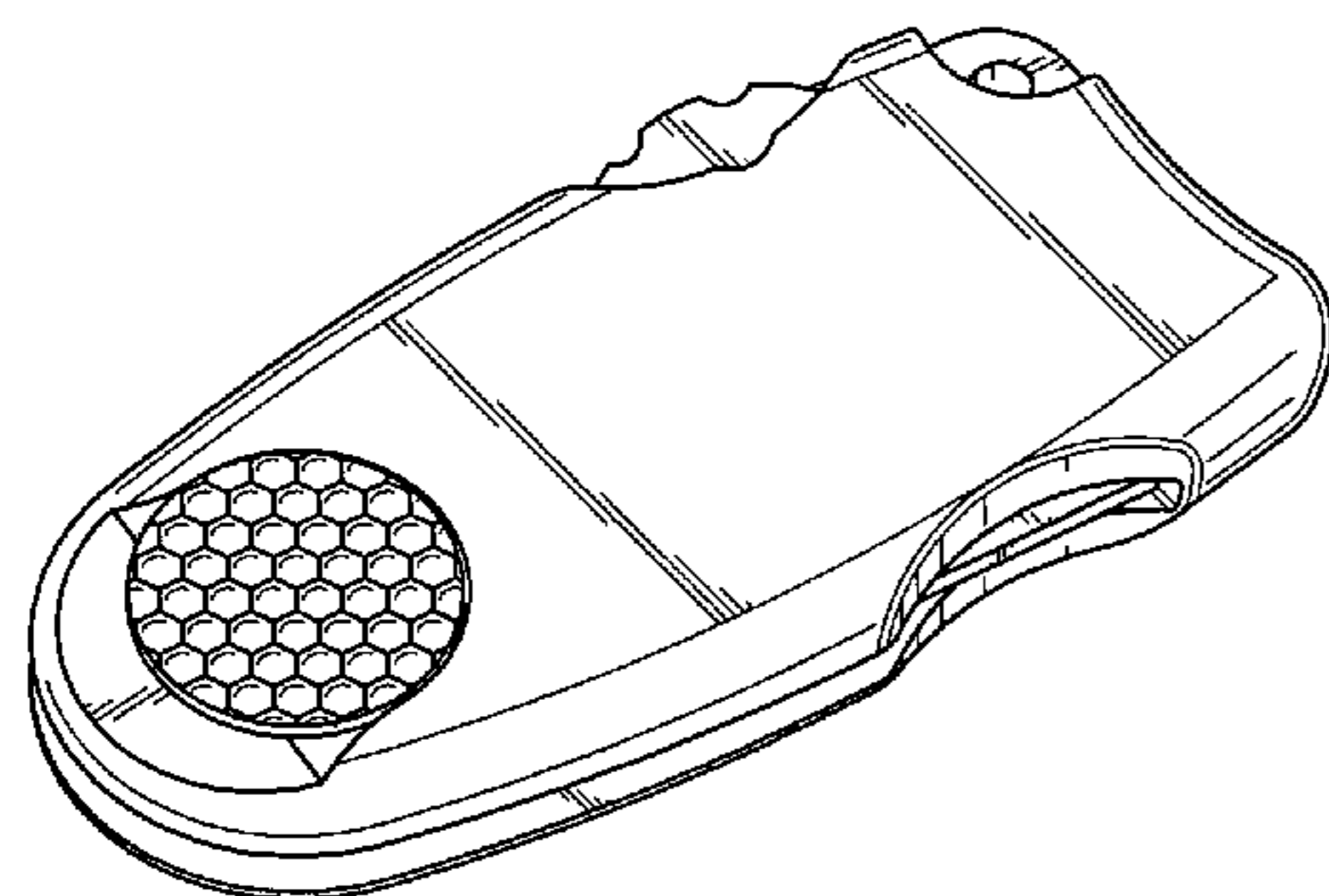
FIG. 5 is a bottom view thereof.

FIG. 6 is a top view thereof.

FIG. 7 is a back view thereof; and,

FIG. 8 is a perspective view of FIG. 1, the divot repair tool blade shown extended.

1 Claim, 4 Drawing Sheets



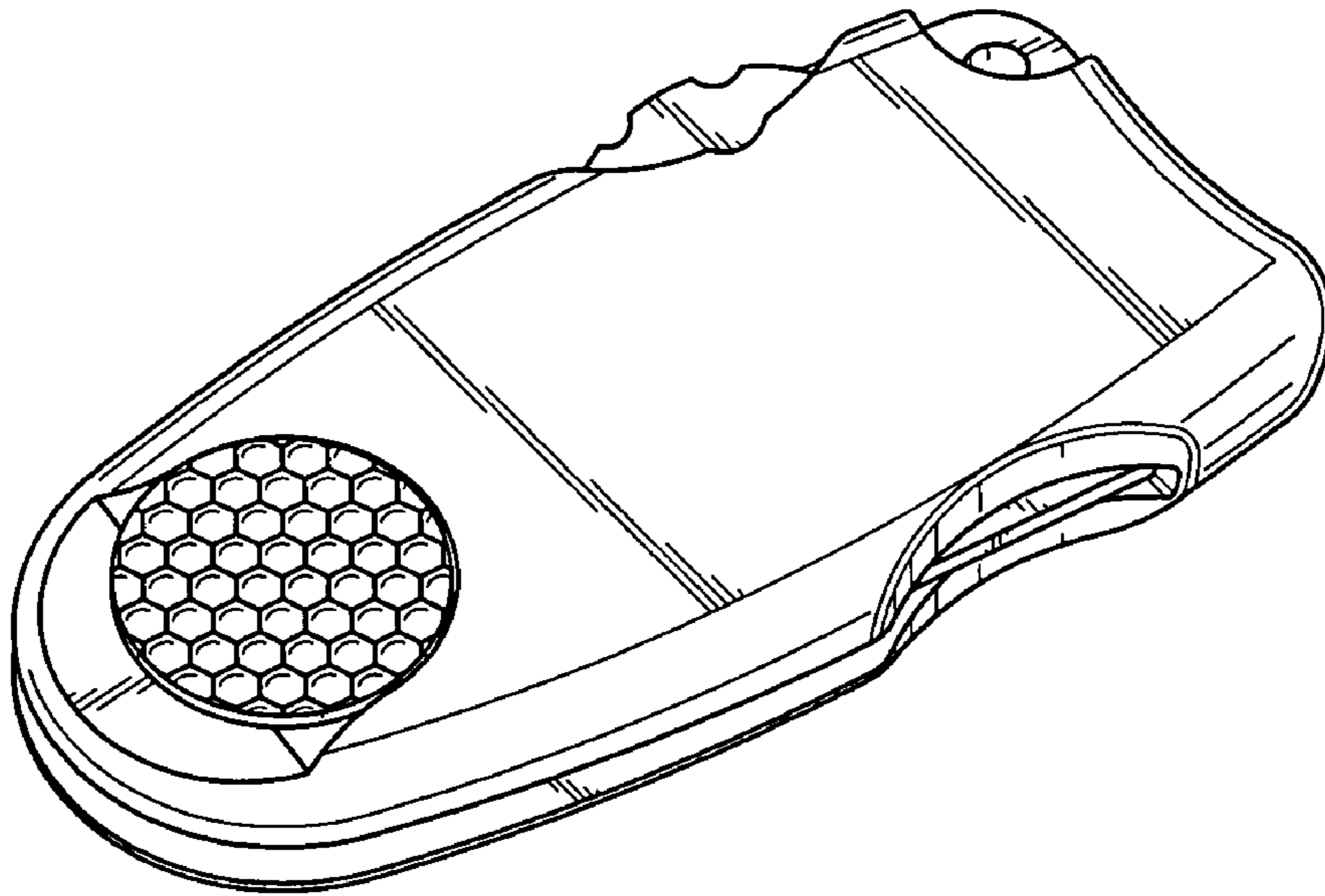


FIG. 1

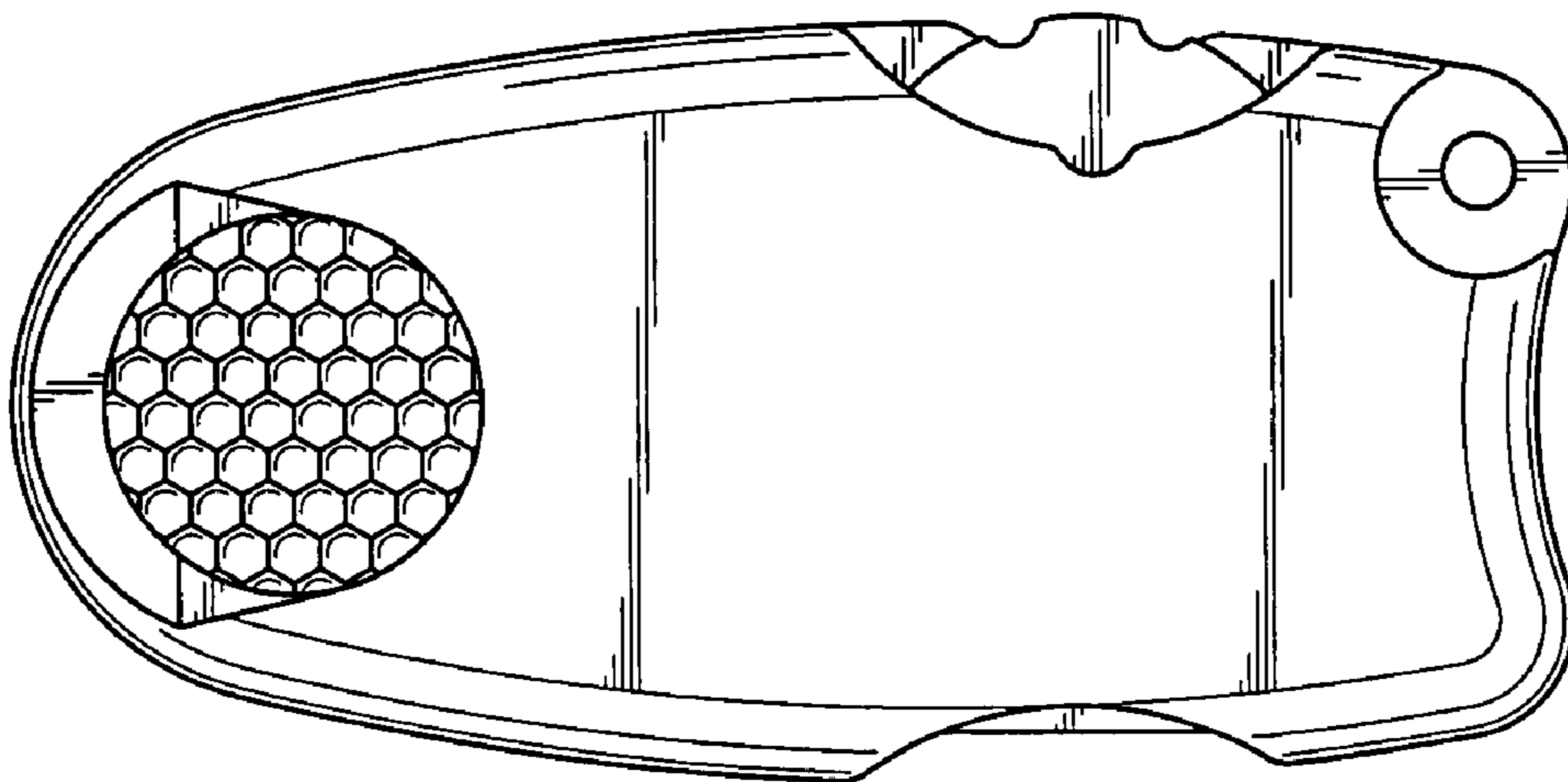


FIG. 2

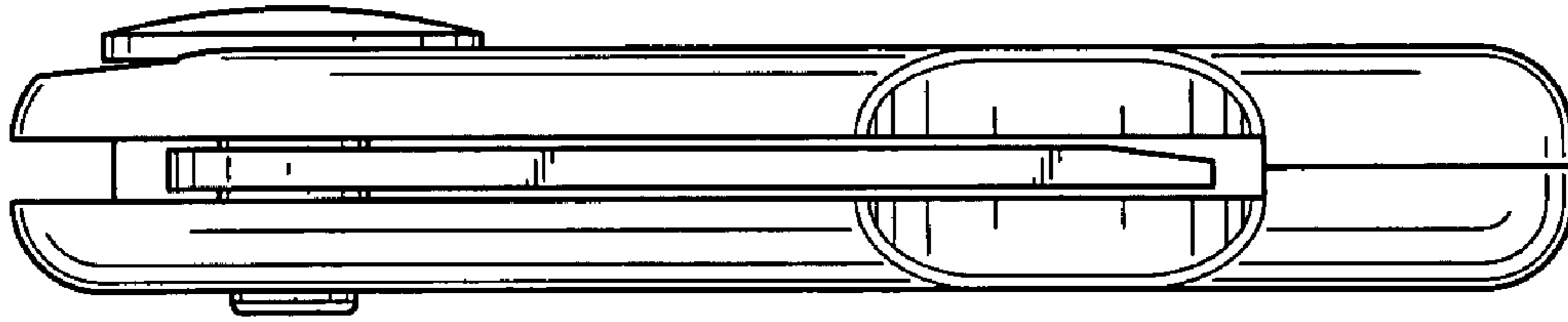


FIG. 3

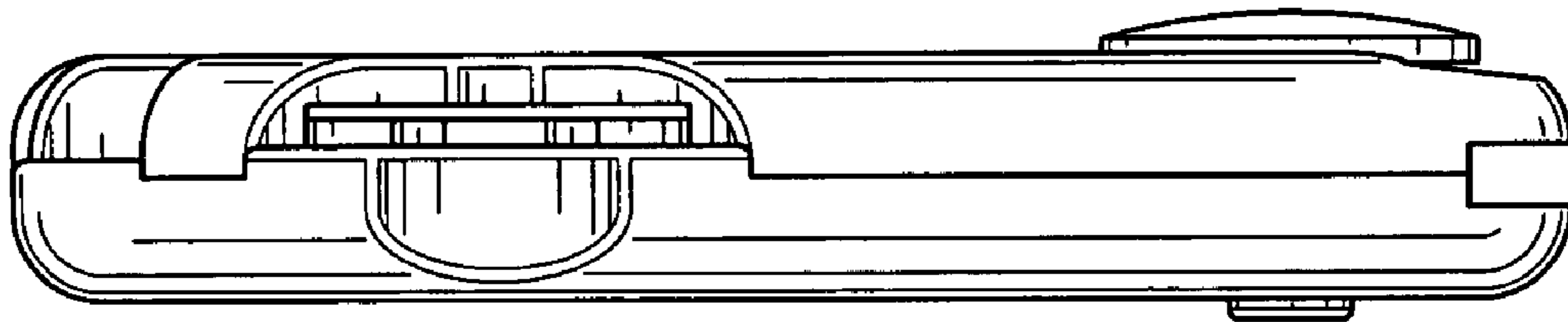


FIG. 4

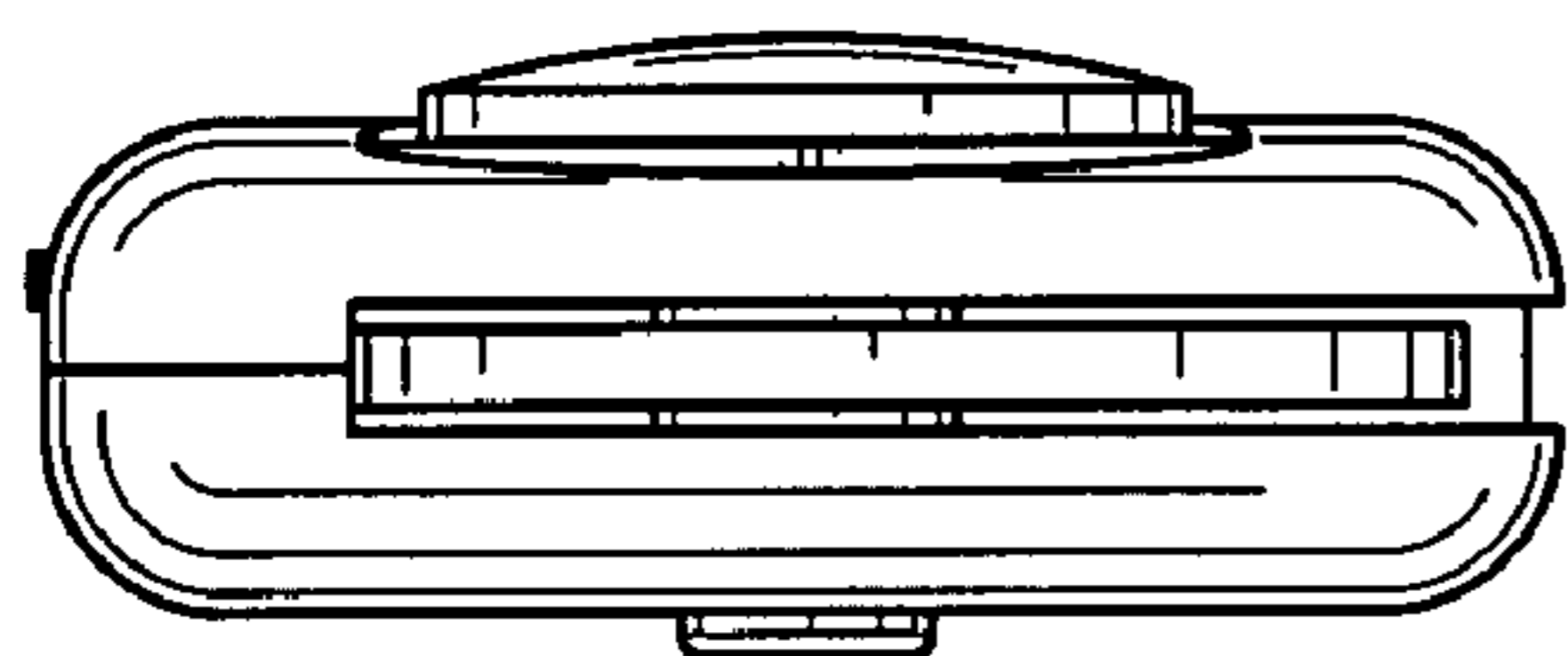


FIG. 5

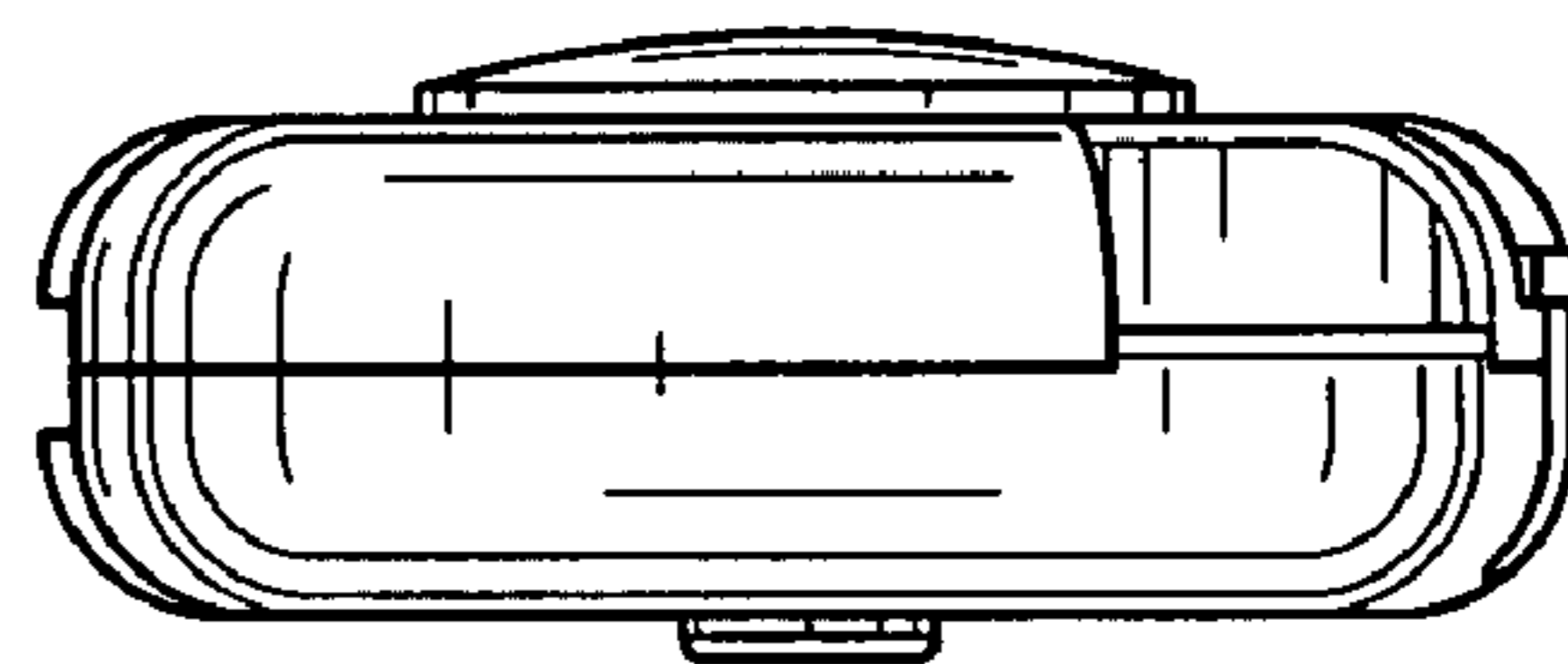


FIG. 6

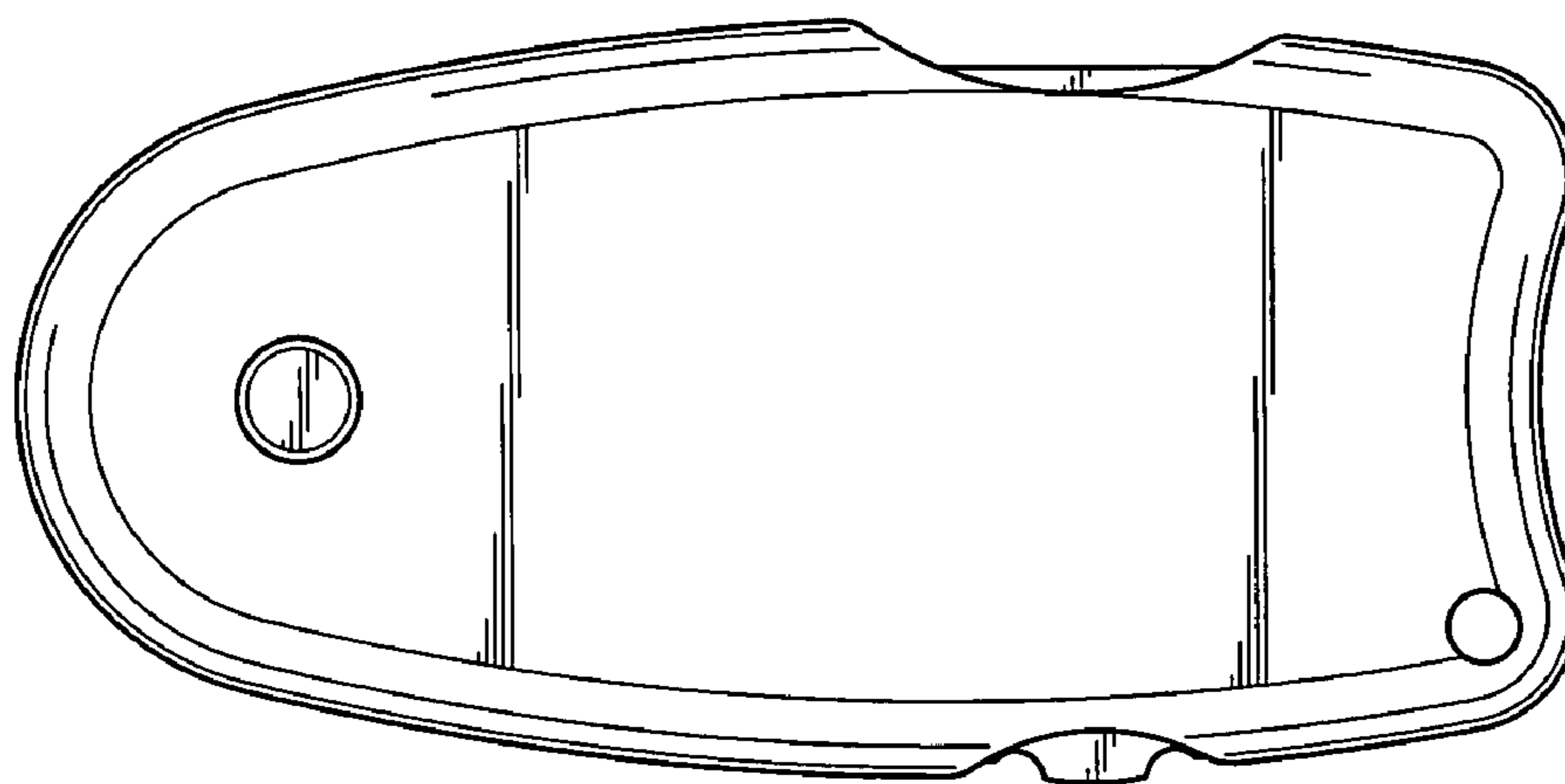


FIG. 7

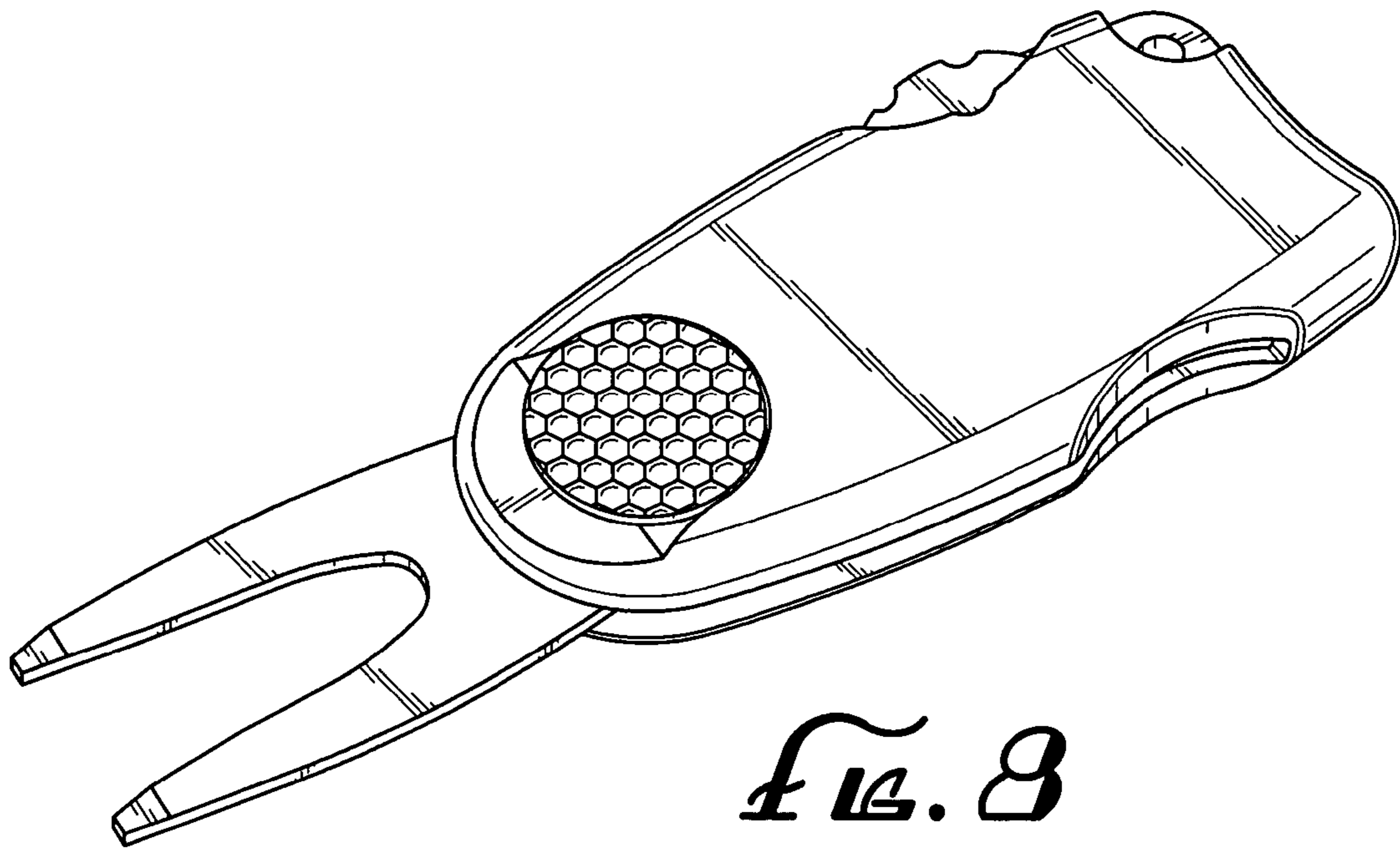


FIG. 8