

US00D570934S

(12) **United States Design Patent**
Ban et al.

(10) **Patent No.:** **US D570,934 S**
(45) **Date of Patent:** **** Jun. 10, 2008**

(54) **PUTTER HEAD**

(75) Inventors: **Wataru Ban**, Chichibu (JP); **Atsuo Tateno**, Shinagawa-ku (JP)

(73) Assignee: **Bridgestone Sports Co., Ltd.**, Tokyo (JP)

(**) Term: **14 Years**

(21) Appl. No.: **29/274,547**

(22) Filed: **May 1, 2007**

(51) **LOC (8) Cl.** **21-02**

(52) **U.S. Cl.** **D21/744**

(58) **Field of Classification Search** D21/736-746;
473/324-332, 340-341, 251-256
See application file for complete search history.

(56) **References Cited**

U.S. PATENT DOCUMENTS

1,289,553 A	12/1918	Sanders	
D190,035 S	4/1961	Hansen, Jr.	
D200,585 S	3/1965	Cefaly	
3,260,525 A	7/1966	Ortel	
D246,865 S	1/1978	Krysakowski	
4,067,572 A	1/1978	Coleman	
D351,443 S *	10/1994	Caugh et al.	D21/743
D365,615 S *	12/1995	Shimatani	D21/743
5,637,044 A	6/1997	Swash	
D389,207 S	1/1998	Cameron	
D394,689 S *	5/1998	Sheets	D21/743
D396,081 S	7/1998	Sheets	
D396,258 S	7/1998	Sheets	
D398,354 S *	9/1998	Carter	D21/742
D410,267 S	5/1999	Solheim et al.	
D413,951 S *	9/1999	Storer et al.	D21/744
D430,246 S *	8/2000	Chiou et al.	D21/736
D434,094 S *	11/2000	Miyashita	D21/744

D438,272 S	2/2001	Moore	
D458,331 S *	6/2002	Wahl et al.	D21/759
D459,423 S *	6/2002	Long	D21/744
D507,319 S *	7/2005	Kramski	D21/744
D511,802 S *	11/2005	Cameron	D21/744
D531,241 S *	10/2006	Hueber	D21/742
D548,299 S *	8/2007	Nguyen et al.	D21/759
D552,699 S *	10/2007	Rollinson	D21/759
D559,928 S *	1/2008	Cameron et al.	D21/736

FOREIGN PATENT DOCUMENTS

JP	1084113 S	9/2000
JP	1114220 S	7/2001

* cited by examiner

Primary Examiner—Mitchell I Siegel

(74) *Attorney, Agent, or Firm*—Sughrue Mion, PLLC

(57) **CLAIM**

The ornamental design for putter head, as shown and described.

DESCRIPTION

FIG. 1 is a front view of putter head embodying our new design;

FIG. 2 is a rear view thereof;

FIG. 3 is a top plan view thereof;

FIG. 4 is a bottom view thereof;

FIG. 5 is a left side view thereof;

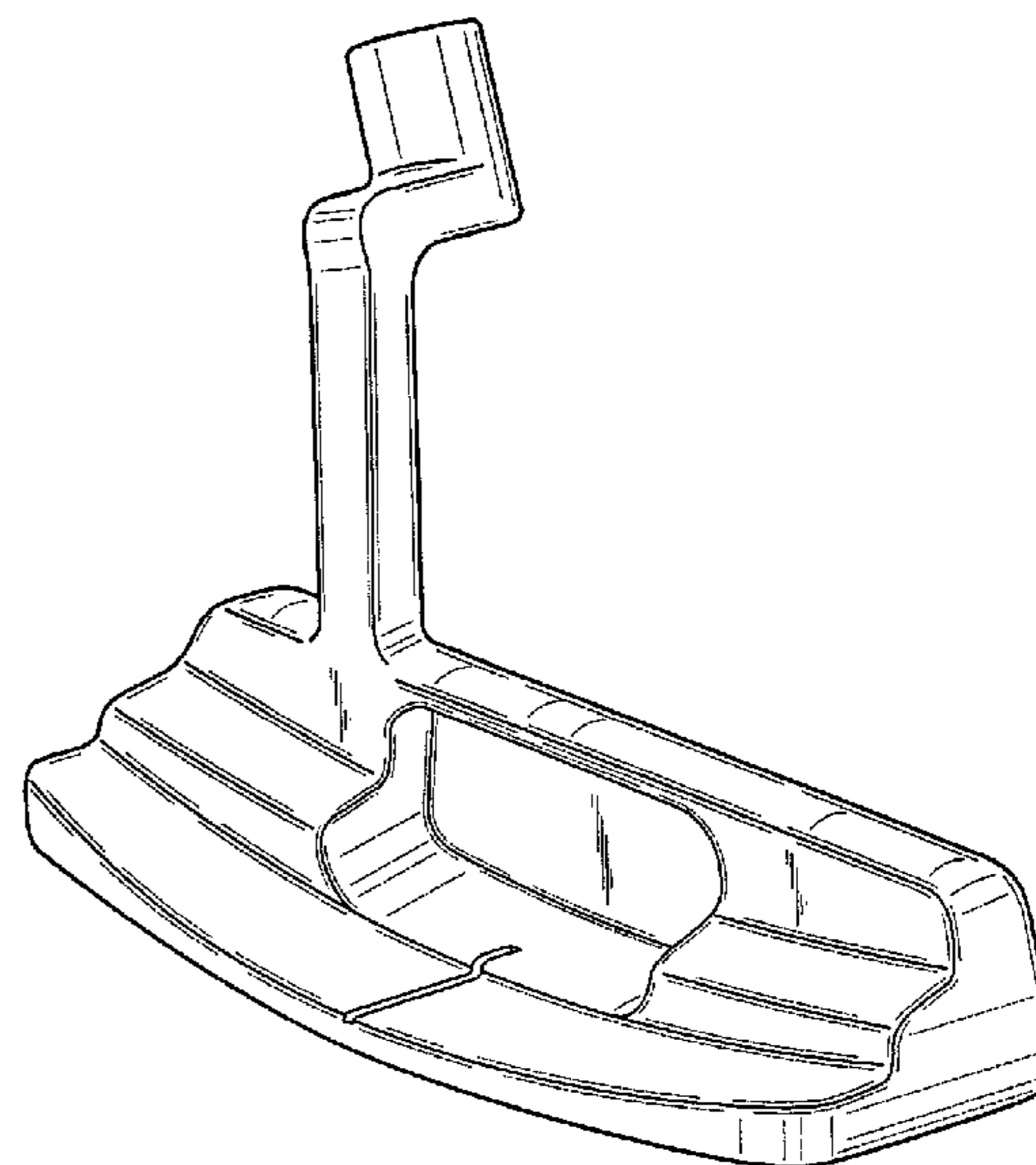
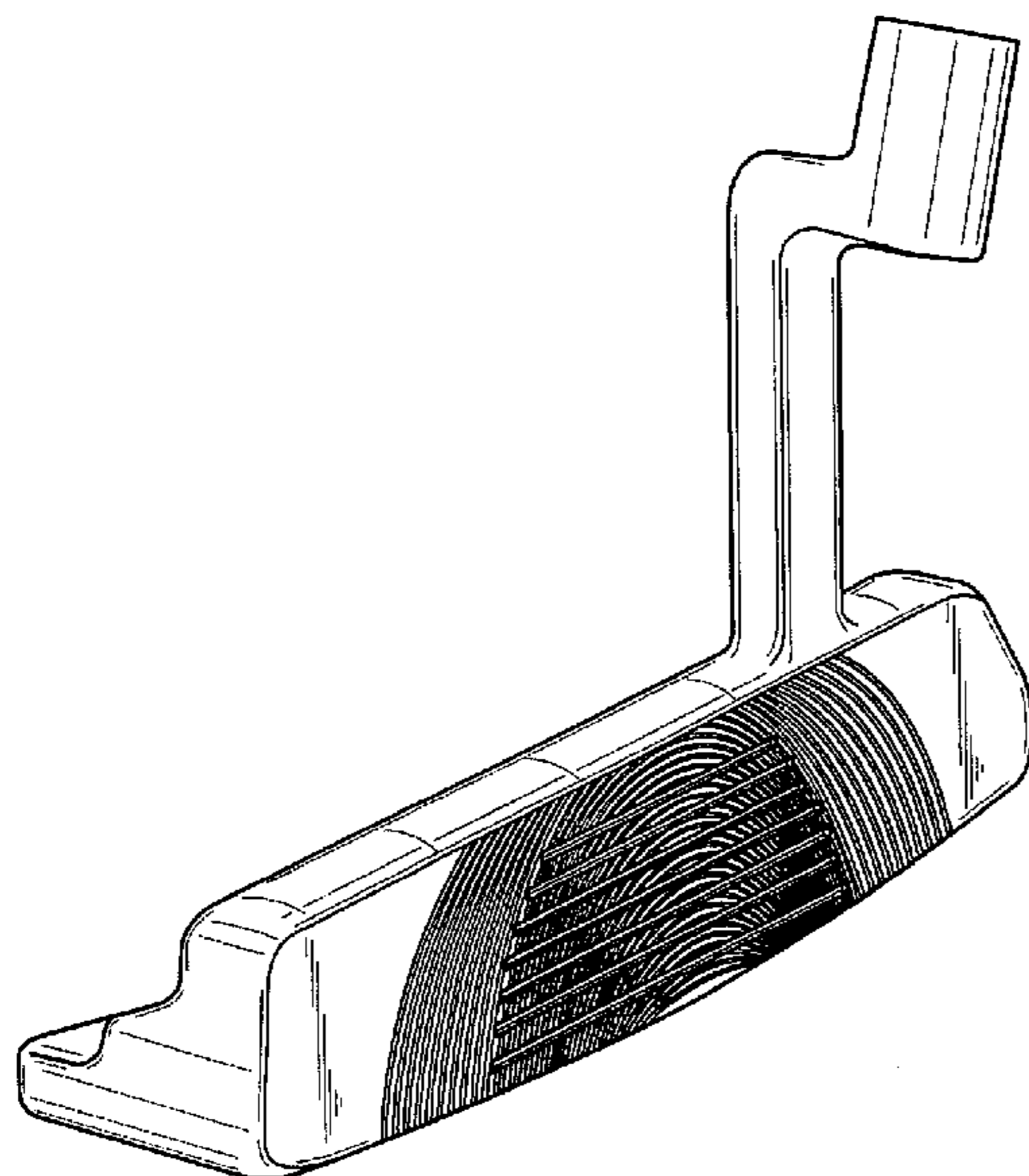
FIG. 6 is a right side view thereof;

FIG. 7 is a top perspective view thereof;

FIG. 8 is a bottom perspective view thereof; and,

FIG. 9 is a partly enlarged front view thereof.

1 Claim, 5 Drawing Sheets



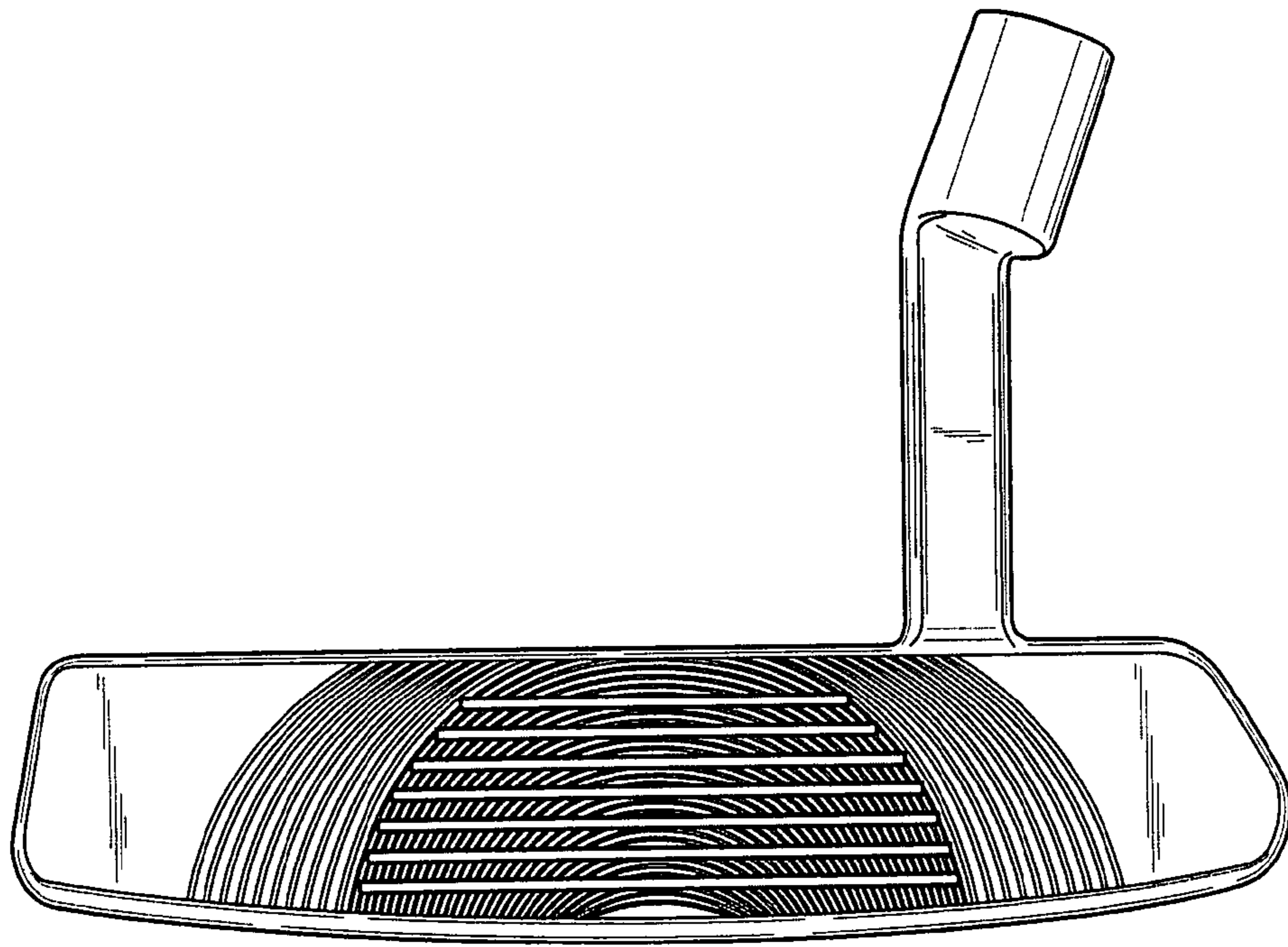


Fig. 1

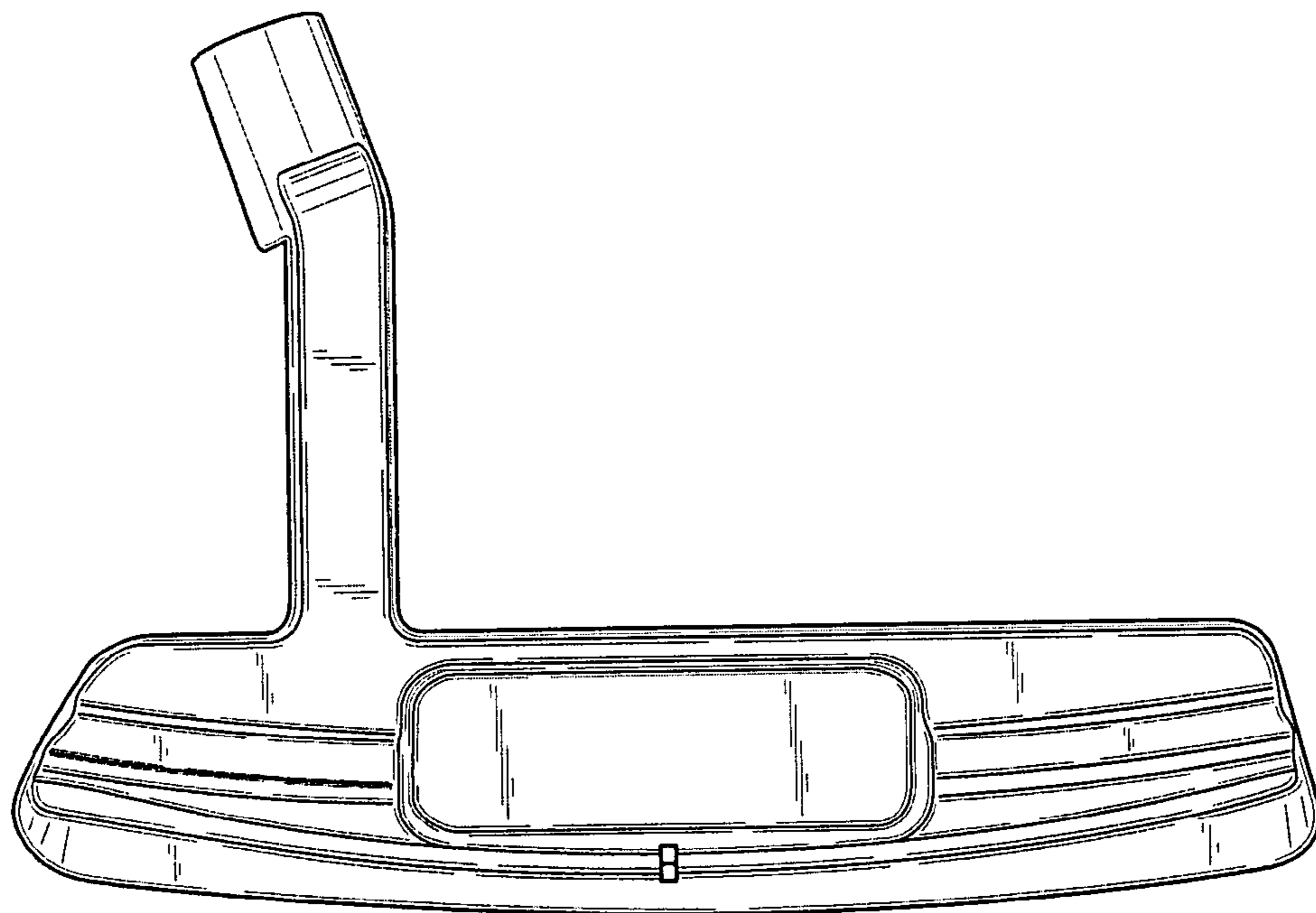


Fig. 2

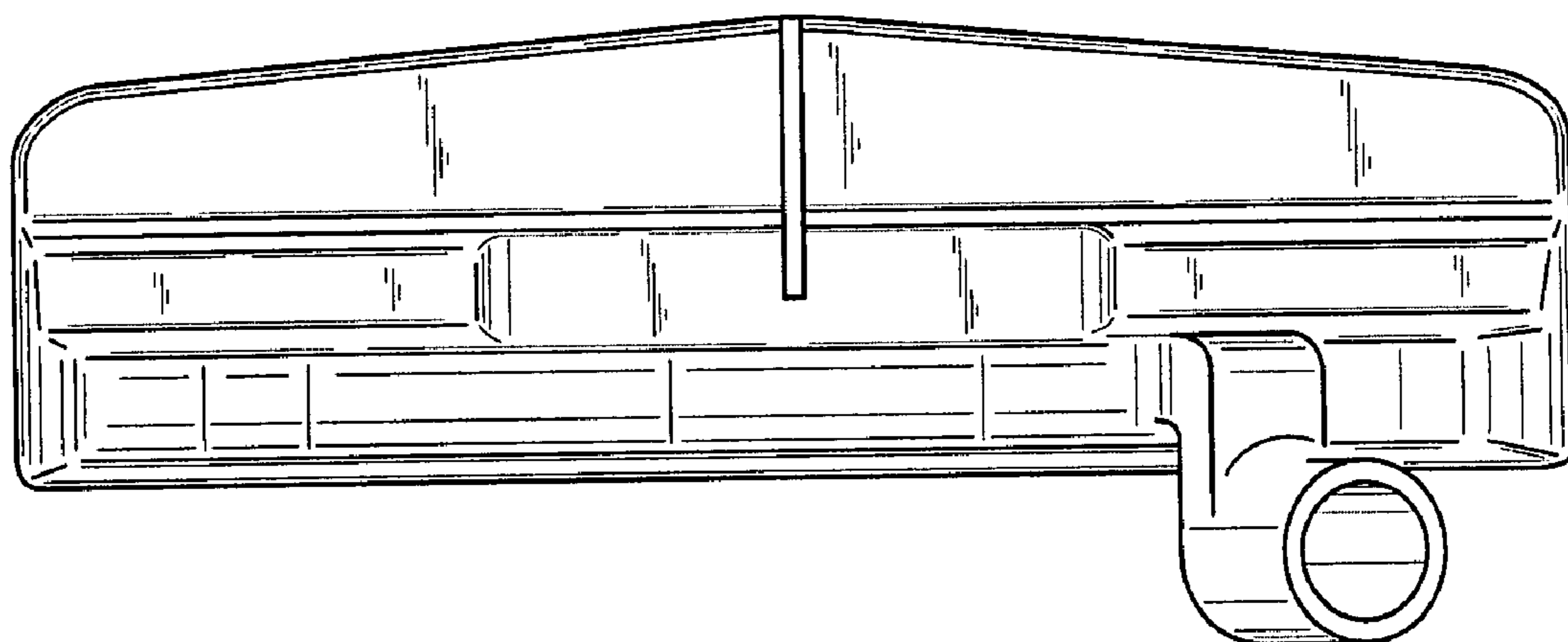


Fig. 3

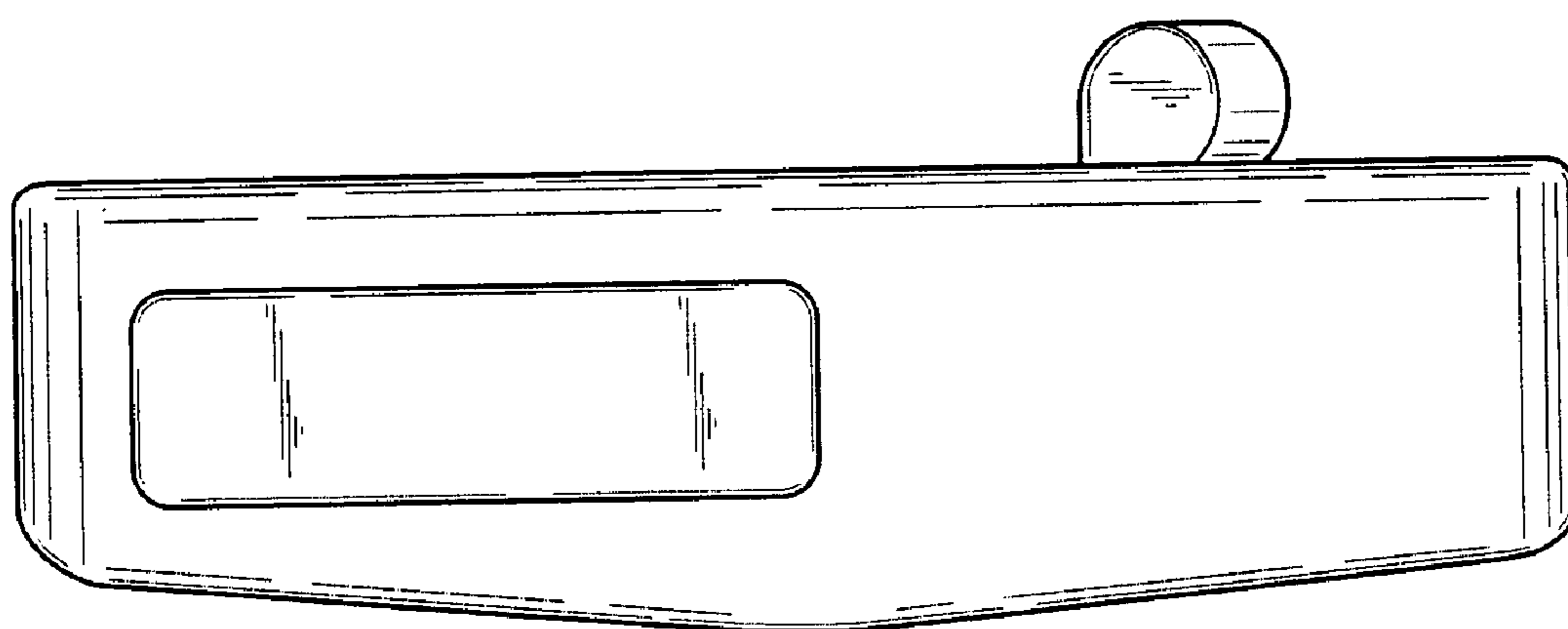


Fig. 4

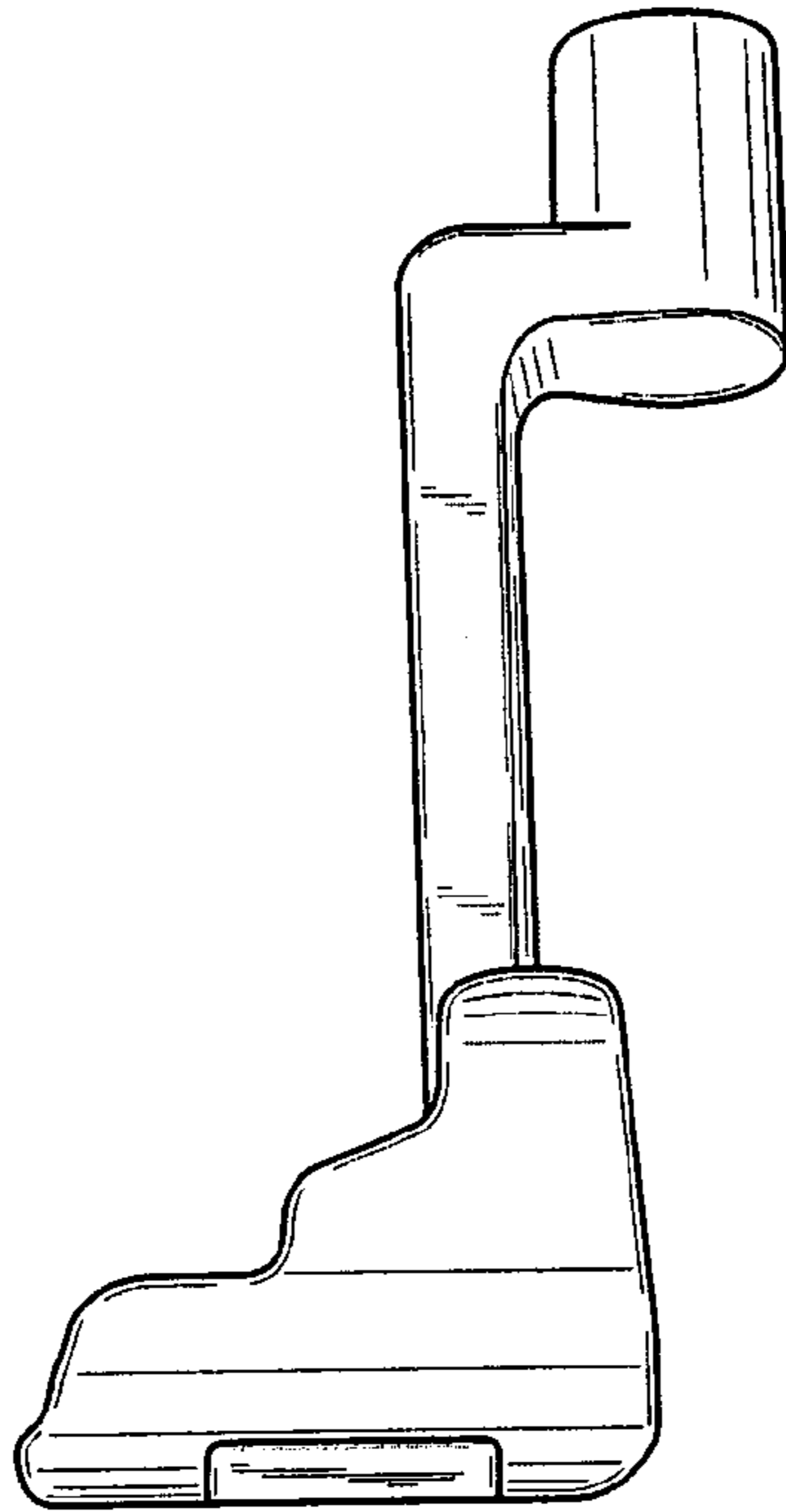


Fig. 5

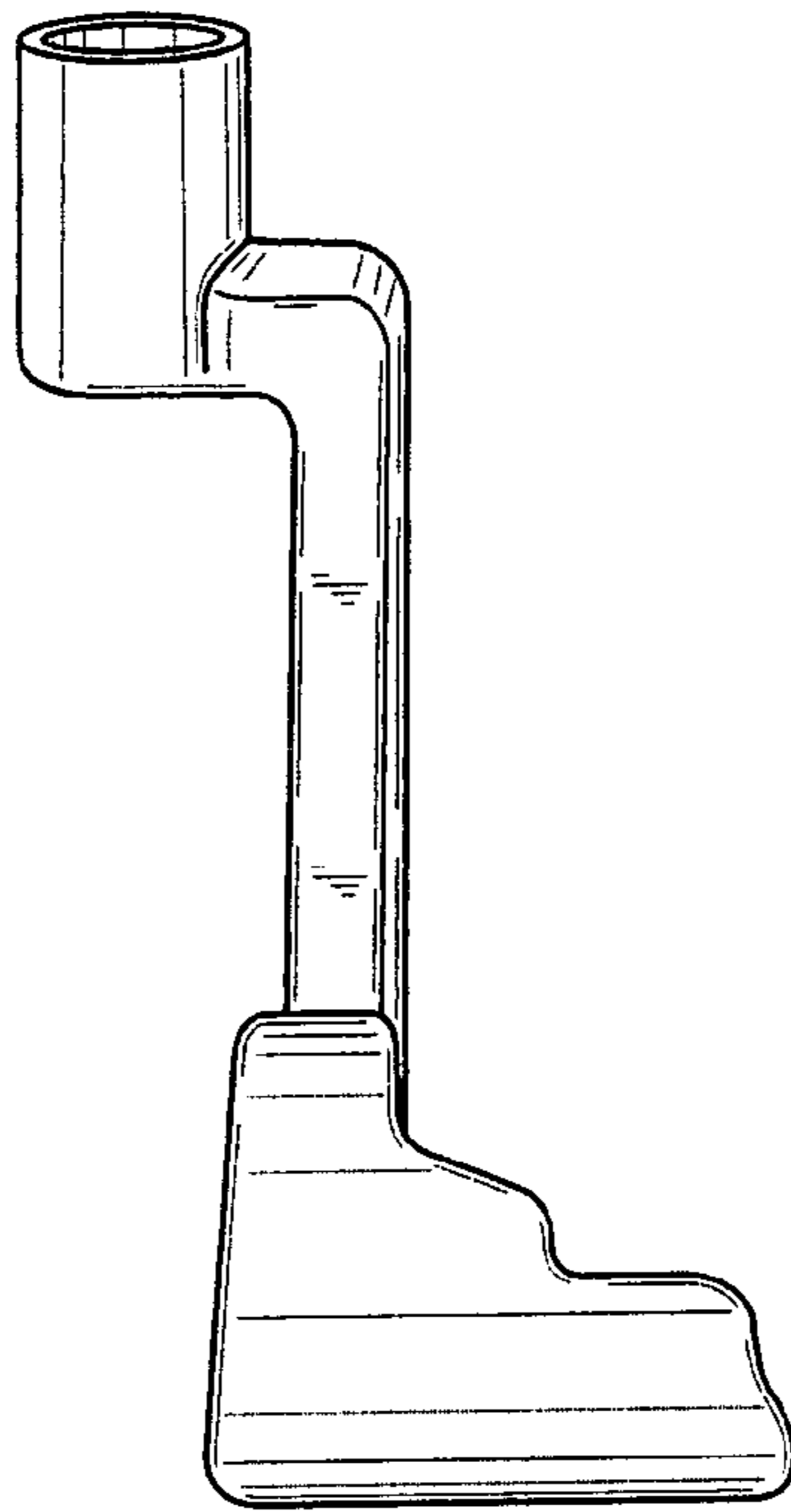


Fig. 6

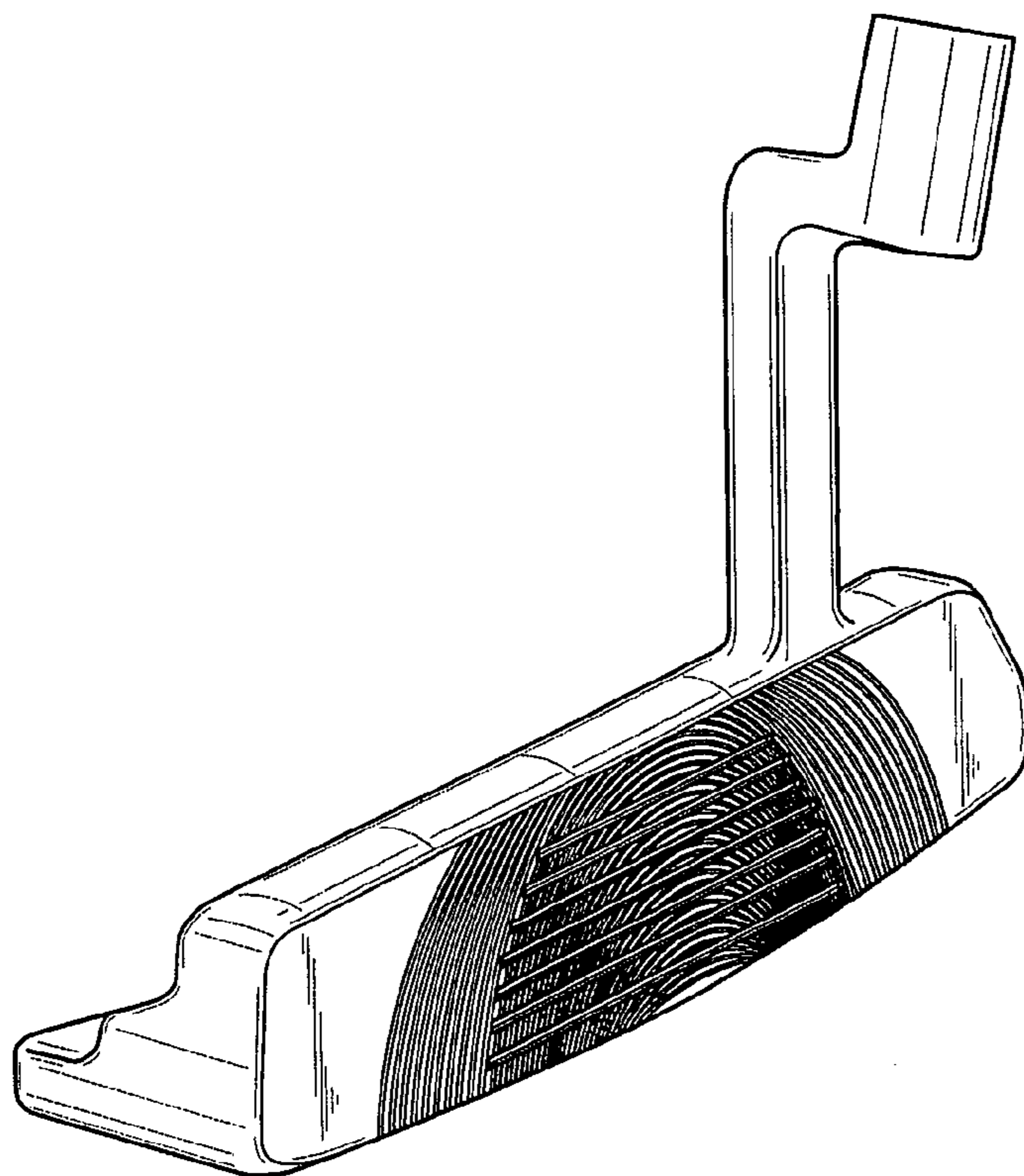


Fig. 7

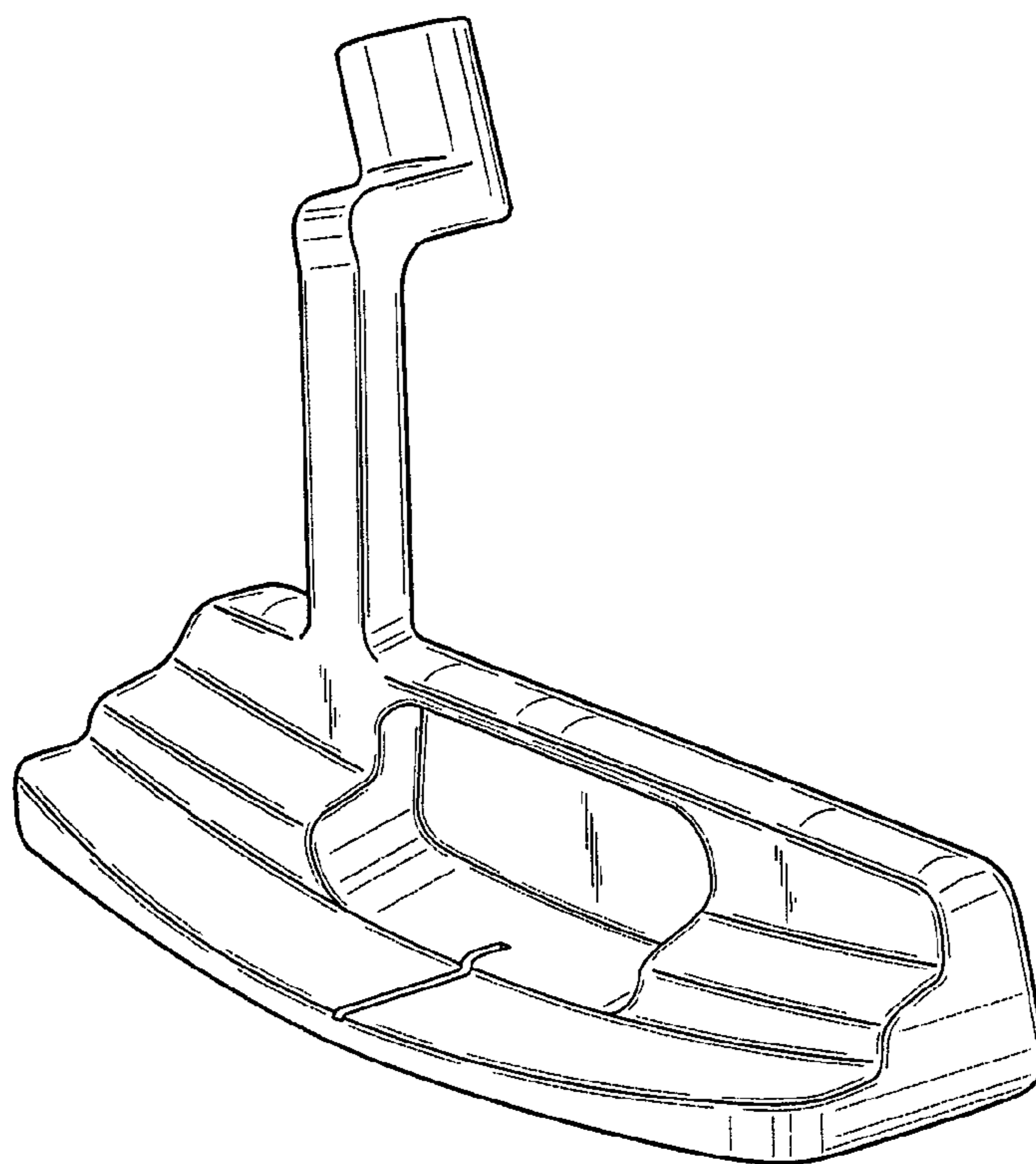


Fig. 8

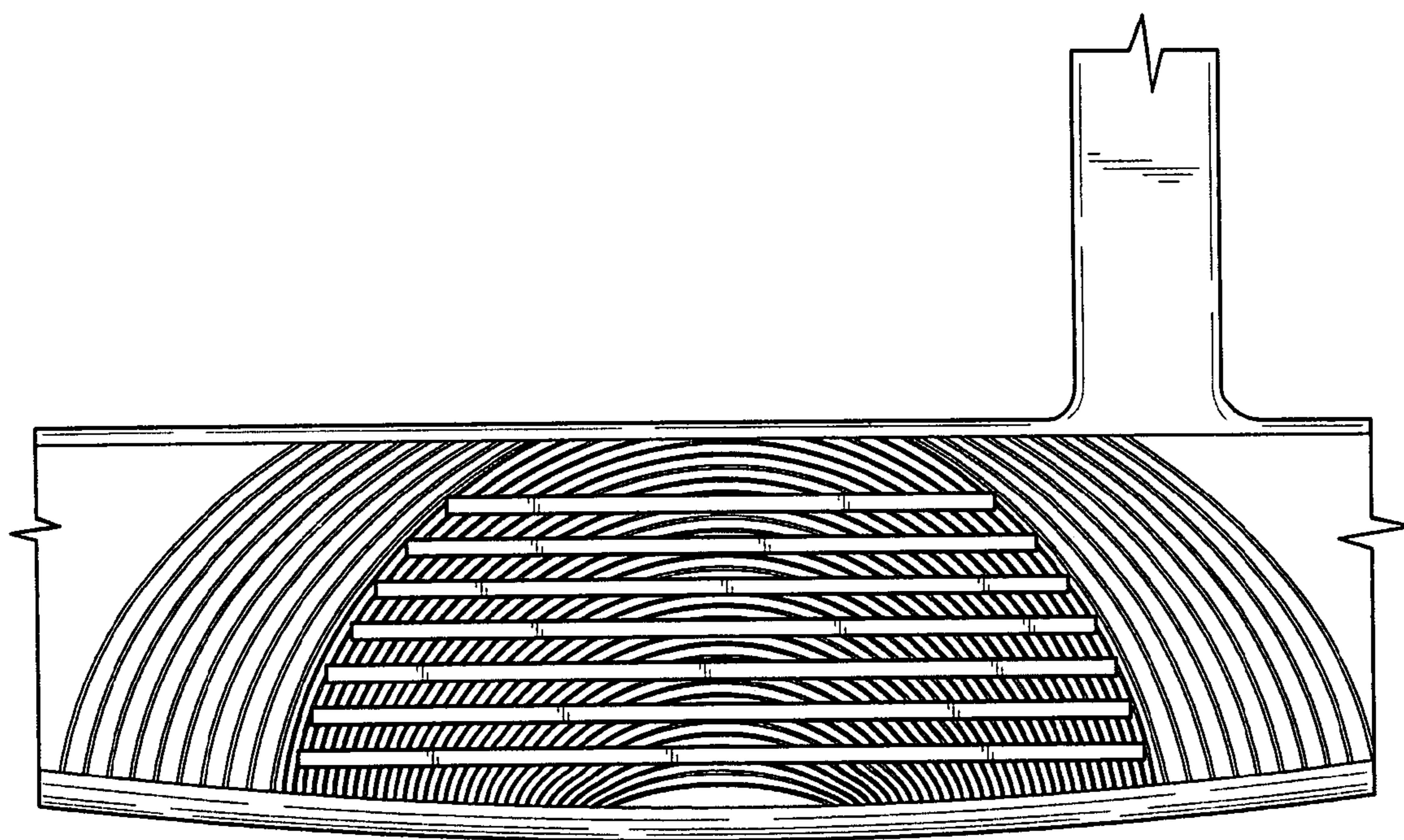


Fig. 9