

US00D570933S

(12) **United States Design Patent**
Kramski

(10) **Patent No.:** **US D570,933 S**

(45) **Date of Patent:** **** Jun. 10, 2008**

(54) **PUTTER BLADE**

(75) Inventor: **Wiestaw Kramski**, Birkenfeld (DE)

(73) Assignee: **Kramski Putter GmbH**, Birkenfeld (DE)

(**) Term: **14 Years**

(21) Appl. No.: **29/278,207**

(22) Filed: **Mar. 22, 2007**

(30) **Foreign Application Priority Data**

Sep. 23, 2006 (EP) 000601539

(51) **LOC (8) Cl.** **21-02**

(52) **U.S. Cl.** **D21/742**

(58) **Field of Classification Search** D21/736-746;
473/324-331, 340-341, 251-256
See application file for complete search history.

(56) **References Cited**

U.S. PATENT DOCUMENTS

D358,187 S *	5/1995	Simonds	D21/738
5,595,385 A *	1/1997	Jablonski	473/295
D378,112 S *	2/1997	Salonica	D21/739
D387,828 S *	12/1997	Reina	D21/746
D388,484 S *	12/1997	English	D21/741
D421,635 S *	3/2000	Whitley	D21/738
D441,820 S *	5/2001	Nicolette et al.	D21/738

D446,562 S *	8/2001	Forzano	D21/736
D450,799 S *	11/2001	Nicolette et al.	D21/736
D468,381 S *	1/2003	Parker	D21/738
D507,319 S	7/2005	Kramski		

FOREIGN PATENT DOCUMENTS

DE 0000100610001 5/2003

* cited by examiner

Primary Examiner—Mitchell I Siegel

(74) *Attorney, Agent, or Firm*—Volpe and Koenig, P.C.

(57) **CLAIM**

The ornamental design for a putter blade, as shown and described.

DESCRIPTION

FIG. 1 is a top-right-back perspective view of a putter blade in accordance with my new design;

FIG. 2 is a bottom-front perspective view thereof;

FIG. 3 is a left side elevational view thereof, with the right side elevation being a mirror image thereof;

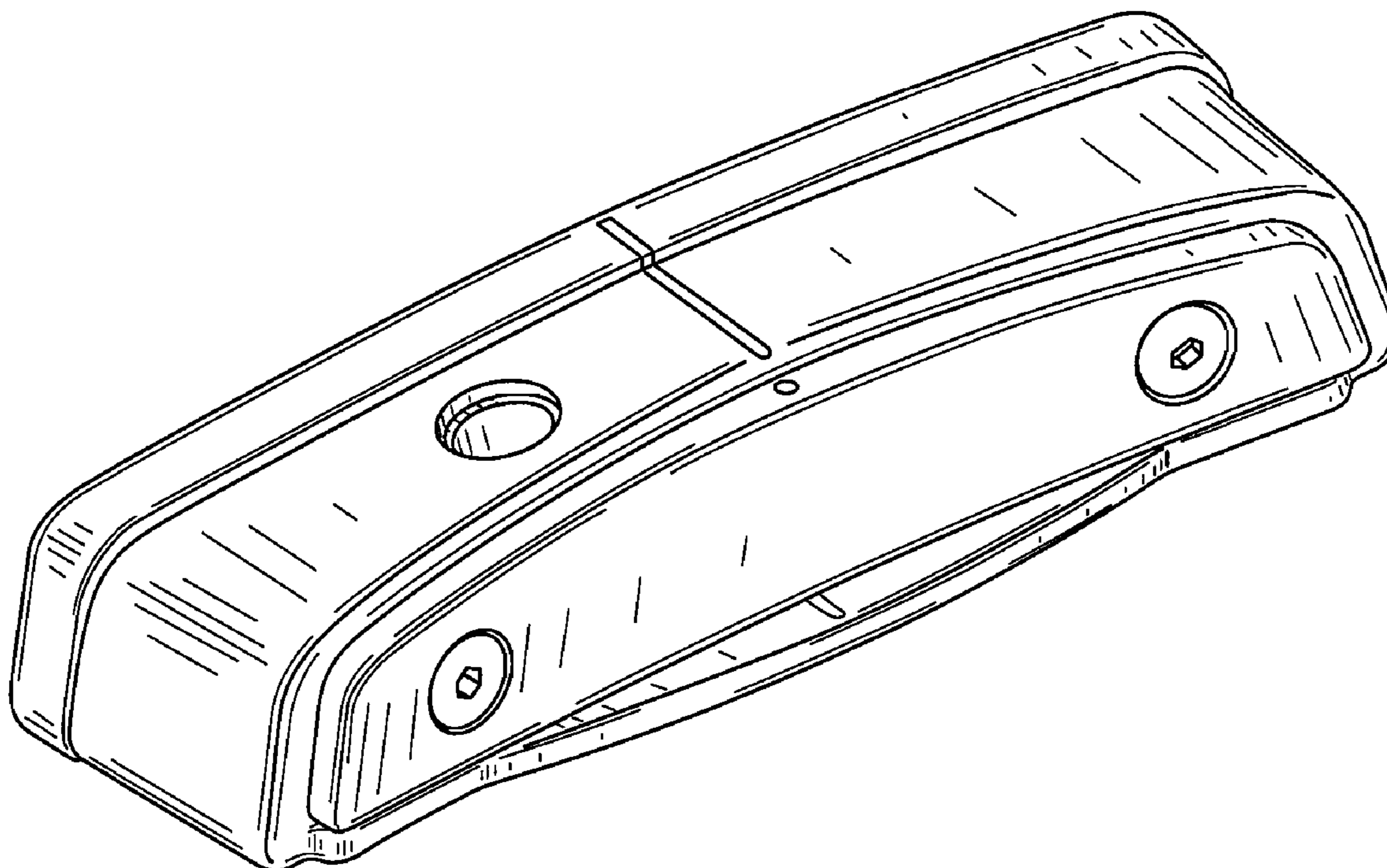
FIG. 4 is a rear elevational view thereof;

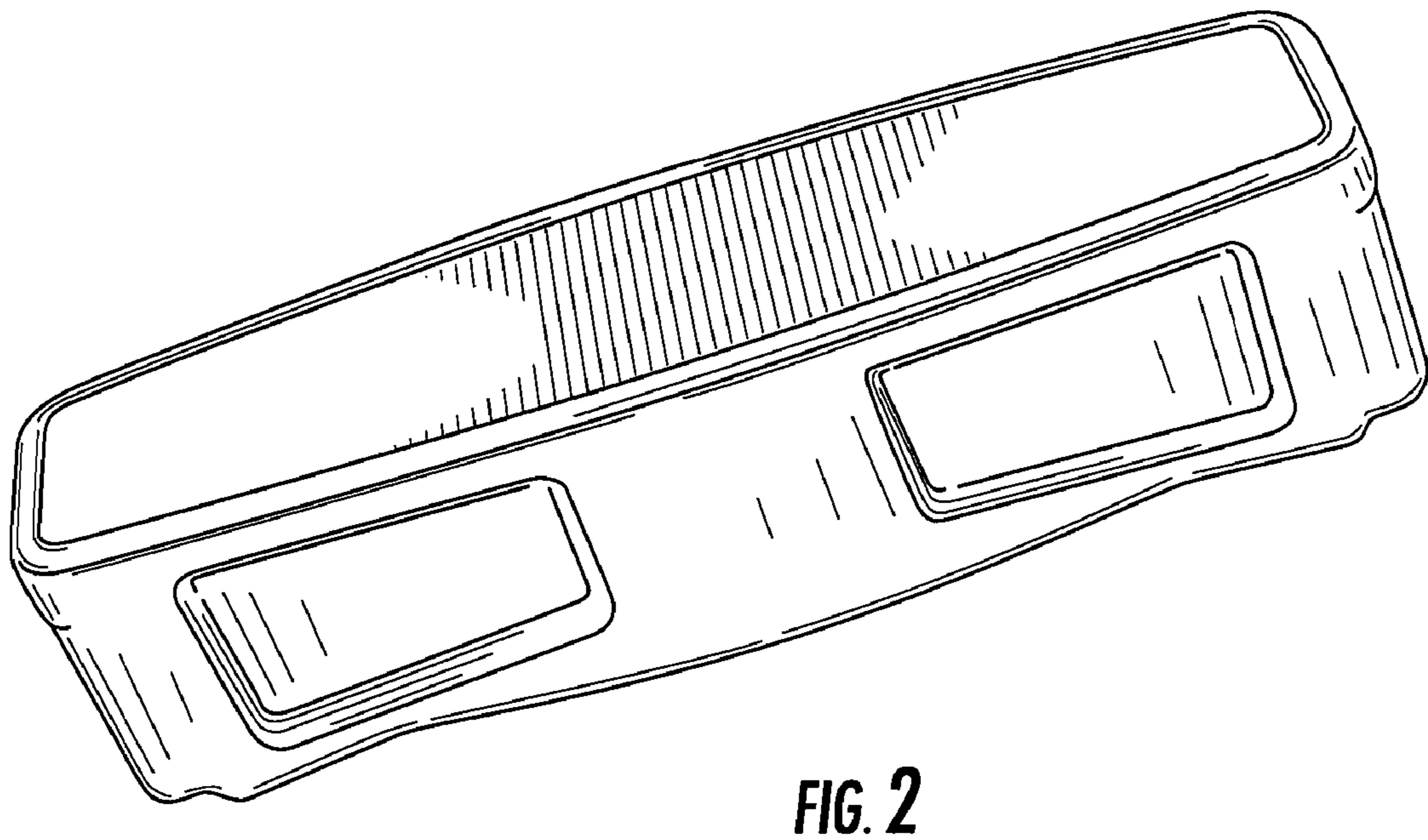
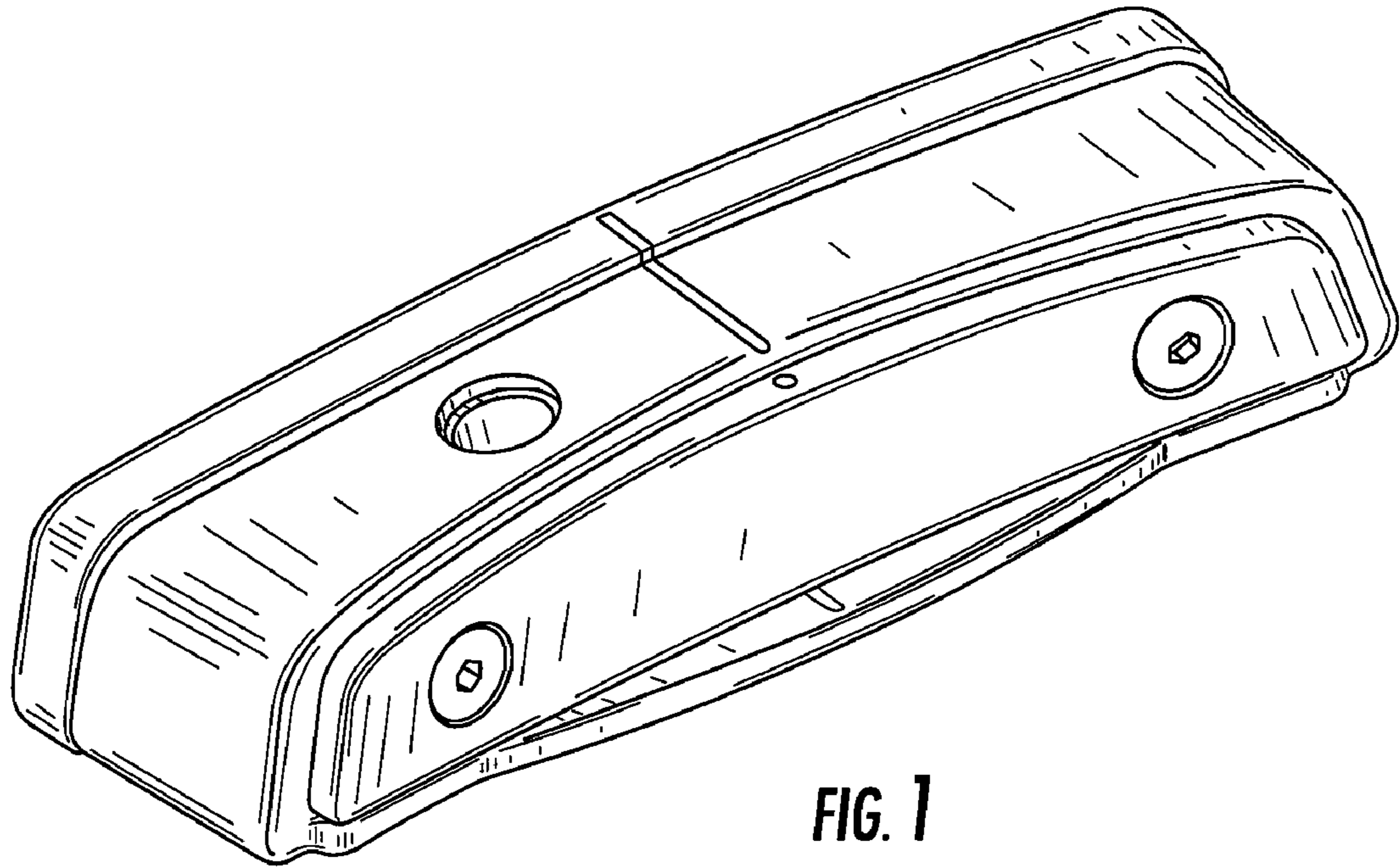
FIG. 5 is a bottom view thereof;

FIG. 6 is a top view thereof; and,

FIG. 7 is a front elevational view thereof.

1 Claim, 3 Drawing Sheets





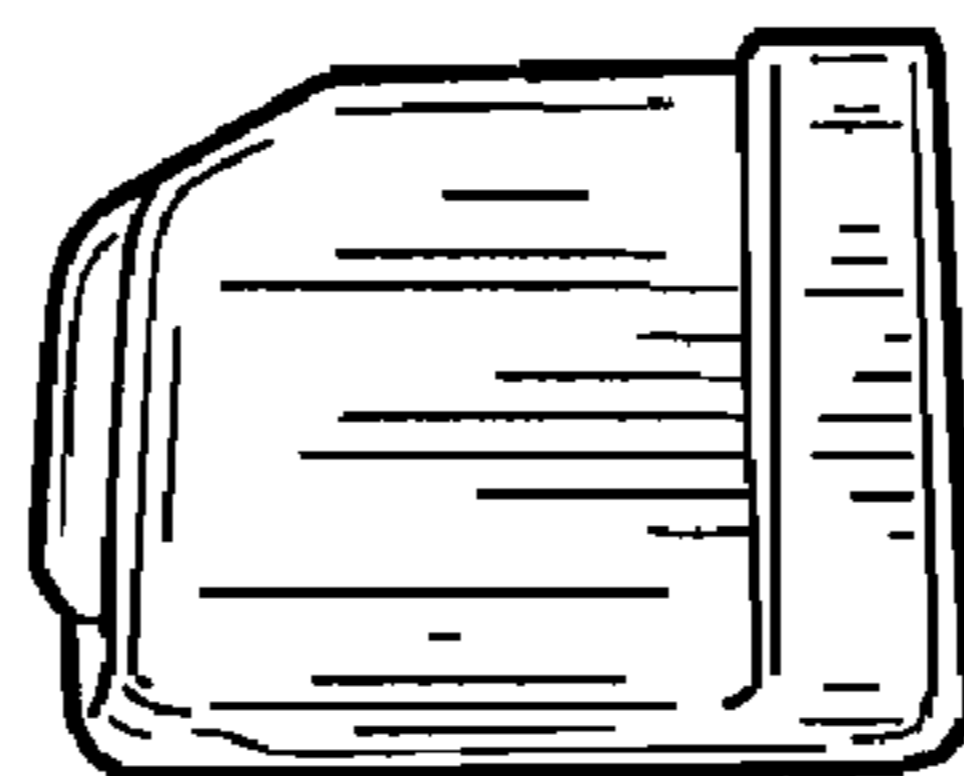


FIG. 3

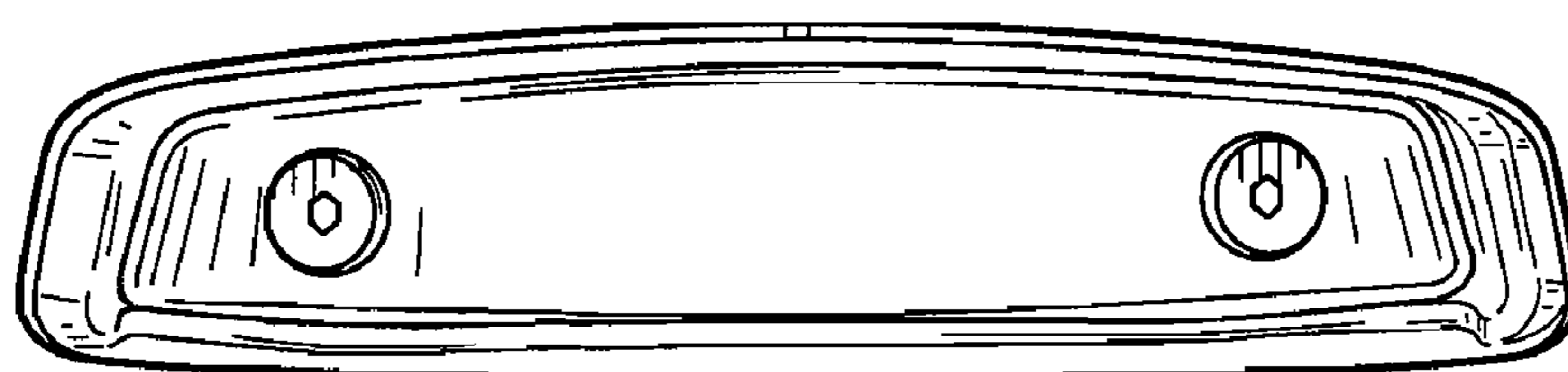


FIG. 4

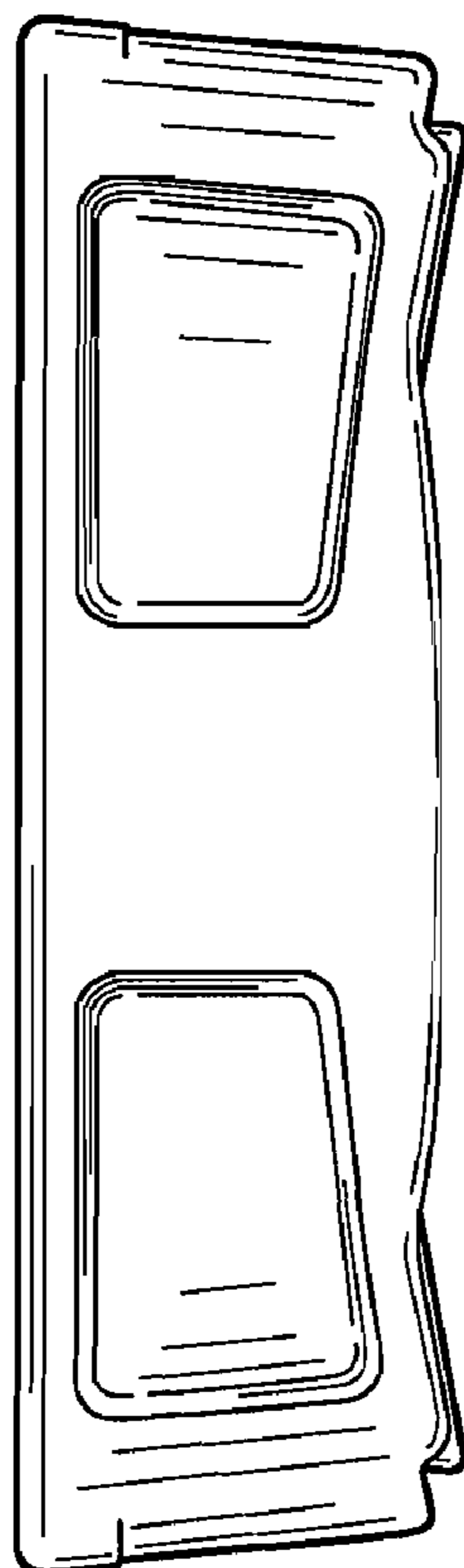


FIG. 5

FIG. 6

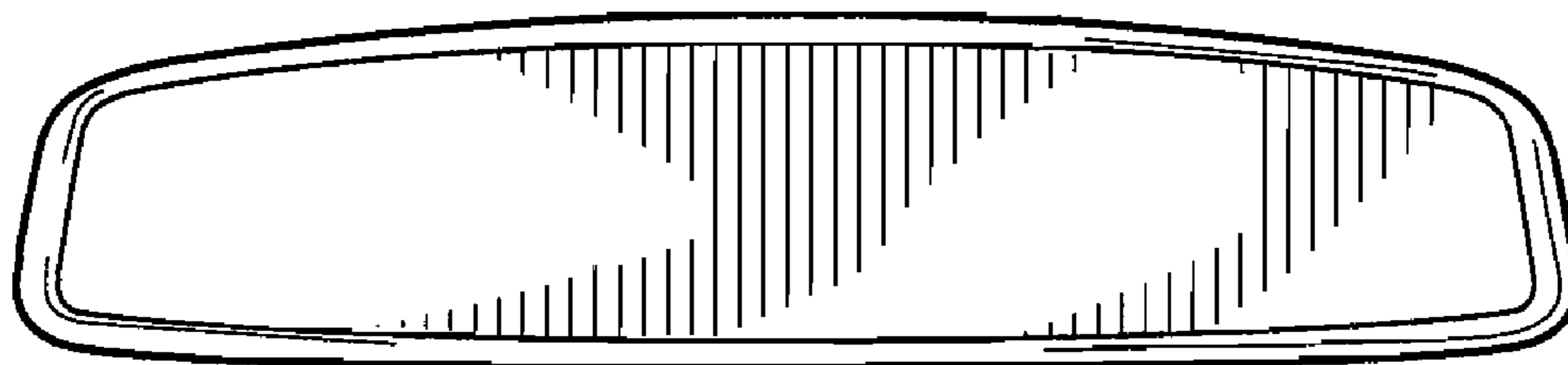
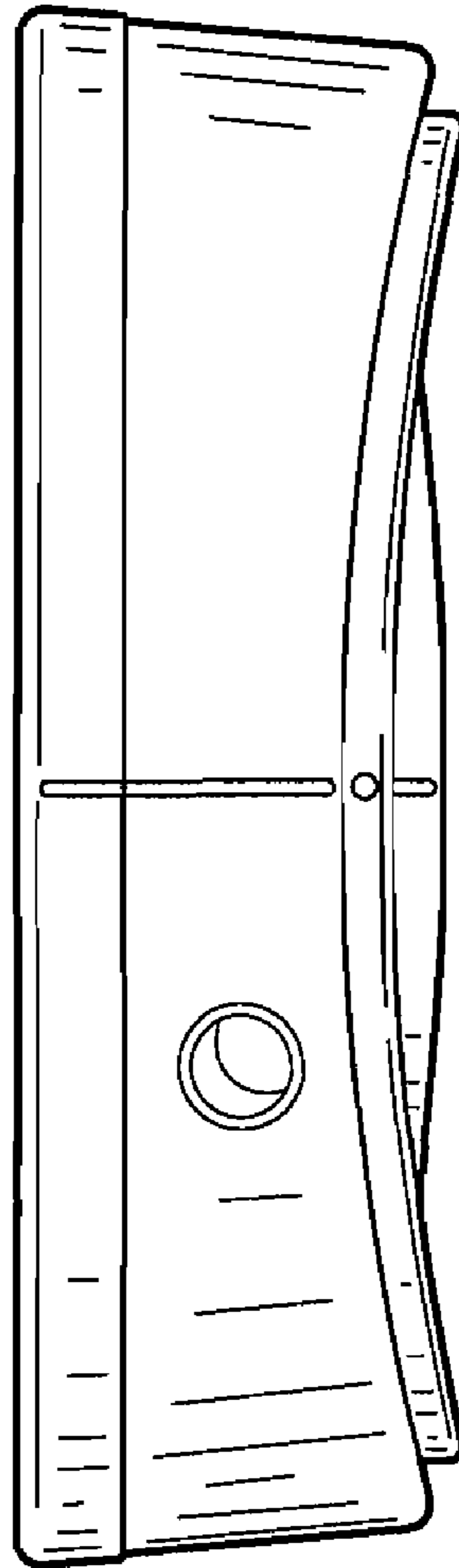


FIG. 7