



US00D570930S

(12) **United States Design Patent**
VanElverdinghe

(10) **Patent No.:** **US D570,930 S**
(45) **Date of Patent:** **** Jun. 10, 2008**

(54) **STRUCTURAL MEMBER FOR A SAFETY ENCLOSURE FOR A RECREATIONAL STRUCTURE**

(75) Inventor: **Jeffry L. VanElverdinghe**, Beaverton, OR (US)

(73) Assignee: **CA06, LLC**, Portland, OR (US)

(**) Term: **14 Years**

(21) Appl. No.: **29/248,046**

(22) Filed: **Jul. 26, 2006**

Related U.S. Application Data

(63) Continuation-in-part of application No. 29/247,684, filed on Jun. 30, 2006, now Pat. No. Des. 555,222.

(51) **LOC (8) Cl.** **21-02**

(52) **U.S. Cl.** **D21/694; D21/671; D21/797**

(58) **Field of Classification Search** D21/797, D21/662, 834, 679; 482/27, 28, 29, 71, 73, 482/35; 280/293, 204; 362/357, 361, 358; 135/127, 114, 136, 124; D30/118; 16/430; 248/465.1, 107, 112, 153, 175, 302, 303
See application file for complete search history.

(56) **References Cited**

U.S. PATENT DOCUMENTS

3,201,126	A	8/1965	Nissen	
3,339,925	A	9/1967	Nissen	
4,433,838	A	2/1984	Gordon	
4,453,558	A *	6/1984	Ochs et al.	135/121
4,569,515	A	2/1986	Gordon	
4,900,011	A	2/1990	Nolet	
5,331,777	A *	7/1994	Chi-Yuan	52/64
5,399,132	A	3/1995	Bailey	
5,532,912	A *	7/1996	Bendit	362/352
D382,618	S	8/1997	Gift	
5,941,798	A *	8/1999	Coan et al.	482/27
6,053,845	A	4/2000	Publicover et al.	
6,261,207	B1	7/2001	Publicover et al.	
6,336,893	B1 *	1/2002	Chen	482/29
6,572,429	B2 *	6/2003	Cheung	446/120
6,607,468	B1 *	8/2003	Nichols et al.	482/27

6,638,199	B2 *	10/2003	Annesi et al.	482/27
6,679,811	B2 *	1/2004	Chen	482/29
6,709,134	B2 *	3/2004	Wu	362/352
6,973,687	B1 *	12/2005	Tseng	5/127
D537,892	S *	3/2007	Moses	D21/662
2002/0096857	A1 *	7/2002	Valdez et al.	280/293
2003/0104905	A1 *	6/2003	Publicover	482/27
2005/0079954	A1	4/2005	Wang et al.	
2005/0143225	A1	6/2005	Adams	
2006/0128529	A1	6/2006	Adams	
2006/0189442	A1 *	8/2006	Publicover	482/27
2006/0270525	A1 *	11/2006	Colling	482/27

OTHER PUBLICATIONS

SpringFree Product Tour, <http://www.springfreetrampoline.com/tour.html>, download Jul. 13, 2006.

* cited by examiner

Primary Examiner—Philip S Hyder

(74) *Attorney, Agent, or Firm*—Joseph P. Curtin, L.L.C.

(57) **CLAIM**

I claim the ornamental design for a structural member for a safety enclosure for a recreational structure, as shown and described.

DESCRIPTION

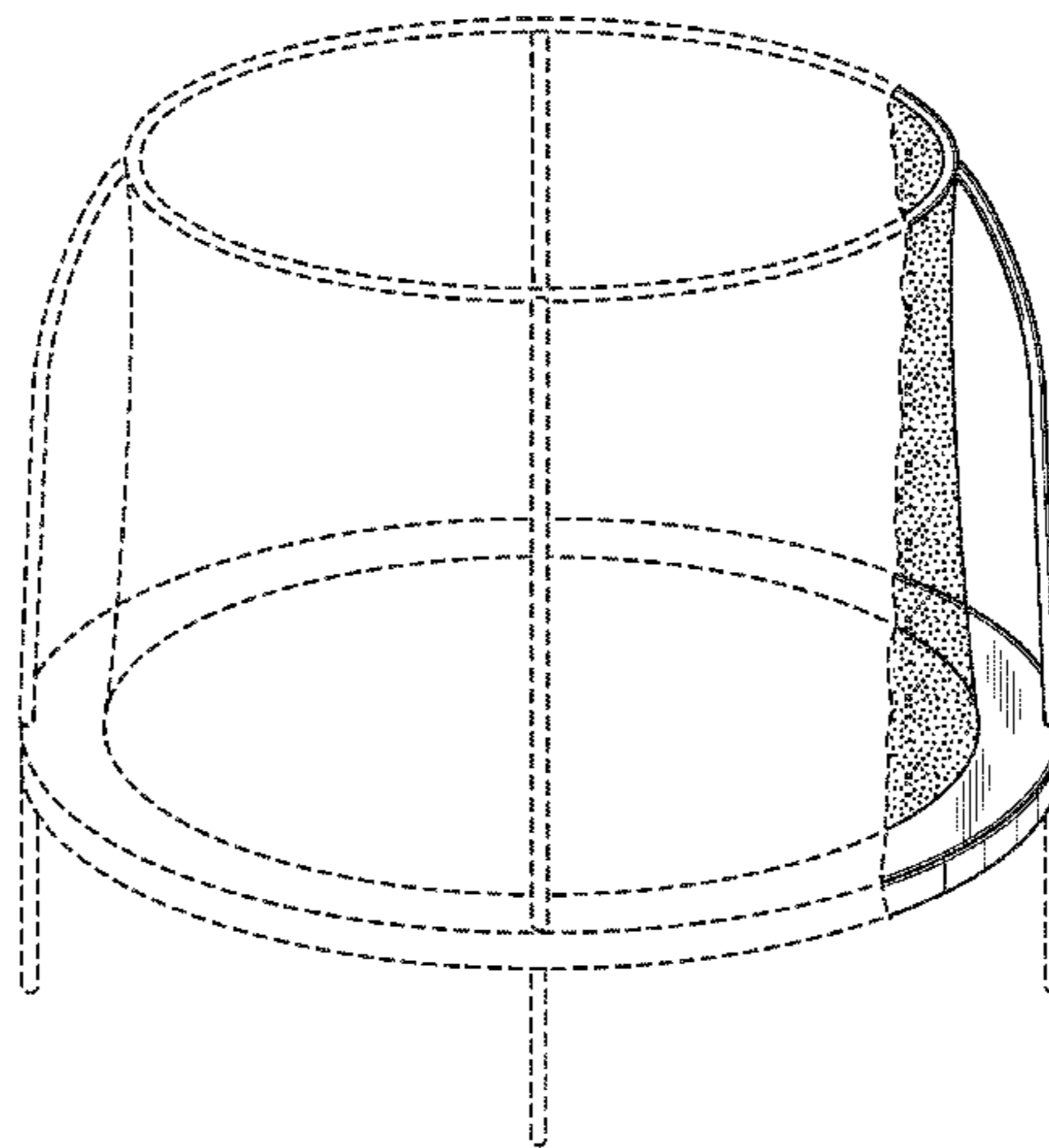
FIG. 1 is a perspective side view of a structural member for a safety enclosure for a recreational structure according to the subject matter disclosed herein;

FIG. 2 is a top view of a structural member for a safety enclosure for a recreational structure according to the subject matter disclosed herein; and,

FIG. 3 is a side view of structural member for a safety enclosure for a recreational structure according to the subject matter disclosed herein.

The ornamental design, which is claimed, is shown in solid lines in the drawings. The broken lines in the drawings are for illustrative purposes only and form no part of the claimed design.

1 Claim, 2 Drawing Sheets



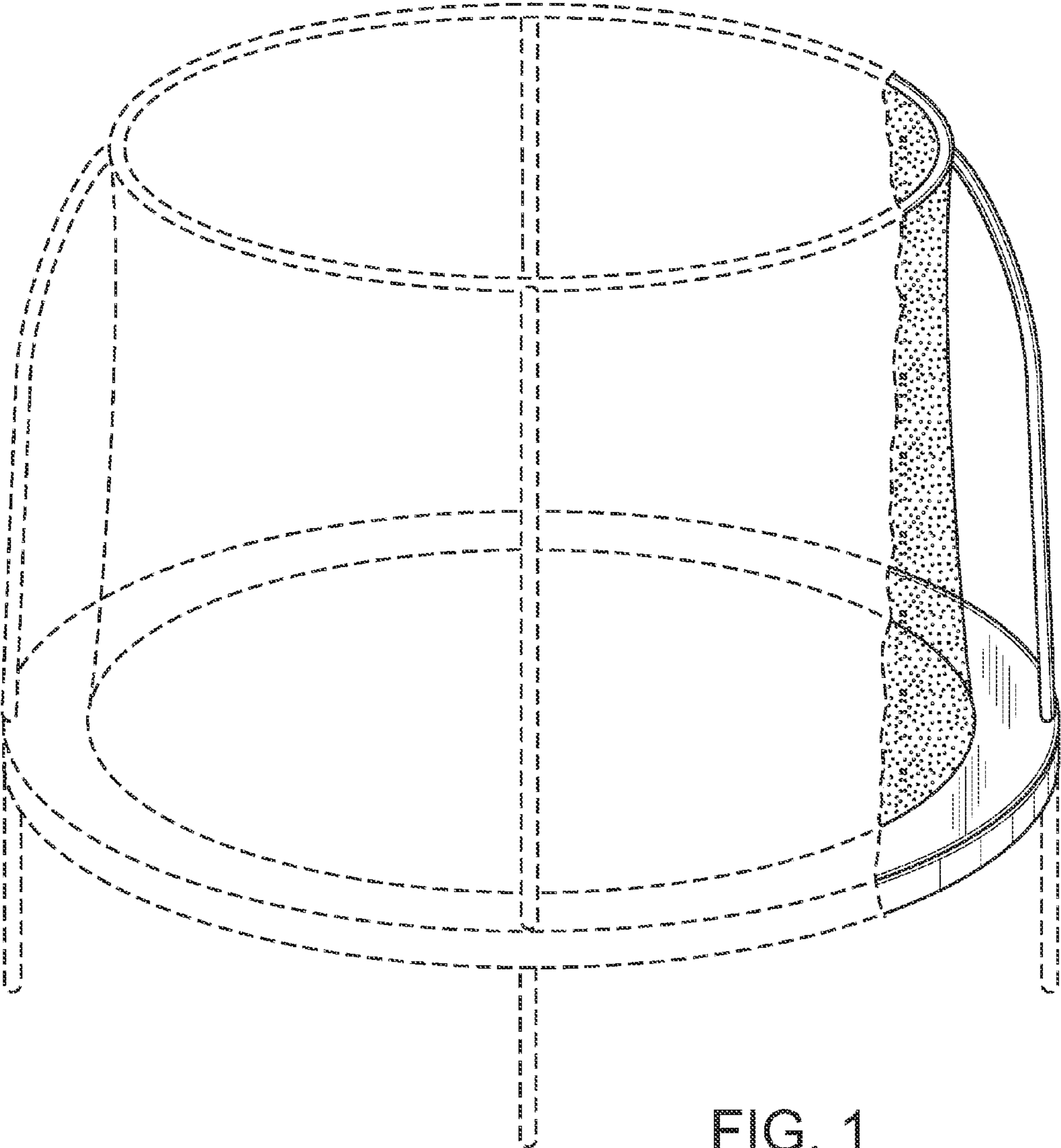


FIG. 1

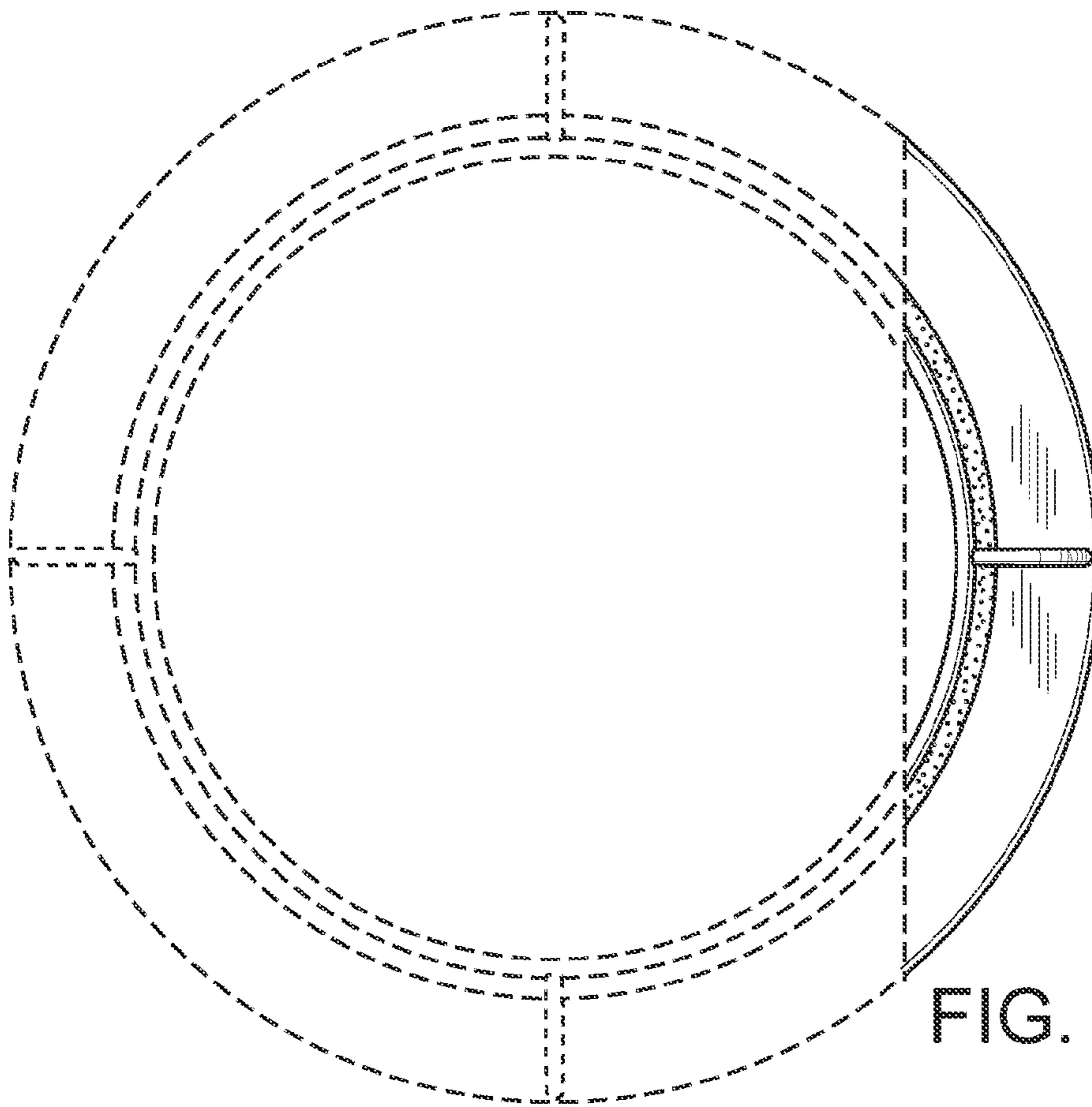


FIG. 2

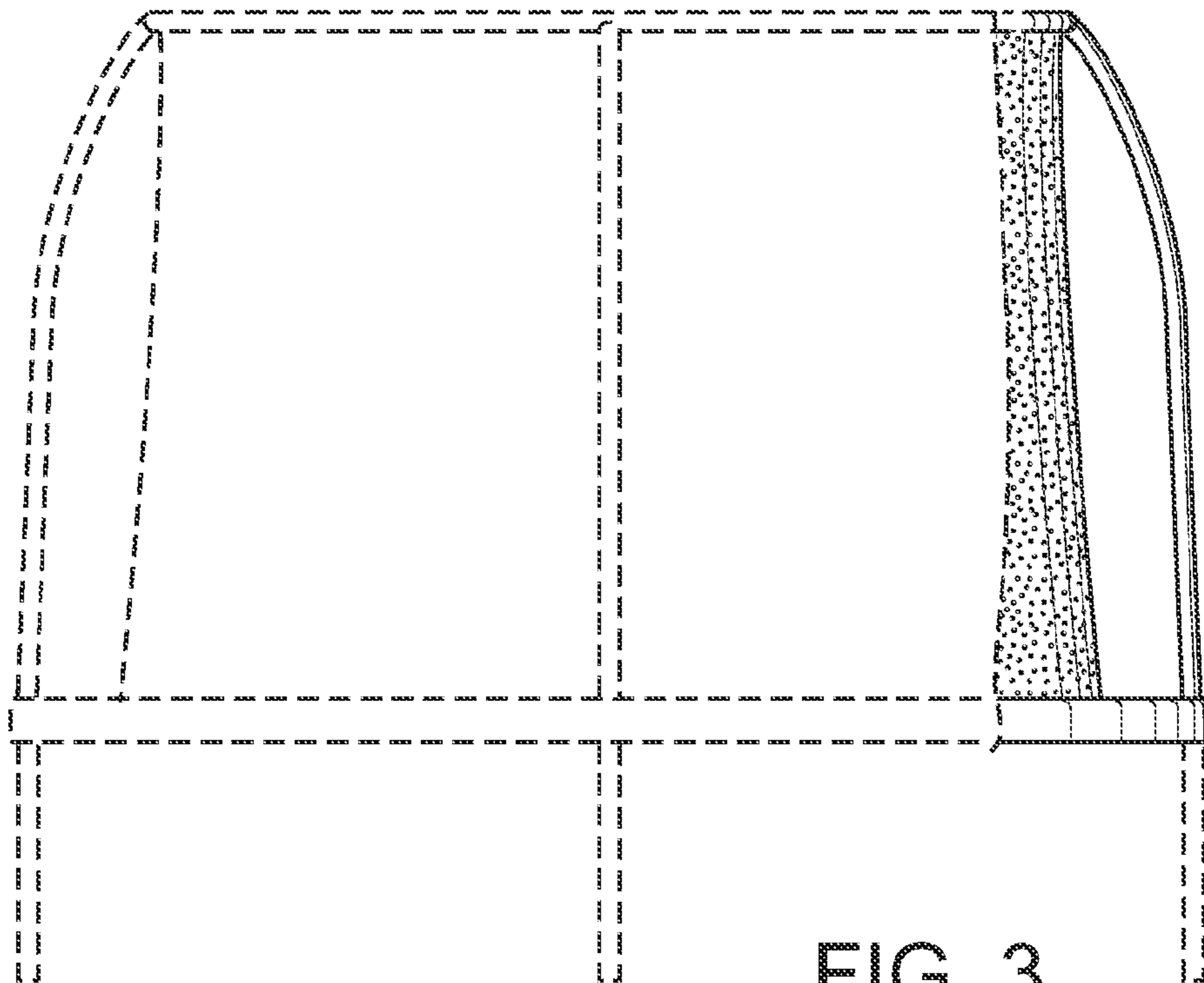


FIG. 3