

US00D570925S

(12) **United States Design Patent**
Wu

(10) **Patent No.:** **US D570,925 S**
(45) **Date of Patent:** **** Jun. 10, 2008**

(54) **TOY HANDGUN**

(75) Inventor: **Chih-Wen Wu**, Taipei County (TW)

(73) Assignee: **Keymore International Co., Ltd.**,
Taipei County (TW)

(**) Term: **14 Years**

(21) Appl. No.: **29/274,448**

(22) Filed: **Apr. 24, 2007**

(51) **LOC (8) Cl.** **21-01**

(52) **U.S. Cl.** **D21/574**

(58) **Field of Classification Search** D21/567,
D21/570-575; D22/100, 101, 103, 104,
D22/108, 109; 124/41.1, 45, 49, 51.1, 55,
124/56, 69, 70-74, 79; 42/54, 57, 58
See application file for complete search history.

(56) **References Cited**

U.S. PATENT DOCUMENTS

- D359,098 S * 6/1995 Stevens D22/104
- D376,831 S * 12/1996 Resuggan D22/104
- D387,842 S * 12/1997 Kaminski et al. D22/104
- D464,702 S * 10/2002 Mauch et al. D22/104
- 6,694,658 B1 * 2/2004 Marsac 42/54

- D503,207 S * 3/2005 Salva D22/104
- D505,476 S * 5/2005 McGarry D22/104
- D516,661 S * 3/2006 McGarry D22/104
- D559,337 S * 1/2008 Wang D21/574

* cited by examiner

Primary Examiner—Holly H. Baynham

Assistant Examiner—Cynthia M. Chin

(74) *Attorney, Agent, or Firm*—Troxell Law Office, PLLC

(57) **CLAIM**

The ornamental design for a toy handgun, as shown and described.

DESCRIPTION

- FIG. 1 is a perspective view of a toy handgun;
- FIG. 2 is a front view thereof;
- FIG. 3 is a back view thereof;
- FIG. 4 is a left side view thereof;
- FIG. 5 is a right side view thereof;
- FIG. 6 is a top view thereof; and,
- FIG. 7 is a bottom view thereof.

1 Claim, 7 Drawing Sheets





FIG. 1

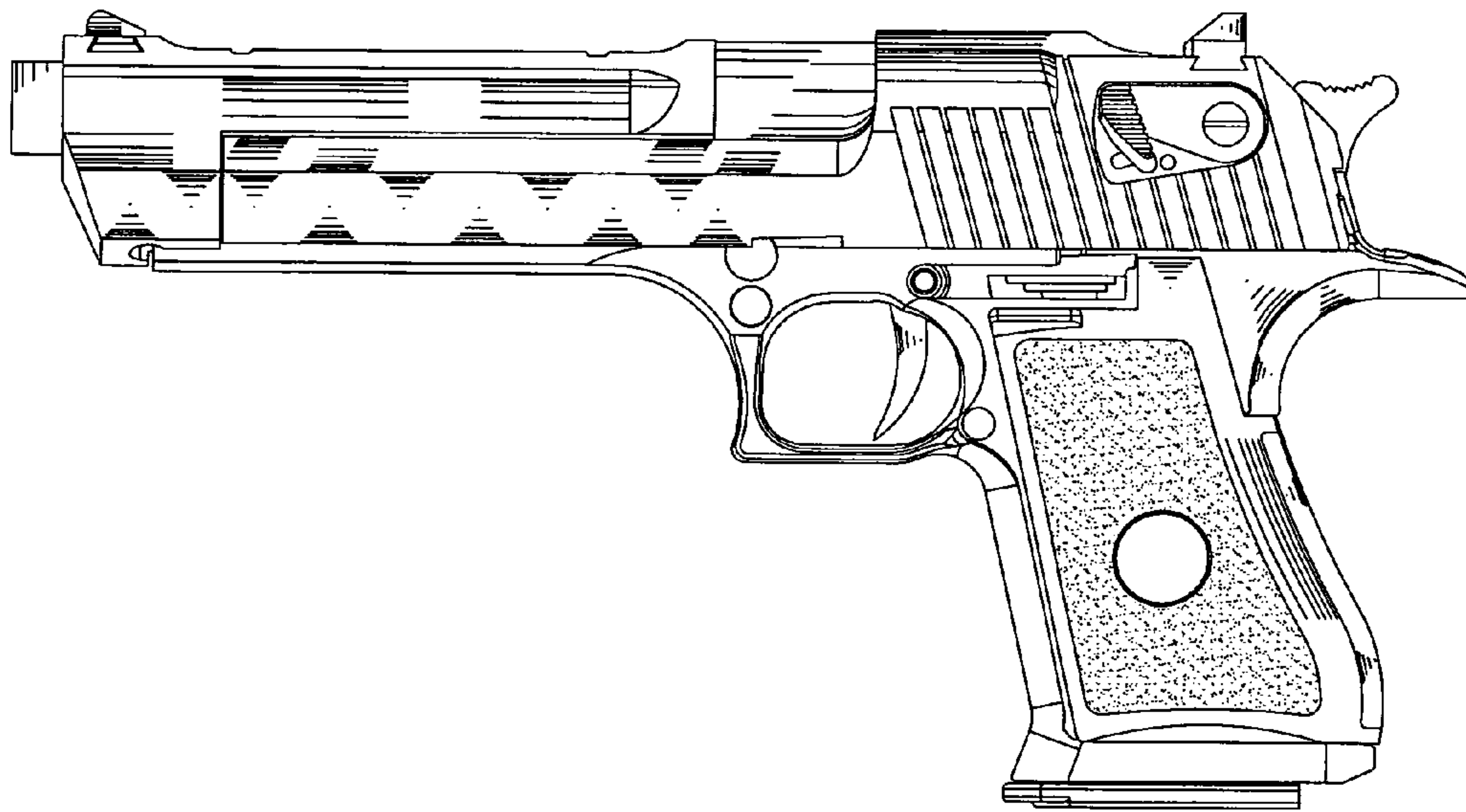


FIG. 2

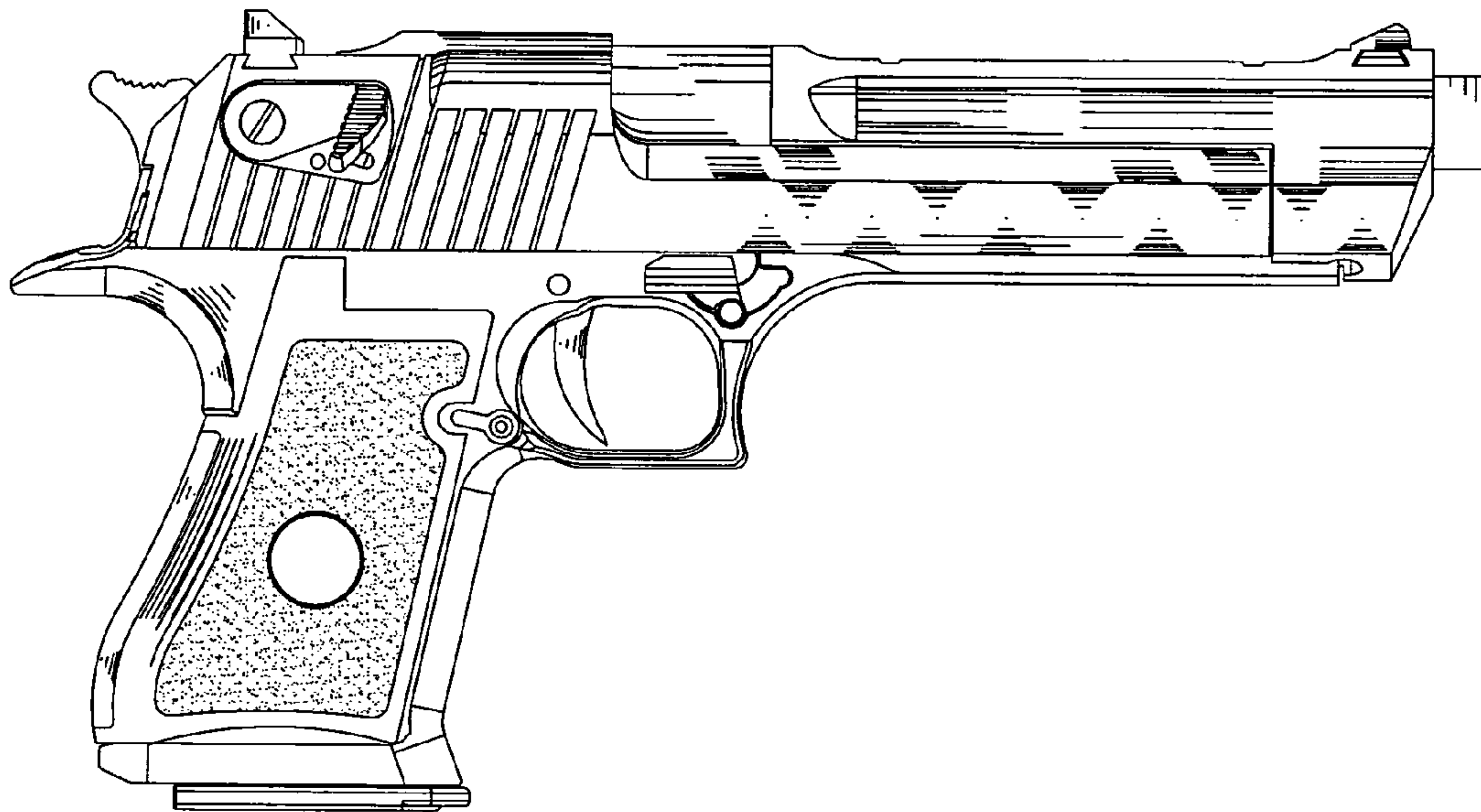


FIG. 3

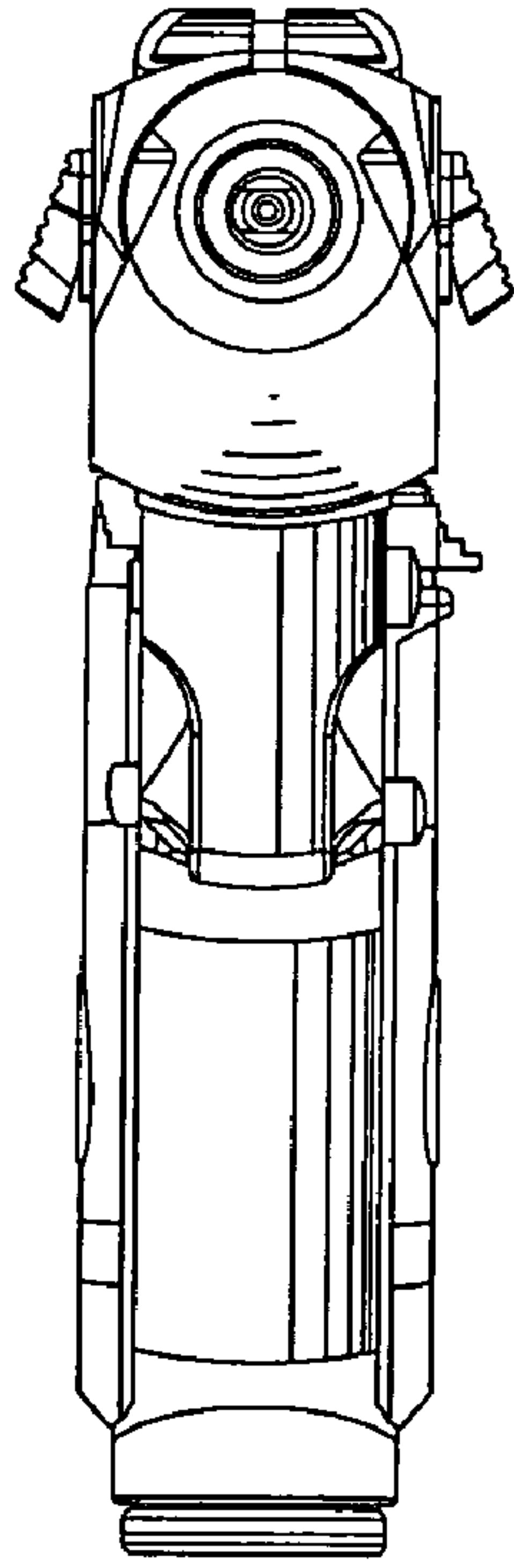


FIG. 4

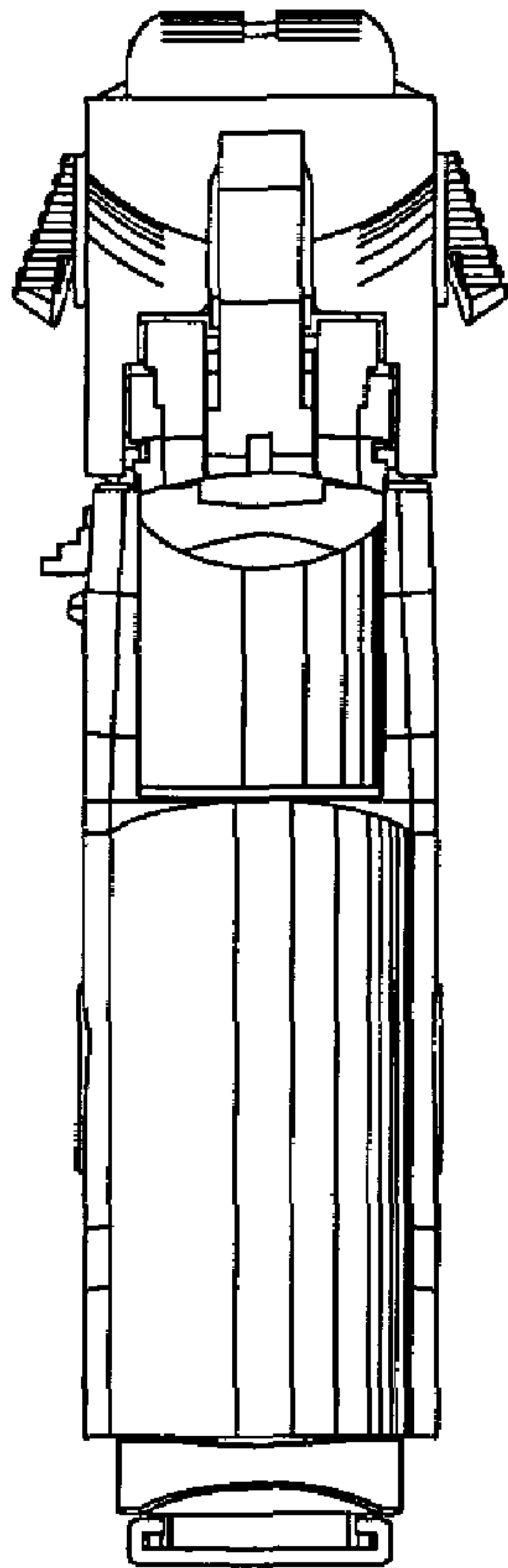


FIG. 5

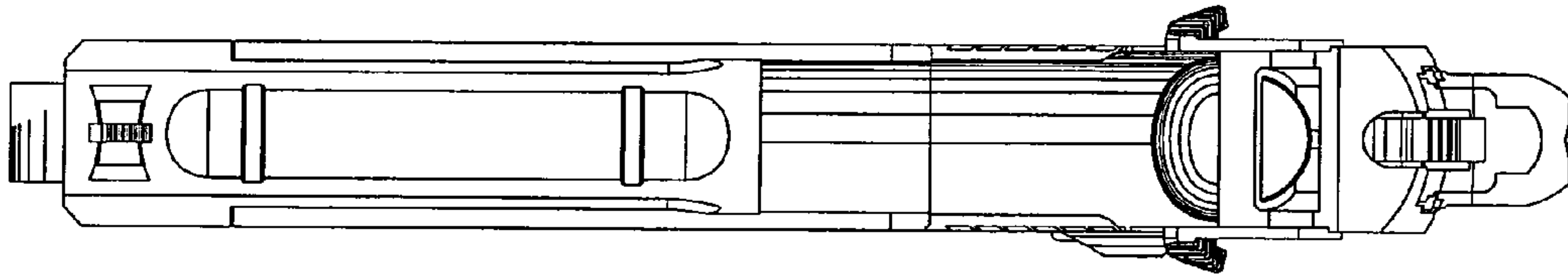


FIG. 6

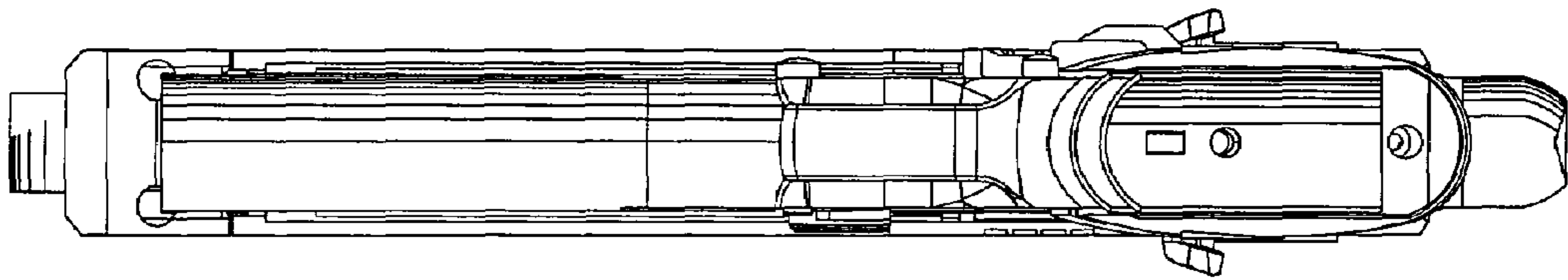


FIG. 7