

US00D570924S

(12) **United States Design Patent**
Wai

(10) **Patent No.:** **US D570,924 S**
(45) **Date of Patent:** **** Jun. 10, 2008**

(54) **REMOTE CONTROL**

(75) **Inventor:** **Chi Pok Billy Wai**, Causeway Bay
(HK)

(73) **Assignee:** **Silverlit Toys Manufactory, Ltd.**,
Hong Kong (HK)

(**) **Term:** **14 Years**

(21) **Appl. No.:** **29/296,629**

(22) **Filed:** **Oct. 24, 2007**

(51) **LOC (8) Cl.** **21-01**

(52) **U.S. Cl.** **D21/566**

(58) **Field of Classification Search** D21/324,
D21/333, 566; D14/400, 401, 454, 217,
D14/218, 358, 155; D13/168; 446/454-456;
463/6, 7, 37, 38, 39, 46, 47
See application file for complete search history.

(56) **References Cited**

U.S. PATENT DOCUMENTS

D322,103 S * 12/1991 Kohno D21/566
D374,694 S * 10/1996 Arai D21/566
6,620,022 B1 * 9/2003 Smith et al. 446/454

D516,136 S * 2/2006 Yuen D21/566
D517,129 S * 3/2006 Yamamoto et al. D21/566
D519,468 S * 4/2006 Khasminsky D13/168
2003/0114075 A1 * 6/2003 Moll et al. 446/456

* cited by examiner

Primary Examiner—Holly H. Baynham

Assistant Examiner—Cynthia M Chin

(74) *Attorney, Agent, or Firm*—Greenberg Traurig, LLP

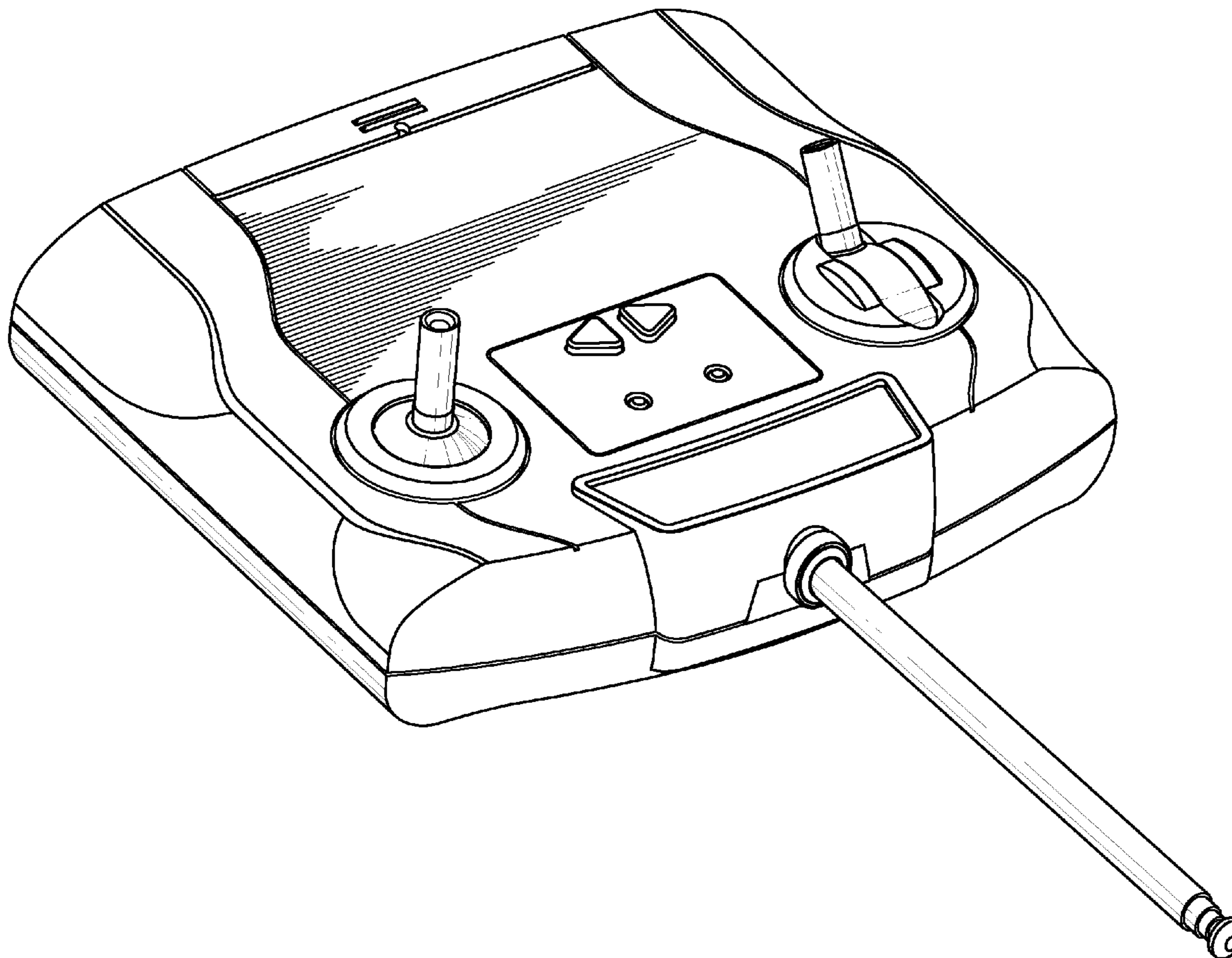
(57) **CLAIM**

The ornamental design for a remote control, as shown and described.

DESCRIPTION

FIG. 1 is a perspective view of a remote control;
FIG. 2 is a top view of a remote control;
FIG. 3 is an under view of a remote control;
FIG. 4 is a front view of a remote control;
FIG. 5 is a rear view of a remote control;
FIG. 6 is a side view of a remote control; and,
FIG. 7 is an opposite side view of a remote control.

1 Claim, 5 Drawing Sheets



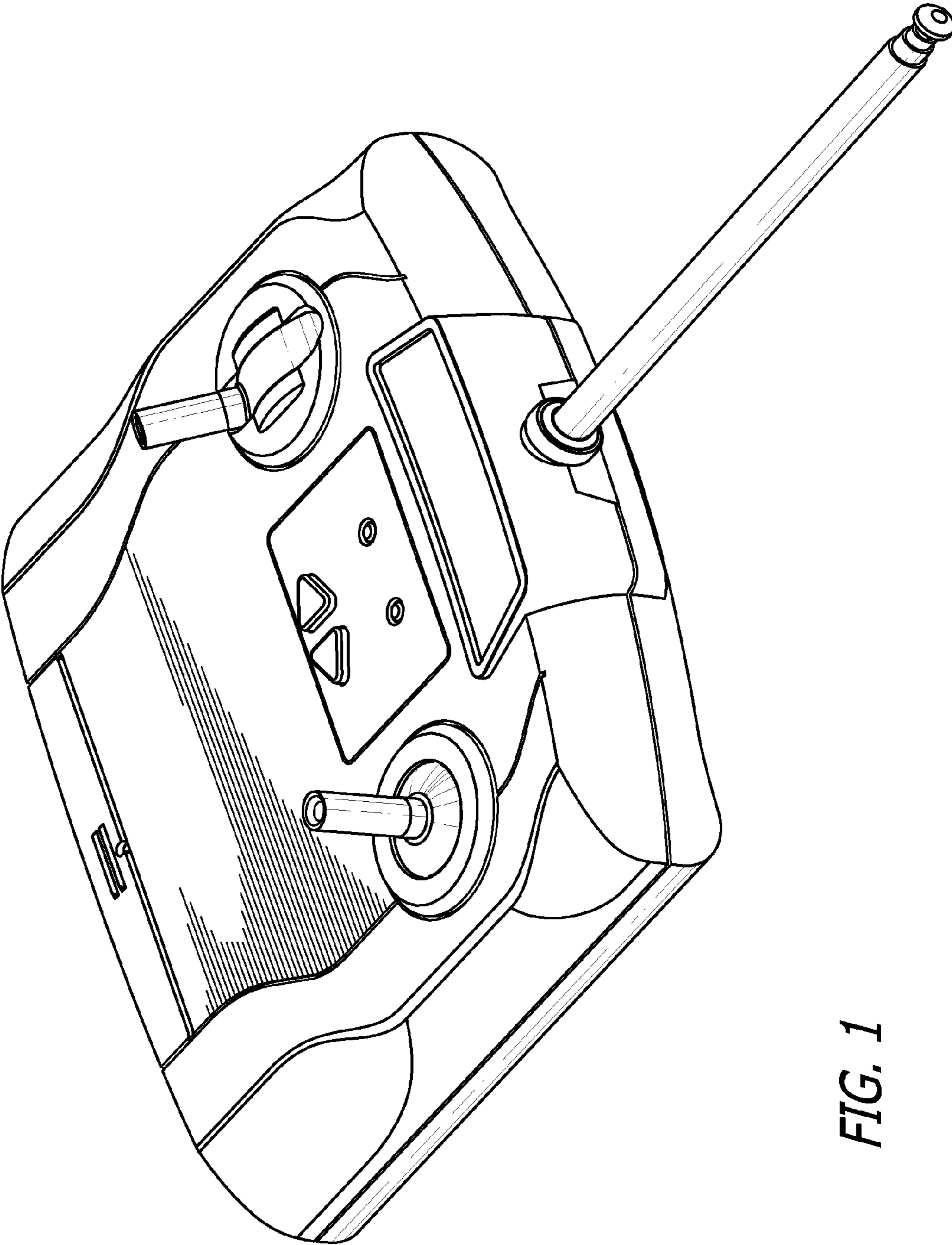


FIG. 1

FIG. 2

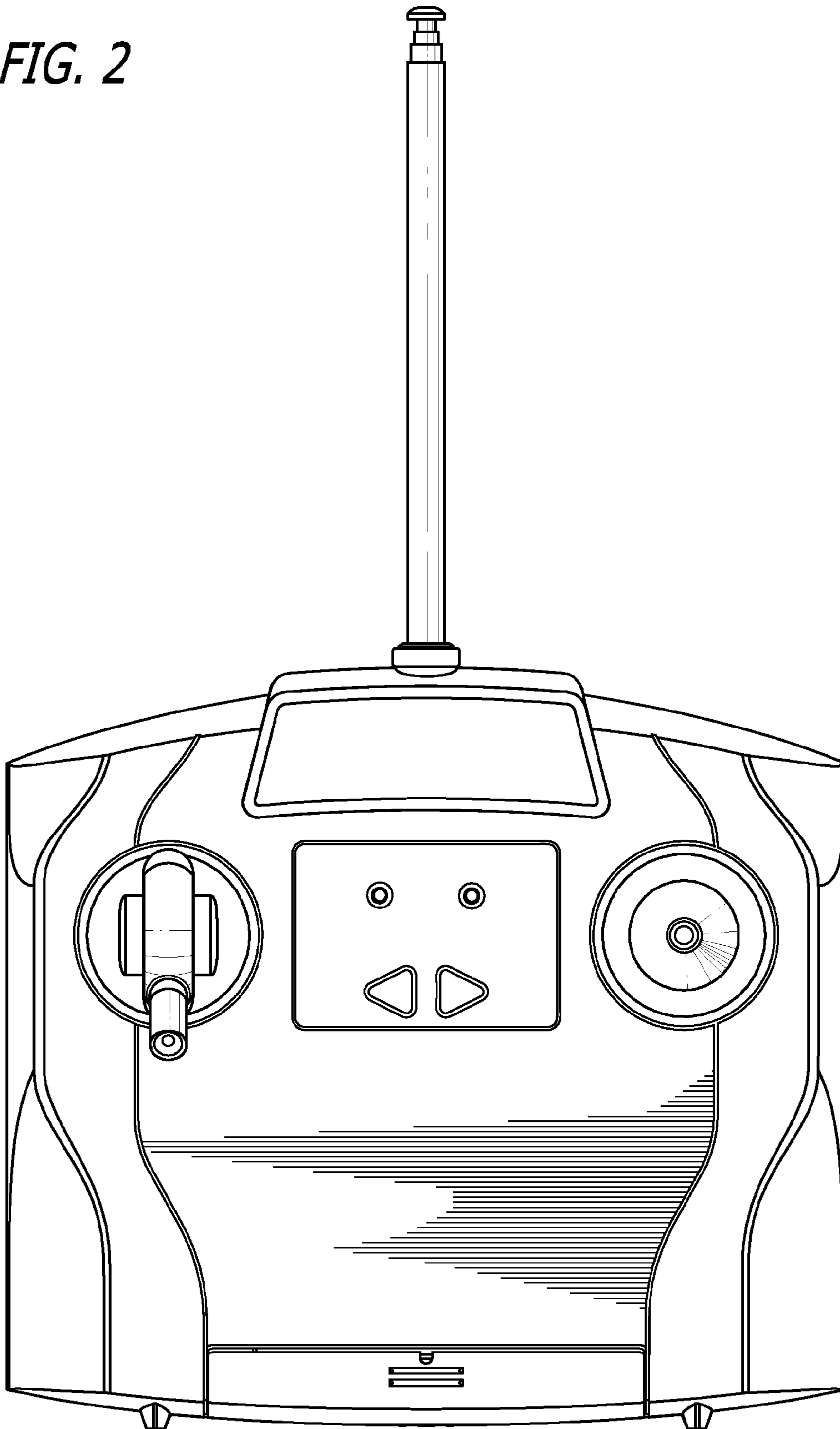
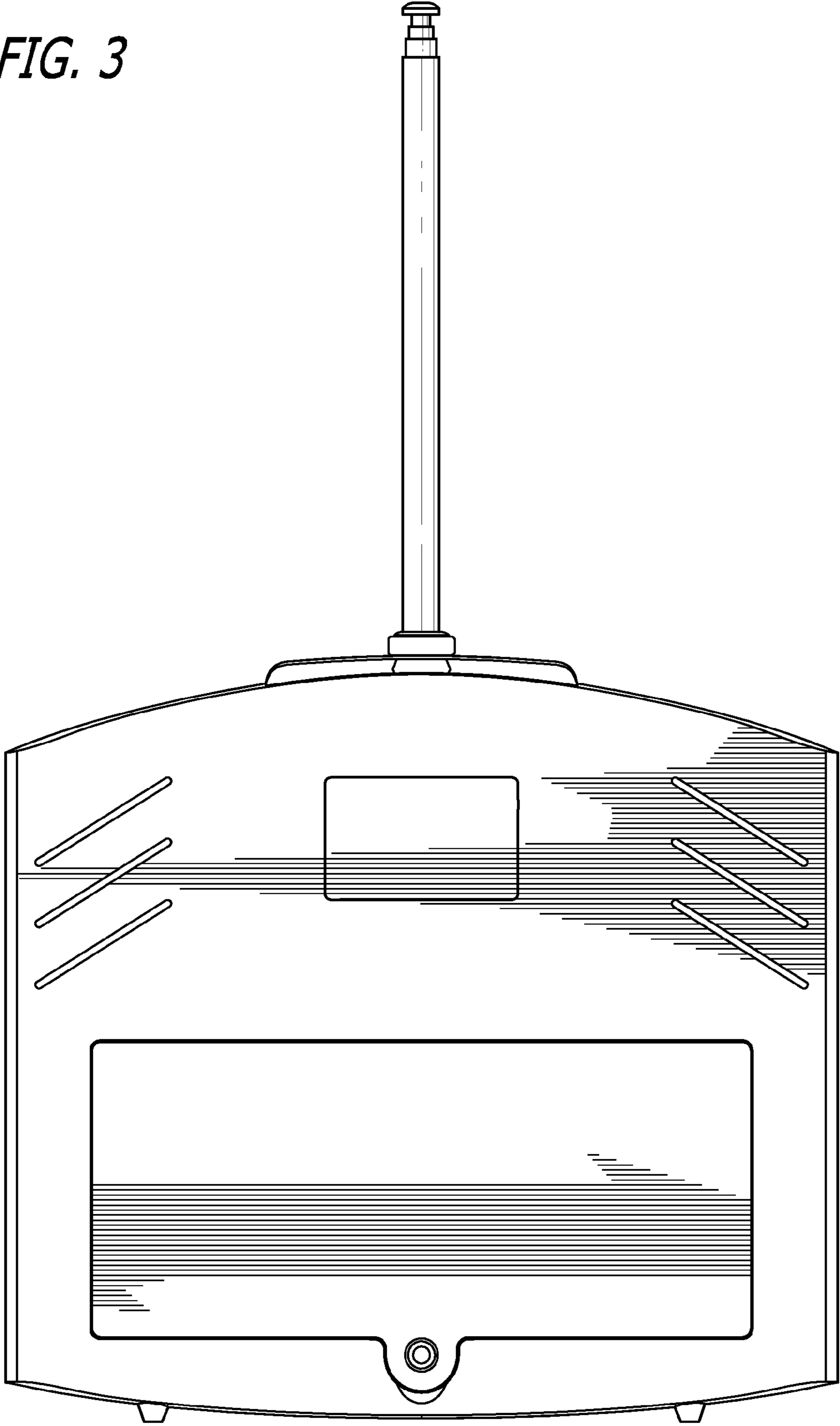


FIG. 3



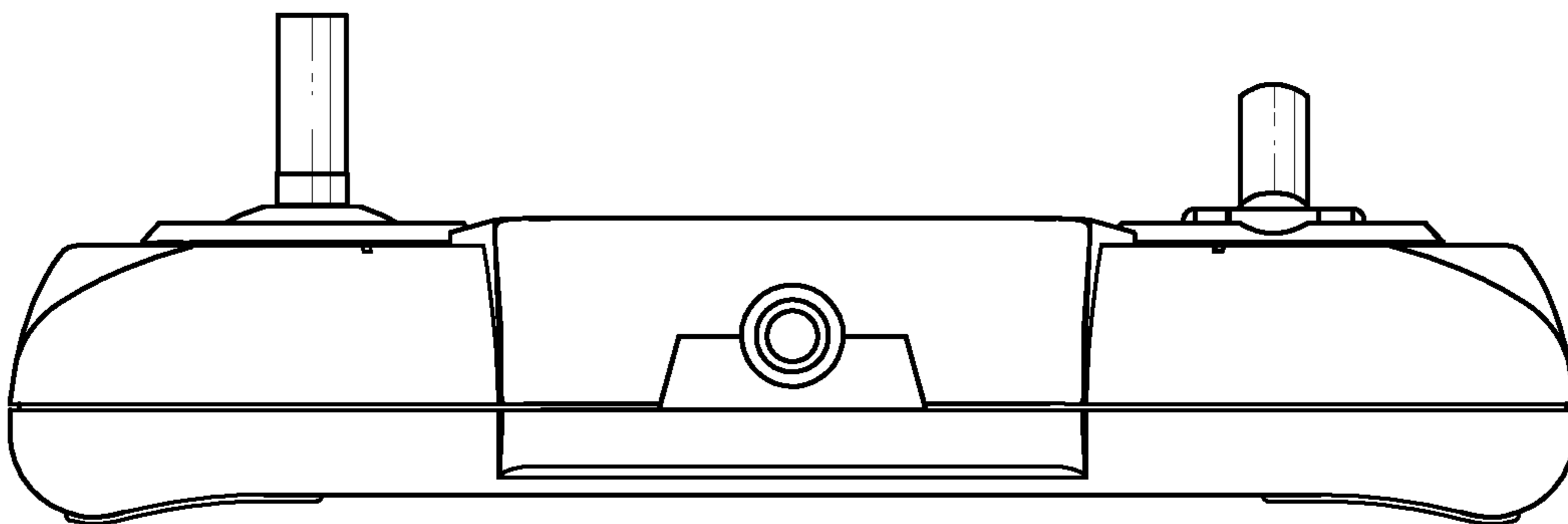


FIG. 4

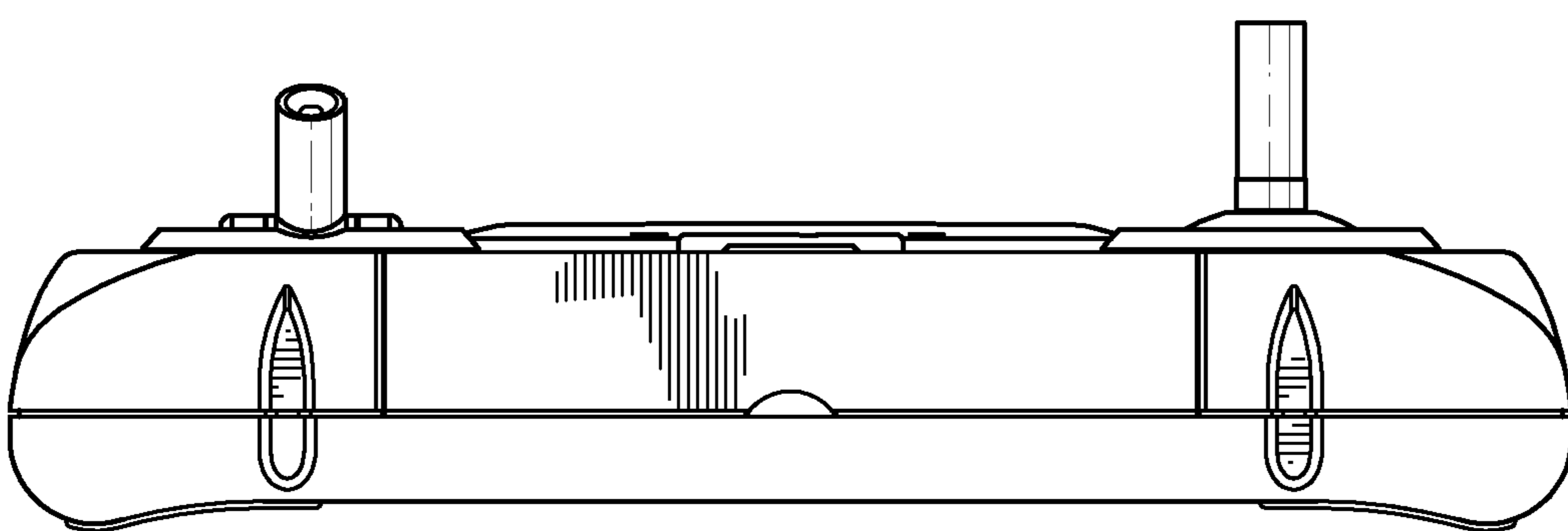


FIG. 5

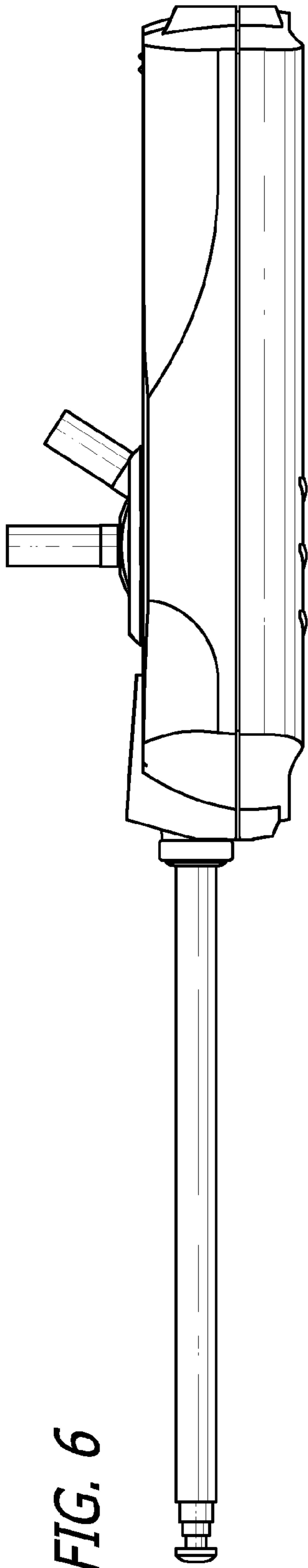


FIG. 6

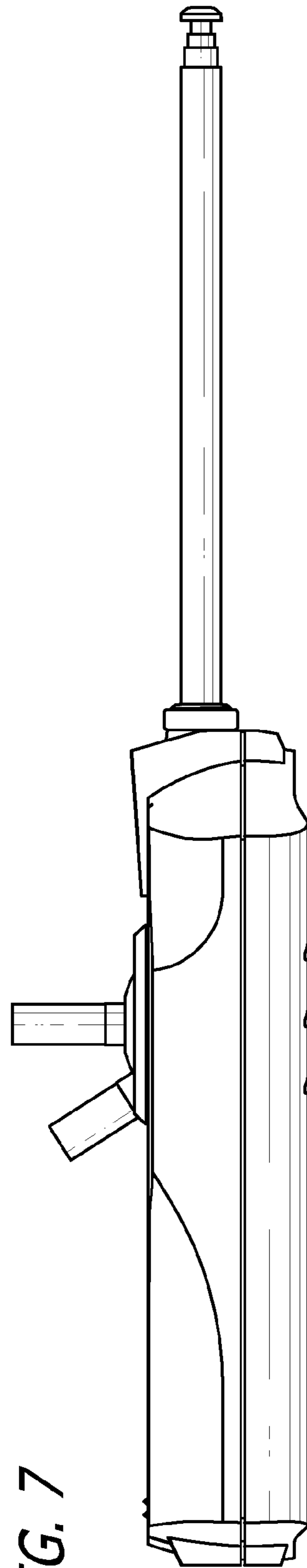


FIG. 7