



US00D570923S

(12) **United States Design Patent**
Vazquez Gastellu

(10) **Patent No.:** **US D570,923 S**

(45) **Date of Patent:** **** *Jun. 10, 2008**

(54) **PIN BOARD TOY**

(75) Inventor: **Alma Rosa Vazquez Gastellu**, Morelos (MX)

(73) Assignee: **Abastecedora Rimova S.A. de C. V.**, Del. Alvaro Obregon (MX)

(*) Notice: This patent is subject to a terminal disclaimer.

(**) Term: **14 Years**

(21) Appl. No.: **29/241,579**

(22) Filed: **Oct. 31, 2005**

(51) **LOC (8) Cl.** **21-01**

(52) **U.S. Cl.** **D21/468; D21/345**

(58) **Field of Classification Search** D21/300, D21/341, 343–346, 385, 386, 398, 468, 469, D21/475, 478, 479, 481, 484, 485–487, 491, D21/501, 502, 503; D19/59, 64; 446/85–128; 273/236–291, 153 R, 156, 157 R, 159; 434/83, 434/91, 95, 128, 216, 393, 407
See application file for complete search history.

(56) **References Cited**

U.S. PATENT DOCUMENTS

- 3,374,558 A * 3/1968 Smith, Jr. 434/200
- 3,693,976 A * 9/1972 Flack 273/258
- 3,752,481 A * 8/1973 Fabricant 273/258
- 3,987,579 A * 10/1976 Palenik, III 446/118
- 4,179,129 A * 12/1979 Loomis 273/272
- 4,844,473 A * 7/1989 Landsberg 273/264
- 5,310,376 A * 5/1994 Mayuzumi et al. 446/107

- 5,639,090 A * 6/1997 Stevens 273/287
- 6,213,918 B1 * 4/2001 Rogers, Jr. 482/44
- D488,515 S * 4/2004 Balanchi D21/484

* cited by examiner

Primary Examiner—Catherine Tuttle

(74) *Attorney, Agent, or Firm*—Egbert Law Offices

(57) **CLAIM**

I claim the ornamental design for a pin board toy, as shown and described.

DESCRIPTION

FIG. 1 is a perspective view showing my new design for a pin board toy in a first configuration with one of the pin components removed; and another omitted from the view;

FIGS. 2–5 are perspective, top plan, side elevation and bottom plan views, respectively, of the first type of pin piece shown separately for clarity and completeness of disclosure;

FIGS. 6 and 7 are front and side views, respectively, of the second type of pin piece, shown separately for clarity and completeness of disclosure;

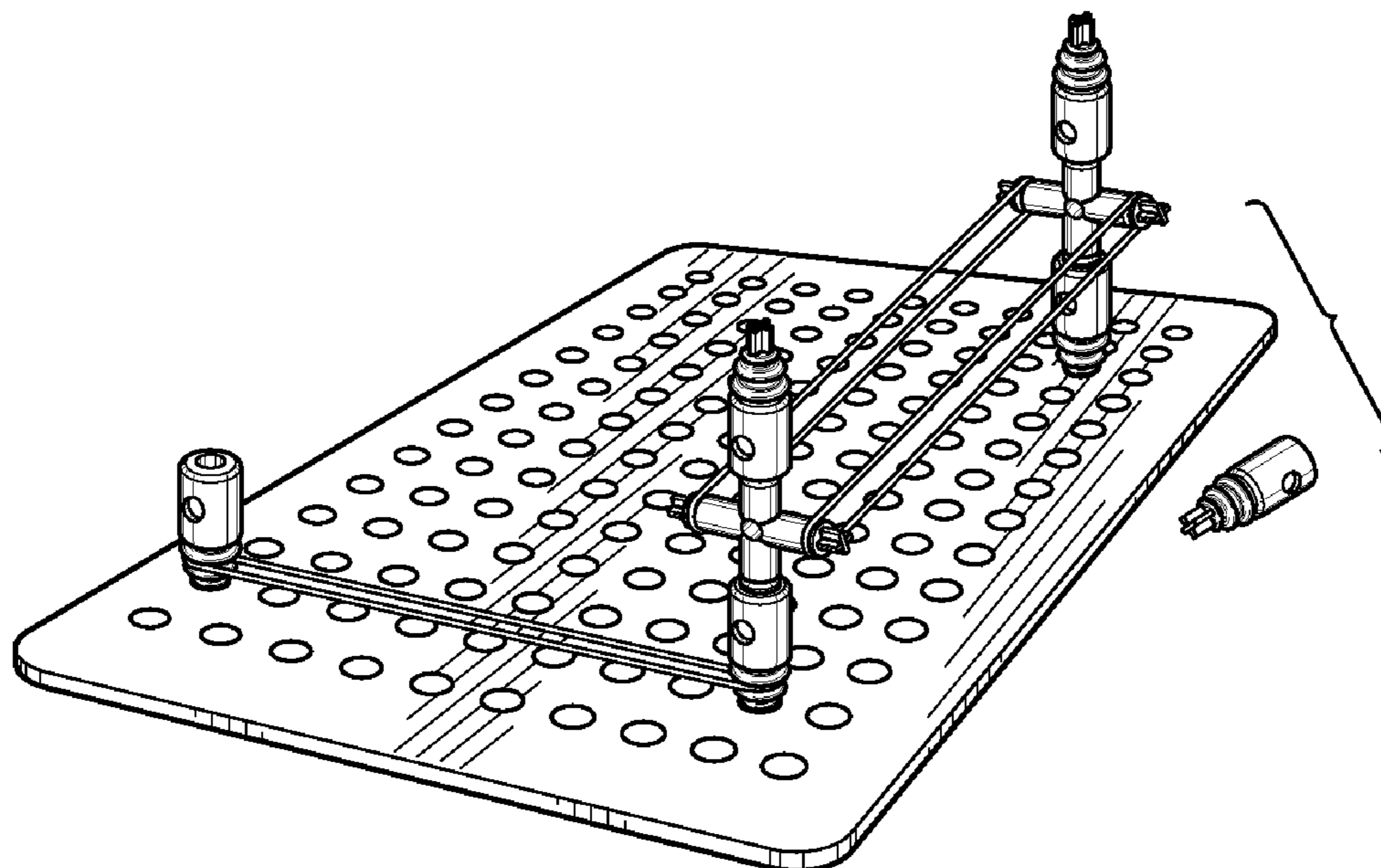
FIG. 8 is a perspective view showing the six pin pieces of the first type in a linked configuration;

FIG. 9 is a perspective view showing the three pin pieces of the second type in a linked configuration;

FIG. 10 is perspective view showing three of the first type and two of the second type of pin piece in a linked configuration; and,

FIGS. 11 and 12 are side and front views, respectively, of the board element of the design.

1 Claim, 4 Drawing Sheets



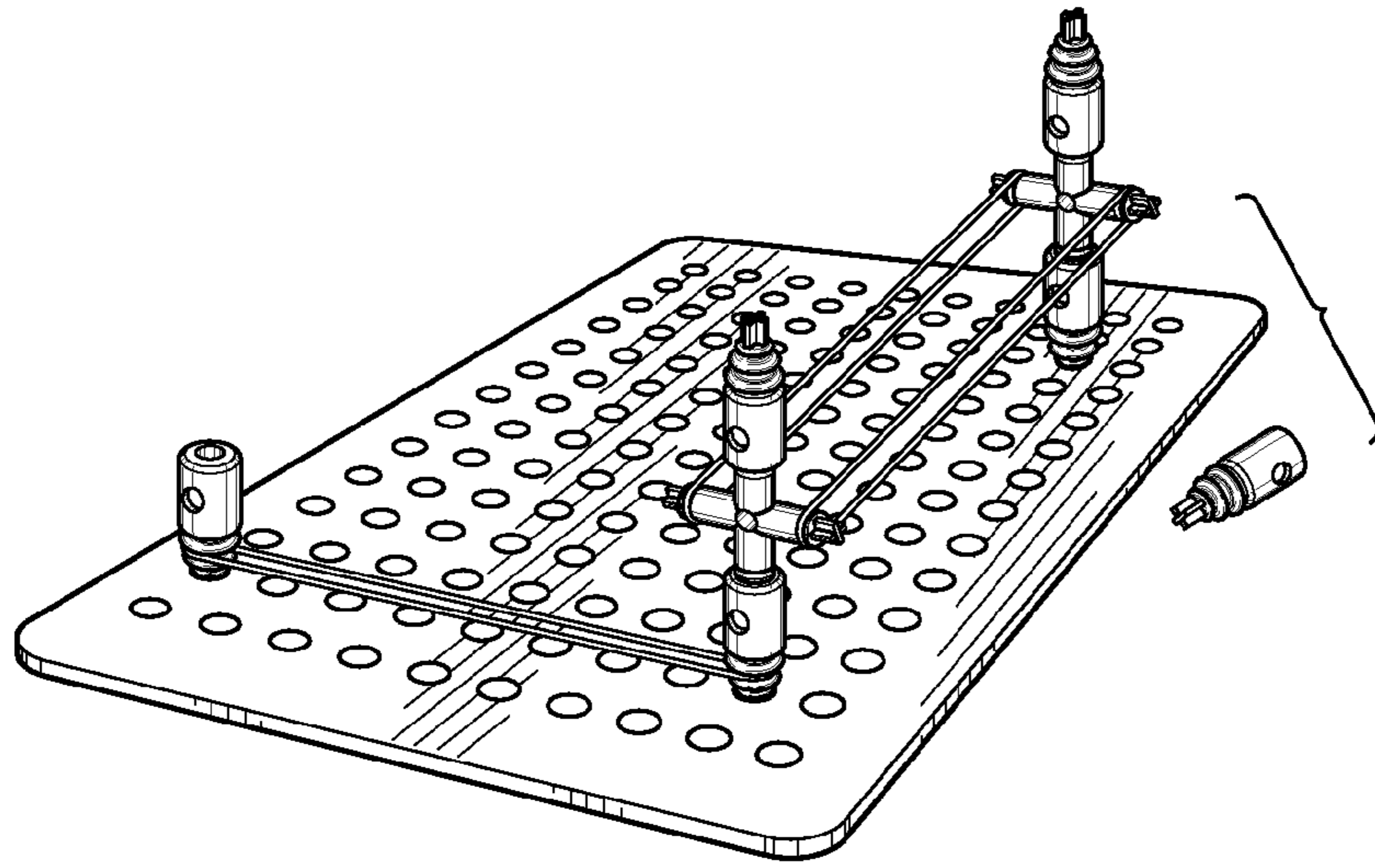


FIG. 1

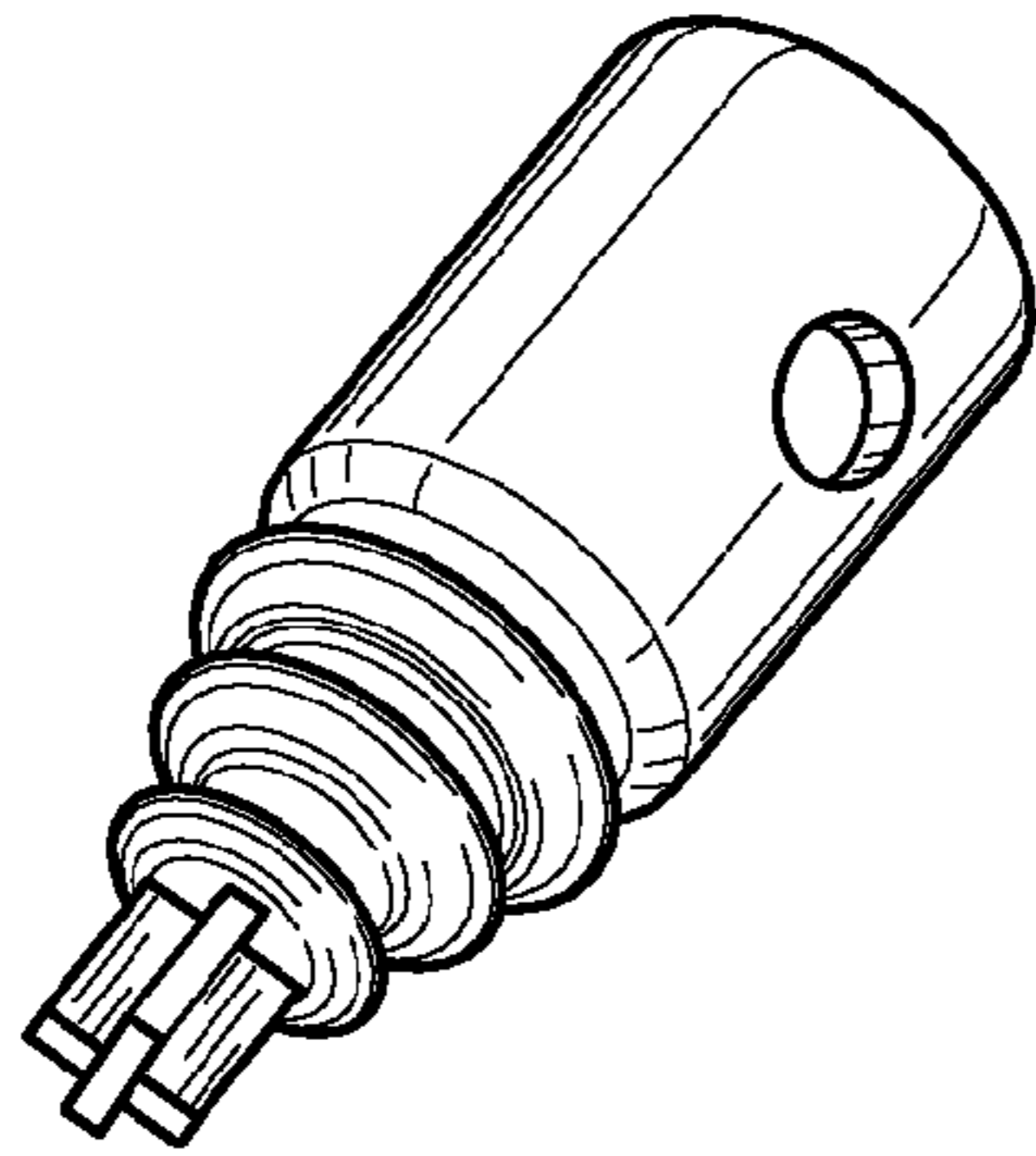


FIG. 2

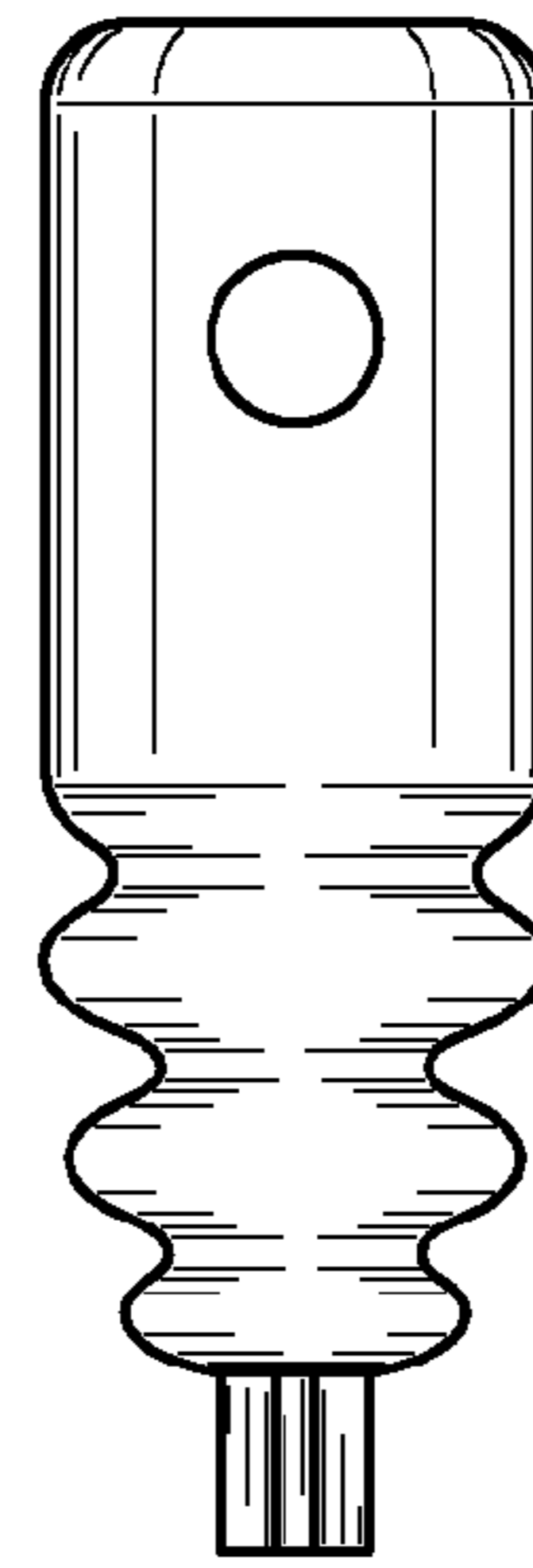


FIG. 4

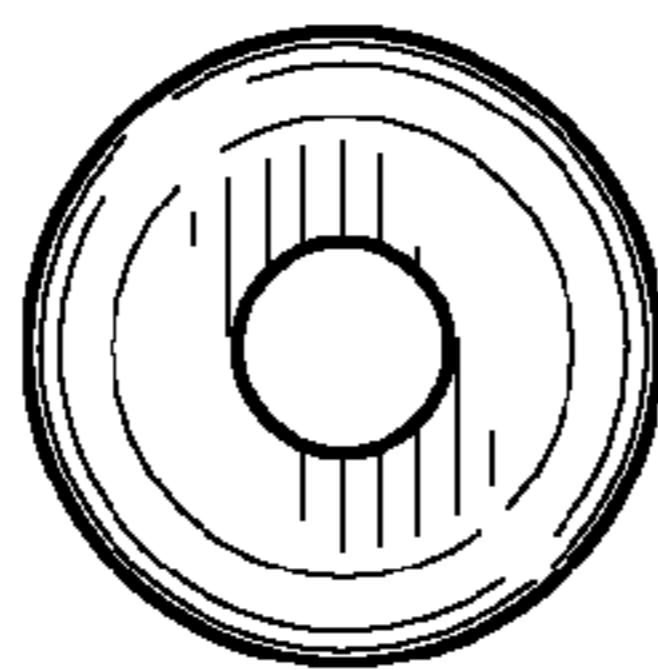


FIG. 3

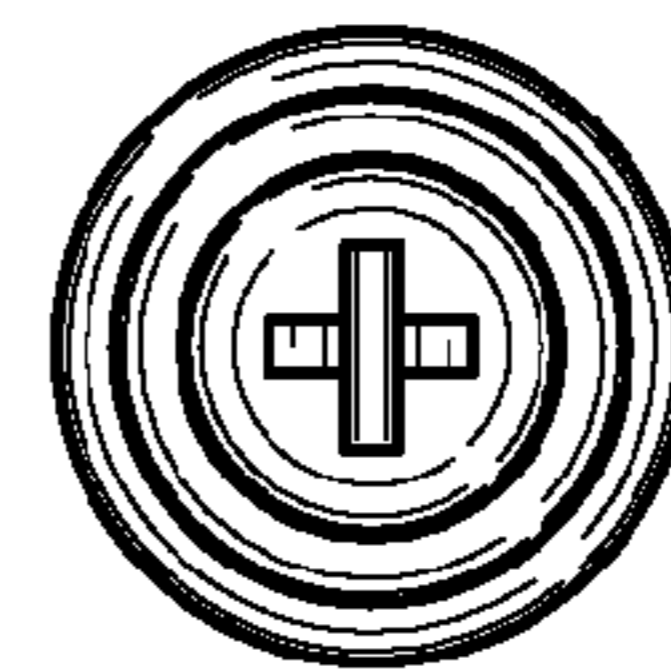


FIG. 5

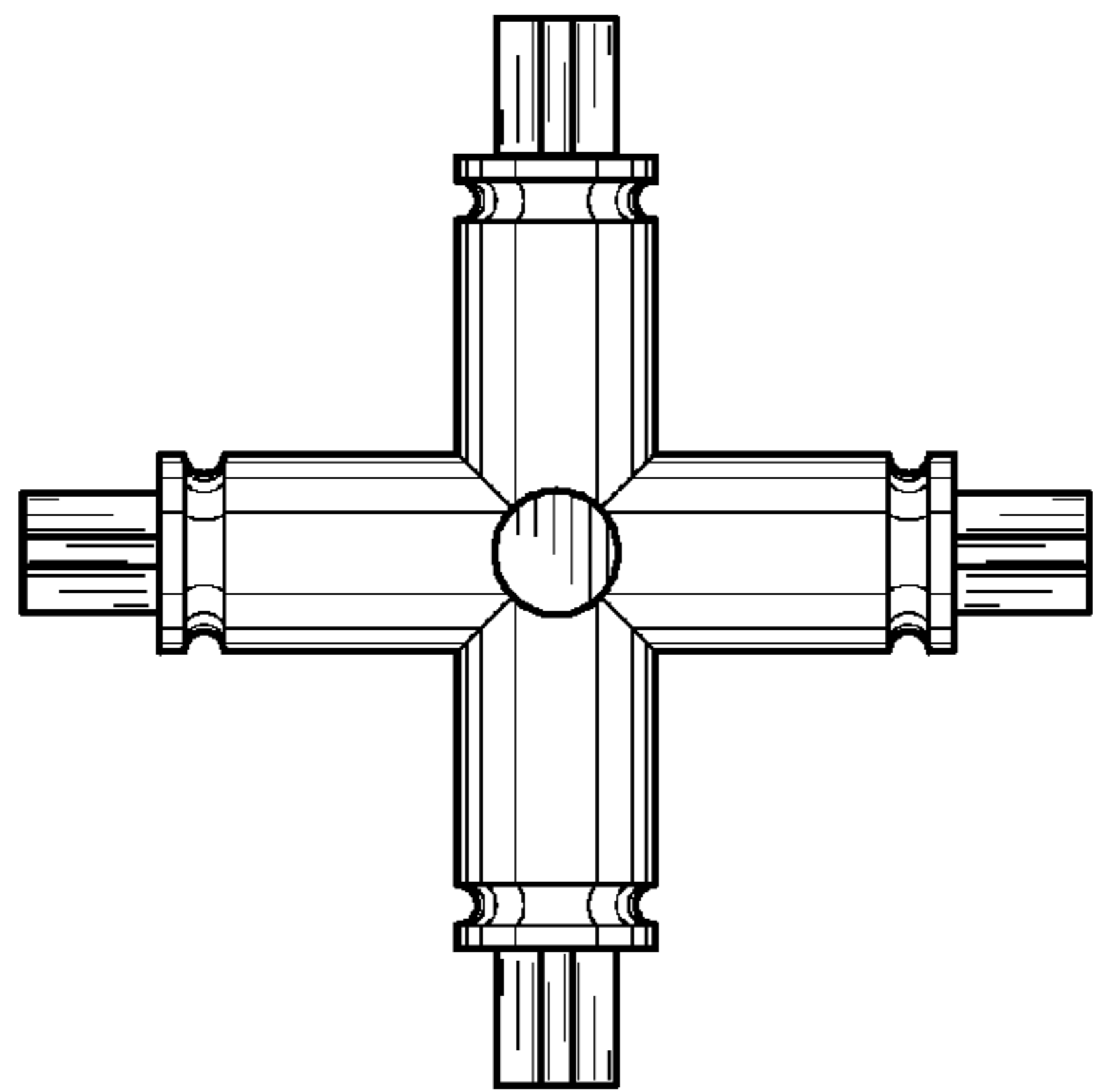


FIG. 6

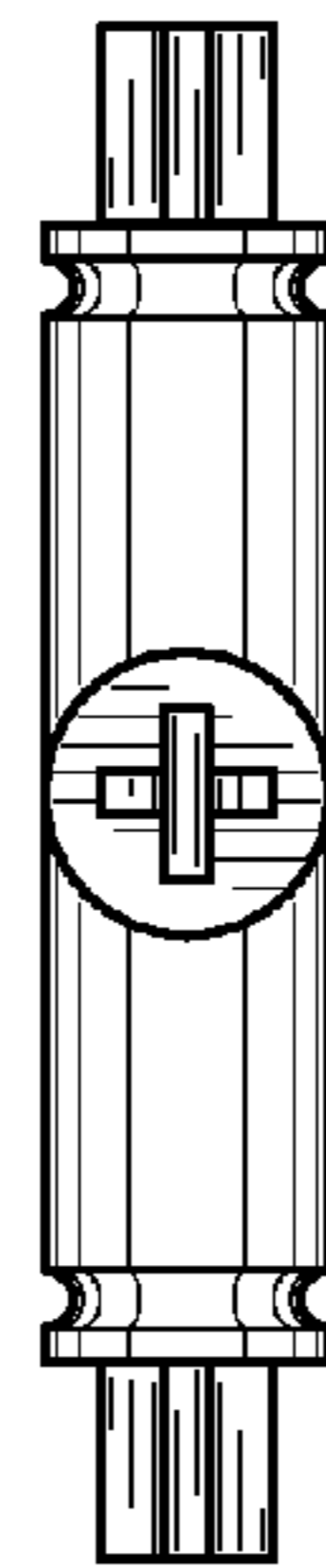


FIG. 7

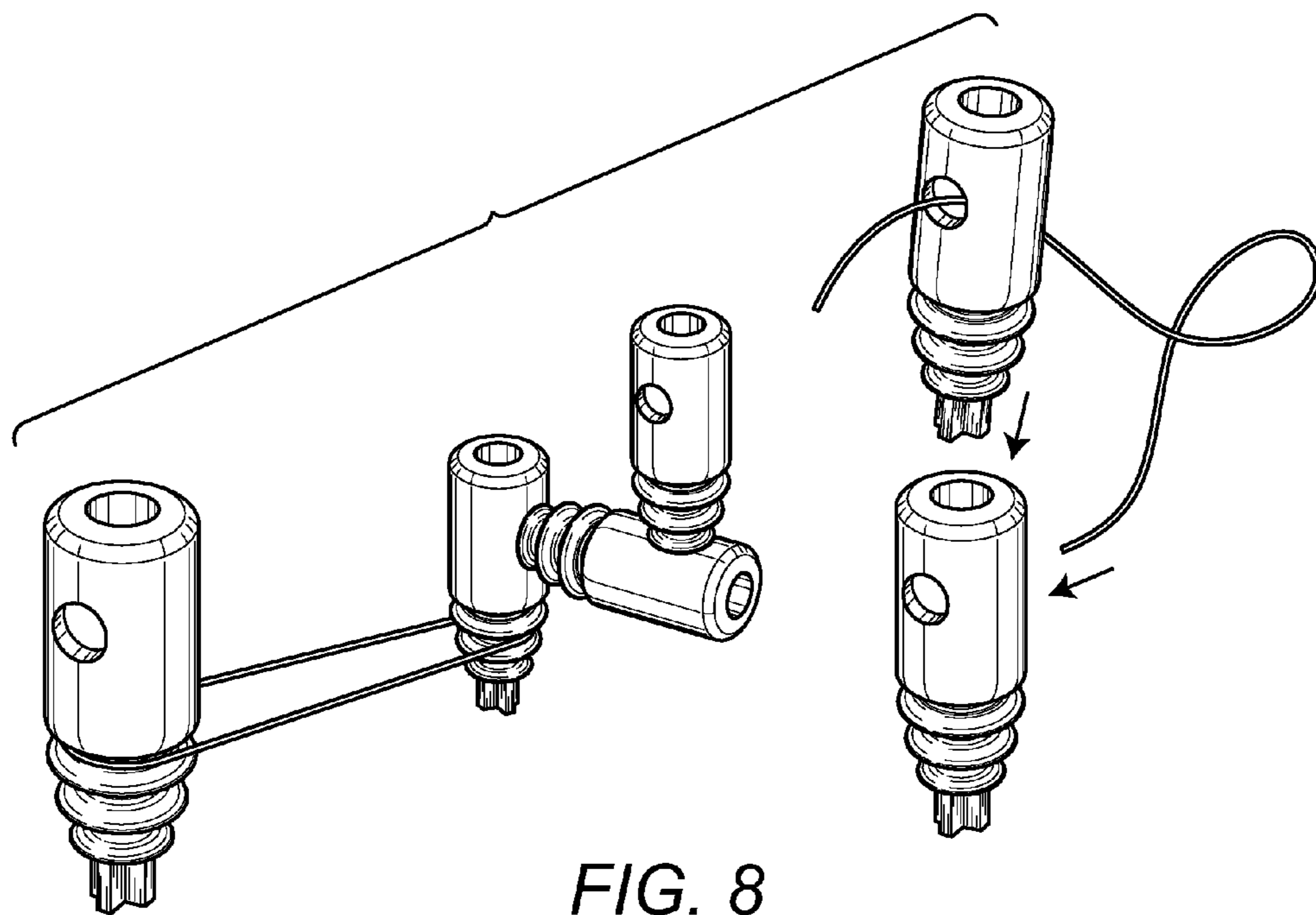


FIG. 8

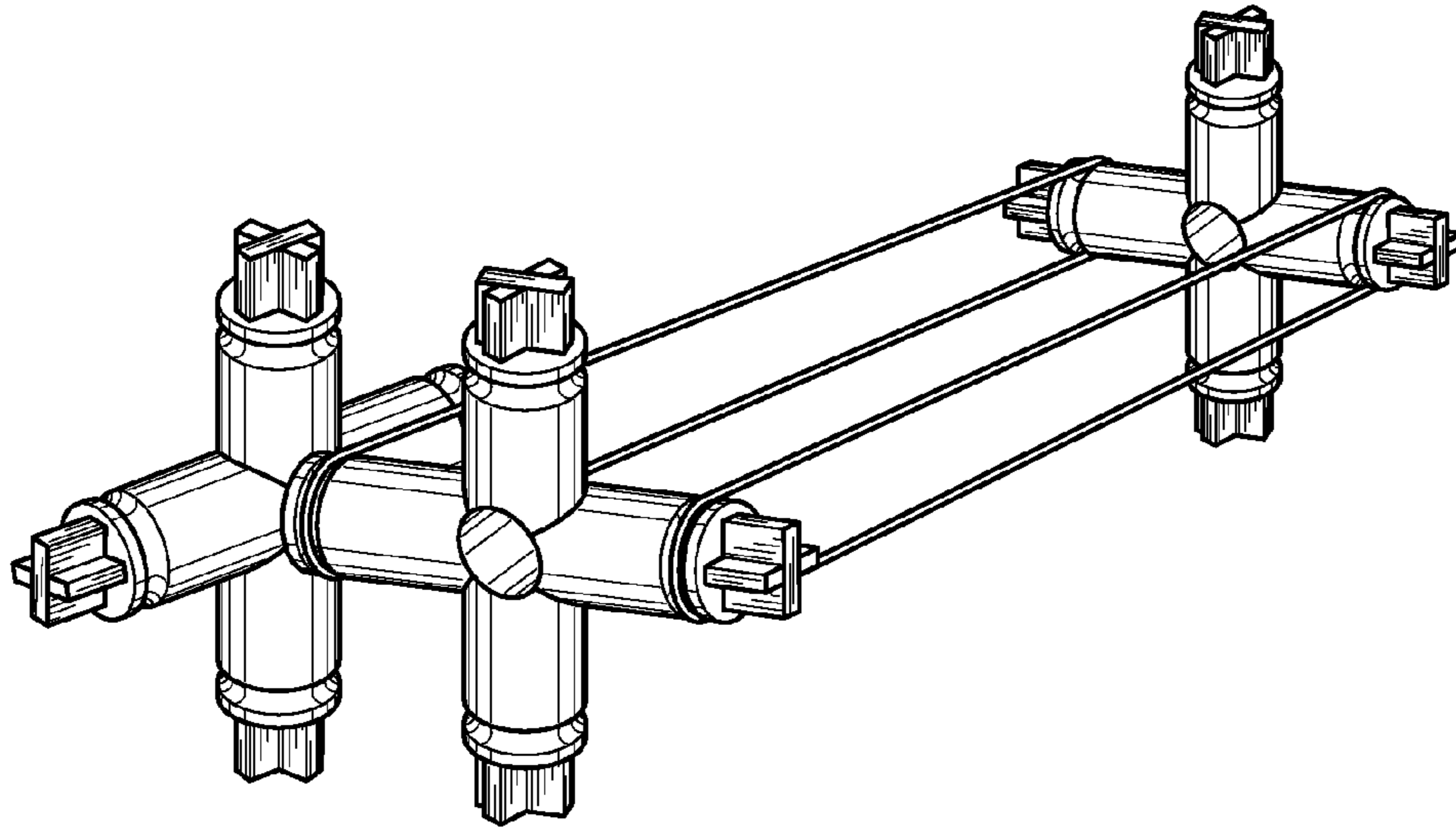


FIG. 9

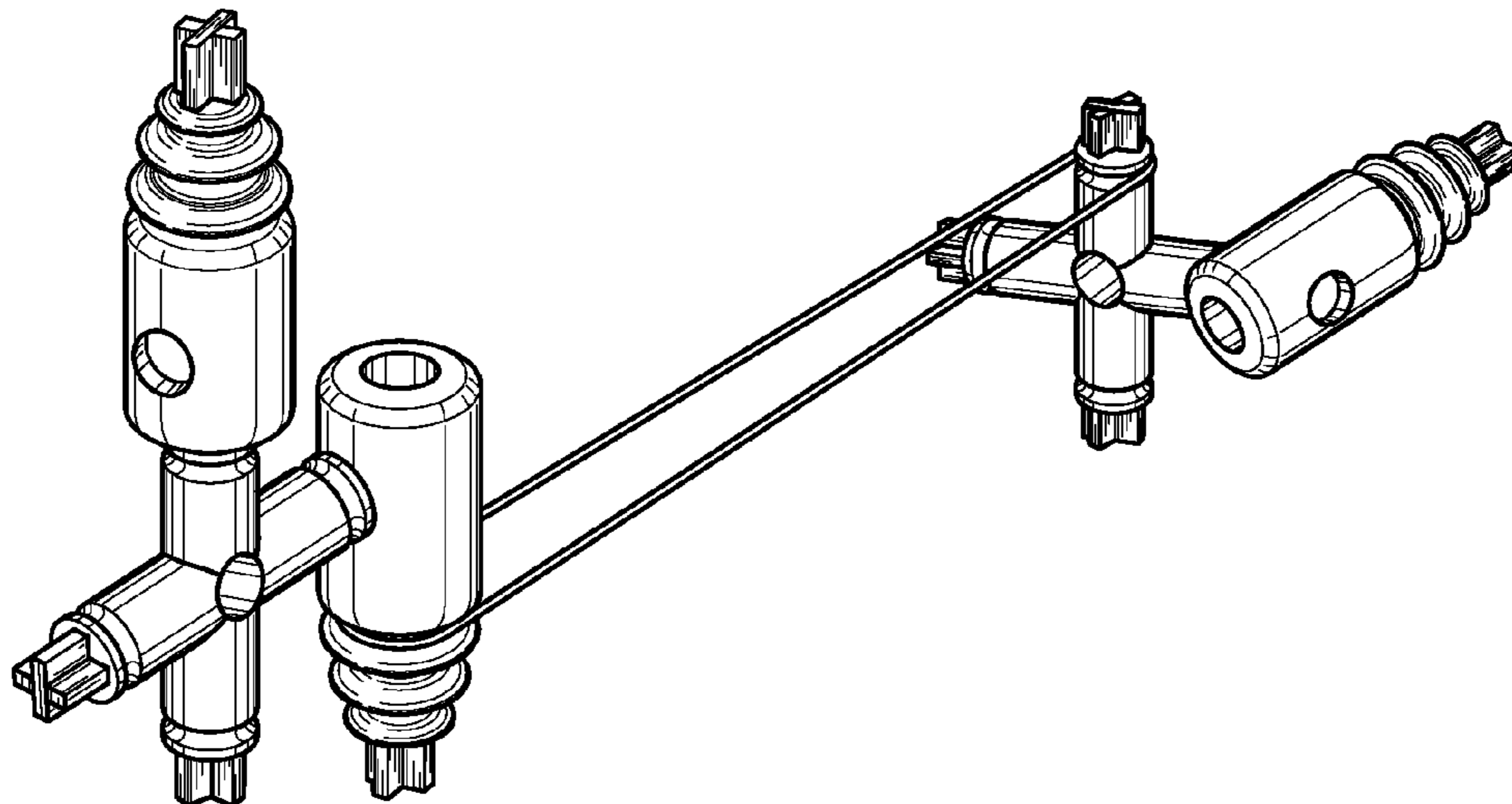


FIG. 10



FIG. 11

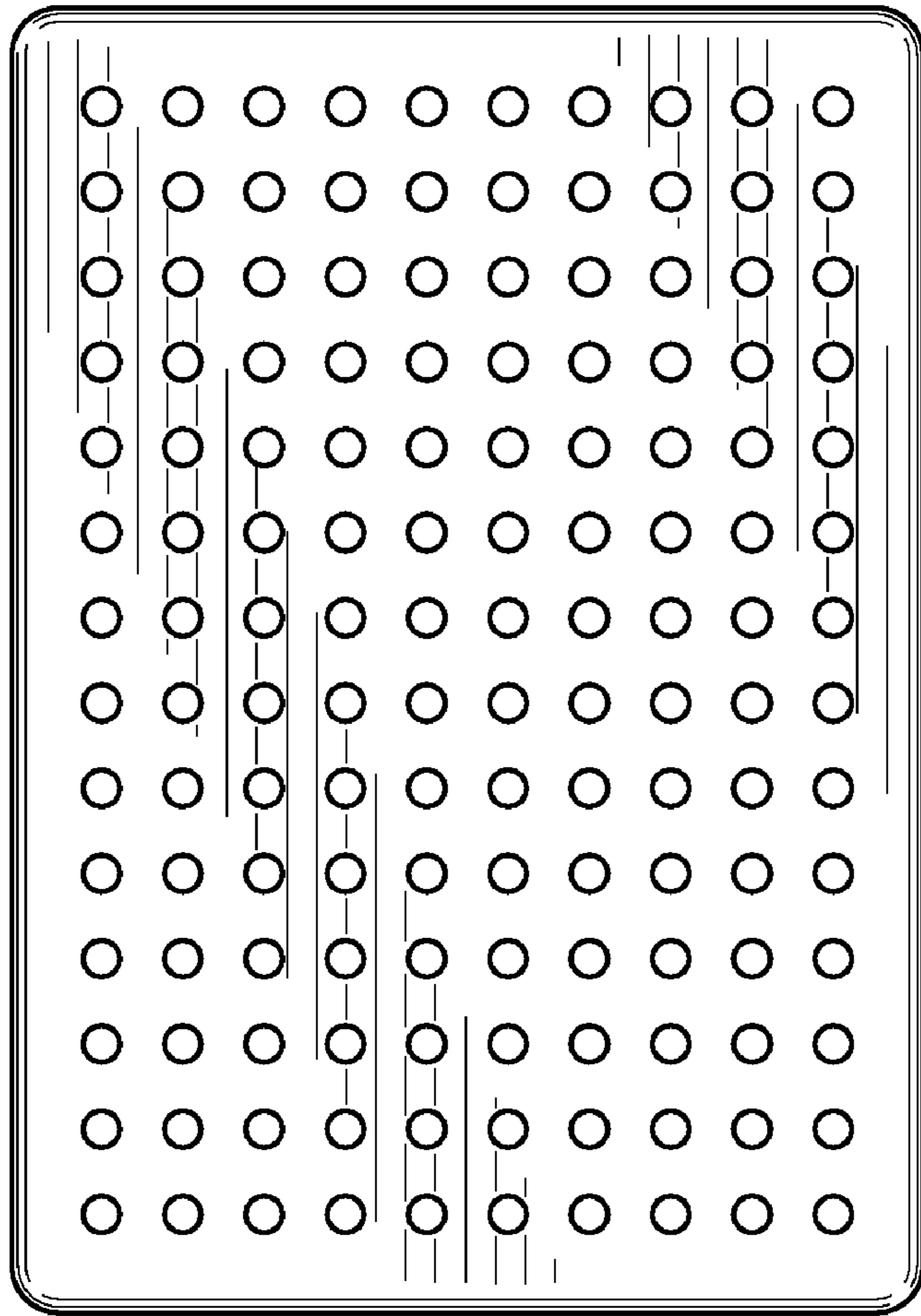


FIG. 12