

US00D570921S

(12) **United States Design Patent**
Egros

(10) **Patent No.:** **US D570,921 S**
(45) **Date of Patent:** **** Jun. 10, 2008**

(54) **MARKER PLATE**
(75) Inventor: **Stephane Egros**, London (GB)
(73) Assignee: **Panduit Corp.**, Tinley Park, IL (US)
(**) Term: **14 Years**
(21) Appl. No.: **29/249,267**
(22) Filed: **Sep. 29, 2006**

4,539,767 A 9/1985 Jaffe
4,577,426 A * 3/1986 Jenkins 40/638
4,662,094 A 5/1987 Jaffe
5,117,570 A 6/1992 Morosini
5,165,725 A * 11/1992 Gollon 283/81
5,402,592 A 4/1995 Caveney et al.
5,503,114 A 4/1996 Castagna
5,606,813 A 3/1997 Cornu et al.
D541,193 S * 4/2007 Hart et al. D12/42
2005/0120477 A1* 6/2005 Kennan 5/118

(51) **LOC (8) Cl.** **19-08**
(52) **U.S. Cl.** **D20/27**
(58) **Field of Classification Search** D20/10-12,
D20/22, 23, 27, 28, 40, 42, 43, 99; 40/27,
40/124.01, 124.07, 299.01, 312, 316, 328,
40/359, 360, 594, 631, 636, 641, 662, 664-666,
40/673; 283/56, 71, 81; D24/189; 24/20 R,
24/21, 22, 23 B, 23 R, 67 AR, 67 R; D8/382;
D12/42; 239/36; D10/109, 111; 248/682,
248/914; 5/118; 402/79; 52/592.26; 403/179
See application file for complete search history.

OTHER PUBLICATIONS

Panduit Corp. Electrical Group Catalog, p. 11 and back cover, 2001.
ThomasNet Product News Room Press Release, 3 pages, Nov. 11,
2002.

* cited by examiner

Primary Examiner—Janice E. Seeger
Assistant Examiner—Mary Ann Calabrese
(74) *Attorney, Agent, or Firm*—Robert A. McCann;
Christopher S. Clancy

(56) **References Cited**

U.S. PATENT DOCUMENTS

129,189 A * 7/1872 Swett 24/23 B
189,676 A * 4/1877 Adams 52/592.6
231,277 A 8/1880 Cohen
592,821 A * 11/1897 Ogden 40/641
902,864 A * 11/1908 Drake 24/23 B
1,158,912 A * 11/1915 Fitzgerald 40/666
1,291,382 A * 1/1919 Bohan 24/67 R
1,364,560 A * 1/1921 Kunkel 40/666
1,540,455 A * 6/1925 Beck 40/662
1,658,263 A * 2/1928 Stanley 40/638
3,128,979 A * 4/1964 Damelio 248/680
3,185,394 A * 5/1965 Farrell 239/36
3,414,305 A * 12/1968 Minogue 403/179
3,491,470 A 1/1970 Geisinger
4,033,057 A 7/1977 Jaffe
4,242,777 A 1/1981 Bourard et al.
4,246,712 A 1/1981 Vander Wall
4,406,075 A 9/1983 Jaffe
D277,115 S * 1/1985 Liebman D20/27

(57) **CLAIM**

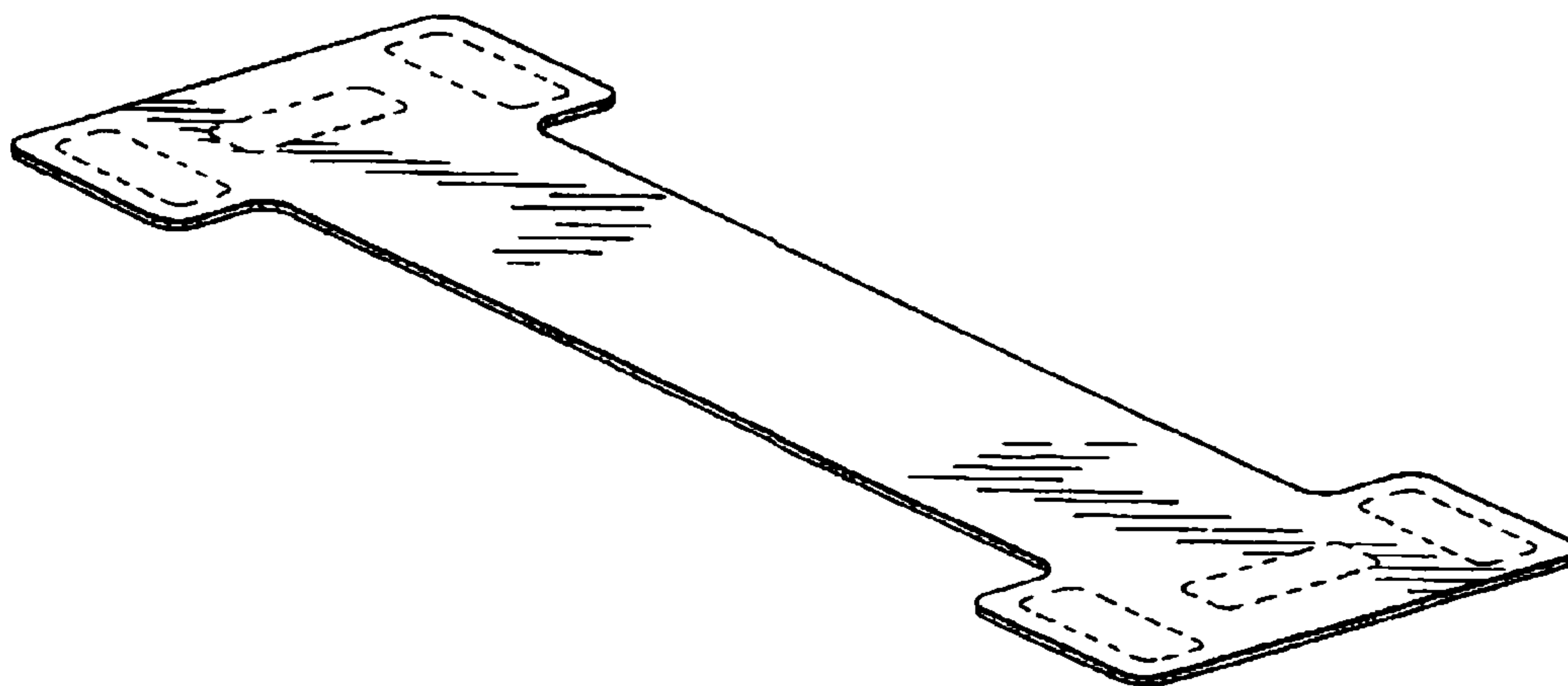
The ornamental design for a marker plate, shown and described.

DESCRIPTION

FIG. 1 is a top right front perspective view of a marker plate showing my new design;
FIG. 2 is a bottom left rear perspective view thereof;
FIG. 3 is a front view, with the rear view a mirror image thereof;
FIG. 4 is a right side view, with the left side view a mirror image thereof; and,
FIG. 5 is a top view, with the bottom view a mirror image thereof.

The broken line showing of environmental structure is for illustrative purposes only and forms no part of the claimed design.

1 Claim, 2 Drawing Sheets



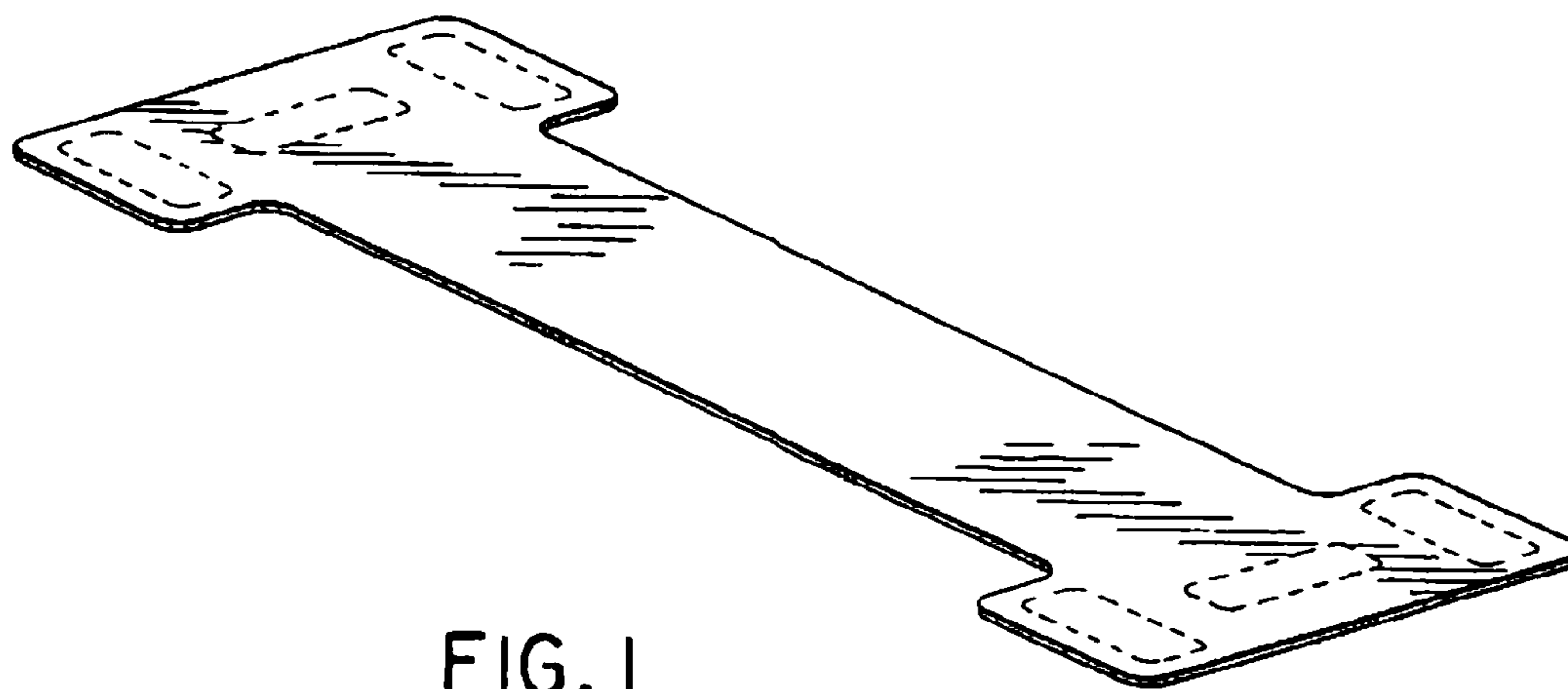


FIG. 1

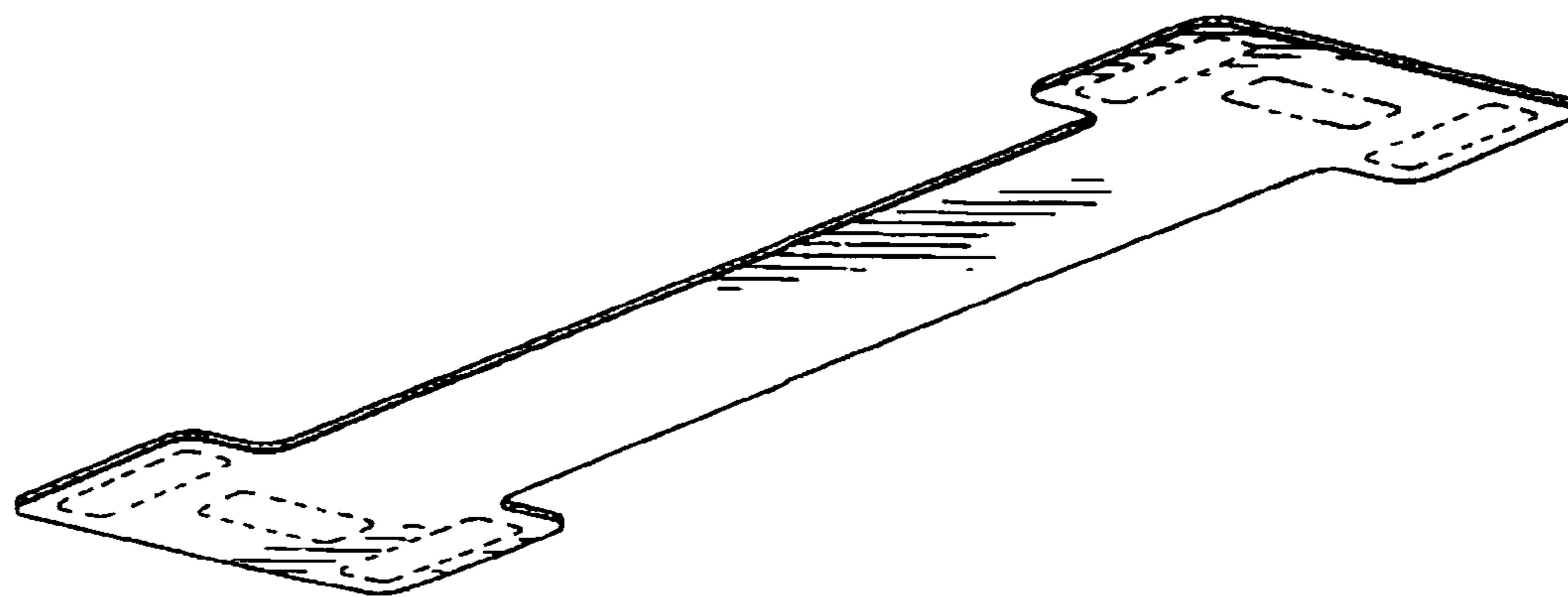


FIG. 2



FIG. 3



FIG. 4

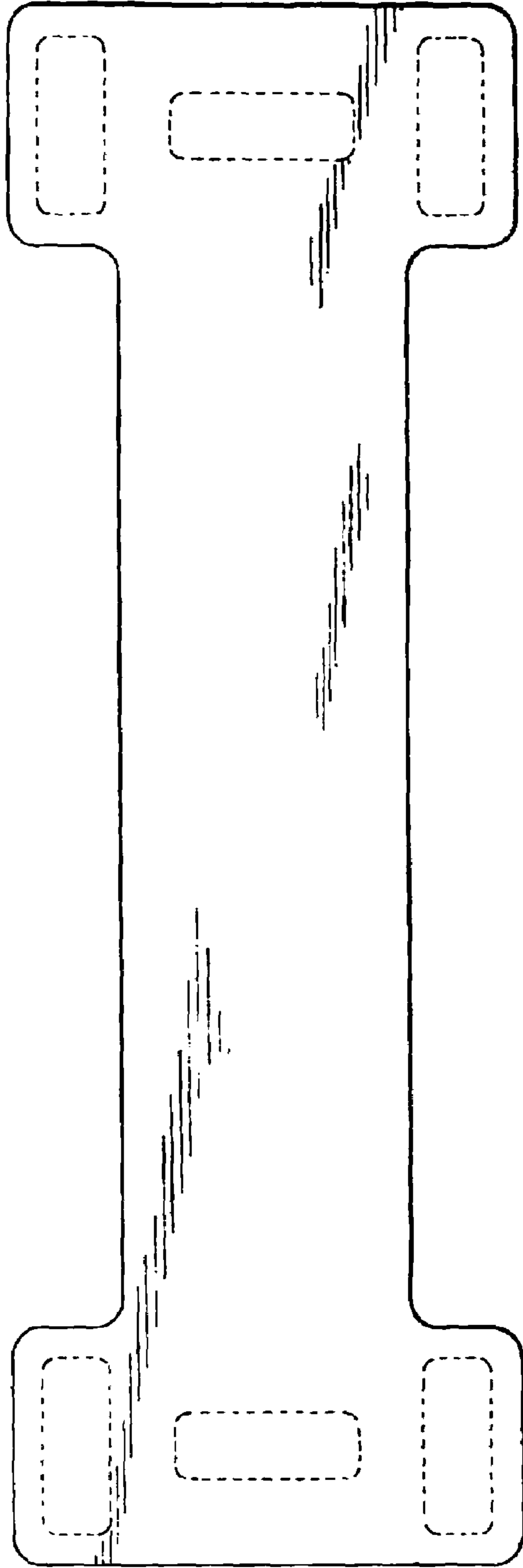


FIG. 5