

US00D570915S

(12) **United States Design Patent**  
**De Beer**

(10) **Patent No.:** **US D570,915 S**  
(45) **Date of Patent:** **\*\* Jun. 10, 2008**

(54) **FINGER ATTACHABLE WRITING INSTRUMENT COVER**

(76) Inventor: **Barend Daniel De Beer**, 9 Swarthberg Street, Vaalpark, Sasolburg (ZA)

(\*\*) Term: **14 Years**

(21) Appl. No.: **29/258,883**

(22) Filed: **Apr. 28, 2006**

(30) **Foreign Application Priority Data**

Nov. 4, 2005 (ZA) ..... A2005/1556

(51) **LOC (8) Cl.** ..... **19-06**

(52) **U.S. Cl.** ..... **D19/57**

(58) **Field of Classification Search** ..... D19/35, D19/36, 41-51, 54-57; D27/146; 24/11 R, 24/11 F, 11 P; 401/6-8, 52, 99, 100, 104-109, 401/192, 195, 243-247, 334; 362/118  
See application file for complete search history.

(56) **References Cited**

**U.S. PATENT DOCUMENTS**

- 391,199 A \* 10/1888 Seabaugh ..... 15/443
- 488,945 A \* 12/1892 Nelson ..... 401/7
- 504,918 A \* 9/1893 Geissinger ..... 401/7
- 684,685 A \* 10/1901 Gerst ..... 401/7
- 1,310,235 A \* 7/1919 Fitzpatrick ..... 24/11 F
- 1,391,556 A \* 9/1921 Hermongenes ..... 401/7
- 2,151,846 A \* 3/1939 Greneker ..... 81/177.3
- D144,306 S \* 4/1946 Hallward ..... D10/104

- 2,509,837 A \* 5/1950 Niizawa ..... 401/7
- D183,538 S \* 9/1958 O'Neill ..... D14/244
- 3,947,132 A \* 3/1976 Fox ..... 401/7
- 5,234,142 A \* 8/1993 Loewen et al. .... 223/101
- D362,681 S \* 9/1995 Jones et al. .... D19/42
- 5,529,415 A \* 6/1996 Bishop ..... 401/7
- 6,592,279 B1 \* 7/2003 Kagel ..... 401/104
- D544,484 S \* 6/2007 Hussaini et al. .... D14/411

**FOREIGN PATENT DOCUMENTS**

AU 11805/2006 \* 9/2006

\* cited by examiner

*Primary Examiner*—Elizabeth A. Albert

*Assistant Examiner*—Karen E Eldridge Powers

(74) *Attorney, Agent, or Firm*—Wyatt, Tarrant & Combs, LLP

(57) **CLAIM**

The ornamental design for a finger attachable writing instrument cover, as shown and described.

**DESCRIPTION**

FIG. 1 is a rear perspective view of the finger attachable writing instrument cover according to the present invention;

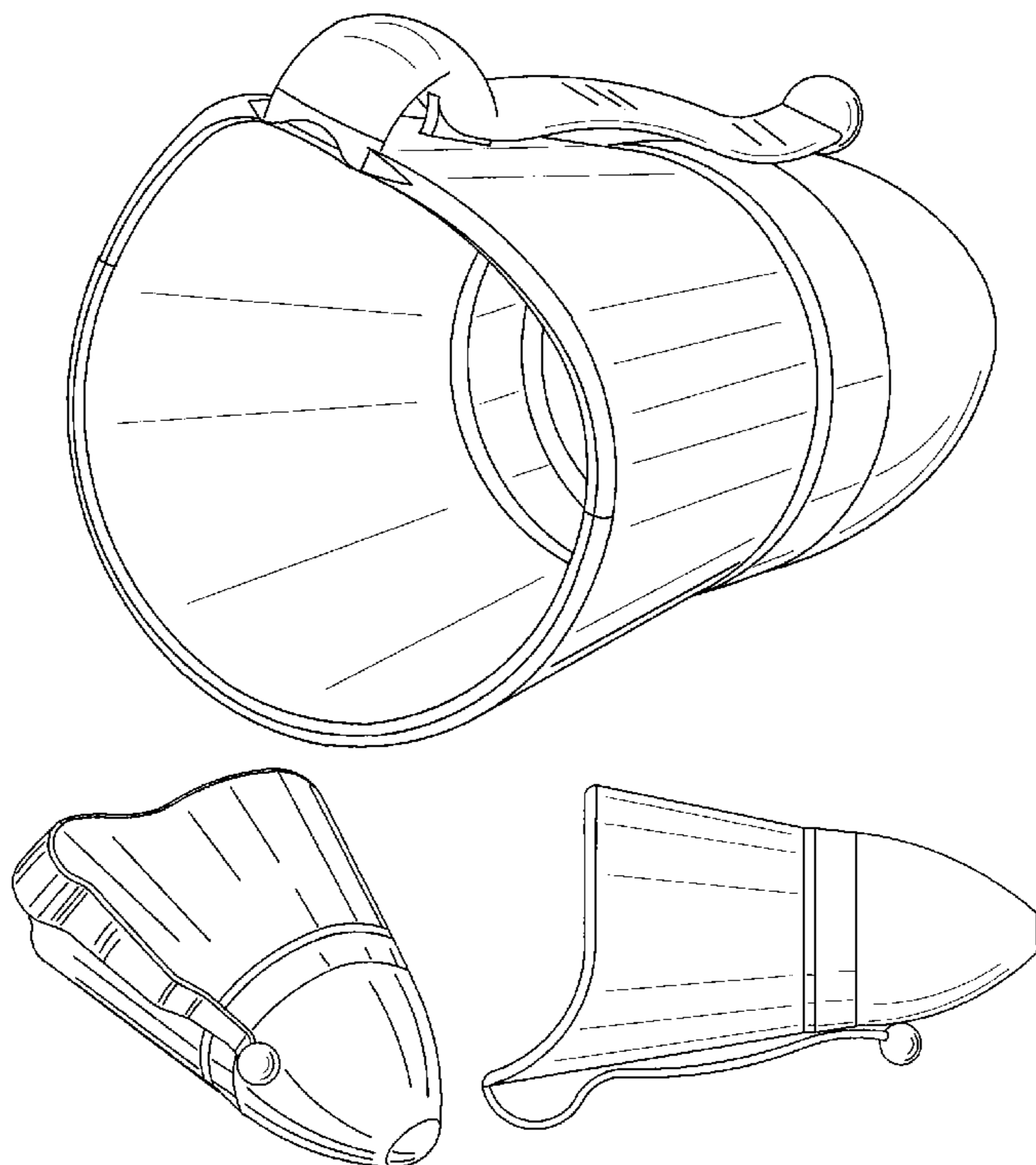
FIG. 2 is a front end view thereof;

FIG. 3 is a rear end view thereof;

FIG. 4 is a front perspective view thereof; and,

FIG. 5 is a right side elevational view thereof, the opposite side being a mirror image thereof.

**1 Claim, 2 Drawing Sheets**



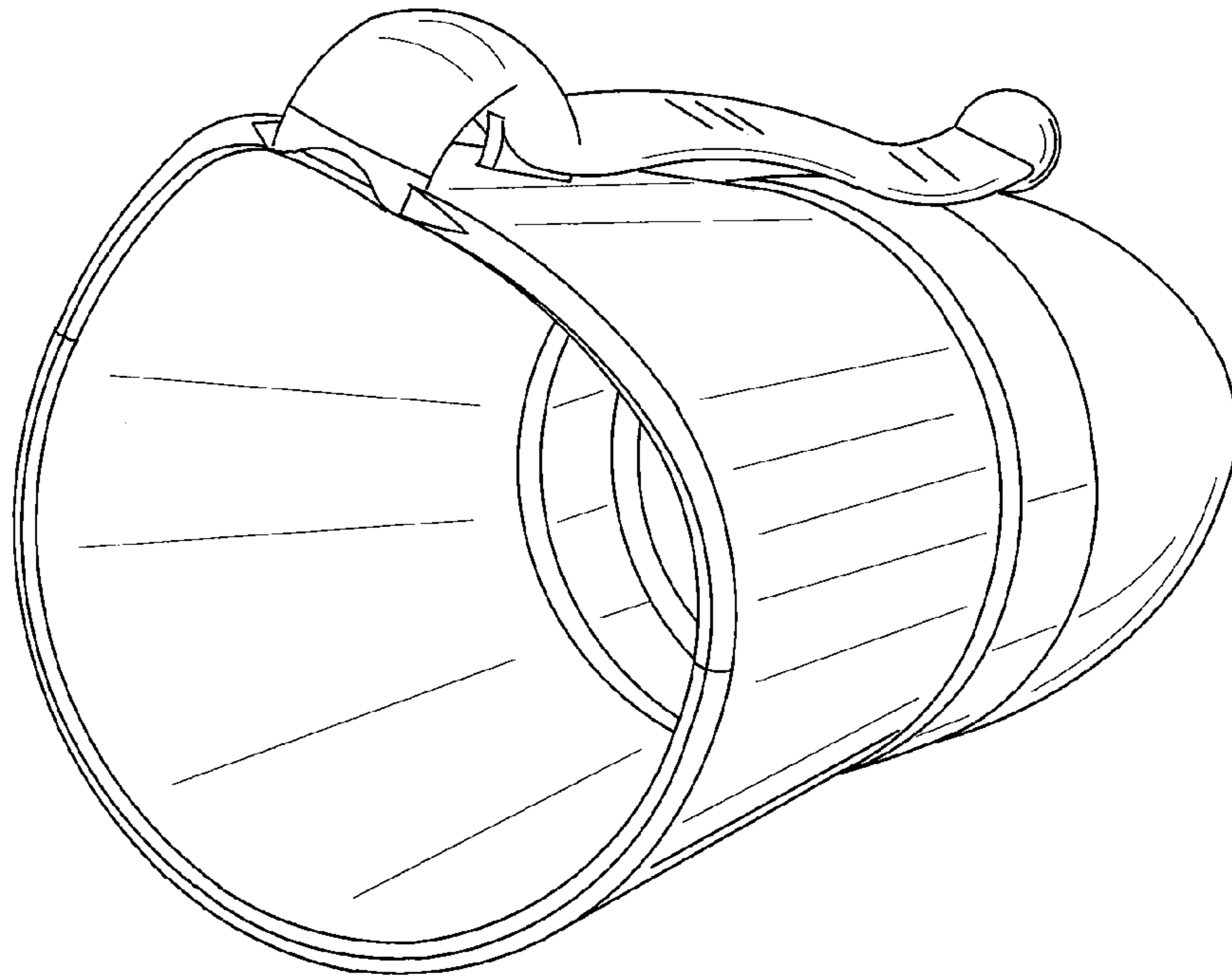


FIG. 1

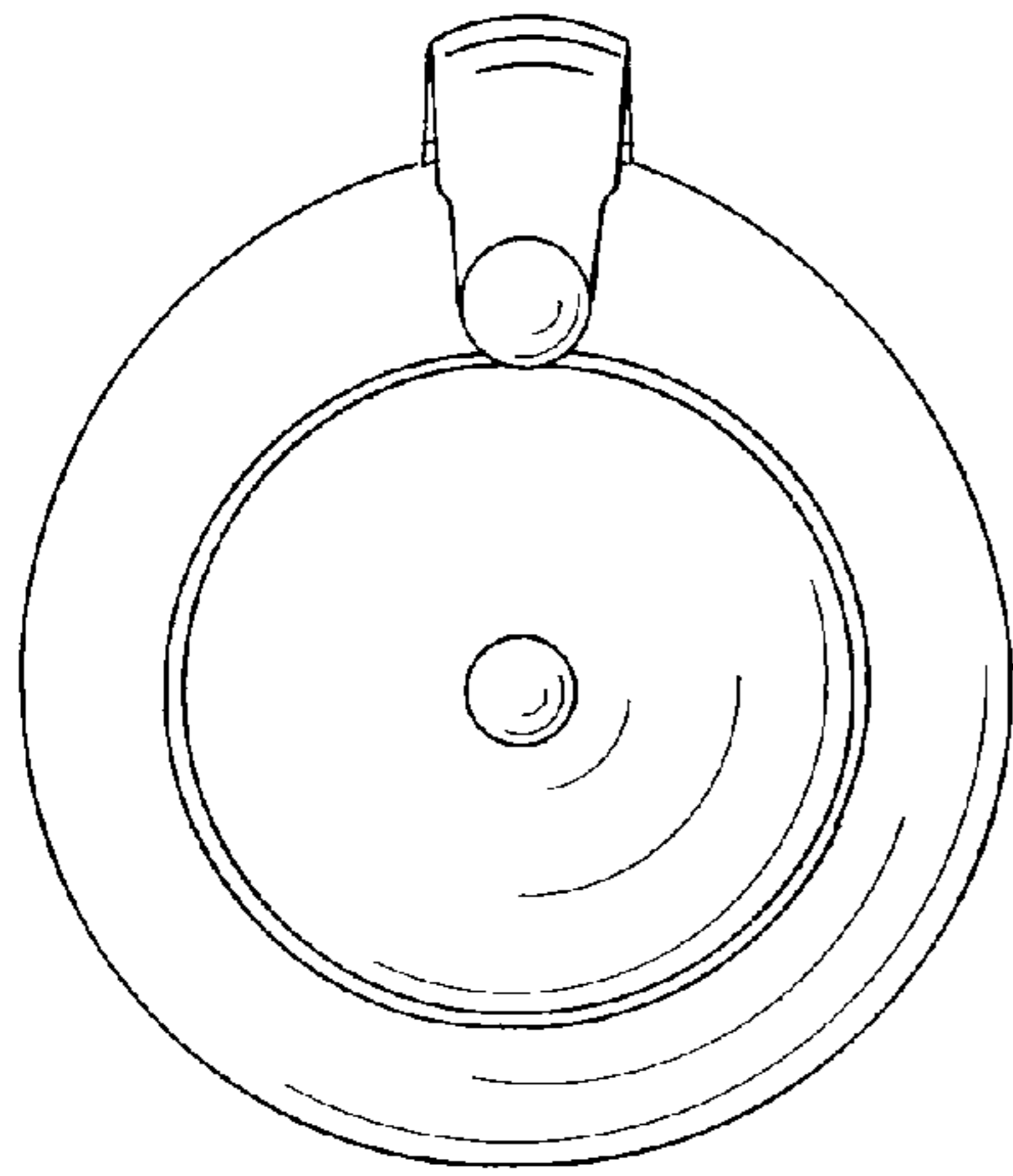


FIG. 2

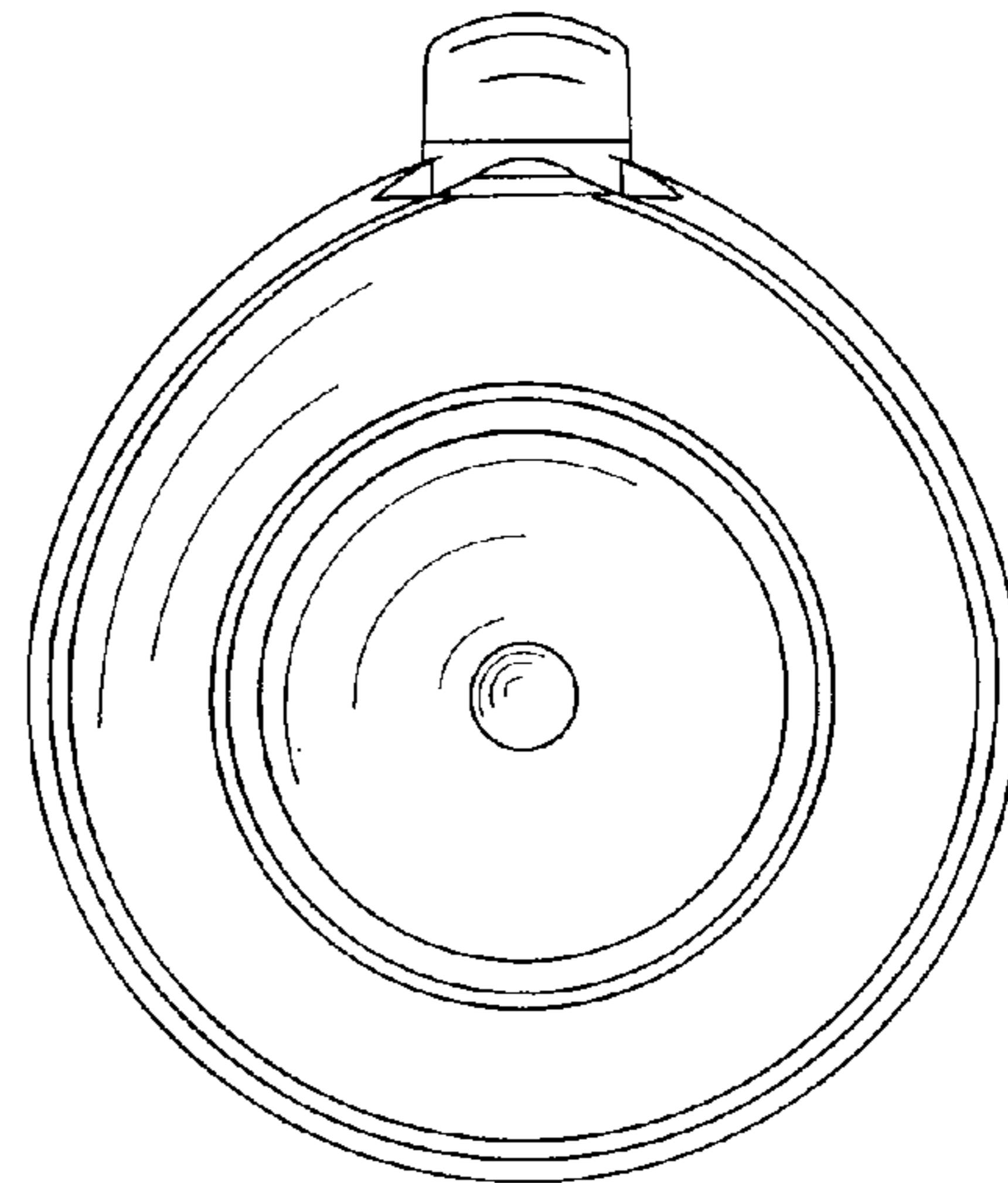


FIG. 3

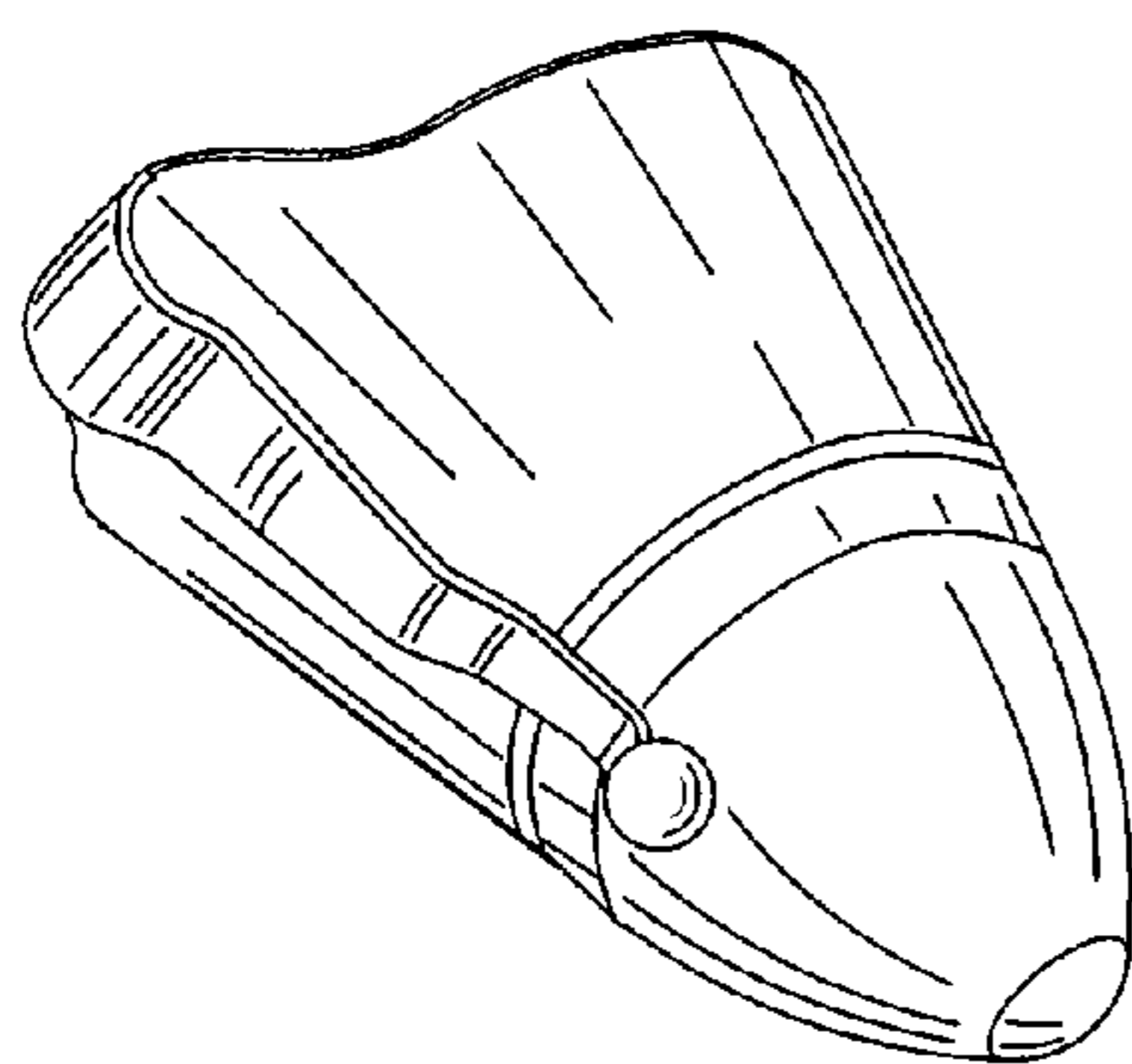


FIG. 4

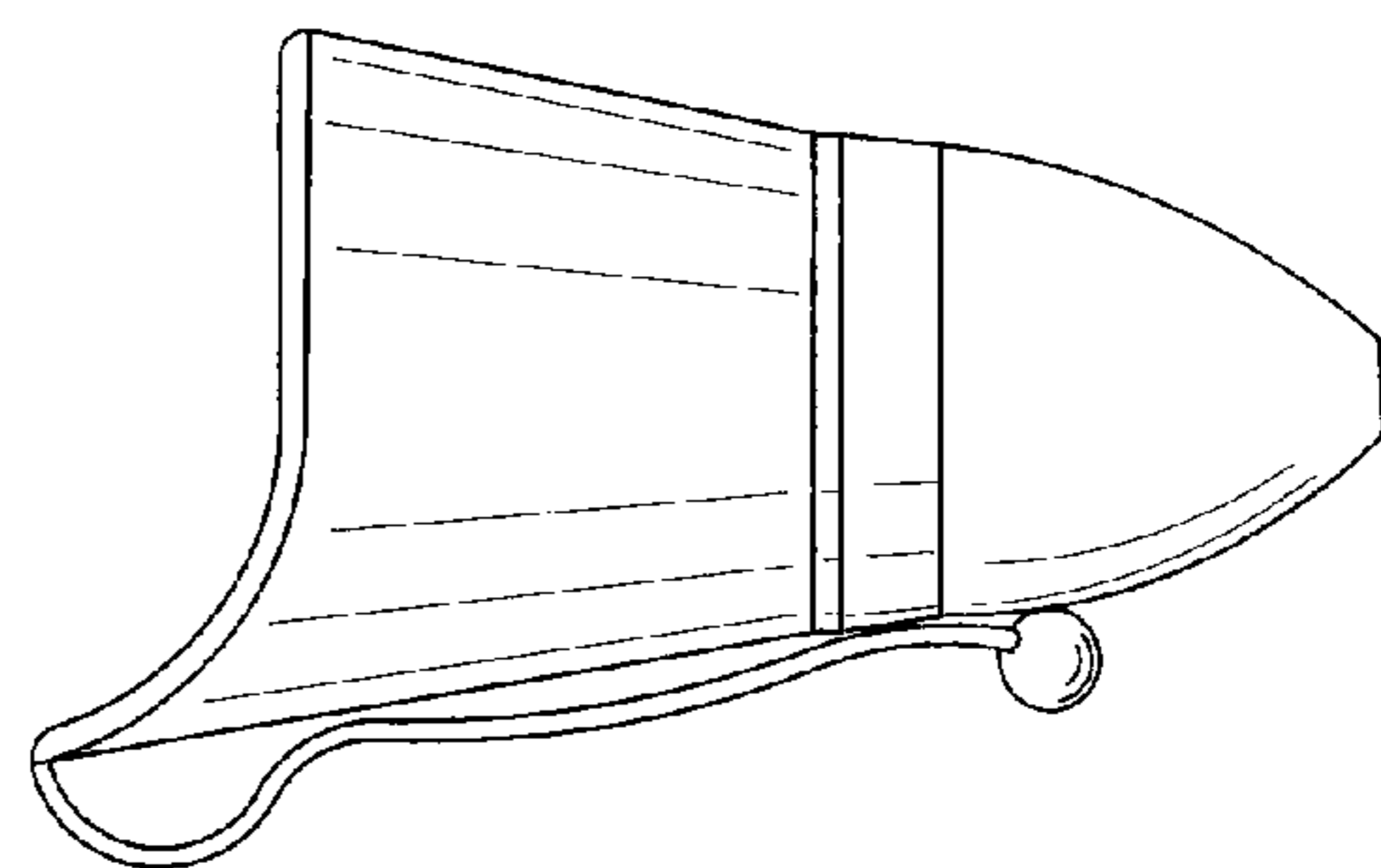


FIG. 5