

US00D570914S

(12) **United States Design Patent**  
**Satoh**

(10) **Patent No.:** **US D570,914 S**  
(45) **Date of Patent:** **\*\* Jun. 10, 2008**

(54) **CAP FOR WRITING INSTRUMENT**

(75) Inventor: **So Satoh**, Tokyo (JP)

(73) Assignee: **Zebra Co., Ltd.**, Shinjuku-Ku, Tokyo (JP)

(\*\*) Term: **14 Years**

(21) Appl. No.: **29/256,557**

(22) Filed: **Mar. 22, 2006**

(30) **Foreign Application Priority Data**

Sep. 26, 2005 (JP) ..... 2005-027666

(51) **LOC (8) Cl.** ..... **19-06**

(52) **U.S. Cl.** ..... **D19/57**

(58) **Field of Classification Search** ..... D19/35,  
D19/36, 41-51; 24/11 R, 11 F, 11 P; 401/52,  
401/99, 100, 104, 105, 106, 107, 108, 109,  
401/192, 195, 196, 243-247

See application file for complete search history.

(56) **References Cited**

**U.S. PATENT DOCUMENTS**

D351,417 S \* 10/1994 Oka ..... D19/57  
D363,308 S \* 10/1995 Sekine ..... D19/48

D421,625 S \* 3/2000 Oka ..... D19/49  
D446,245 S \* 8/2001 Chuang ..... D19/57  
D484,536 S \* 12/2003 Takashi ..... D19/43  
D512,458 S \* 12/2005 Shiina ..... D19/49  
D525,302 S \* 7/2006 Togawa ..... D19/51  
D527,765 S \* 9/2006 Togawa ..... D19/51  
D532,454 S \* 11/2006 Togawa et al. .... D19/51  
D533,591 S \* 12/2006 Togawa ..... D19/49

\* cited by examiner

*Primary Examiner*—Elizabeth A Albert

(74) *Attorney, Agent, or Firm*—Senniger Powers LLP

(57) **CLAIM**

The ornamental design for a cap for writing instrument, as shown and described.

**DESCRIPTION**

FIG. 1 is a right side view of the cap for writing instrument showing my new design;

FIG. 2 is a front elevation view thereof;

FIG. 3 is a rear view thereof;

FIG. 4 is a top plan view thereof;

FIG. 5 is a bottom plan view thereof; and,

FIG. 6 is a perspective view thereof.

**1 Claim, 6 Drawing Sheets**

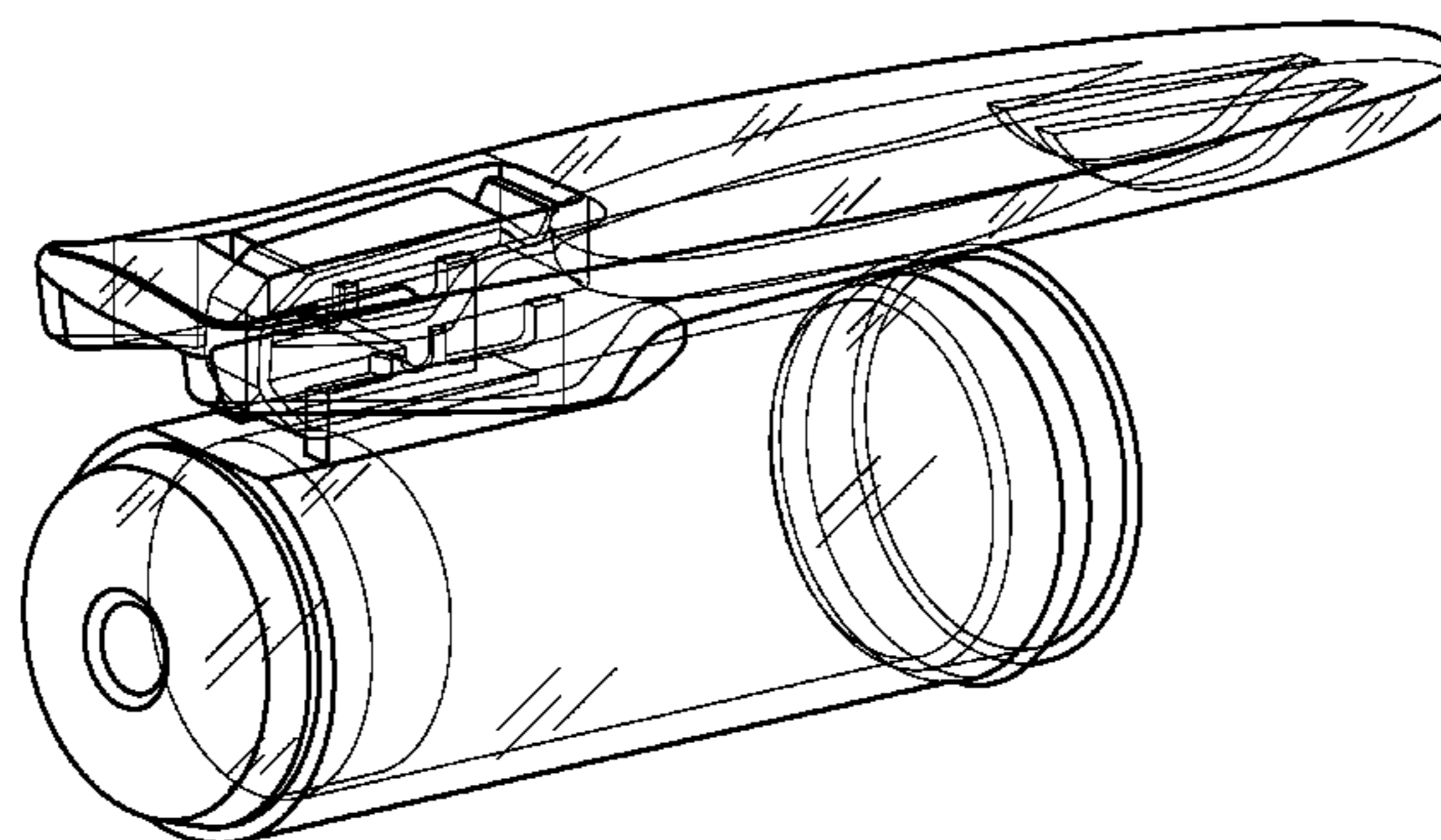
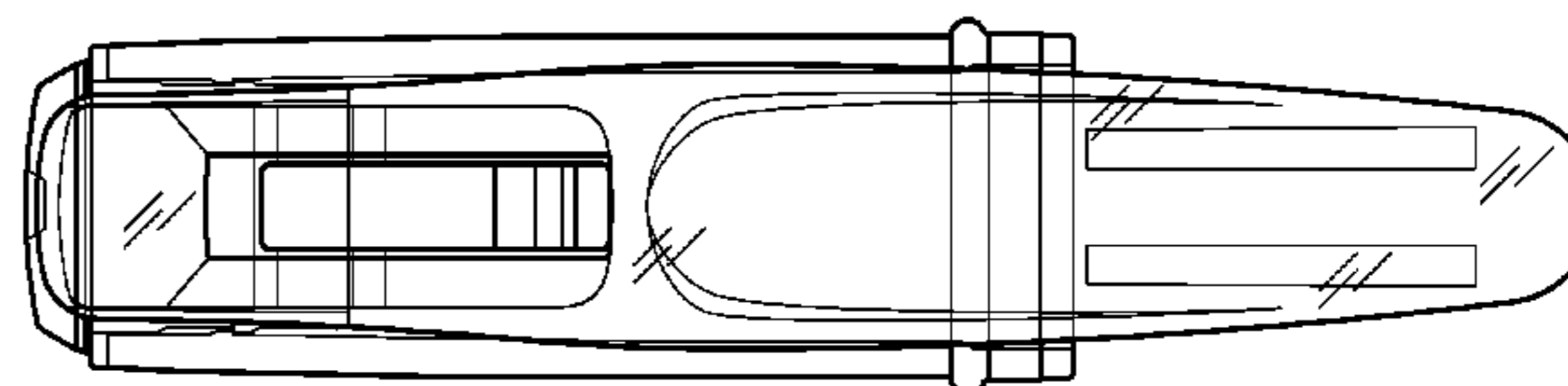
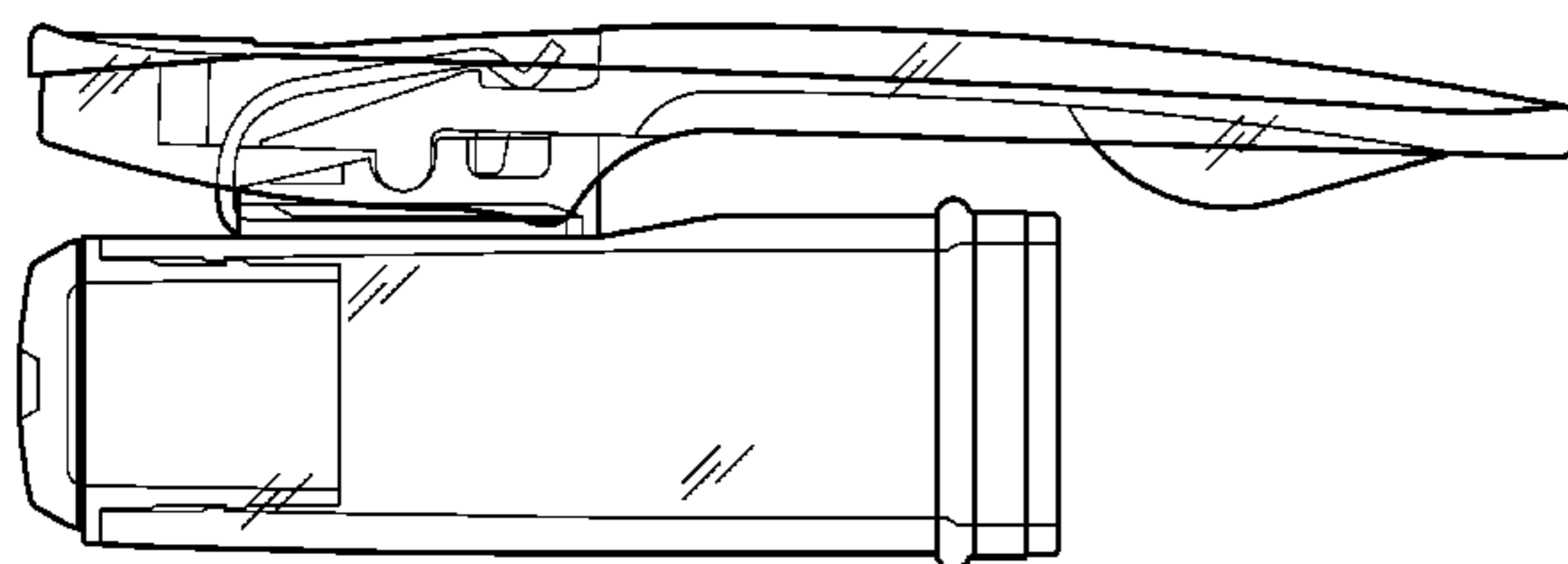


FIG. 1

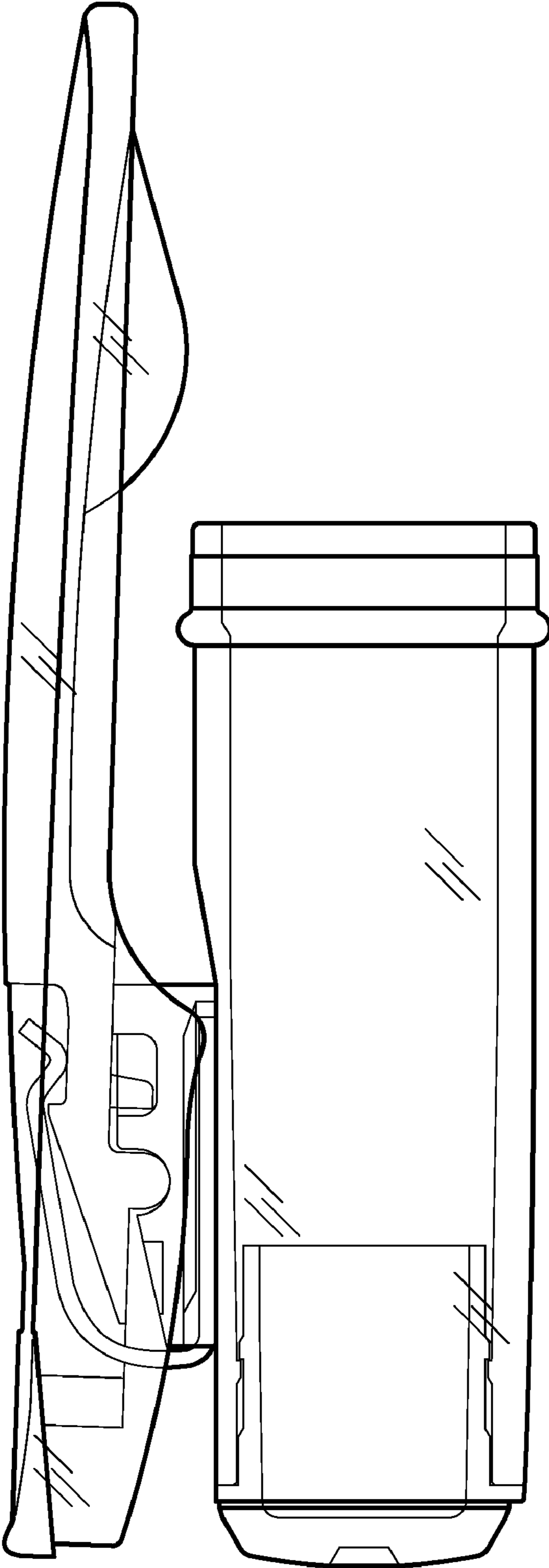


FIG. 2

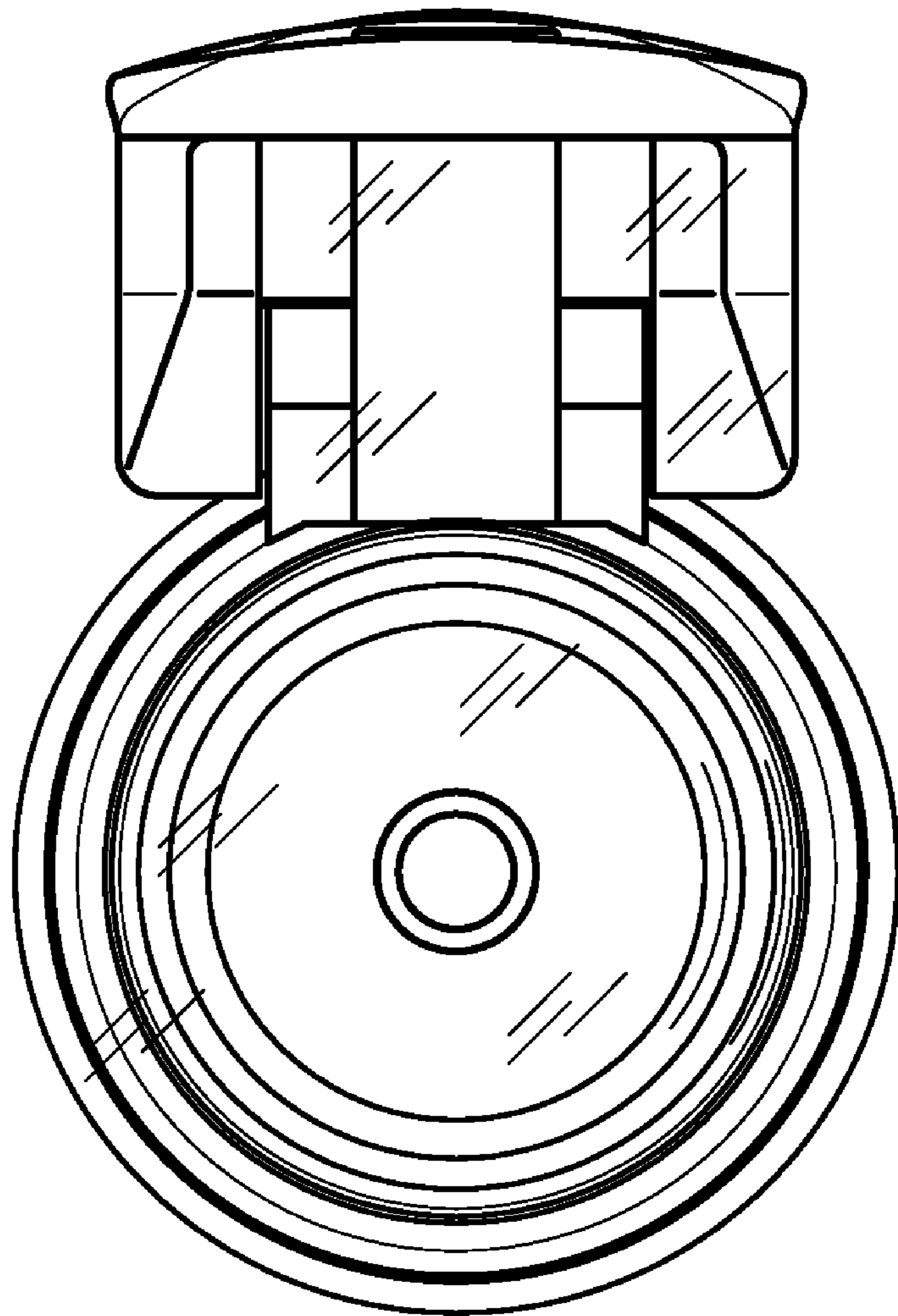
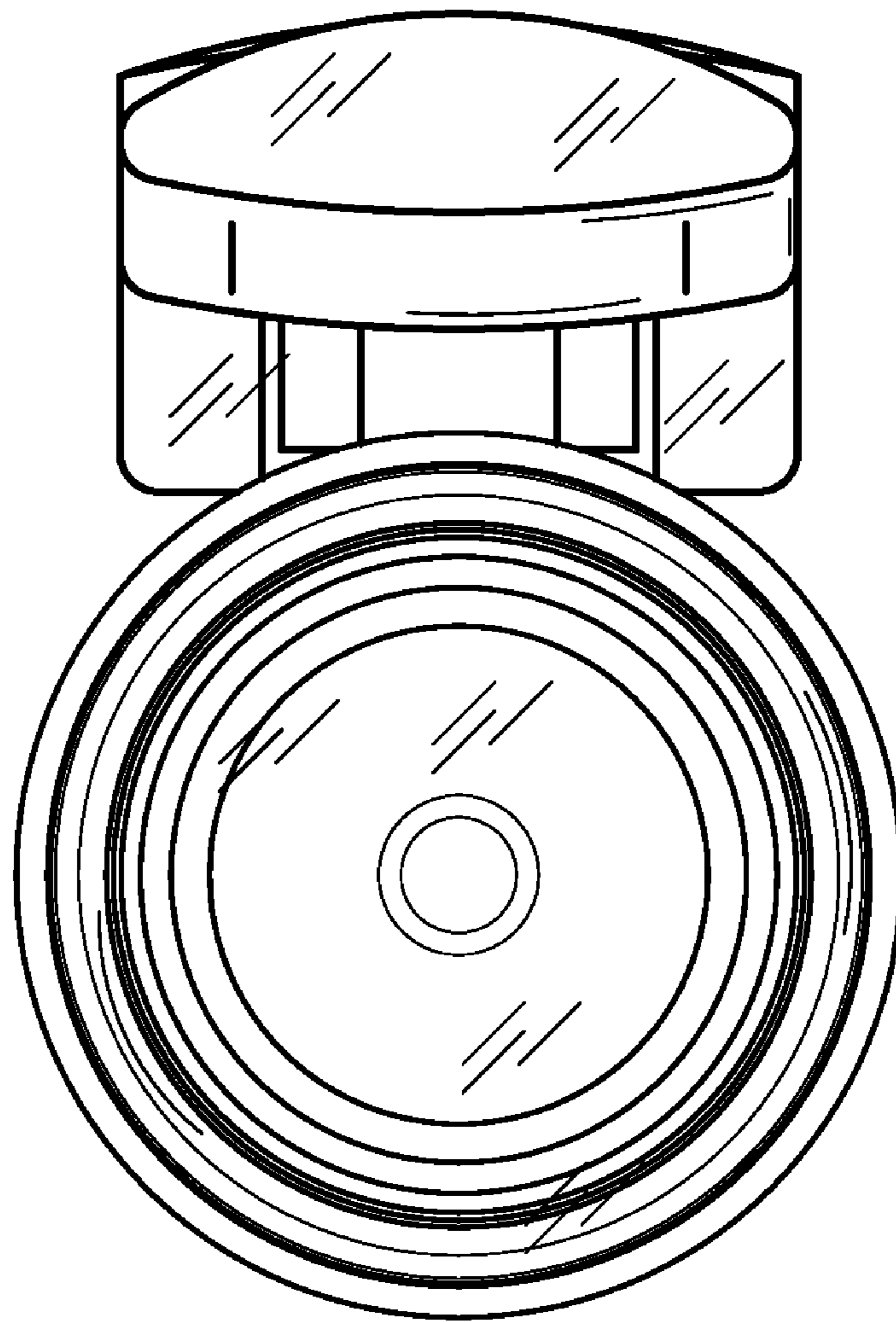


FIG. 3



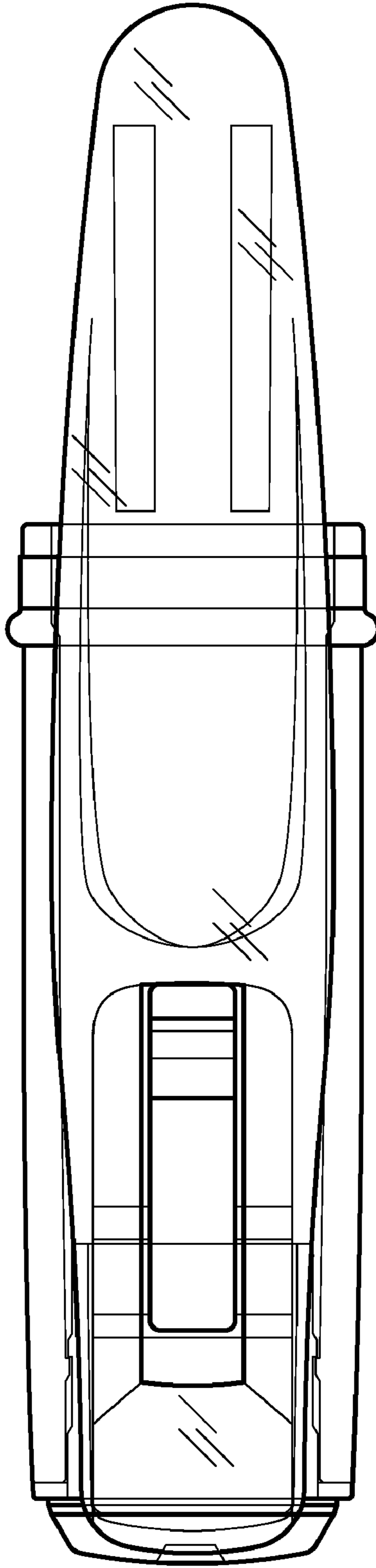


FIG. 4

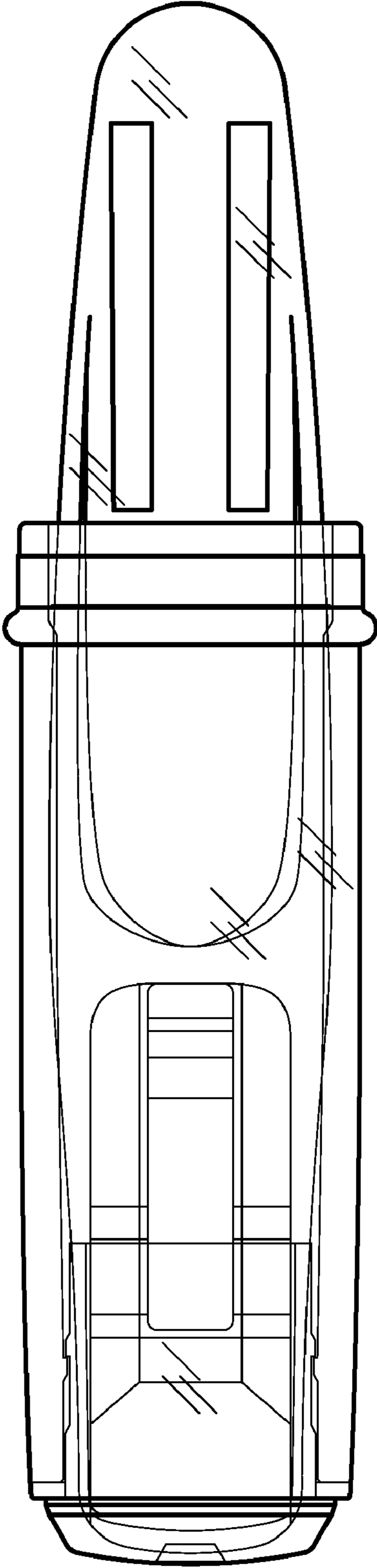


FIG. 5

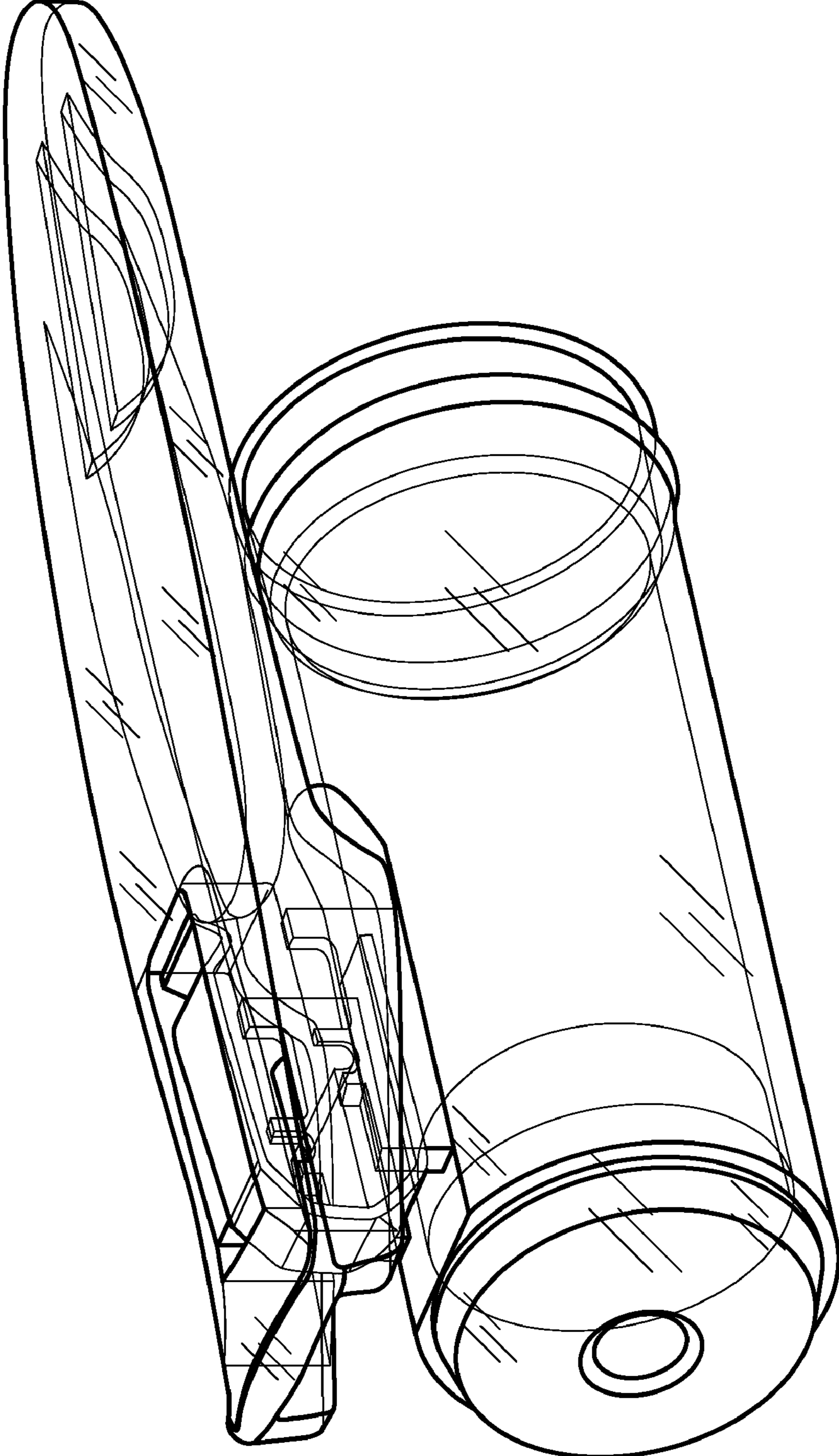


FIG. 6