

US00D570911S

(12) **United States Design Patent**  
**Bharma**

(10) **Patent No.:** **US D570,911 S**  
(45) **Date of Patent:** **\*\* Jun. 10, 2008**

- (54) **BOOK**
- (75) Inventor: **Supriti Bharma**, Vancouver (CA)
- (73) Assignee: **Hartley & Marks Publishers, Inc.**,  
Vancouver, B.C. (CA)
- (\*\*) Term: **14 Years**
- (21) Appl. No.: **29/266,789**
- (22) Filed: **Sep. 27, 2006**
- (51) **LOC (8) Cl.** ..... **19-04**
- (52) **U.S. Cl.** ..... **D19/26**
- (58) **Field of Classification Search** ..... D19/26-27,  
D19/86, 31-34; 281/21.1, 36, 29, 37; 402/73,  
402/500, 79

See application file for complete search history.

(56) **References Cited**  
U.S. PATENT DOCUMENTS

201,450 A	3/1878	Reynolds	
D11,686 S	3/1880	Bainbaridge	D19/3
467,821 A	1/1892	Mets	
673,387 A	5/1901	Dean	402/68
941,525 A	11/1909	Landenberger	229/75
1,023,834 A	4/1912	Gareis	281/31
D118,491 S	1/1940	Bach	D3/249
2,287,149 A	6/1942	Rudolf	
D135,980 S	7/1943	Bach	D3/249
D135,981 S	7/1943	Bach	D3/249
2,533,590 A	12/1950	Kutick, Jr.	
D182,059 S	2/1958	Chase	D3/233
D187,321 S	2/1960	Mayer	D3/247
2,964,227 A	12/1960	Goldsholl	
3,010,571 A	11/1961	Transport	
D250,171 S	11/1978	Yoshimoto	
4,484,768 A	11/1984	Norfleet	
4,749,121 A	6/1988	Barber et al.	
D300,688 S	4/1989	Marks	D3/265
D302,698 S	8/1989	Rexroat et al.	D19/26
D304,343 S	10/1989	Popat et al.	
D308,225 S	5/1990	Dressler	
4,940,352 A	7/1990	Kratzert et al.	402/13
D316,108 S	4/1991	Gerriet	

D323,937 S	2/1992	Solomon	D3/299
5,213,368 A *	5/1993	Wyant	281/18
D358,839 S	5/1995	Lipic	
5,413,430 A	5/1995	Schrem et al.	402/60
D369,182 S *	4/1996	Walli, Jr.	D19/26
D370,691 S	6/1996	Benn	D19/65
5,529,418 A	6/1996	Alotta	
5,553,959 A *	9/1996	Feldman et al.	402/79
5,667,064 A	9/1997	Bauman	
D385,295 S	10/1997	Osiecki et al.	
D394,385 S	5/1998	Laughlin	
5,944,353 A	8/1999	Sato	
D413,725 S	9/1999	Hartmann et al.	
D423,572 S	4/2000	Tedaldi et al.	
6,056,192 A	5/2000	Cameron	229/75

(Continued)

**OTHER PUBLICATIONS**

International Designs Bulletin, Feb. 28, 1997. pp. 6995-6998.

*Primary Examiner*—Elizabeth A. Albert  
*Assistant Examiner*—Kelley A Donnelly  
(74) *Attorney, Agent, or Firm*—Wells St. John, P.S.

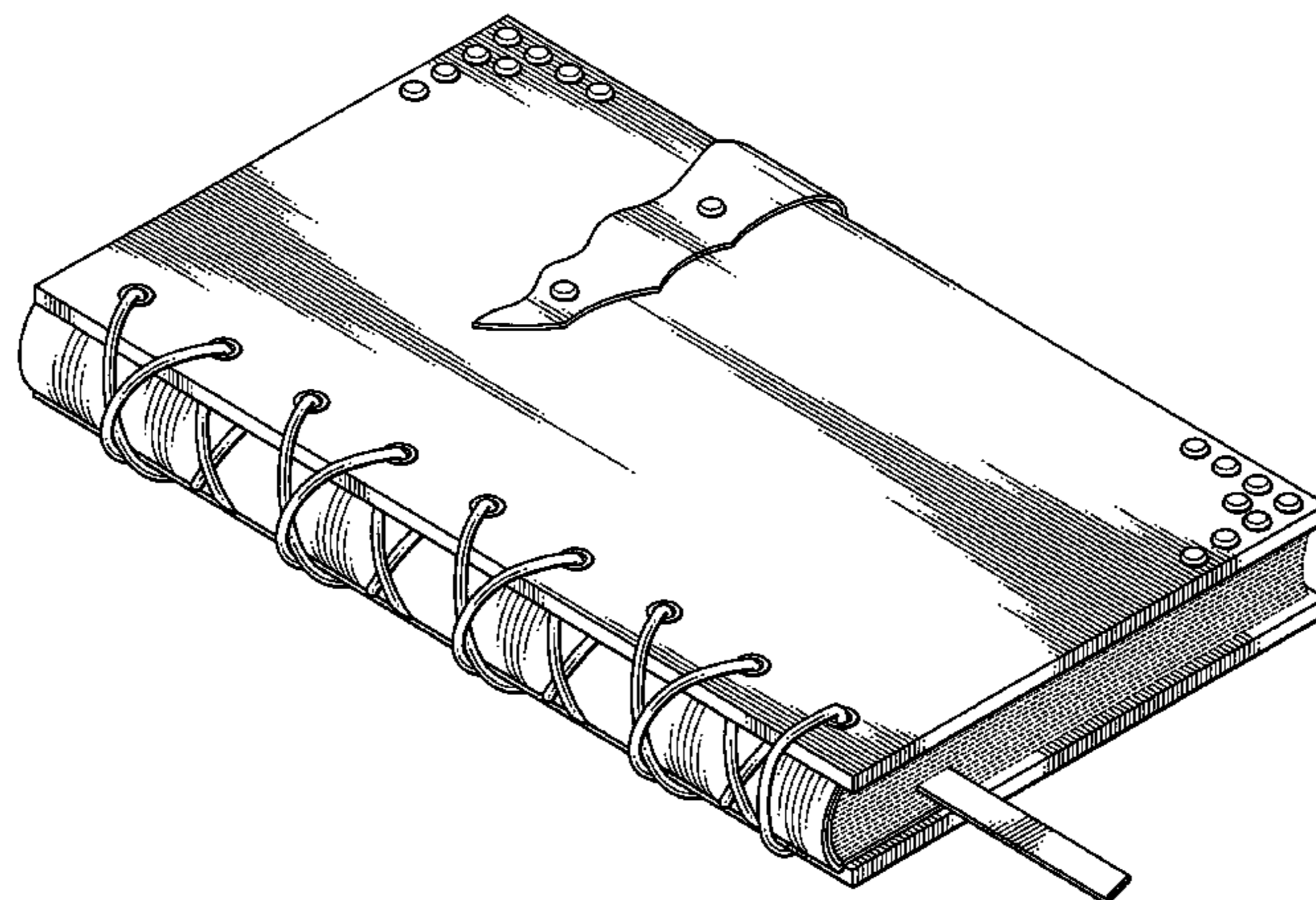
(57) **CLAIM**

I claim the ornamental design for a book, as shown and described.

**DESCRIPTION**

FIG. 1 is a perspective view of a book showing my new design;  
FIG. 2 is a front side view thereof;  
FIG. 3 is a rear side view thereof;  
FIG. 4 is a left side view thereof;  
FIG. 5 is a right side view thereof;  
FIG. 6 is a top view thereof; and,  
FIG. 7 is a bottom view thereof.  
Broken lines in the drawings are for environmental purposes only and form no part of the claimed design.

**1 Claim, 5 Drawing Sheets**



# US D570,911 S

Page 2

## U.S. PATENT DOCUMENTS

D426,262 S	6/2000	Humphrey		D503,195 S	3/2005	de la Rosa Luna Para	
D436,533 S	1/2001	Correll		D513,038 S	12/2005	Ong	
6,220,436 B1	4/2001	Chung		D520,057 S	5/2006	Hamel	
D447,689 S	9/2001	Navet et al.		D523,078 S	6/2006	Ong	
D449,927 S	11/2001	Dorizas		7,100,765 B2 *	9/2006	Collins, IV	206/308.1
D455,781 S	4/2002	Jobelius et al.		7,232,157 B2 *	6/2007	Amaral	281/38
6,419,416 B1	7/2002	Tomoda		D547,372 S *	7/2007	Bharma	D19/26
D467,966 S	12/2002	Lepisto		2003/0071454 A1	4/2003	Muchin et al.	
D474,966 S	5/2003	Schrem et al.	D9/433	2004/0035720 A1	2/2004	Hsieh	
D477,634 S	7/2003	Malone		2004/0129198 A1 *	7/2004	Wu	116/239
D481,074 S	10/2003	Shapiro et al.	D19/90	2004/0253046 A1	12/2004	Africa et al.	402/73
D489,255 S	5/2004	Kratzert et al.	D9/433	2005/0012016 A1 *	1/2005	Teuscher	248/460
D499,761 S	12/2004	Walley et al.	D19/26	2005/0042021 A1	2/2005	McArthur	
D502,502 S	3/2005	Brann					

\* cited by examiner

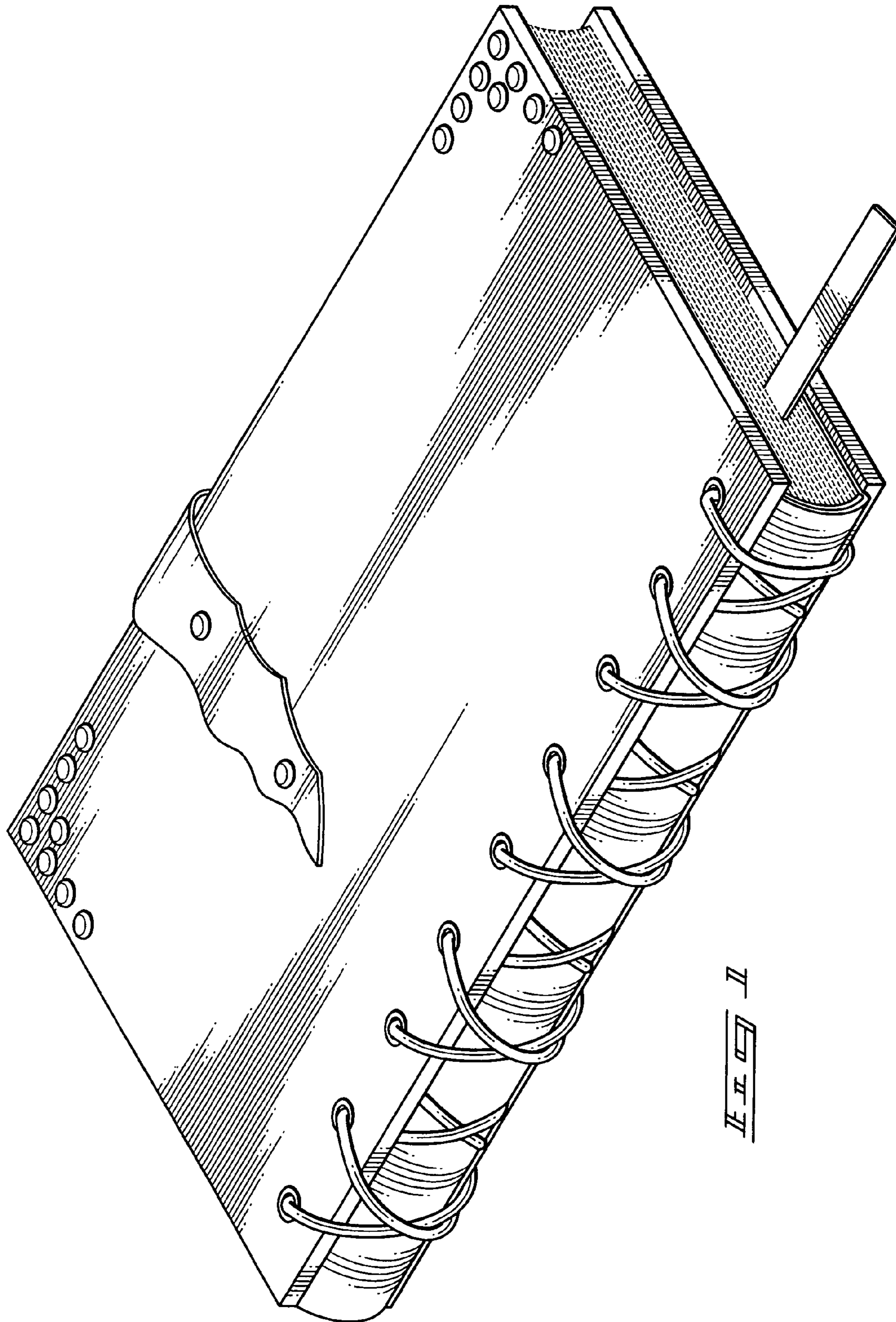
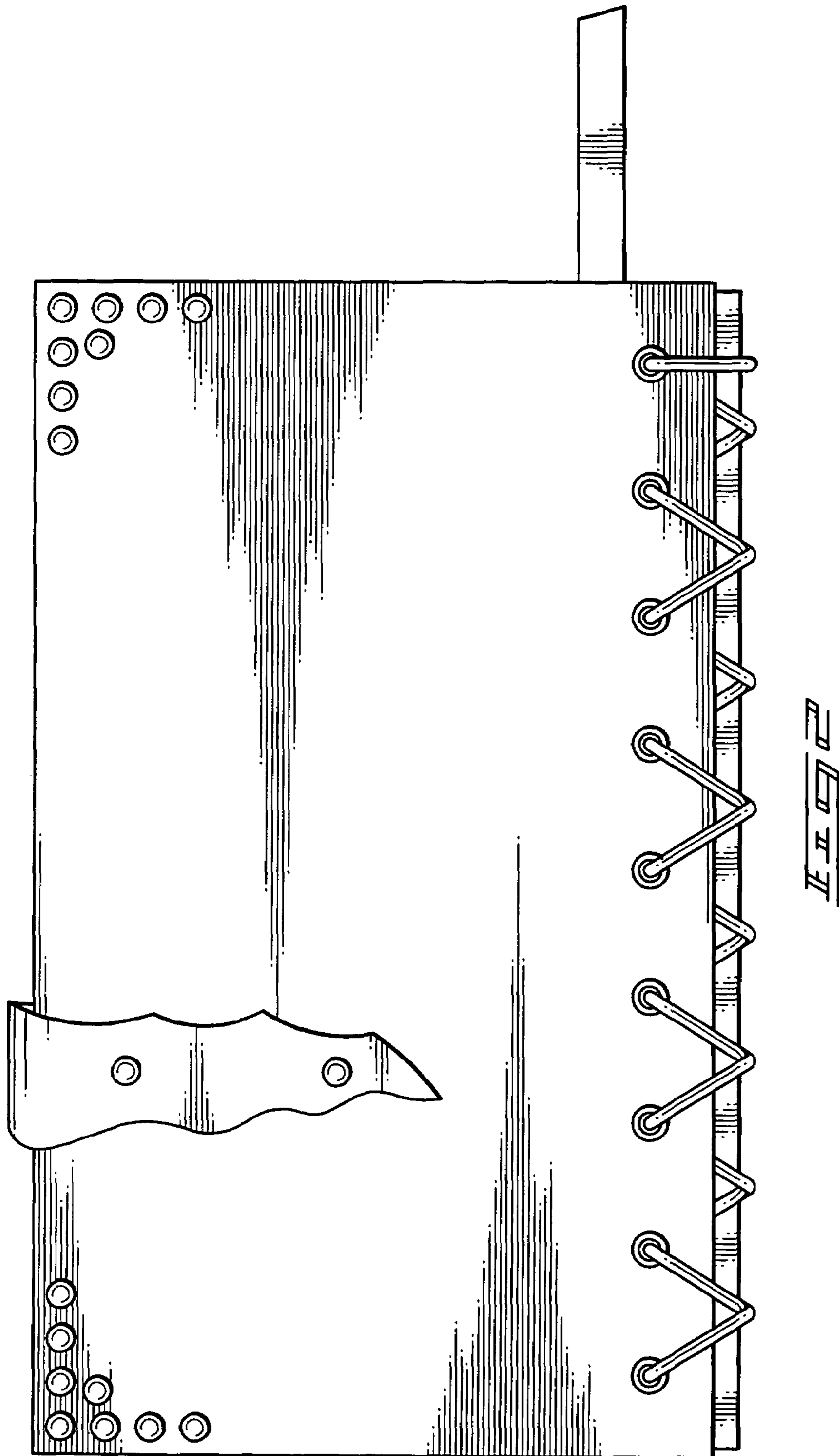


FIG. 1



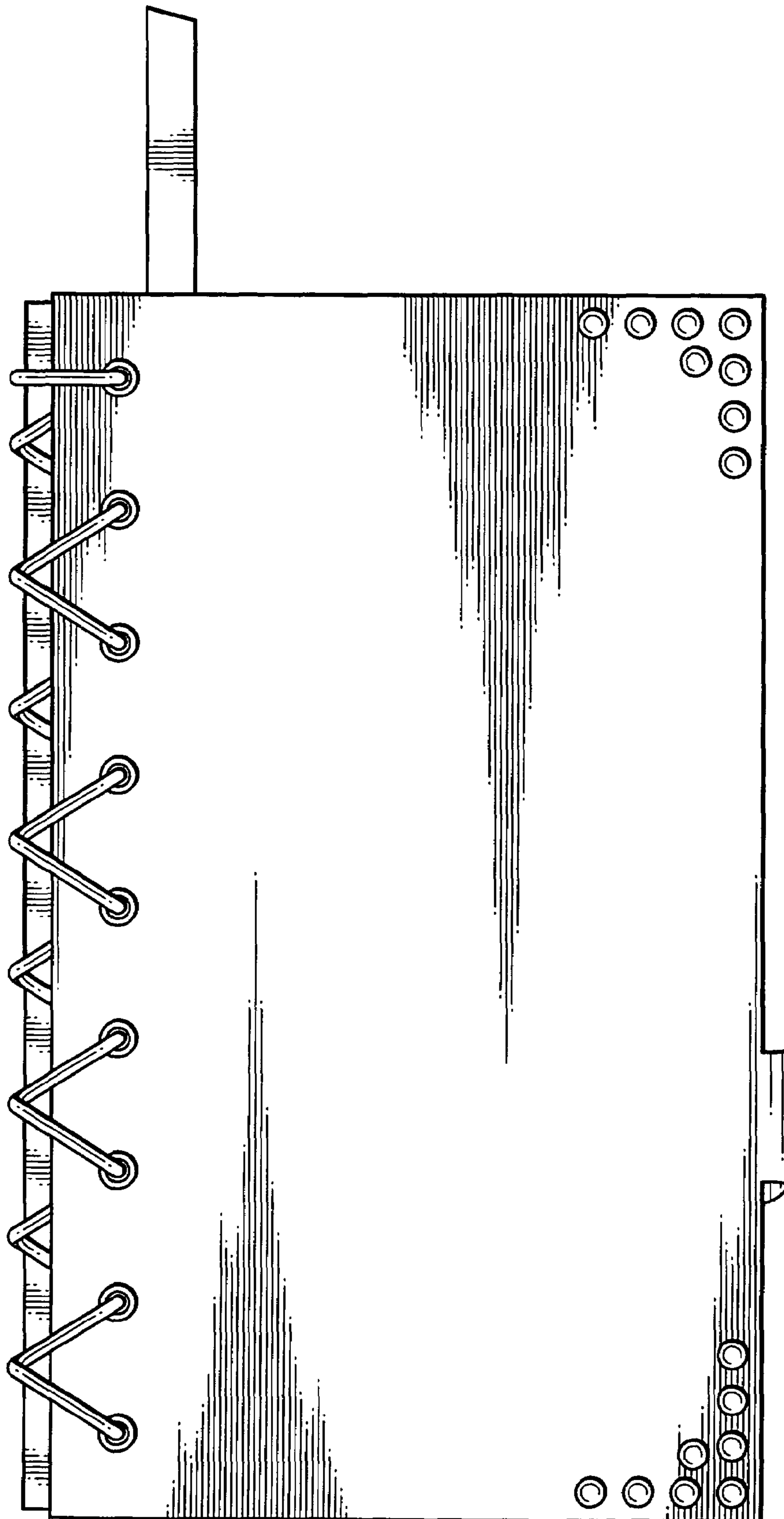


FIG. 3

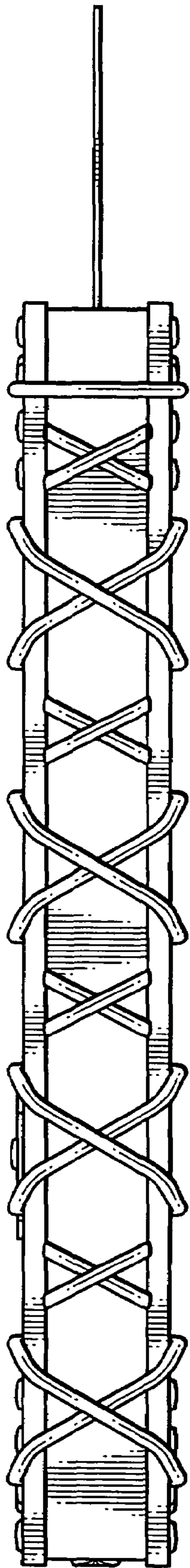


FIG. 4

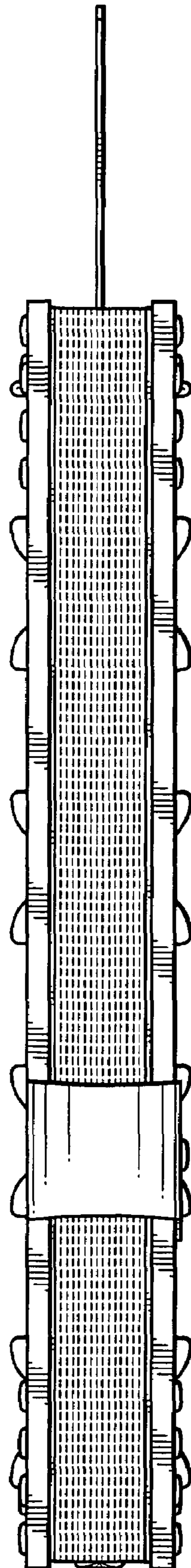


FIG. 5

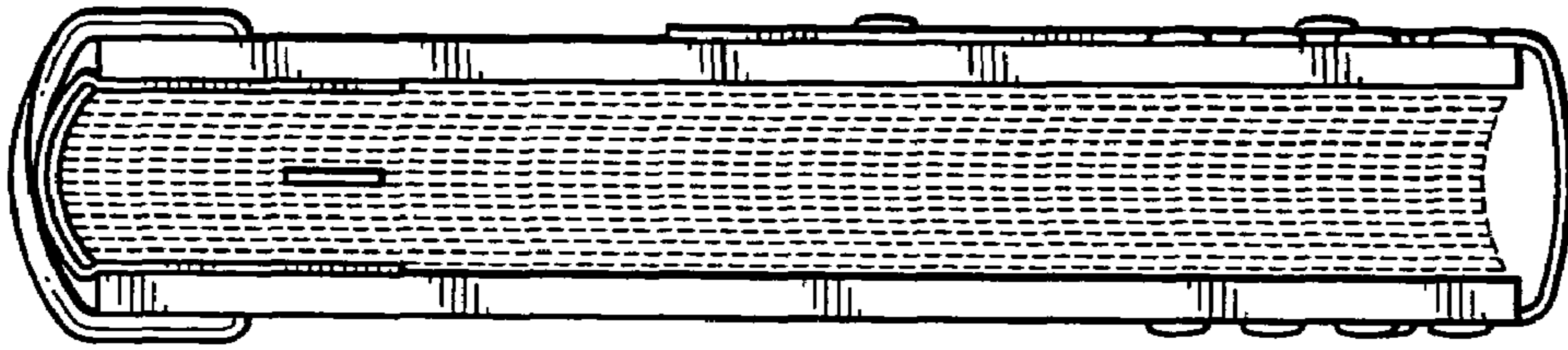


FIG. 1

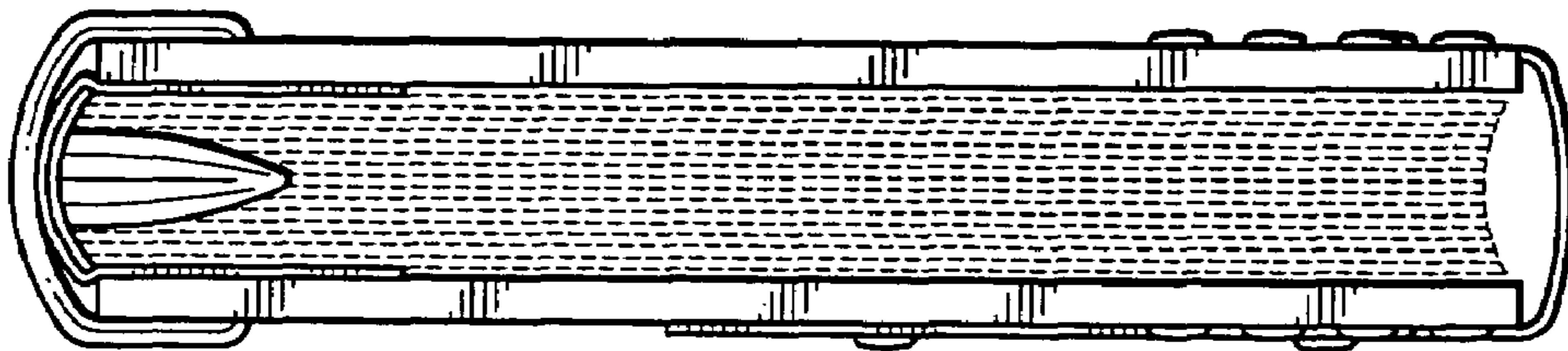


FIG. 2

UNITED STATES PATENT AND TRADEMARK OFFICE  
**CERTIFICATE OF CORRECTION**

PATENT NO. : Des. 570,911 S  
APPLICATION NO. : 29/266789  
DATED : June 10, 2008  
INVENTOR(S) : Supriti Bharna

Page 1 of 1

It is certified that error appears in the above-identified patent and that said Letters Patent is hereby corrected as shown below:

Title Page; item (56);  
Page 1, U.S. PATENT DOCUMENTS, column 2, please insert  
-- 6,179,332, 1/2001, Funkhouser -- after "6,056,192 A"

Signed and Sealed this

Second Day of September, 2008

A handwritten signature in black ink that reads "Jon W. Dudas". The signature is written in a cursive style with a large, looped initial "J".

JON W. DUDAS

*Director of the United States Patent and Trademark Office*