



US00D570910S

(12) **United States Design Patent**
Parker et al.

(10) **Patent No.:** **US D570,910 S**
(45) **Date of Patent:** **** Jun. 10, 2008**

- (54) **FINANCIAL TRANSACTION CARD WITH STAKE**
- (75) Inventors: **Jamie Parker**, Saint Paul, MN (US);
Heidi Schweigert, Golden Valley, MN (US)
- (73) Assignee: **Target Brands, Inc.**, Minneapolis, MN (US)

- D481,067 S * 10/2003 Haas D19/2
- D487,907 S * 3/2004 Kumakura D20/22
- D493,492 S * 7/2004 Best et al. D20/27
- D493,840 S * 8/2004 Best et al. D20/27
- D504,159 S * 4/2005 Best et al. D20/27
- 7,065,195 B1 6/2006 Smith et al.
- D531,755 S * 11/2006 Taylor D20/40
- D533,220 S * 12/2006 Graves et al. D19/9
- D561,252 S * 2/2008 Phillips et al. D19/10
- 2006/0231609 A1 10/2006 Lazarowicz et al.

- (**) Term: **14 Years**
- (21) Appl. No.: **29/278,689**
- (22) Filed: **Apr. 5, 2007**

* cited by examiner

Primary Examiner—Louis S Zarfes
Assistant Examiner—David G Muller
(74) *Attorney, Agent, or Firm*—Ingrassia Fisher & Lorenz, P.C.

- (51) **LOC (8) Cl.** **19-01**
- (52) **U.S. Cl.** **D19/9**
- (58) **Field of Classification Search** D19/1–34;
40/124.01–124.15, 672, 661, 726, 776, 617;
283/72, 74, 75, 103, 105, 106; 206/449;
D21/385; D20/10, 22, 27, 40, 42, 11; D14/435–437
See application file for complete search history.

(57) **CLAIM**

The ornamental design for a financial transaction card with stake, as shown and described.

DESCRIPTION

FIG. 1 is a front perspective view of a first embodiment of a financial transaction card with stake showing our new design;

FIG. 2 a front view thereof;

FIG. 3 is a rear view thereof;

FIG. 4 is a top view thereof;

FIG. 5 is a bottom view thereof;

FIG. 6 is a right side view thereof; and,

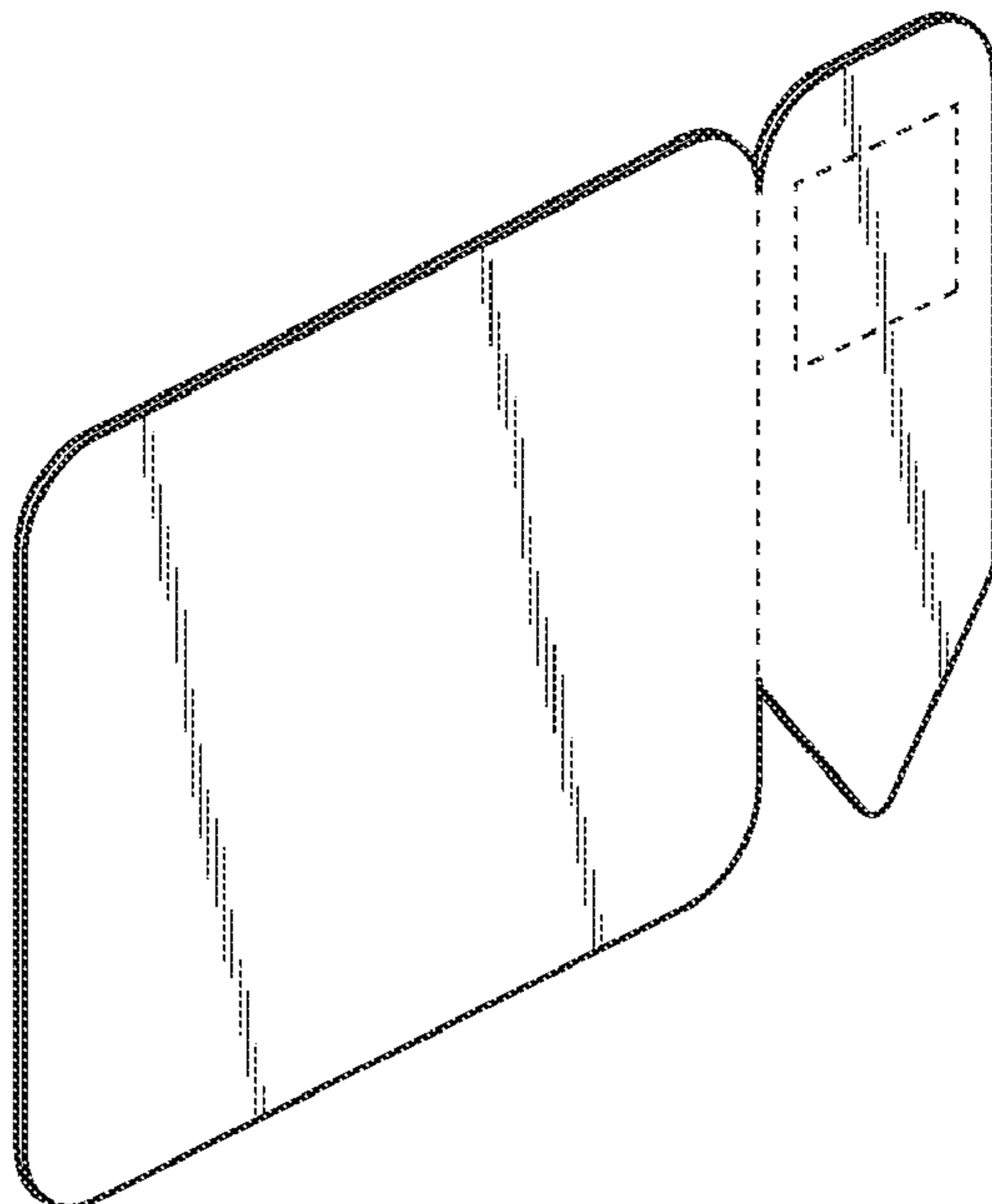
FIG. 7 is a left side view thereof.

The broken lines shown in the figures are for illustrative purposes only and form no part of the claimed design.

(56) **References Cited**
U.S. PATENT DOCUMENTS

- 2,294,567 A 9/1942 Mooney
- 2,461,054 A 2/1949 Green
- 3,098,320 A 7/1963 Estkowski
- 3,908,308 A 9/1975 Meyers
- D332,113 S * 12/1992 Yates D19/34
- 5,210,975 A 5/1993 Beckerman
- 5,570,081 A * 10/1996 Holstrom 283/74
- 5,720,129 A 2/1998 Lantinberg
- D432,174 S * 10/2000 Stevens et al. D20/22
- D432,176 S * 10/2000 Stevens et al. D20/22
- D454,910 S 3/2002 Smith et al.
- D458,633 S * 6/2002 Nada et al. D19/26
- 6,588,658 B1 7/2003 Blank

1 Claim, 2 Drawing Sheets



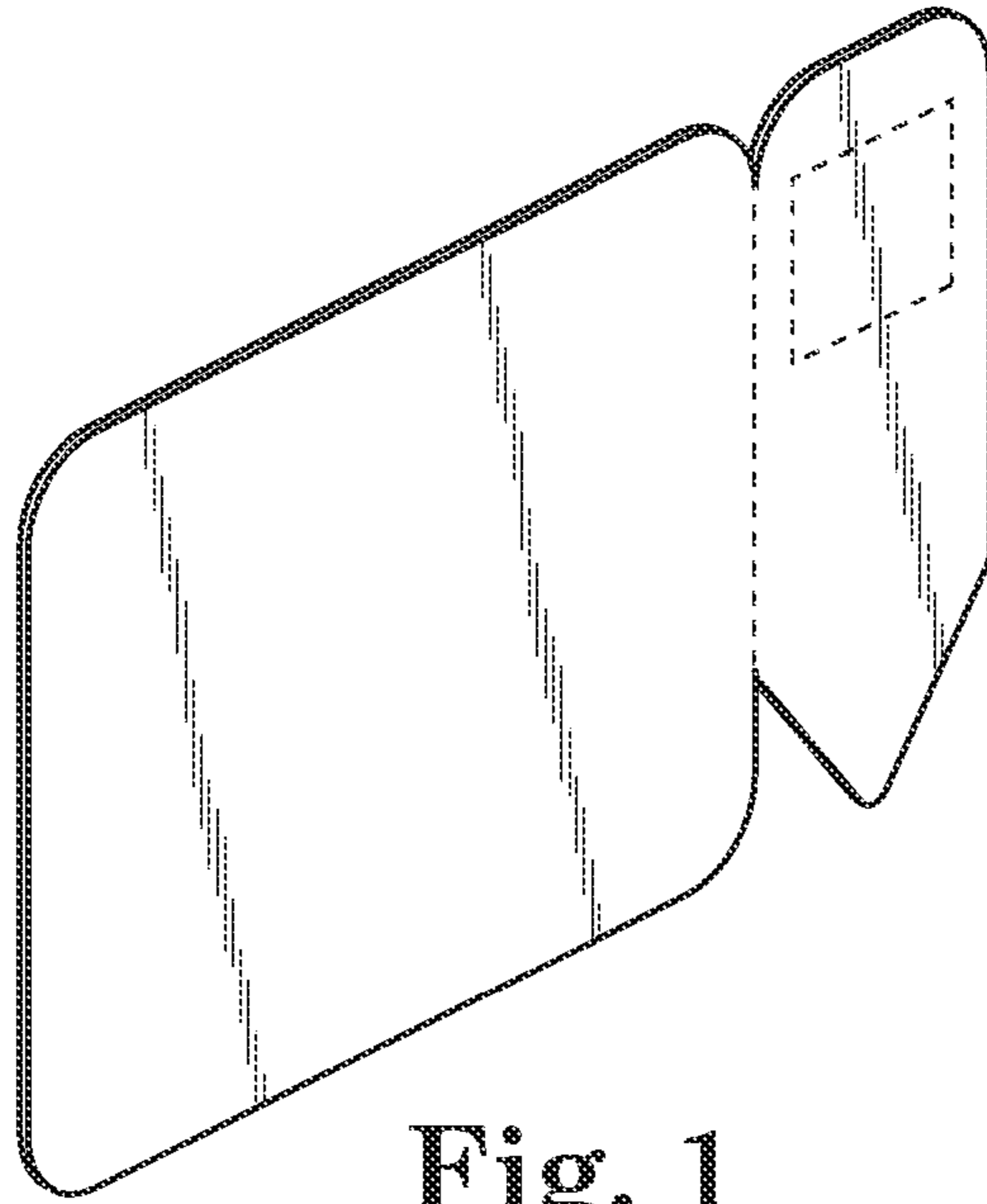


Fig. 1

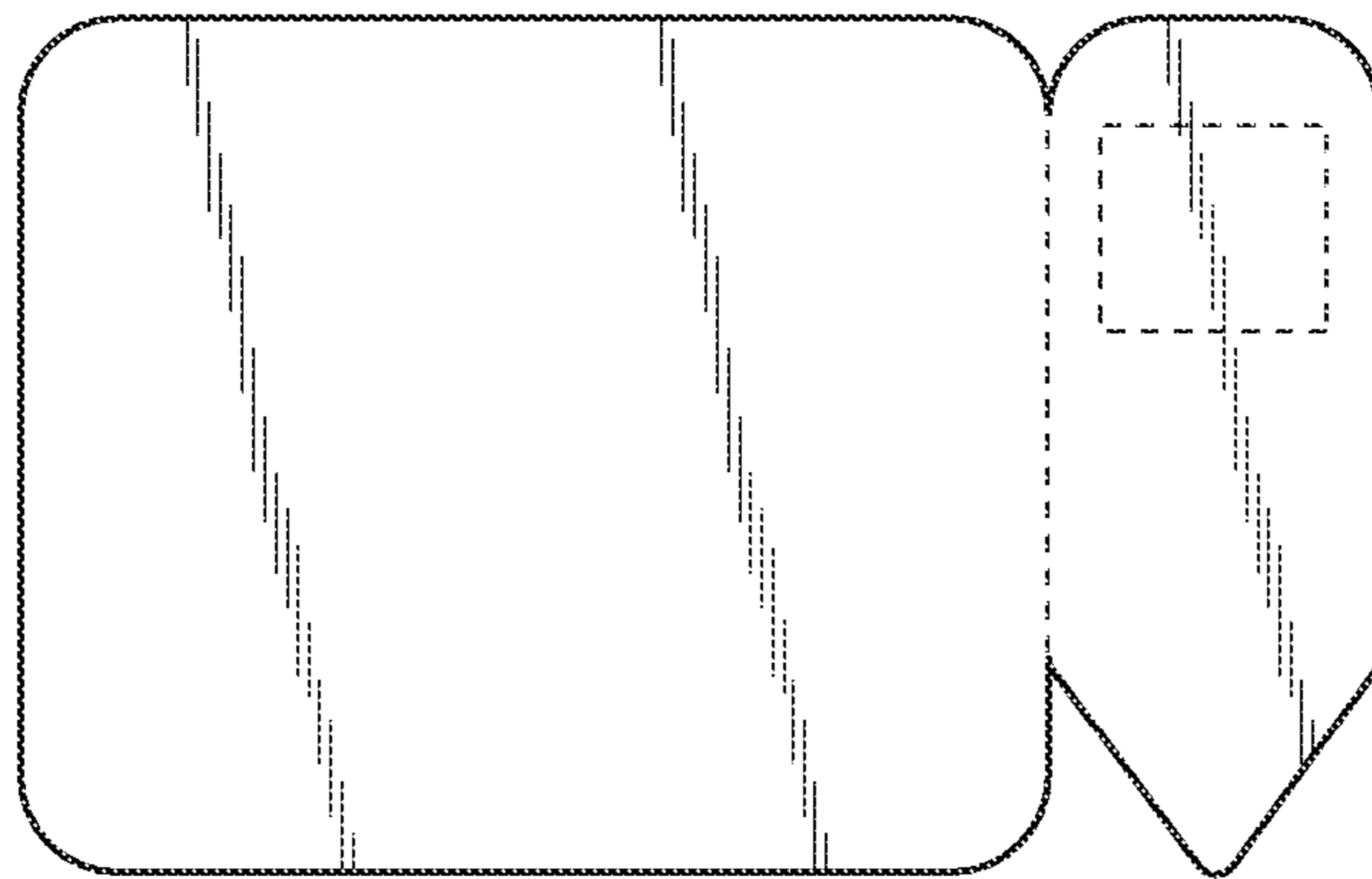


Fig. 2

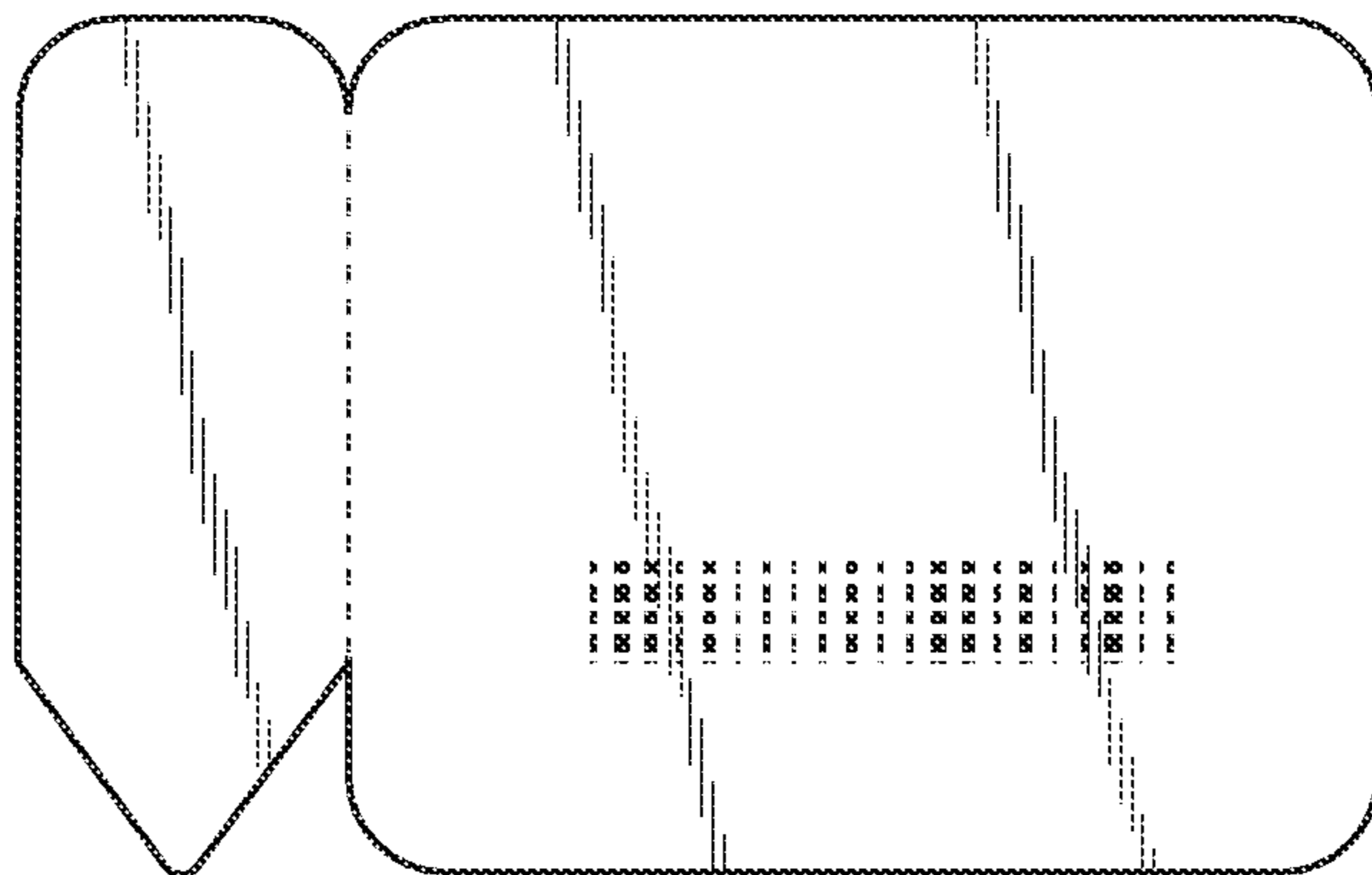


Fig. 3

Fig. 4

Fig. 5

Fig. 6

Fig. 7