



US00D570904S

(12) **United States Design Patent**  
**Uemura et al.**

(10) **Patent No.:** **US D570,904 S**  
(45) **Date of Patent:** **\*\* \*Jun. 10, 2008**

(54) **TONER CARTRIDGE**

D552,671 S \* 10/2007 Uemura et al. .... D18/43

(75) Inventors: **Kenichi Uemura**, Toyohashi (JP);  
**Ryouichi Fujimoto**, Toyohashi (JP)

FOREIGN PATENT DOCUMENTS

JP 1231039 2/2005  
JP 1232764 3/2005

(73) Assignee: **Konica Minolta Business Technologies, Inc.**, Chiyoda-Ku, Tokyo (JP)

\* cited by examiner

(\*) Notice: This patent is subject to a terminal disclaimer.

*Primary Examiner*—Caron D. Veynar  
*Assistant Examiner*—Garth Rademaker  
(74) *Attorney, Agent, or Firm*—Buchanan Ingersoll & Rooney PC

(\*\*) Term: **14 Years**

(57) **CLAIM**

(21) Appl. No.: **29/262,105**

The ornamental design for a toner cartridge, as shown and described.

(22) Filed: **Jun. 27, 2006**

(30) **Foreign Application Priority Data**

**DESCRIPTION**

Dec. 28, 2005 (JP) ..... 2005-038686

FIG. 1 is a top, front and left side perspective view of a toner cartridge showing our new design;

(51) **LOC (8) Cl.** ..... **16-03**

FIG. 2 is a front elevational view thereof;

(52) **U.S. Cl.** ..... **D18/43**

FIG. 3 is a rear elevational view thereof;

(58) **Field of Classification Search** ..... D14/471;  
D18/12, 36, 40, 43, 44, 56; 222/DIG. 1;  
347/197, 222; 399/24–28, 107–112, 119,  
399/121, 122, 222–224

FIG. 4 is a right side view thereof;

FIG. 5 is a left side view thereof;

See application file for complete search history.

FIG. 6 is a top plan view thereof;

FIG. 7 is a bottom plan view thereof;

(56) **References Cited**

U.S. PATENT DOCUMENTS

D477,631 S \* 7/2003 Mori et al. .... D18/40  
6,782,219 B2 \* 8/2004 Yoshino et al. .... 399/119  
D500,075 S \* 12/2004 Okamoto et al. .... D18/43  
7,082,276 B2 \* 7/2006 Karakama et al. .... 399/111  
D546,381 S \* 7/2007 Uemura et al. .... D18/43

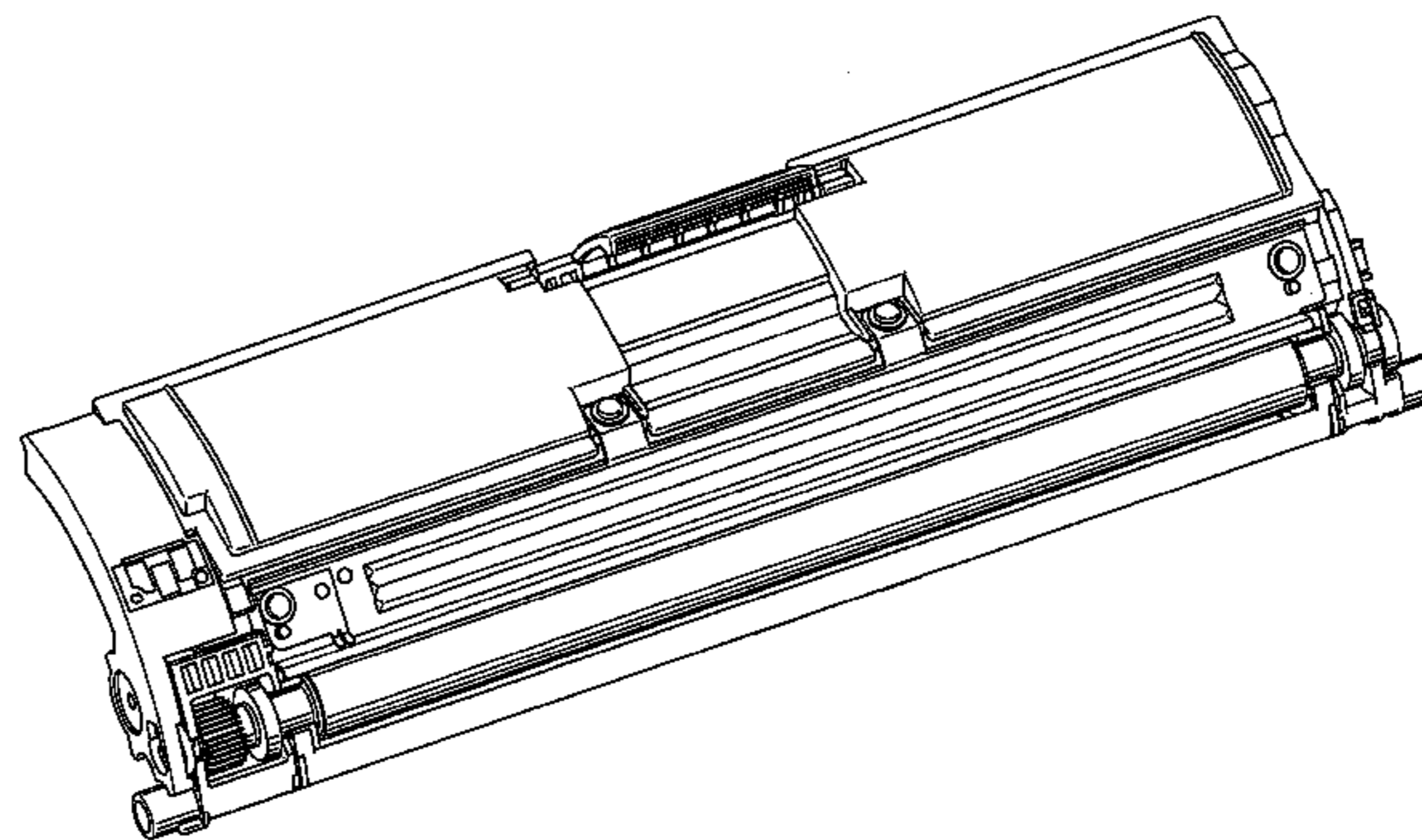
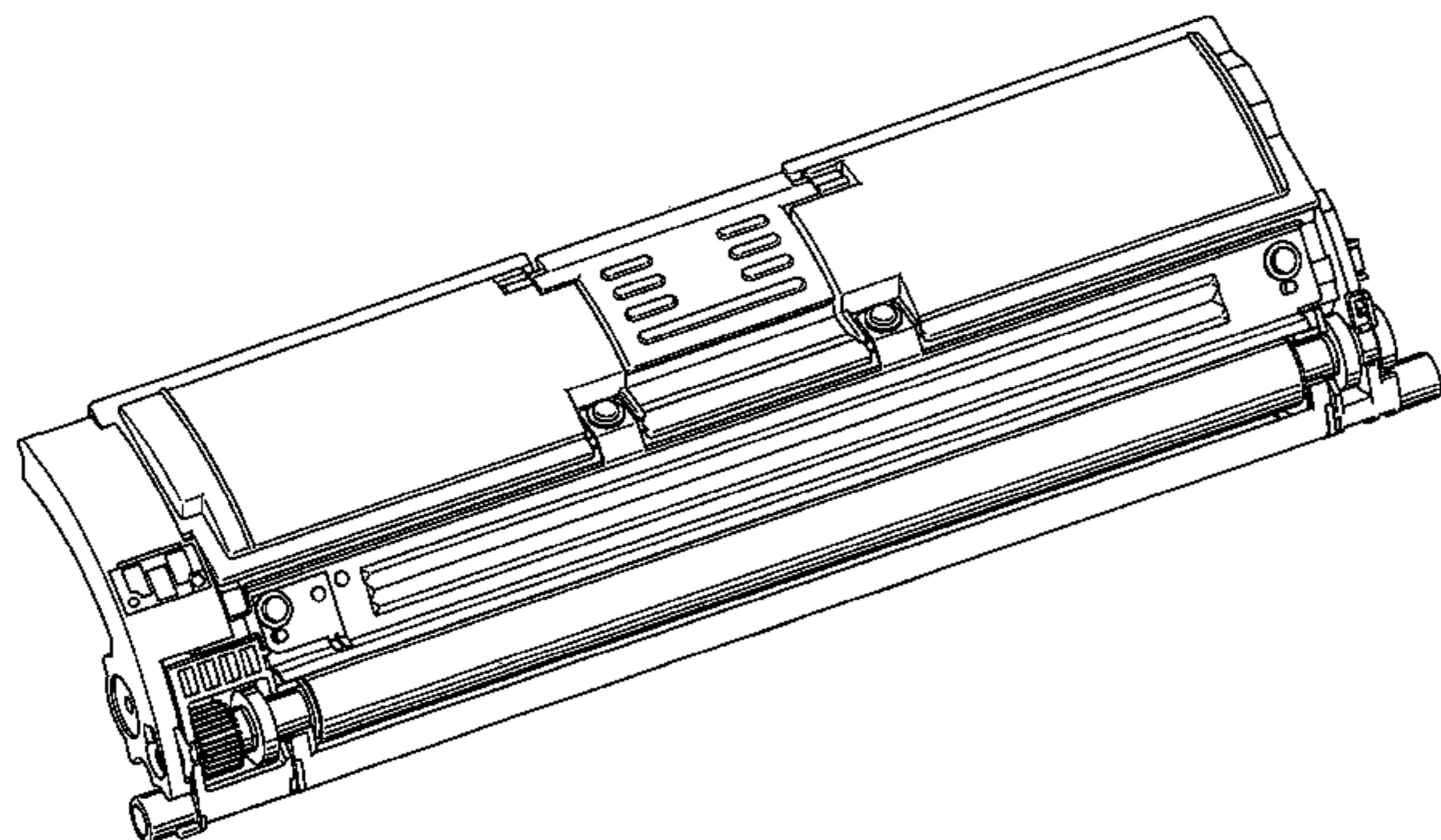
FIG. 8 is a top, front and left side perspective view thereof, shown in an alternate position of use;

FIG. 9 is a front elevational view thereof; and,

FIG. 10 is a rear elevational view thereof.

The broken lines depict environmental subject matter only and form no part of the claimed design.

**1 Claim, 9 Drawing Sheets**



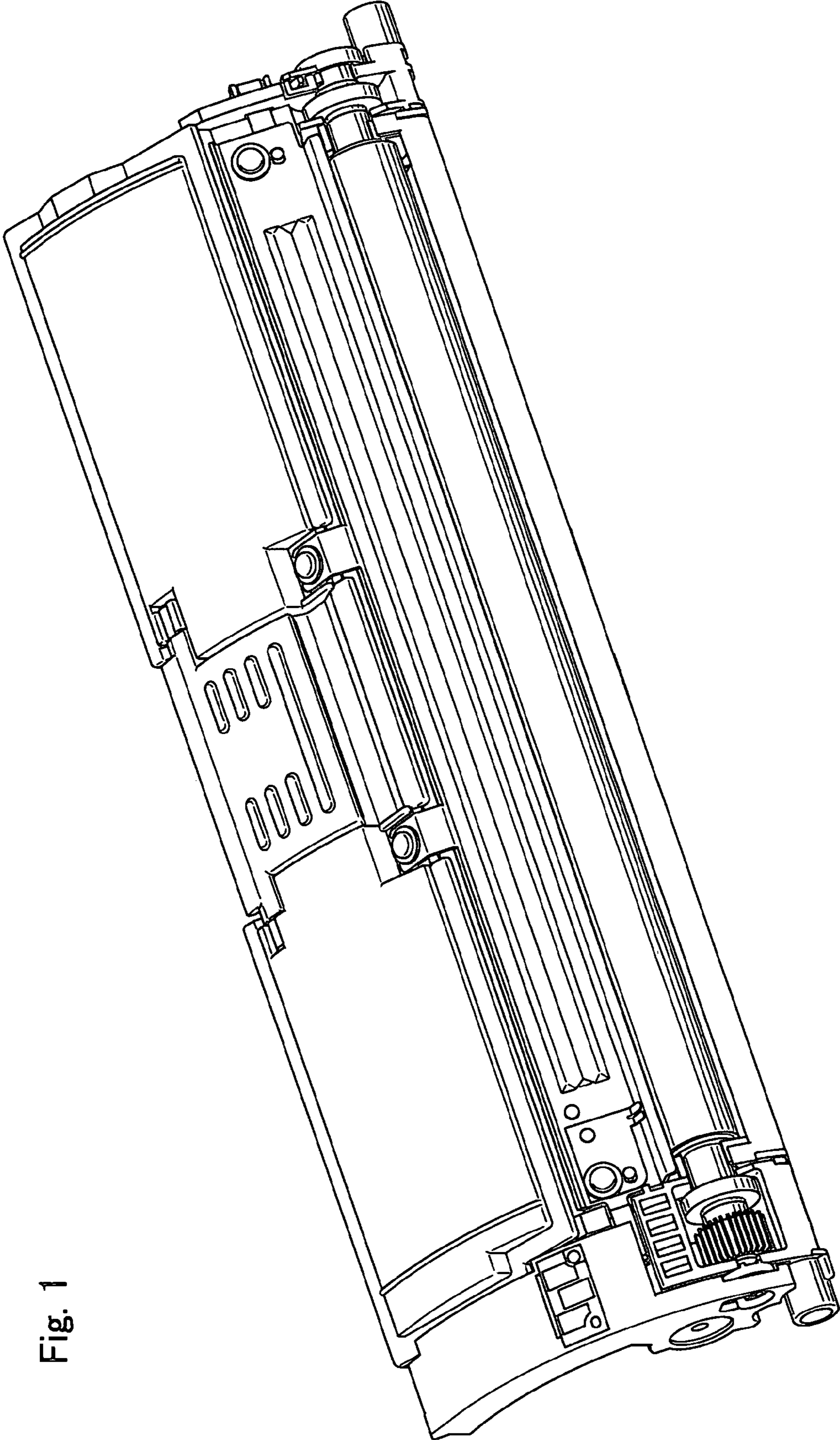


Fig. 1

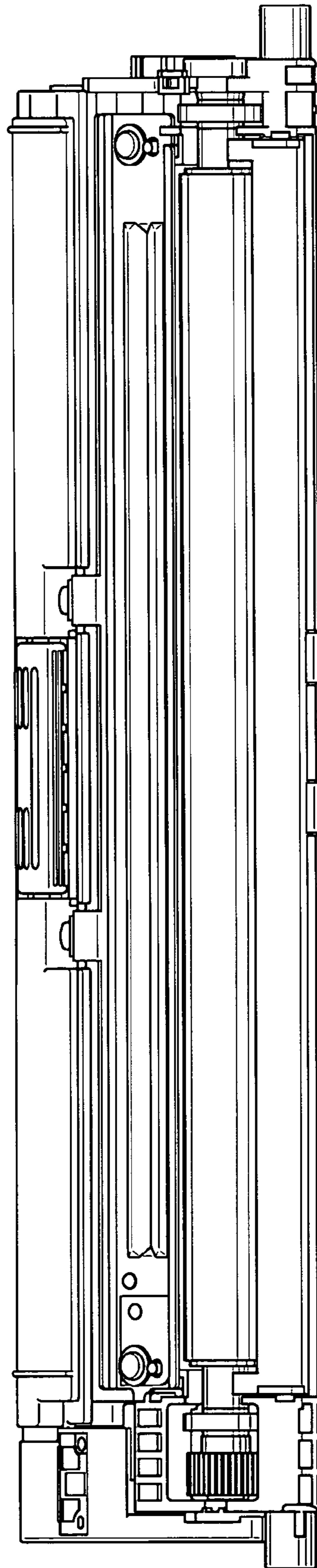


Fig. 2

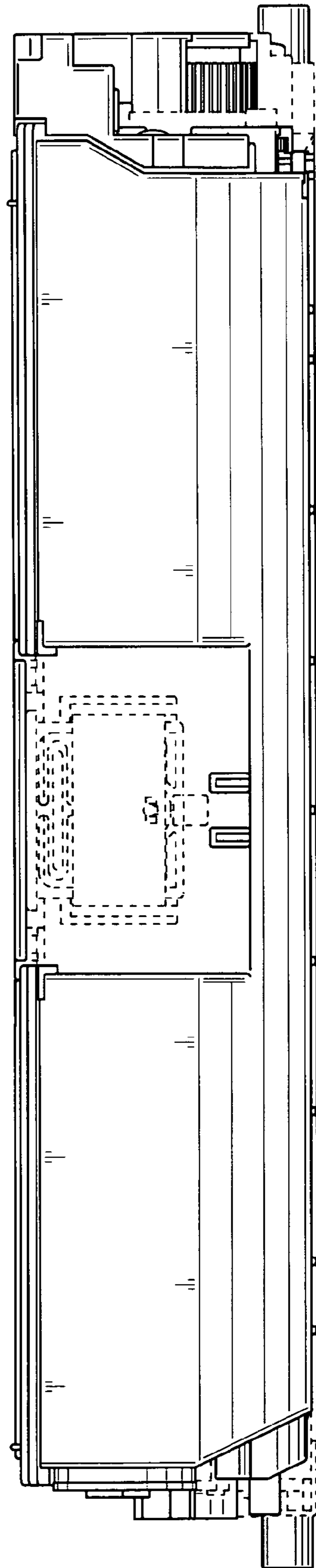


Fig. 3

Fig. 5

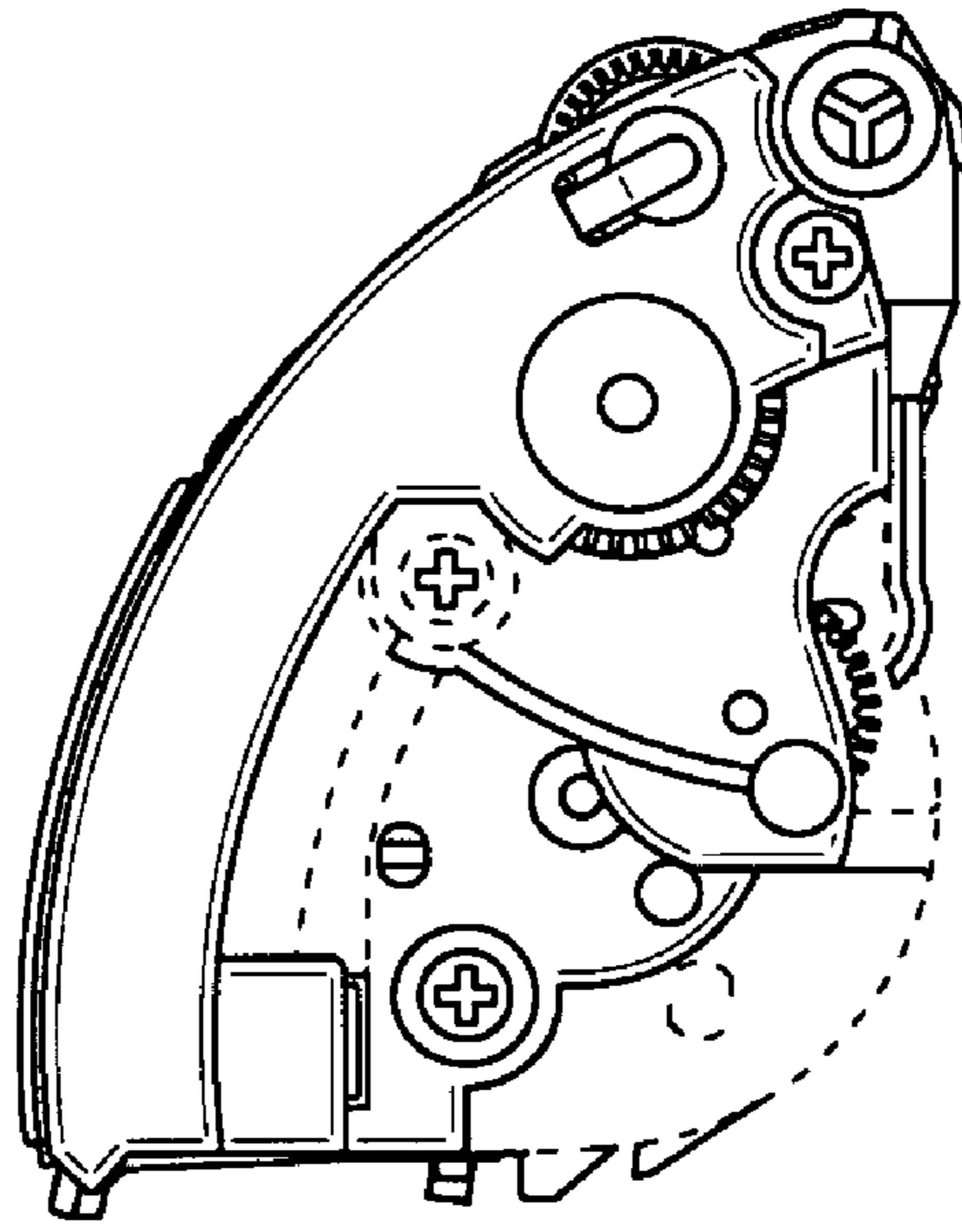
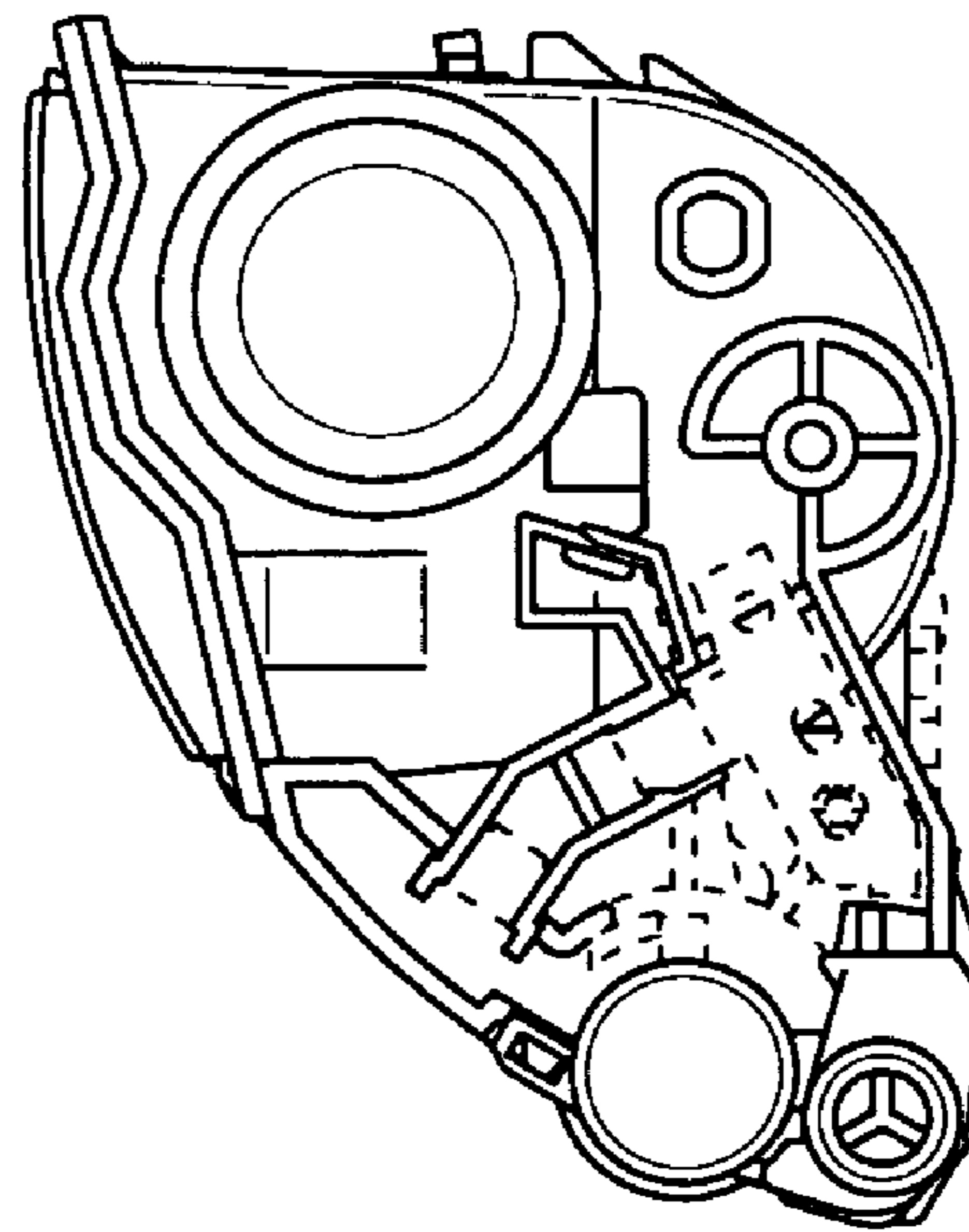


Fig. 4



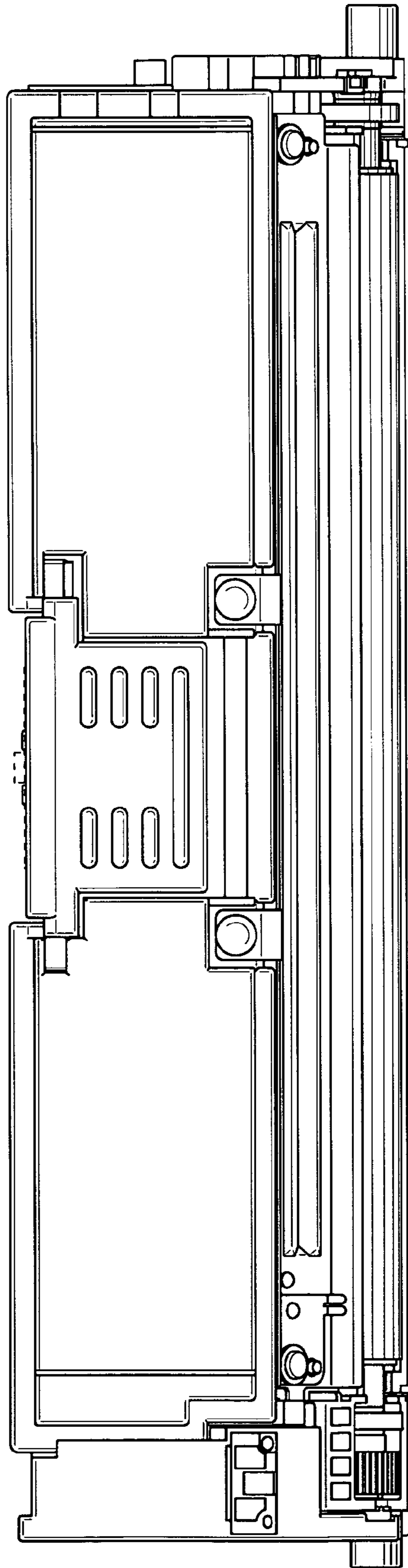


Fig. 6

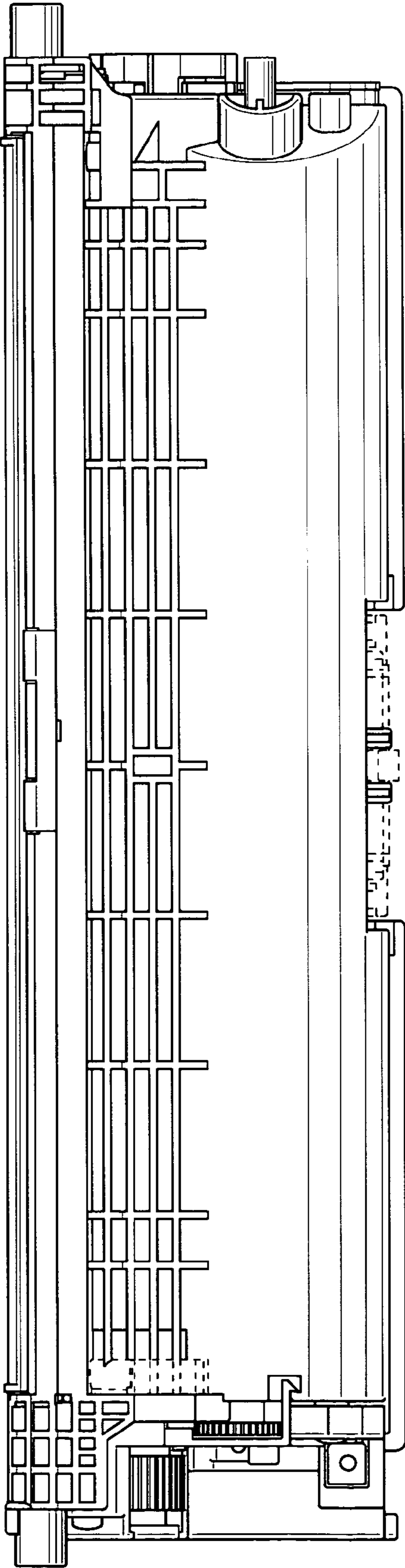


Fig. 7

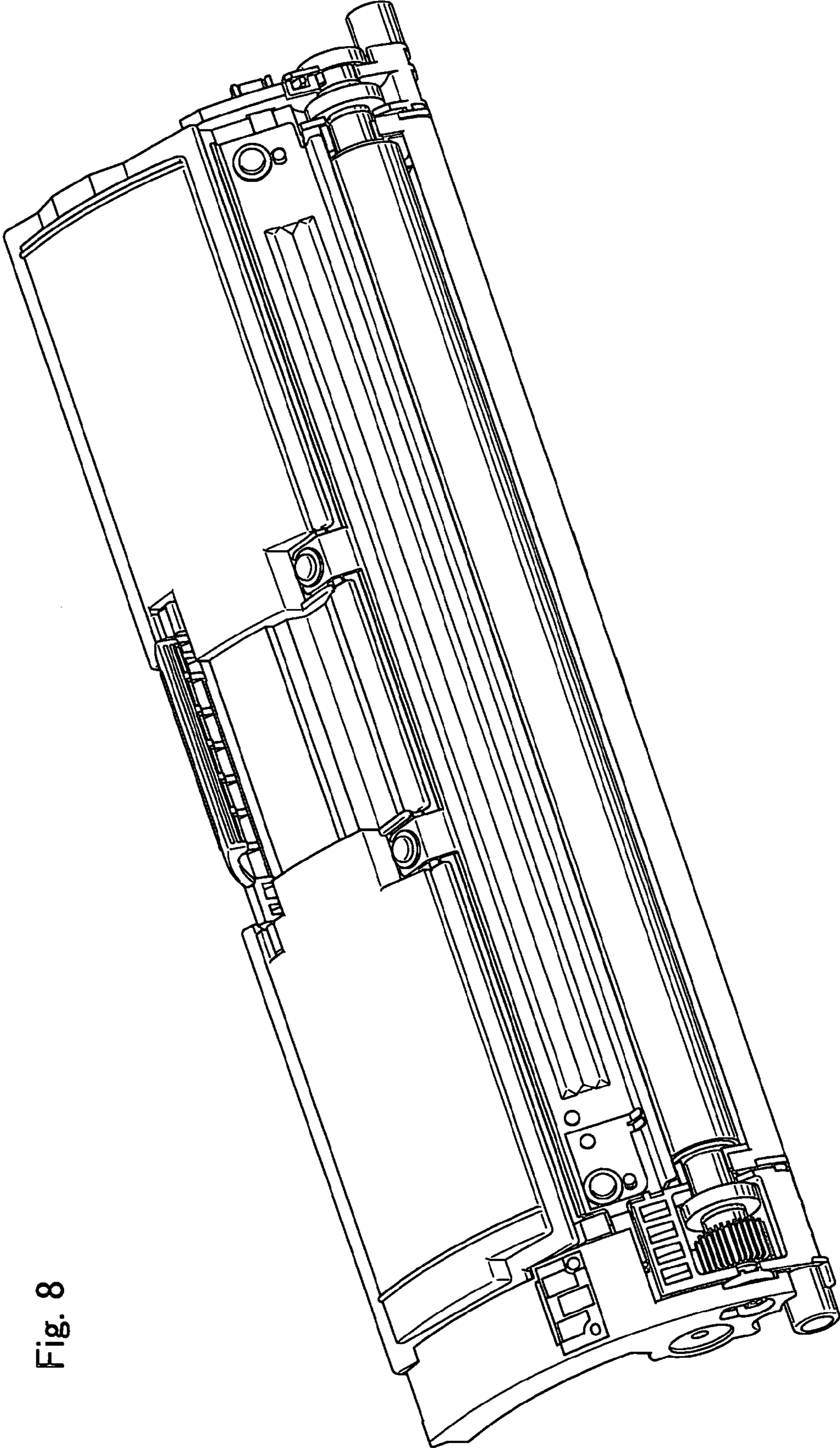


Fig. 8



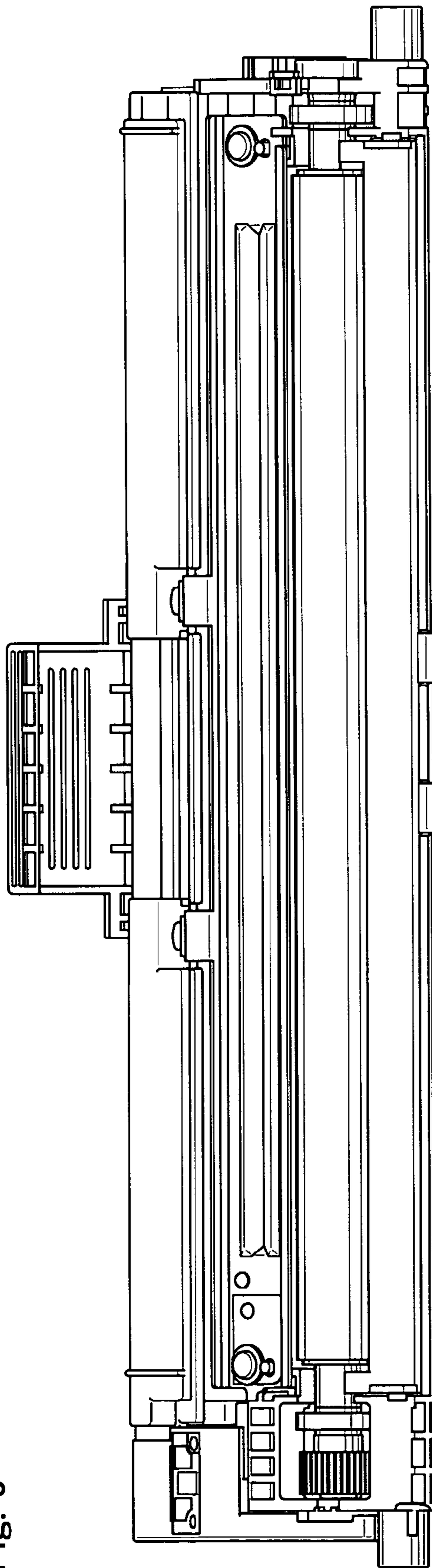


Fig. 9

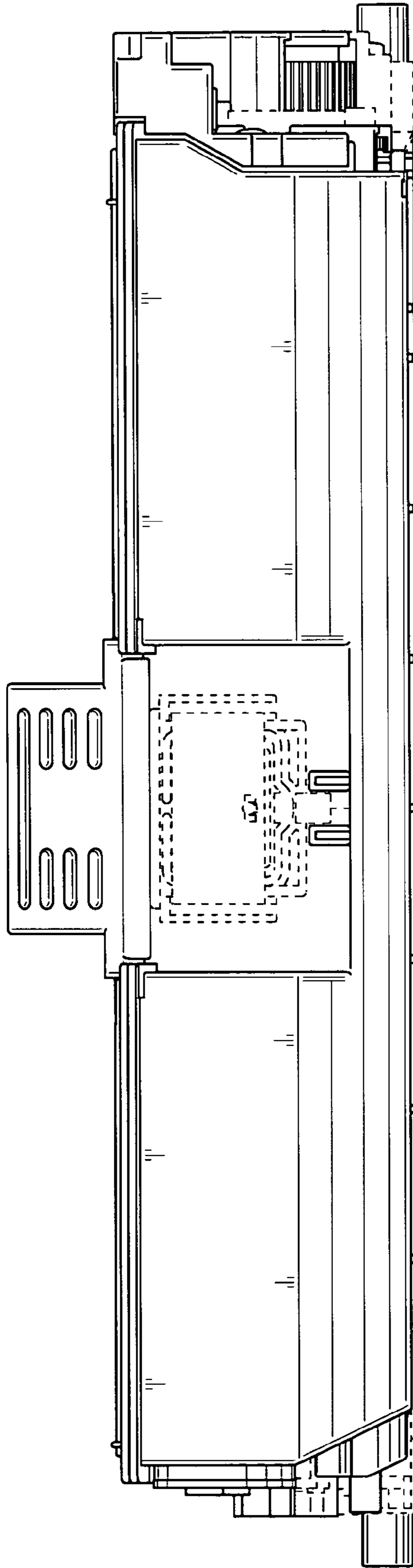


Fig. 10