

US00D570892S

(12) **United States Design Patent**
Naruki

(10) **Patent No.:** **US D570,892 S**
(45) **Date of Patent:** **** Jun. 10, 2008**

(54) **DIGITAL VIDEO CAMERA**
(75) Inventor: **Masatomo Naruki**, Kawasaki (JP)
(73) Assignee: **Kabushiki Kaisha Toshiba** (JP)
(**) Term: **14 Years**
(21) Appl. No.: **29/295,721**
(22) Filed: **Oct. 4, 2007**

JP D1237806 4/2005
JP D1286825 11/2006
JP D1302306 6/2007
JP D1302900 6/2007

(30) **Foreign Application Priority Data**

Jul. 25, 2007 (JP) 2007-020137

(51) **LOC (8) Cl.** **16-01**
(52) **U.S. Cl.** **D16/202; D16/203**
(58) **Field of Classification Search** D16/200–205,
D16/208, 218; 348/143, 373, 374–376; 358/906;
396/535–541
See application file for complete search history.

OTHER PUBLICATIONS

Catalog (DCR-SR100), Sony Kabushiki Kaisha, Handycam, Mar. 14, 2006.
Catalog (HDR-HC7), Sony Kabushiki Kaisha, Handycam, Mar. 8, 2007.

* cited by examiner

Primary Examiner—Adir Aronovich
(74) *Attorney, Agent, or Firm*—Banner & Witcoff, Ltd.

(57) **CLAIM**

The ornamental design for a digital video camera, as shown and described.

(56) **References Cited**

U.S. PATENT DOCUMENTS

D445,816 S * 7/2001 Tanaka D16/203
D476,021 S 6/2003 Masano et al.
D477,343 S 7/2003 Miyashita
D477,346 S 7/2003 Miyashita
6,683,654 B1 * 1/2004 Haijima 348/374
D500,776 S 1/2005 Miyashita
D521,041 S * 5/2006 Chung et al. D16/202
D524,342 S 7/2006 Suzuki
D524,343 S 7/2006 Naruki
7,221,402 B2 * 5/2007 Cheng 348/375
D544,514 S * 6/2007 Tanifuji et al. D16/202
D548,253 S 8/2007 Naruki
D557,721 S * 12/2007 Miyashita D16/202
D561,800 S * 2/2008 Sadatsuki D16/202
2007/0153120 A1 * 7/2007 Kajikawa et al. 348/373

FOREIGN PATENT DOCUMENTS

JP D1237805 4/2005

DESCRIPTION

FIG. 1 is a top, front and right side perspective view a digital video camera showing my new design,
FIG. 2 is a front elevational view thereof,
FIG. 3 is a rear elevational view thereof,
FIG. 4 is a right side elevational view thereof,
FIG. 5 is a left side elevational view thereof,
FIG. 6 is a top plan view thereof,
FIG. 7 is a bottom plan view thereof,
FIG. 8 is a reduced rear elevational view showing the article in an opened position thereof,
FIG. 9 is a reduced top plan view showing the article in the opened position thereof; and,
FIG. 10 is a reduced right side elevational view showing the article in the opened position thereof.

1 Claim, 5 Drawing Sheets

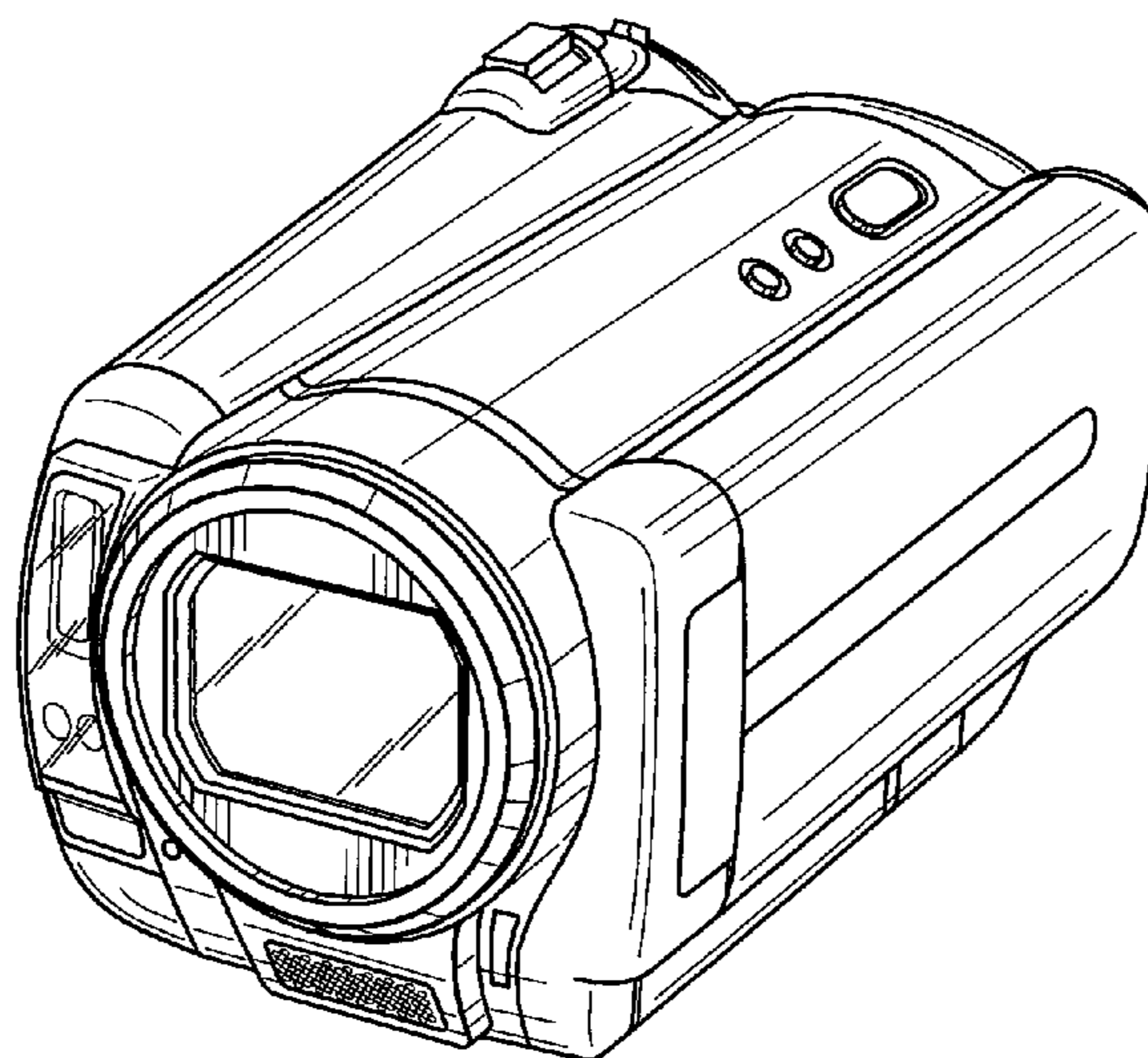


FIG. 1

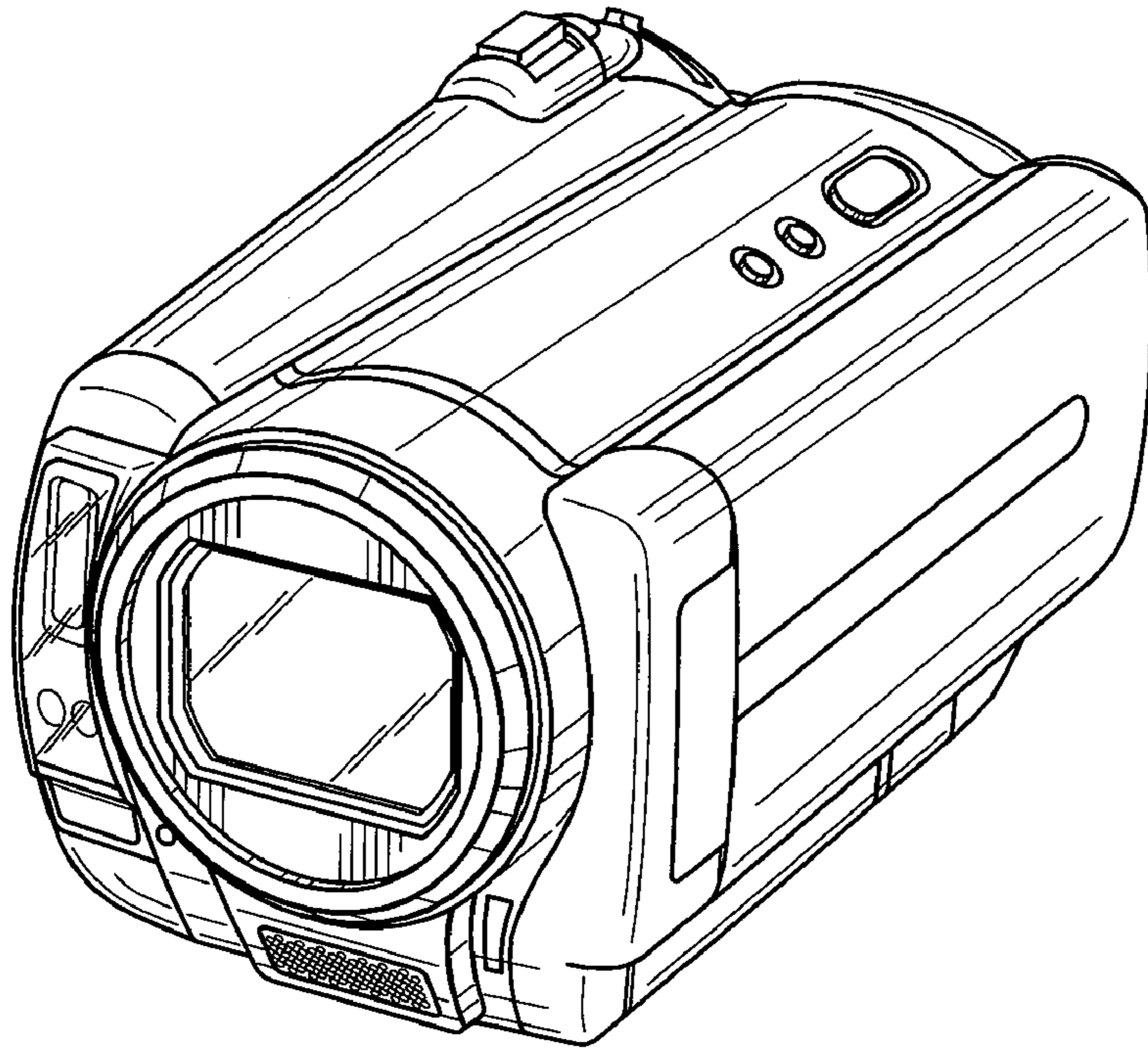


FIG. 2

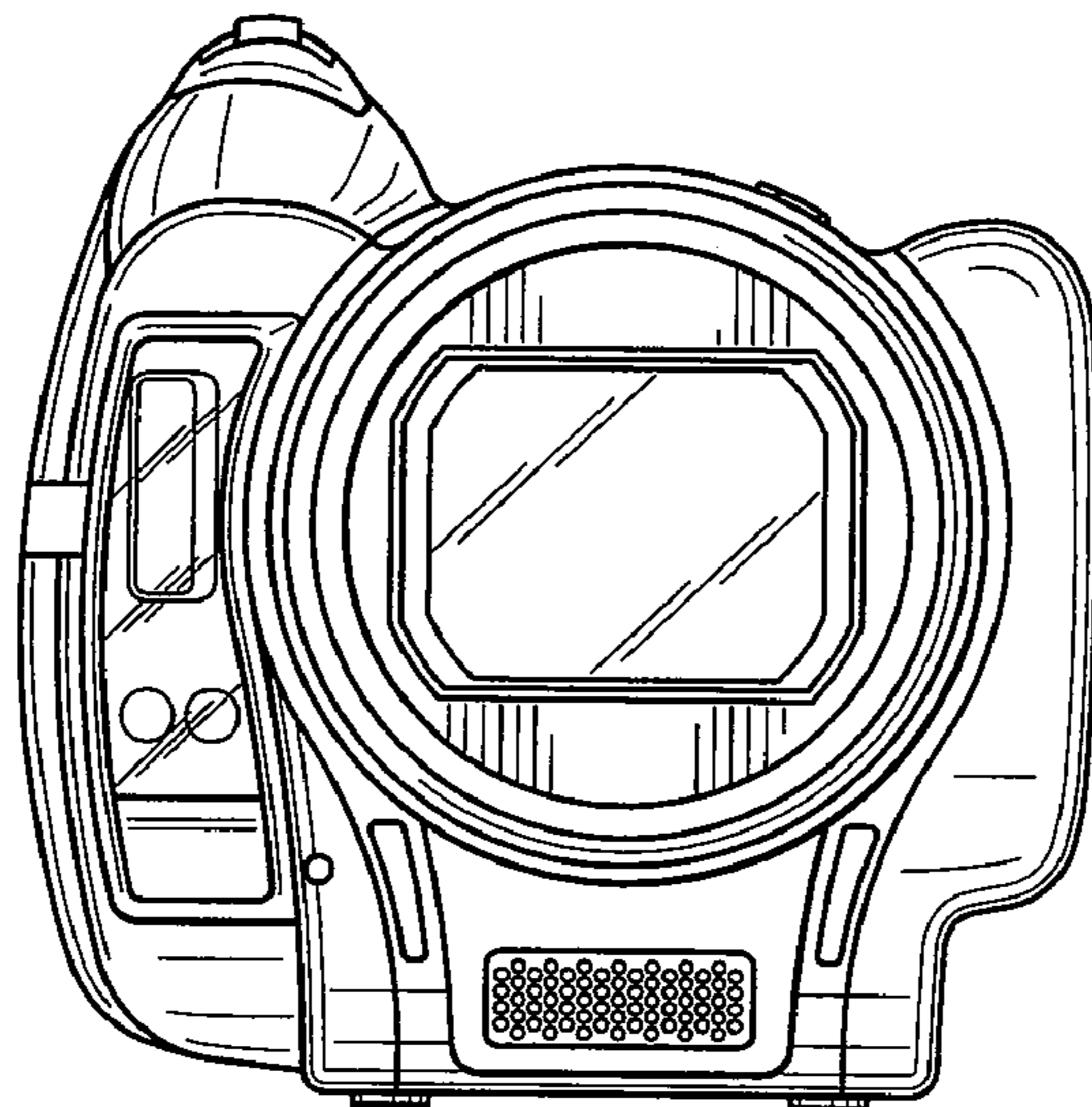


FIG. 3

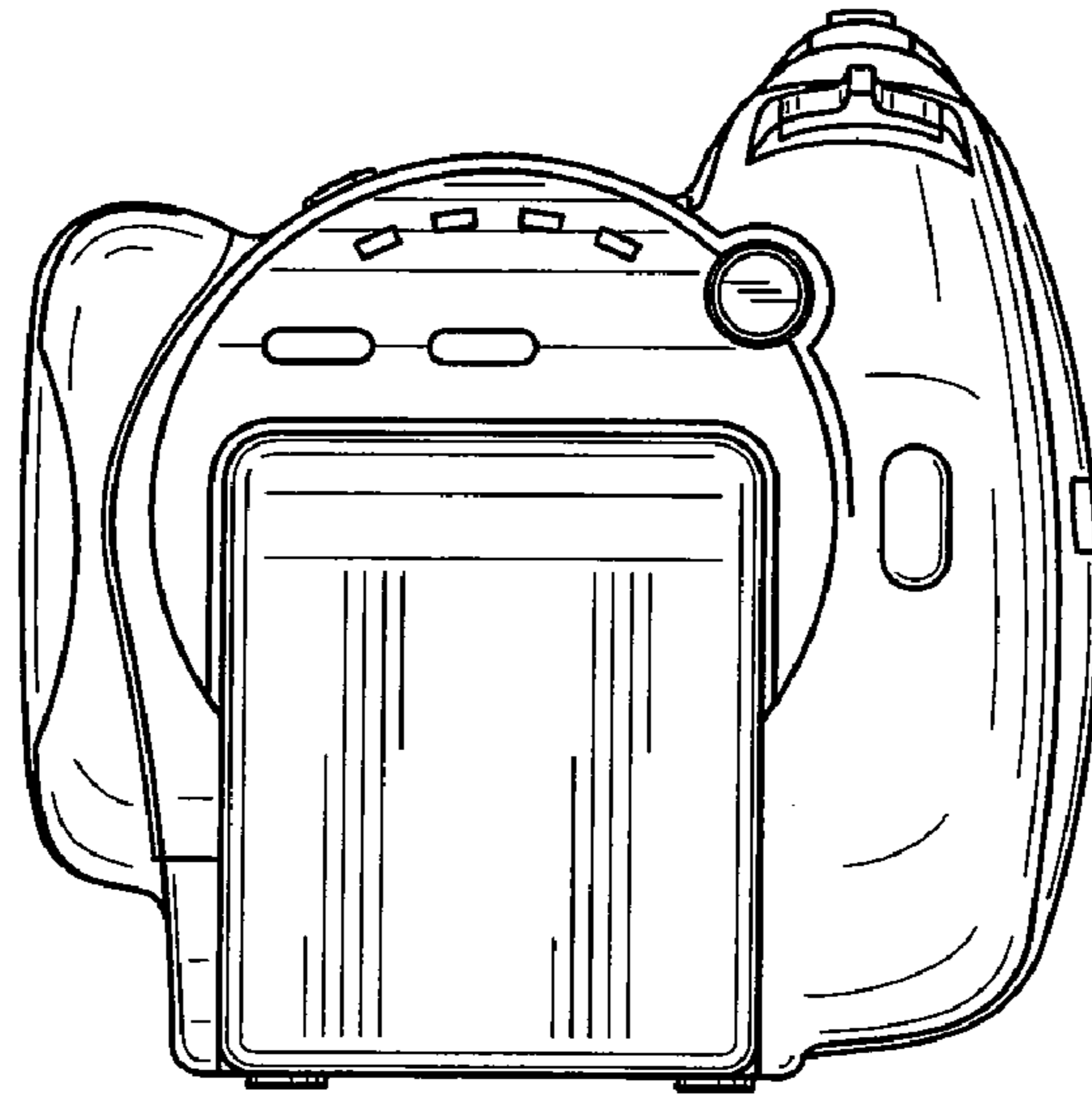


FIG. 4

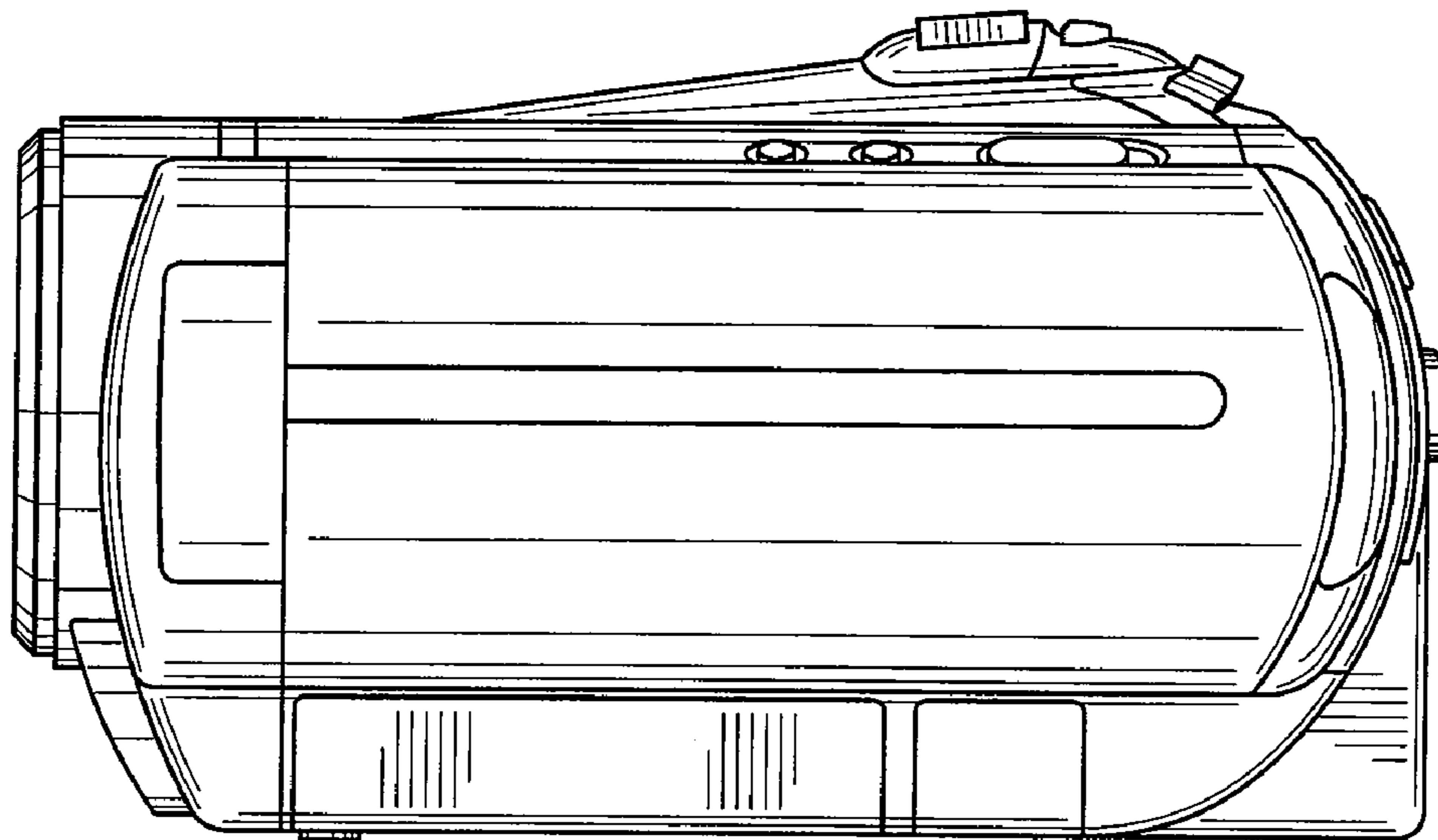


FIG. 5

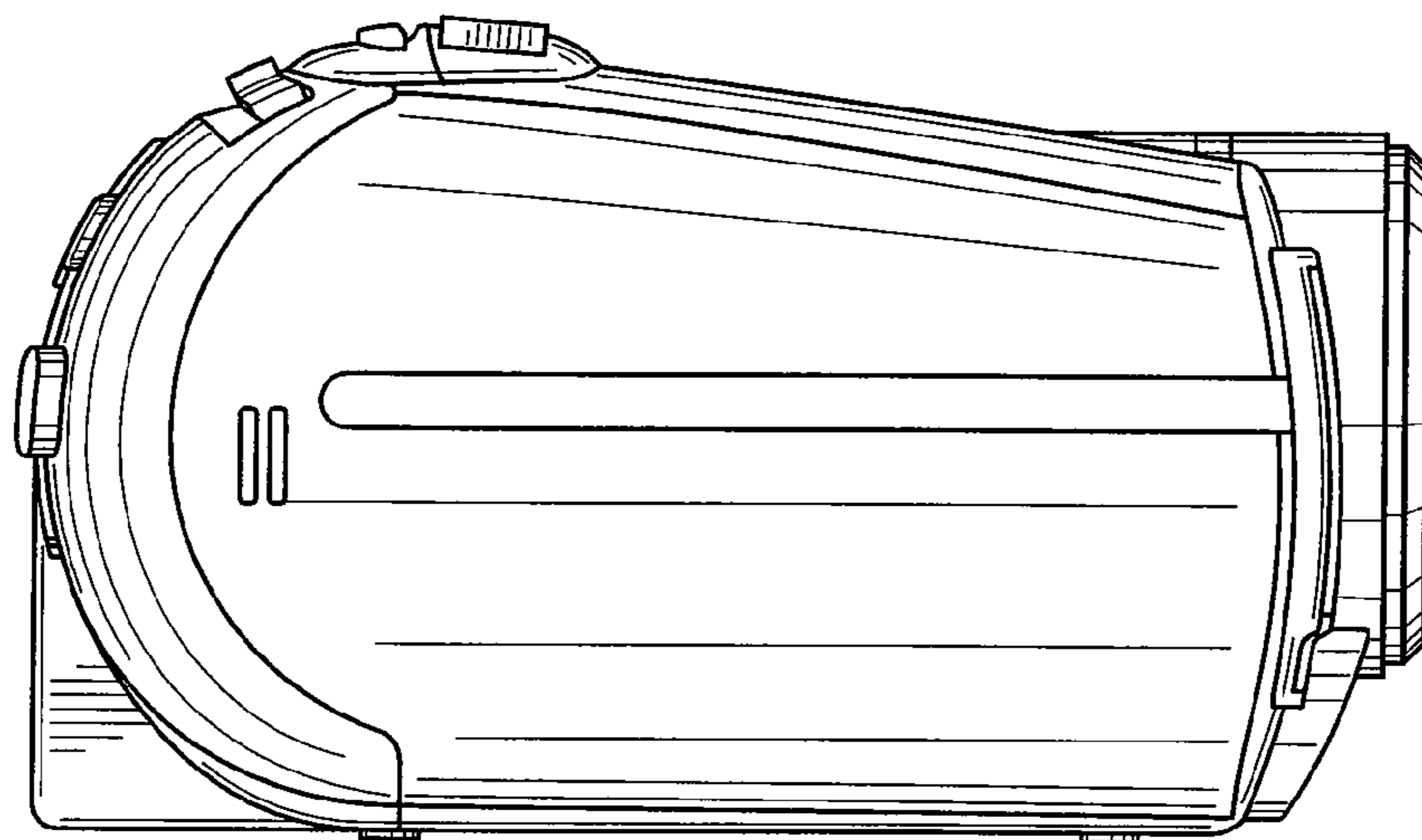


FIG. 6

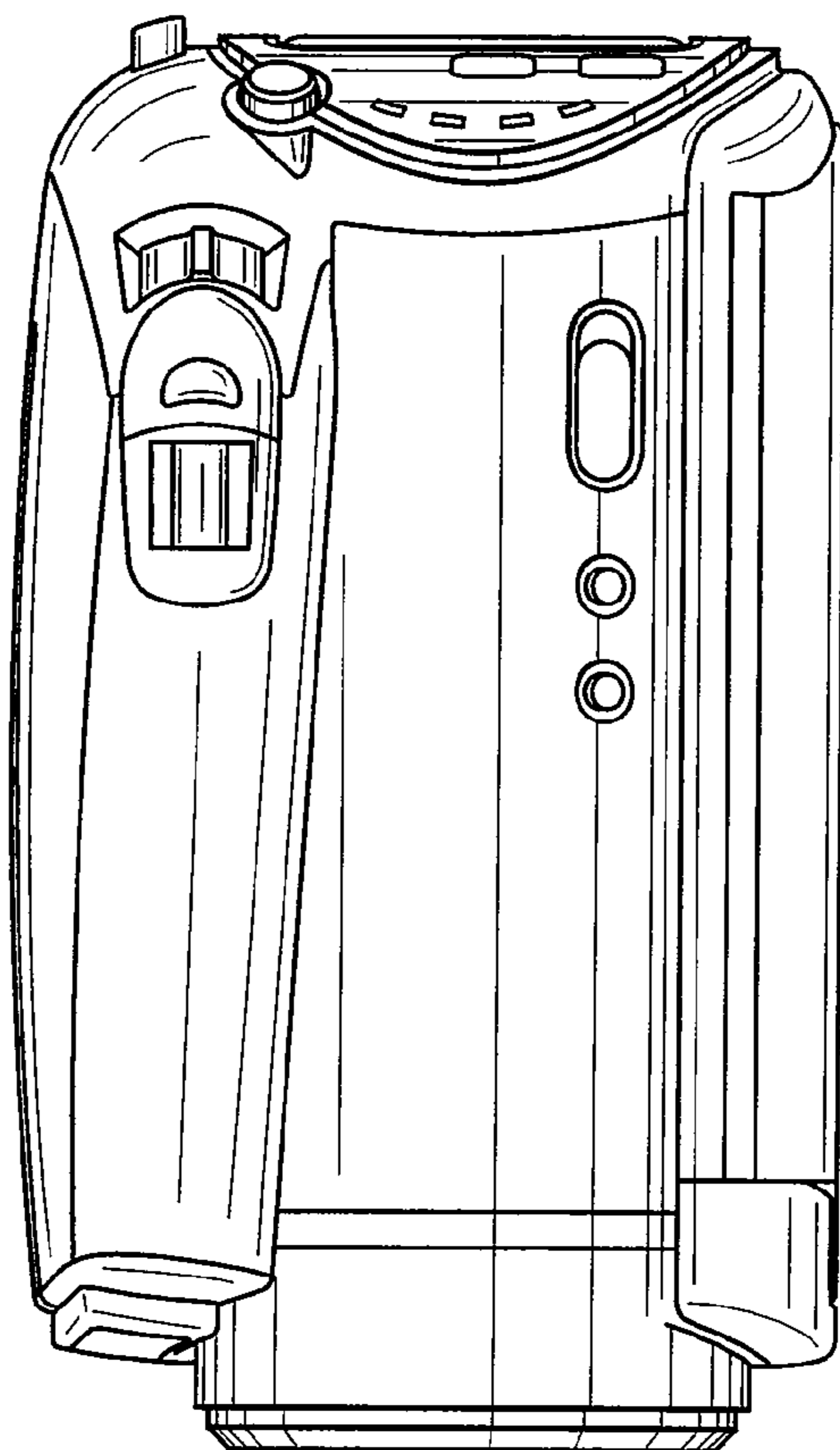


FIG. 7

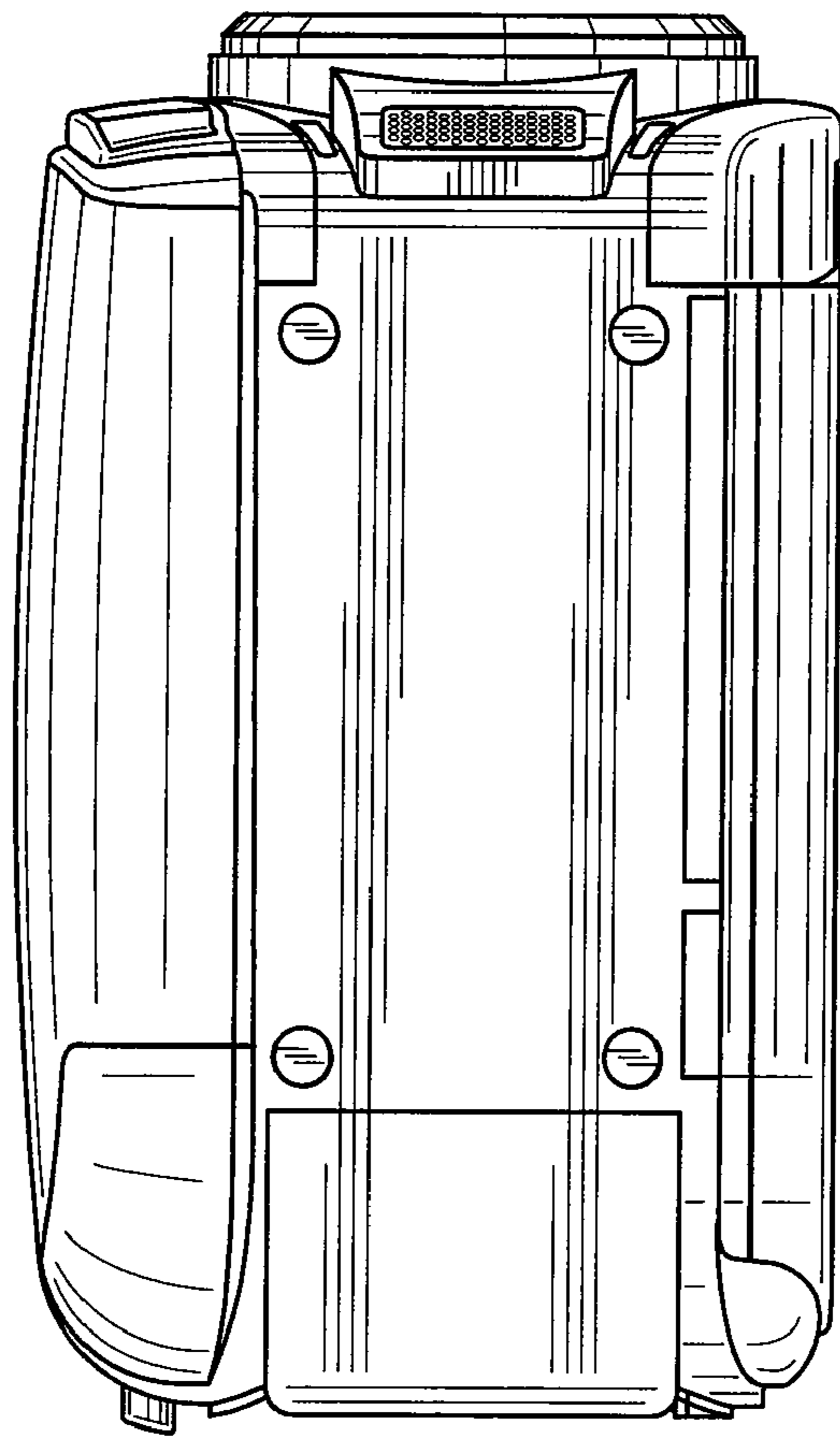


FIG. 8

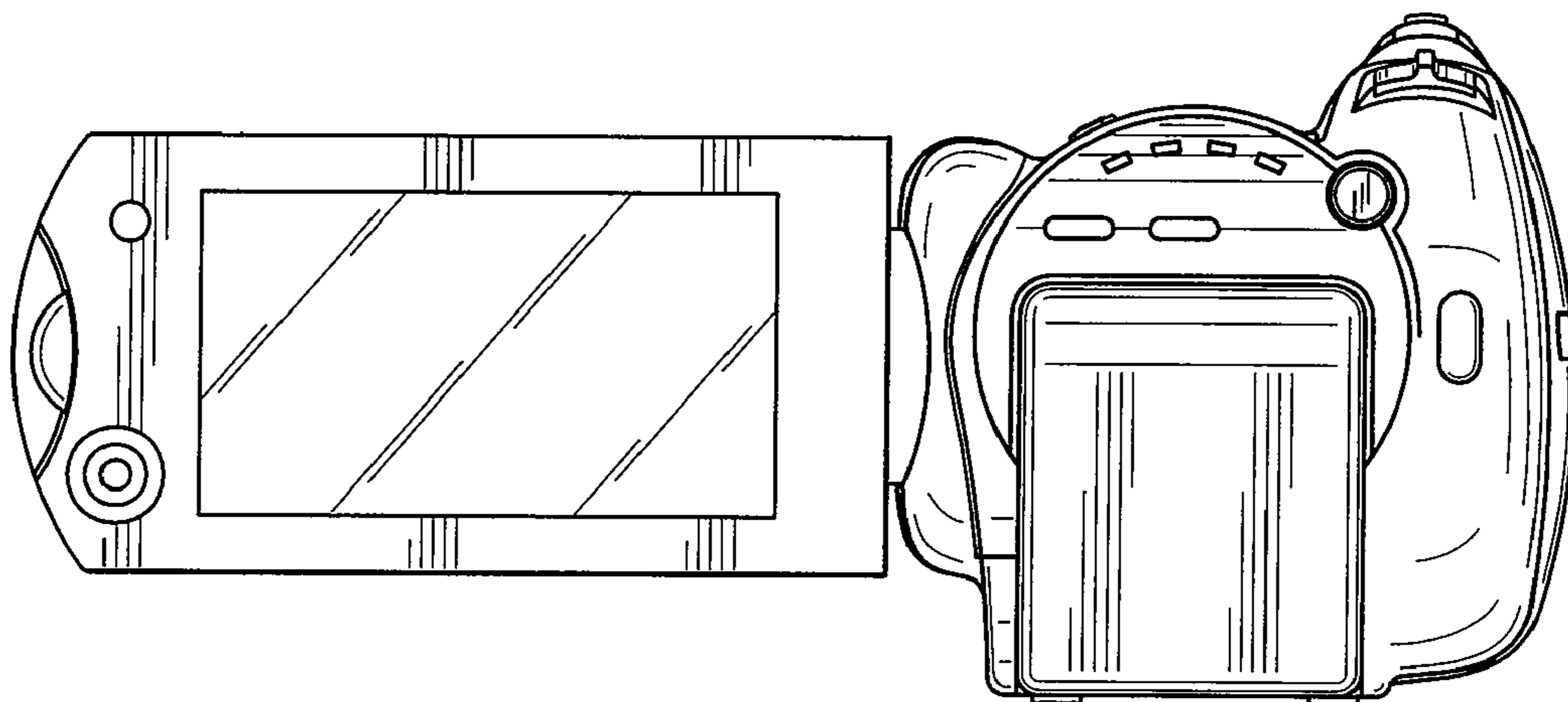


FIG. 9

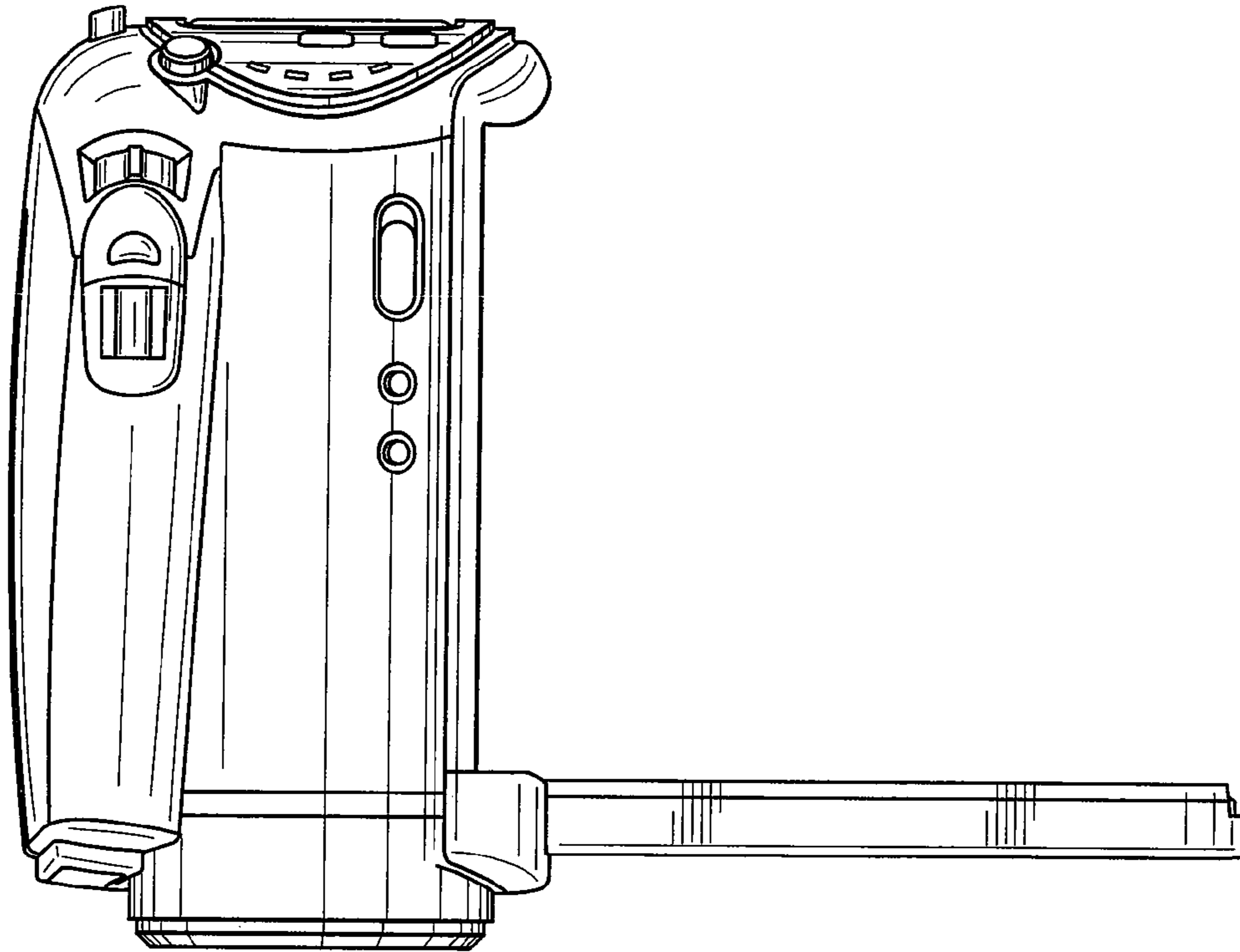


FIG. 10

