



US00D570891S

(12) **United States Design Patent**
Miyahara et al.

(10) **Patent No.:** **US D570,891 S**
(45) **Date of Patent:** **** Jun. 10, 2008**

(54) **DIGITAL CAMERA**

(75) Inventors: **Akihiro Miyahara**, Kunitachi (JP);
Yosuke Nagayama, Tokyo (JP)

(73) Assignee: **Casio Keisanki Kabushiki Kaisha**,
Tokyo (JP)

(**) Term: **14 Years**

(21) Appl. No.: **29/291,569**

(22) Filed: **Sep. 5, 2007**

(30) **Foreign Application Priority Data**

Mar. 6, 2007 (JP) 2007-005733

(51) **LOC (8) Cl.** **16-01**

(52) **U.S. Cl.** **D16/202; D16/206**

(58) **Field of Classification Search** D16/200–206,
D16/208, 218; 348/373–376; 358/906,
358/909.1; 396/176–178, 535–541
See application file for complete search history.

(56) **References Cited**

U.S. PATENT DOCUMENTS

D387,079 S * 12/1997 Horikiri D16/217
D444,163 S * 6/2001 Yoshida D16/202
D447,500 S * 9/2001 Funato D16/202
D474,793 S * 5/2003 Yoshida D16/202
D497,173 S * 10/2004 Ogura D16/202
6,930,726 B2 * 8/2005 Nagai 348/373
D511,351 S * 11/2005 Yatabe D16/202

D528,580 S * 9/2006 Sumita D16/206
D537,857 S * 3/2007 Nakamura D16/202
2006/0072916 A1 * 4/2006 Liu 396/177
2006/0222357 A1 * 10/2006 Tomimoto 396/177

* cited by examiner

Primary Examiner—Adir Aronovich

(74) *Attorney, Agent, or Firm*—Frishauf, Holtz, Goodman &
Chick, P.C.

(57) **CLAIM**

The ornamental design for a digital camera, as shown and
described.

DESCRIPTION

FIG. 1 is a front, right side, top perspective view of a digital
camera showing our new design;

FIG. 2 is a front elevational view thereof;

FIG. 3 is a rear elevational view thereof;

FIG. 4 is a left side elevational view thereof;

FIG. 5 is a right side elevational view thereof;

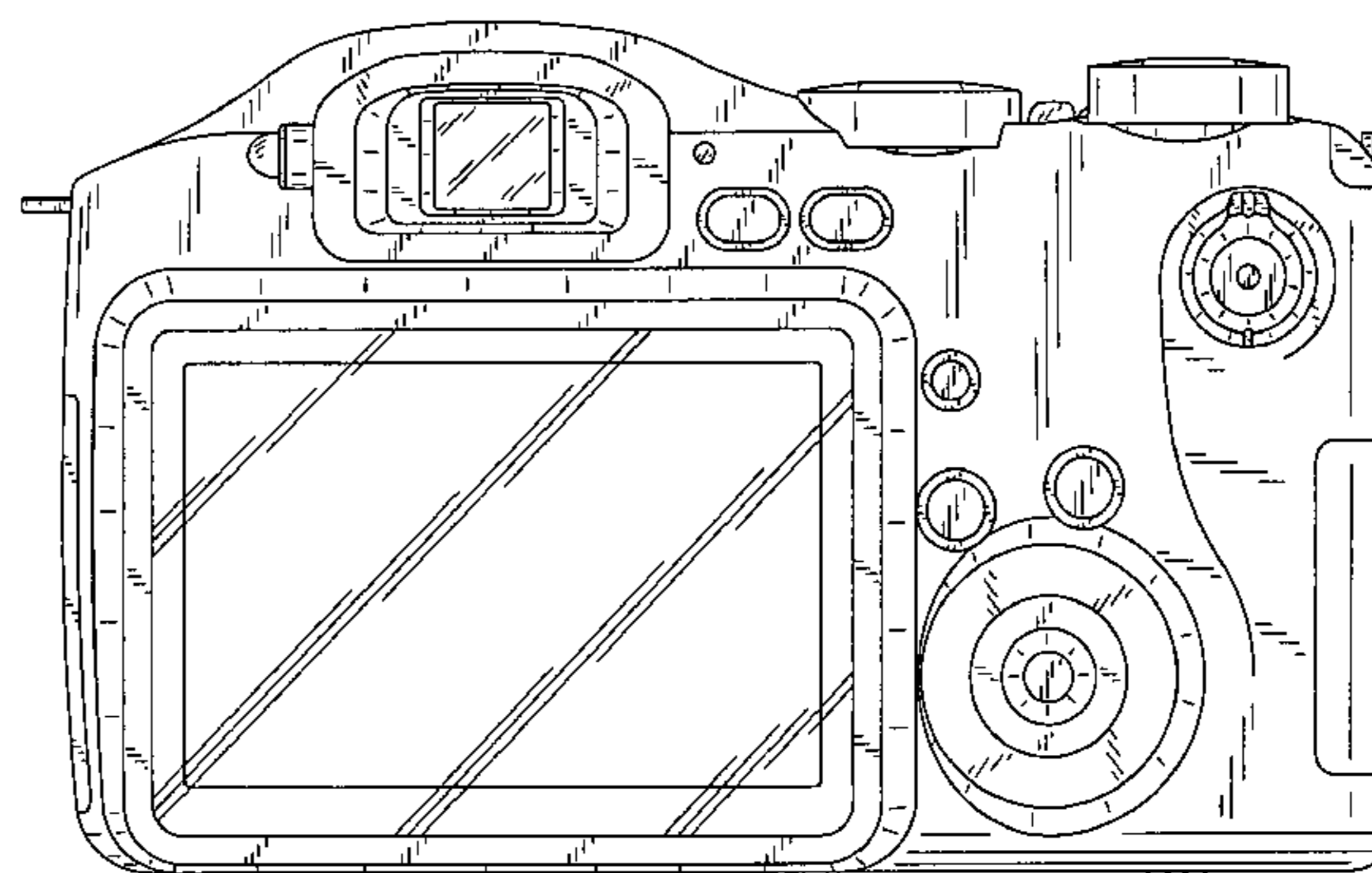
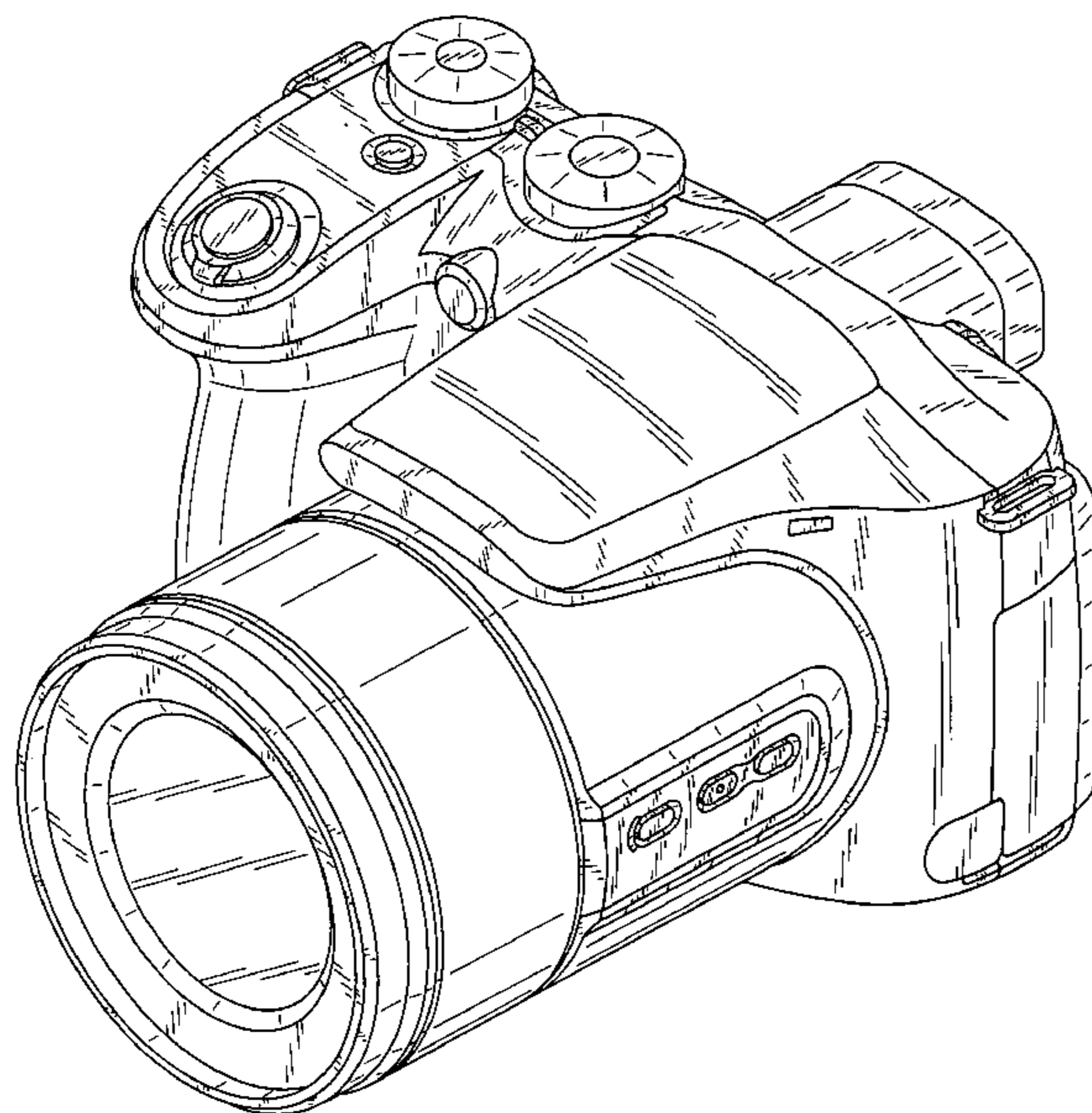
FIG. 6 is a top plan view thereof;

FIG. 7 is a bottom plan view thereof;

FIG. 8 is a front elevational view thereof, with a flash lamp
portion shown in upright position; and,

FIG. 9 is a right side elevational view thereof, with a flash
lamp portion shown in upright position.

1 Claim, 9 Drawing Sheets



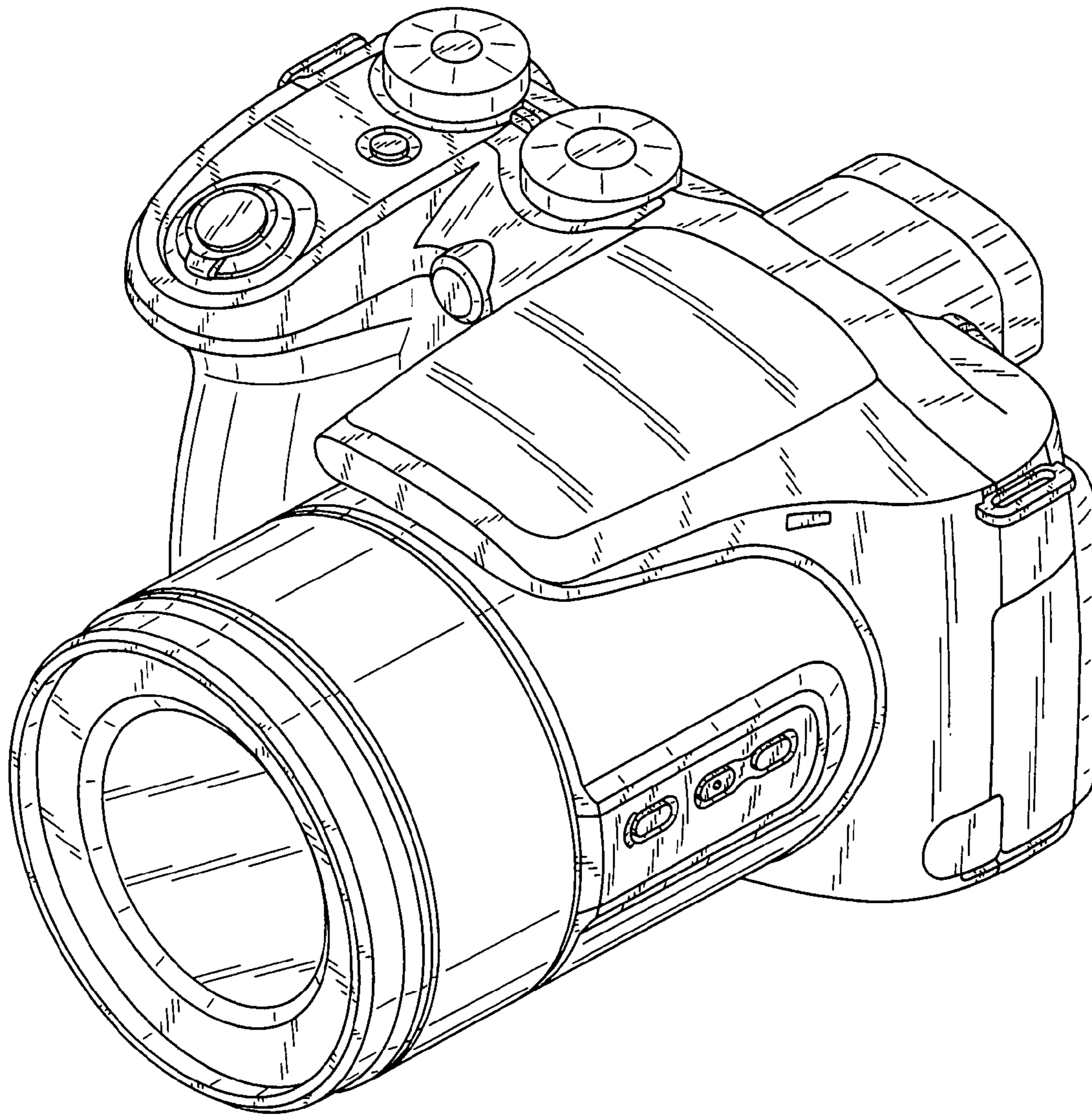


FIG. 1

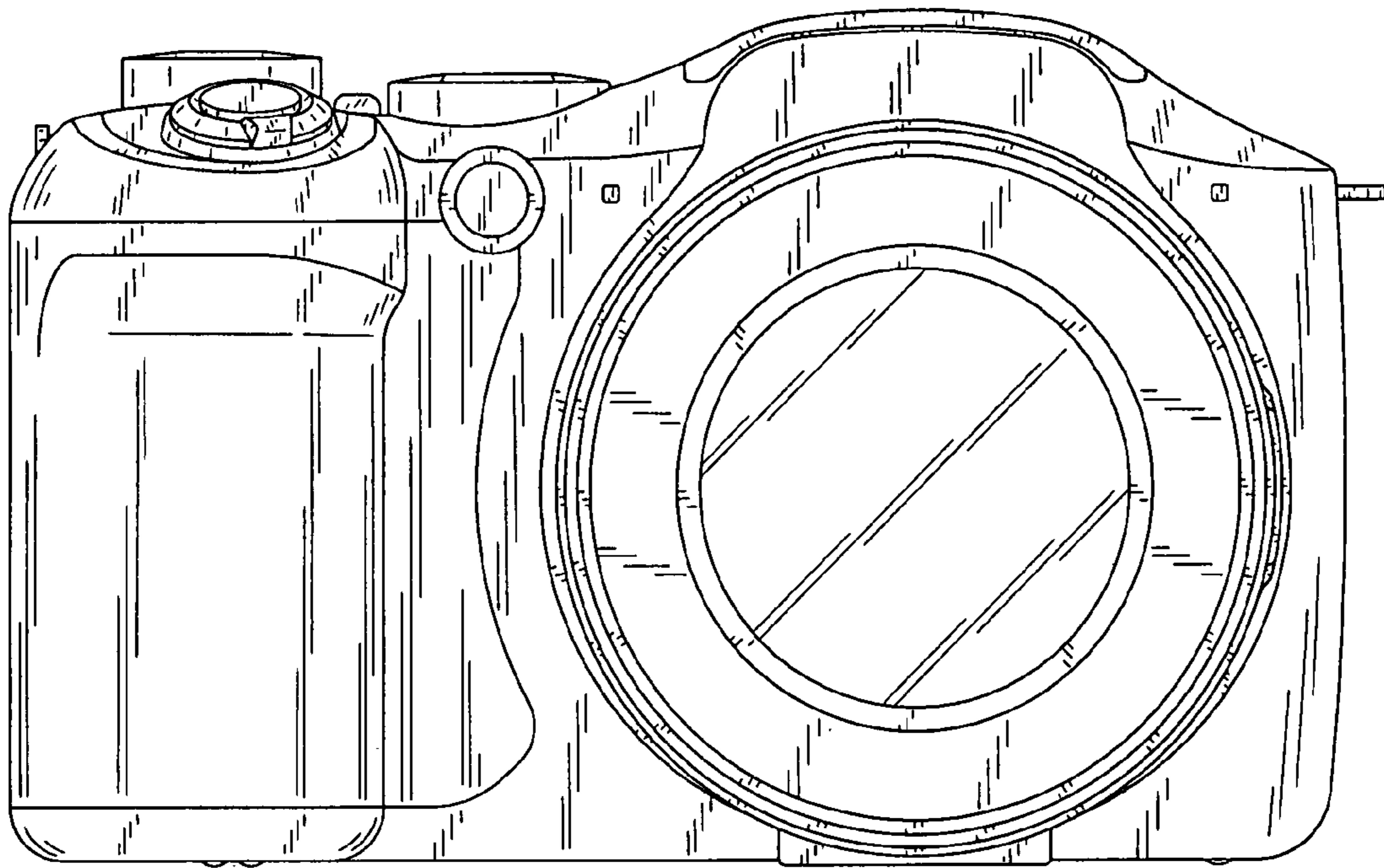


FIG. 2

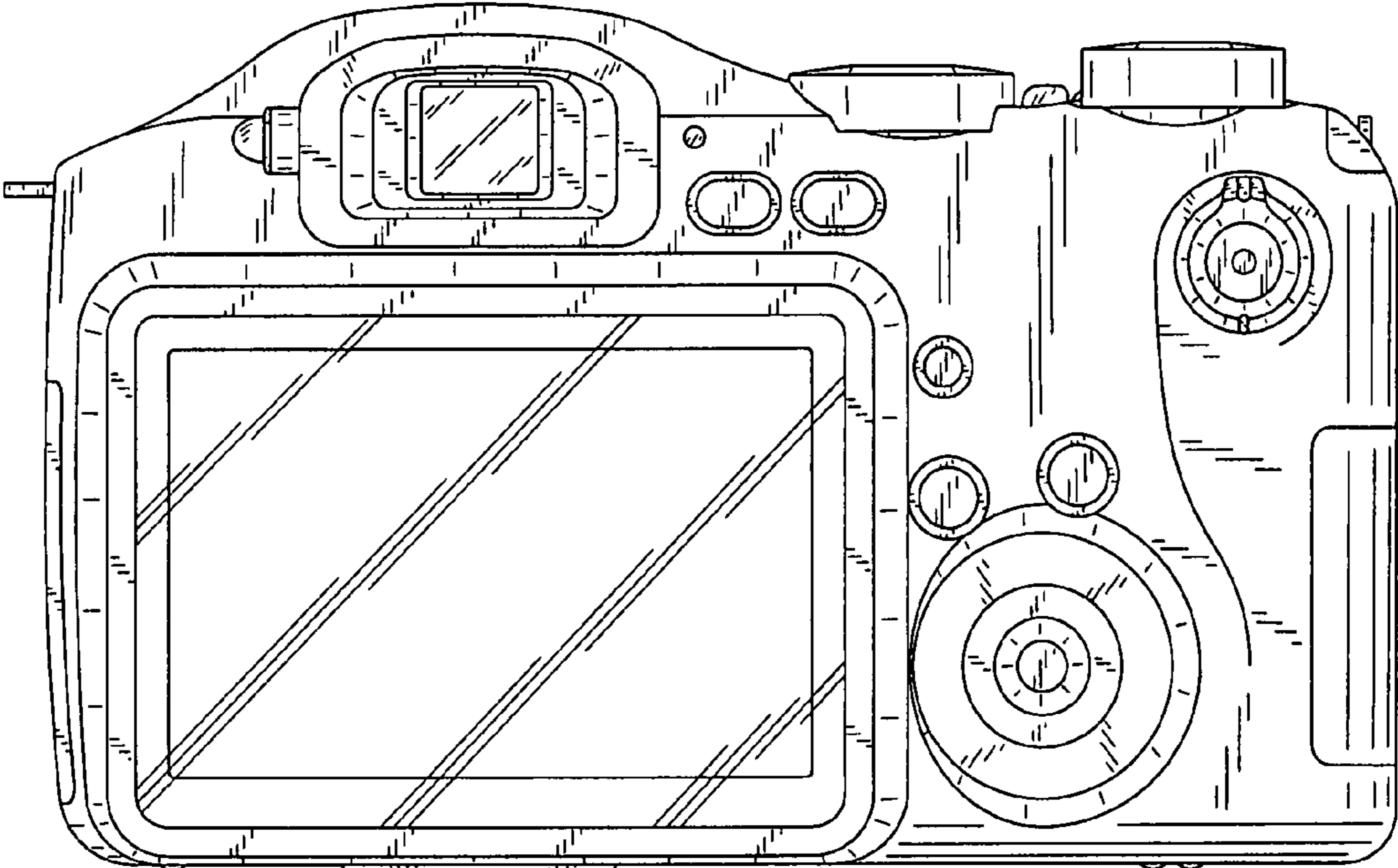


FIG. 3

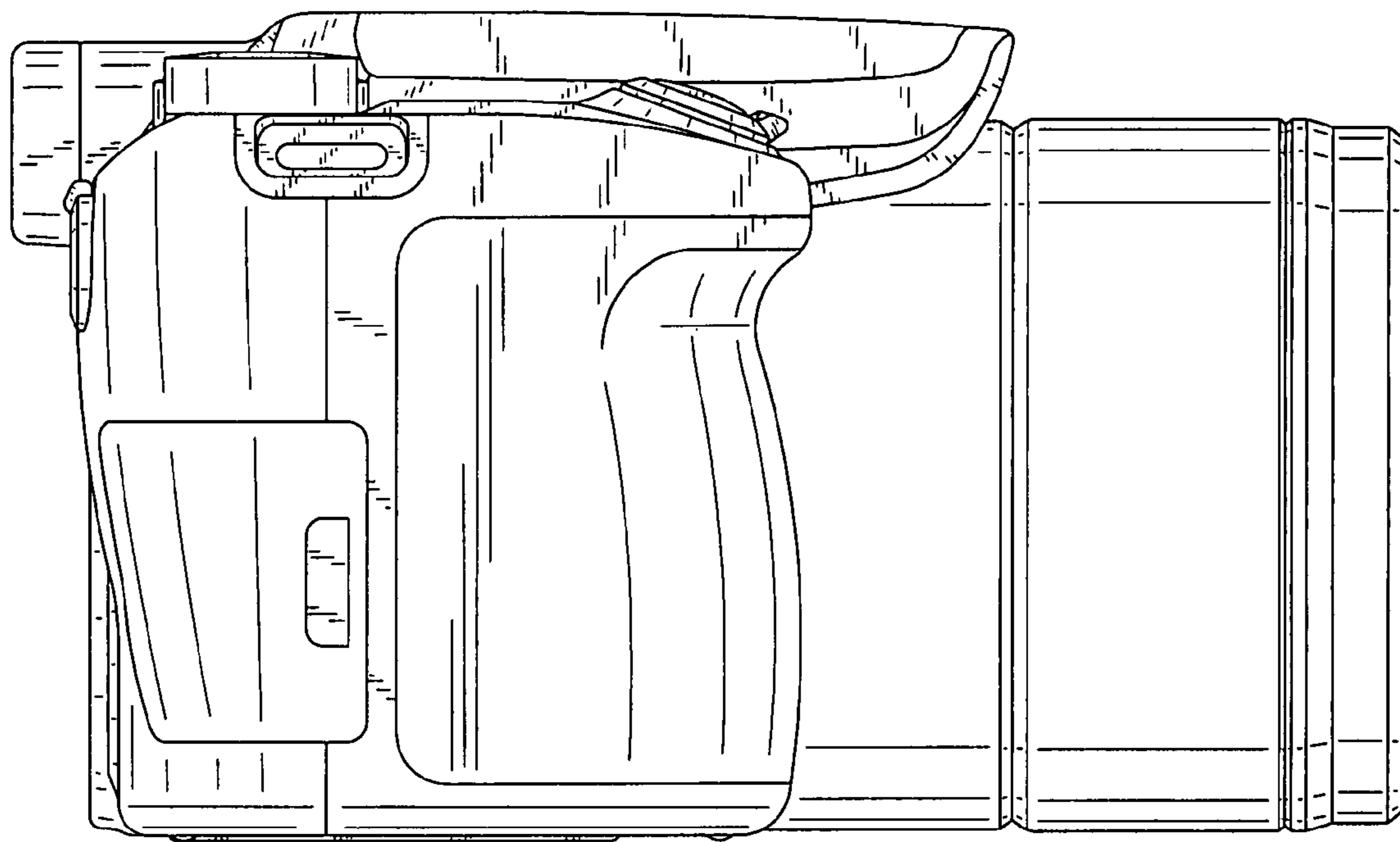


FIG. 4

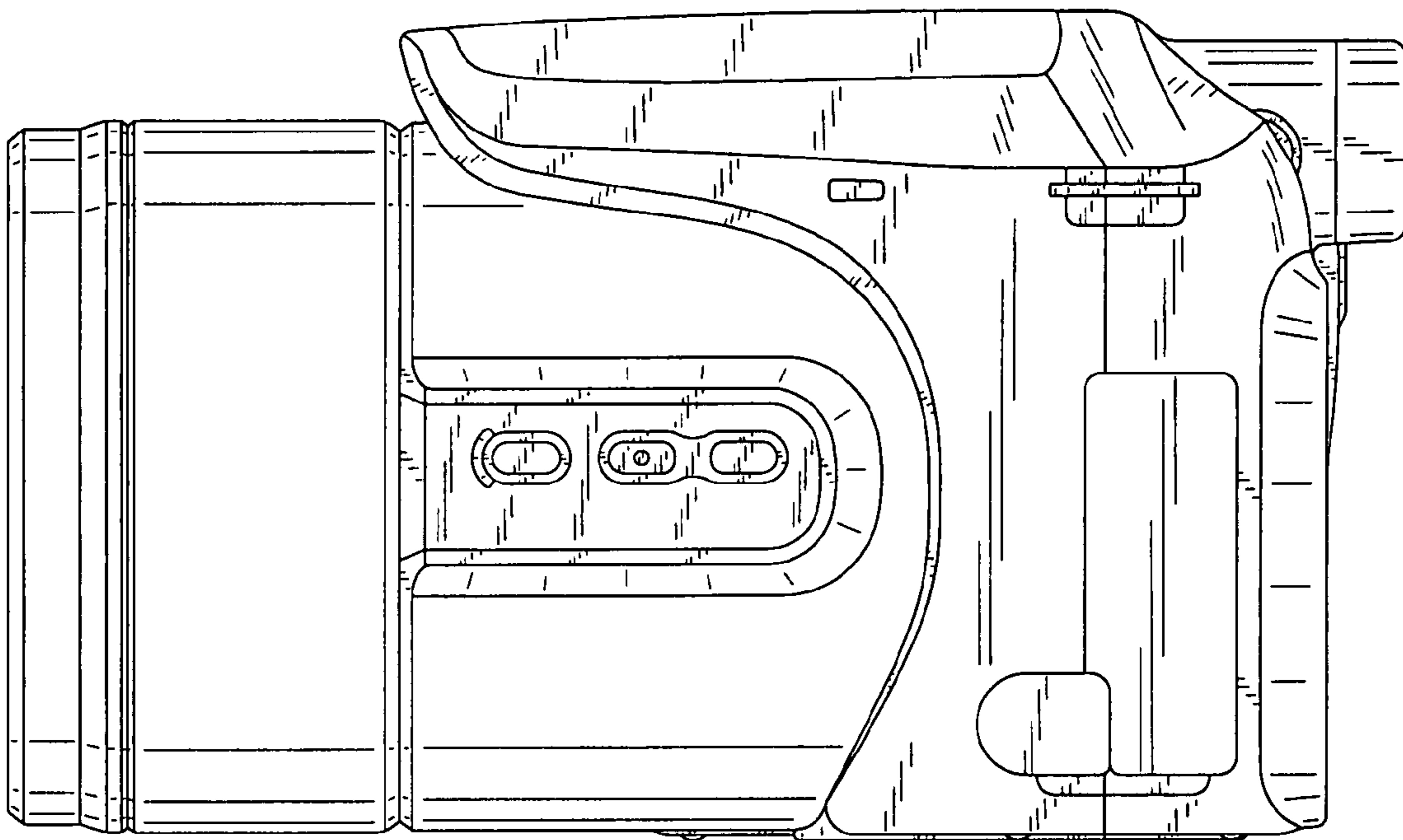


FIG. 5

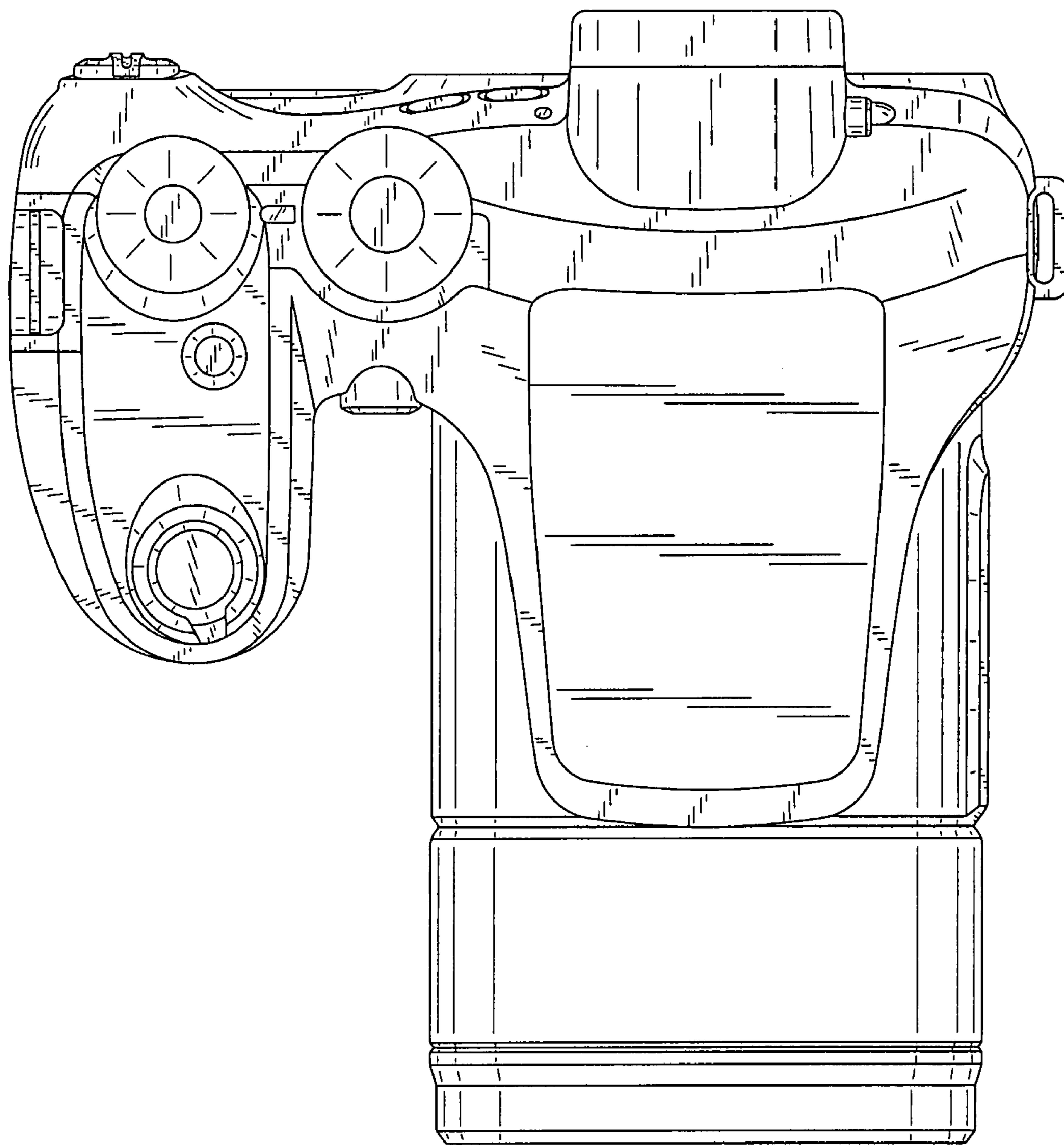


FIG. 6

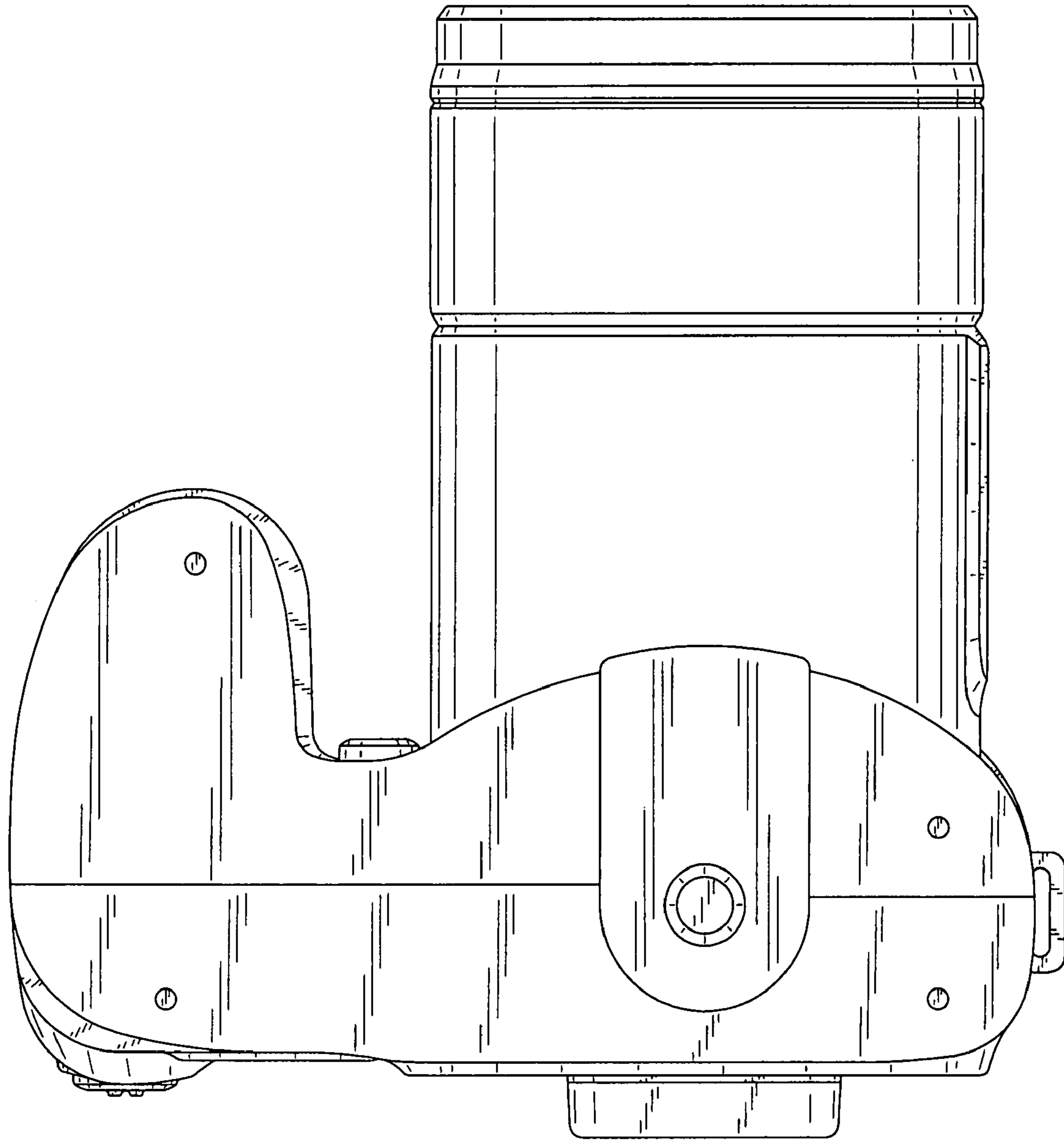


FIG. 7

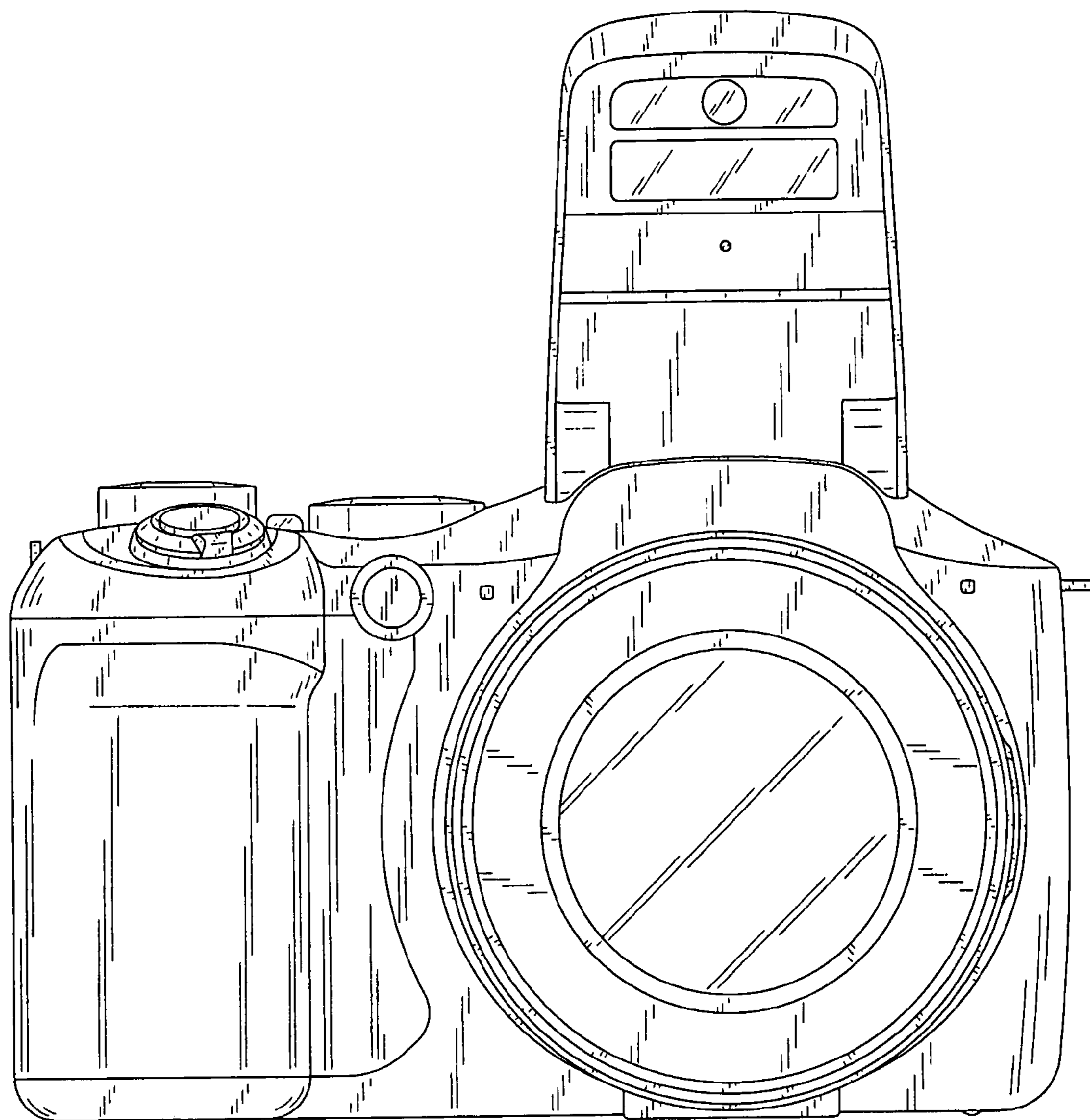


FIG. 8

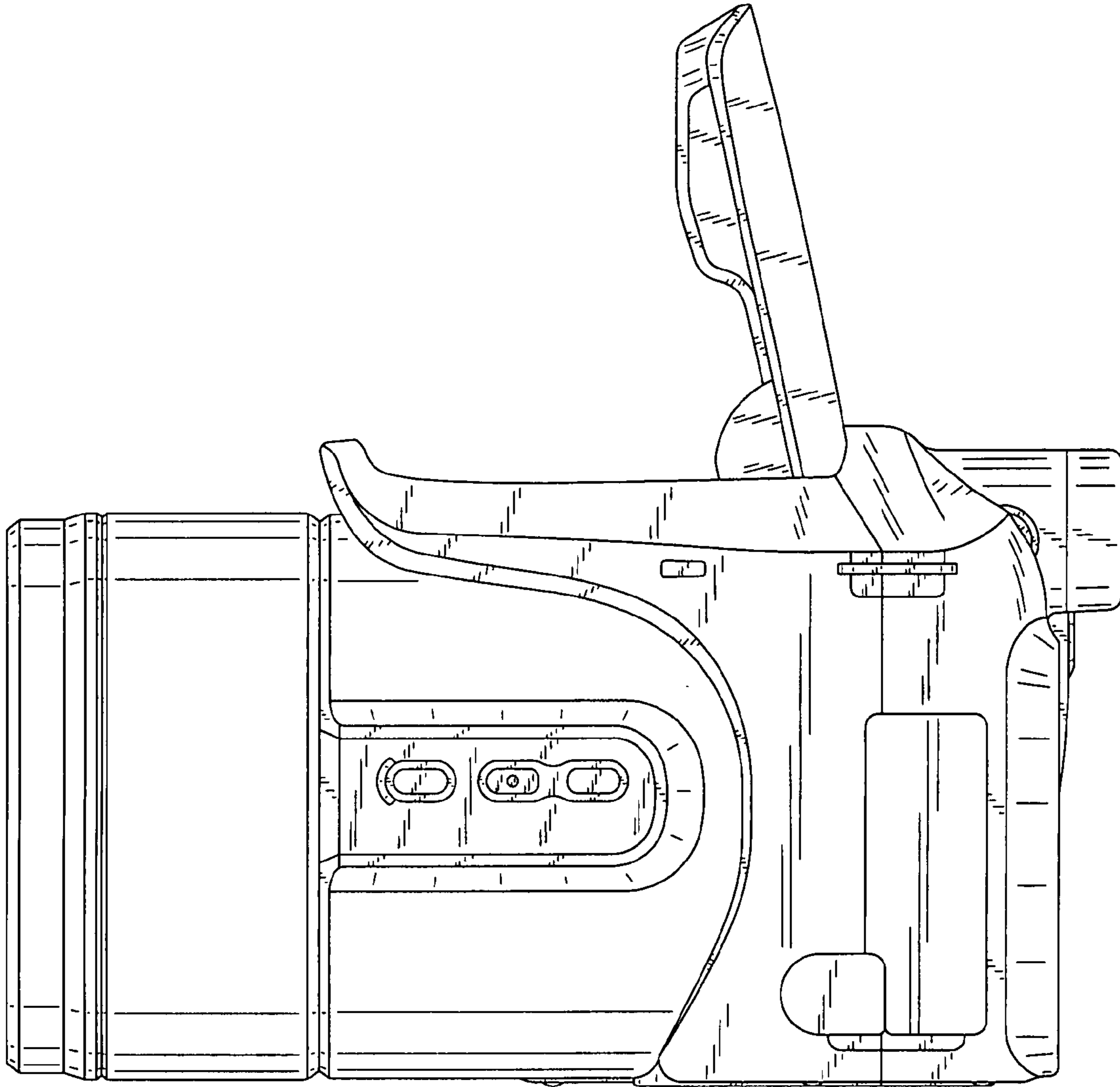


FIG. 9