



US00D570890S

(12) **United States Design Patent**
Yoneya et al.

(10) **Patent No.:** **US D570,890 S**
(45) **Date of Patent:** **** Jun. 10, 2008**

(54) **DIGITAL STILL CAMERA**

(75) Inventors: **Kiyoshi Yoneya**, Kadoma (JP); **Makoto Nakamura**, Kadoma (JP)

(73) Assignee: **Matsushita Electric Industrial Co., Ltd.**, Osaka (JP)

(**) Term: **14 Years**

(21) Appl. No.: **29/288,829**

(22) Filed: **Jun. 22, 2007**

(30) **Foreign Application Priority Data**

Dec. 27, 2006 (JP) 2006-035929

(51) **LOC (8) Cl.** **16-01**

(52) **U.S. Cl.** **D16/202; D16/218**

(58) **Field of Classification Search** D16/200–206,
D16/208, 209, 218, 219; 348/373–376; 358/909.1;
396/535–541

See application file for complete search history.

(56) **References Cited**

U.S. PATENT DOCUMENTS

D497,926 S *	11/2004	Yanagisawa et al.	D16/202
D516,599 S *	3/2006	Nakamura	D16/218
D525,638 S	7/2006	Nakamura	D16/202
D528,579 S *	9/2006	Yasutomi	D16/202
D537,093 S *	2/2007	Nakamura	D16/202
D548,252 S *	8/2007	Tajima	D16/202
D553,658 S *	10/2007	Naito et al.	D16/202

D557,307 S *	12/2007	Nakamura	D16/202
D557,722 S *	12/2007	Horiki et al.	D16/202
D558,806 S *	1/2008	Nakamura	D16/202
D558,807 S *	1/2008	Horiki et al.	D16/202
2005/0057685 A1 *	3/2005	Yamaguchi	348/375

OTHER PUBLICATIONS

Matsushita Electric Industrial Co., Ltd., "Panasonic Models DMC-LS2", Apr. 20, 2006, 3 pages.

* cited by examiner

Primary Examiner—Adir Aronovich

(74) *Attorney, Agent, or Firm*—Brinks Hofer Gilson & Lione

(57) **CLAIM**

We claim the ornamental design for a digital still camera, as shown and described.

DESCRIPTION

FIG. 1 is a front perspective view of a digital still camera of the present invention;

FIG. 2 is a front elevational view thereof;

FIG. 3 is a rear elevational view thereof;

FIG. 4 is a right side elevational view thereof;

FIG. 5 is a left side elevational view thereof;

FIG. 6 is a top plan view thereof; and,

FIG. 7 is a bottom plan view thereof.

1 Claim, 4 Drawing Sheets

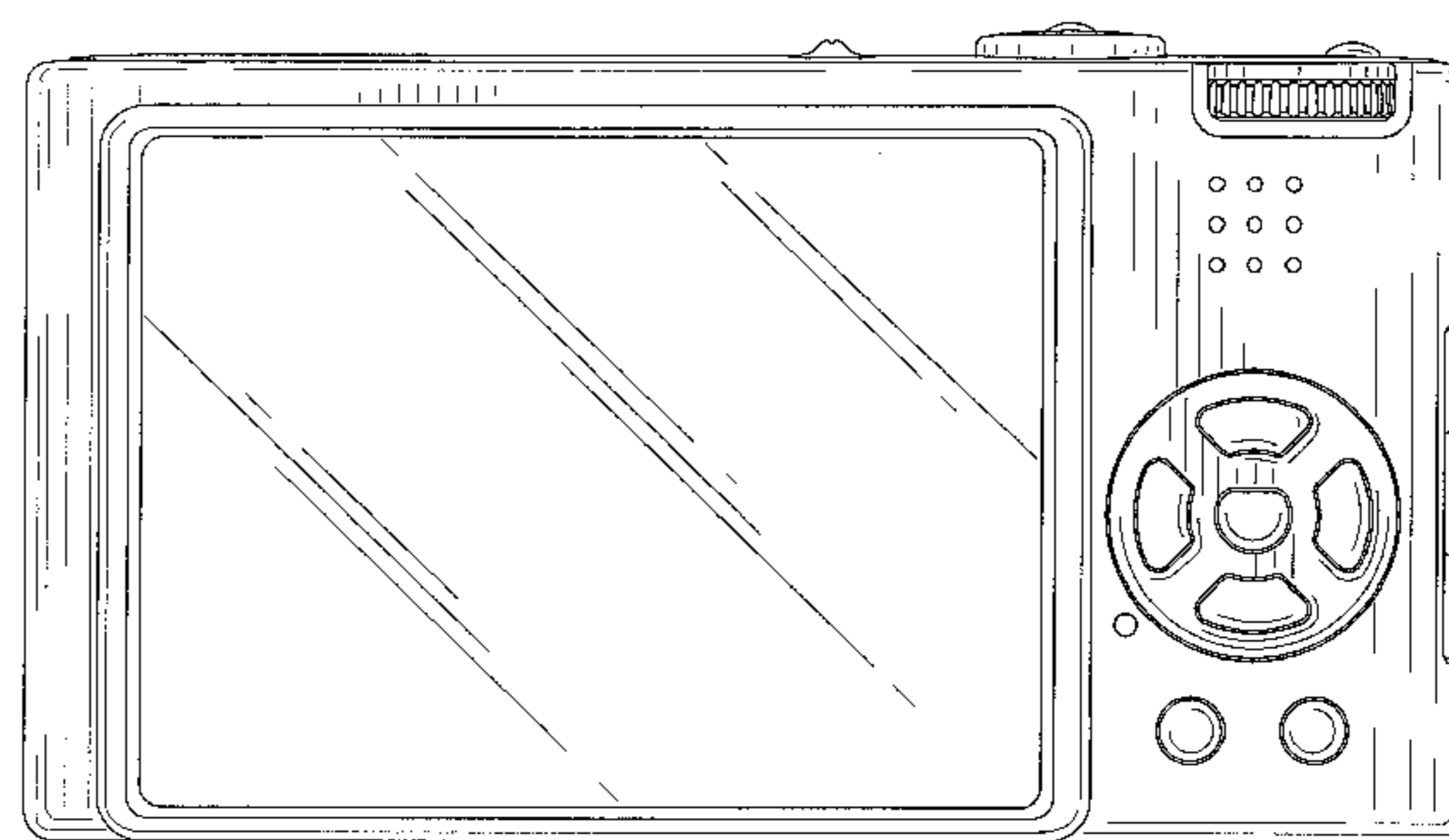
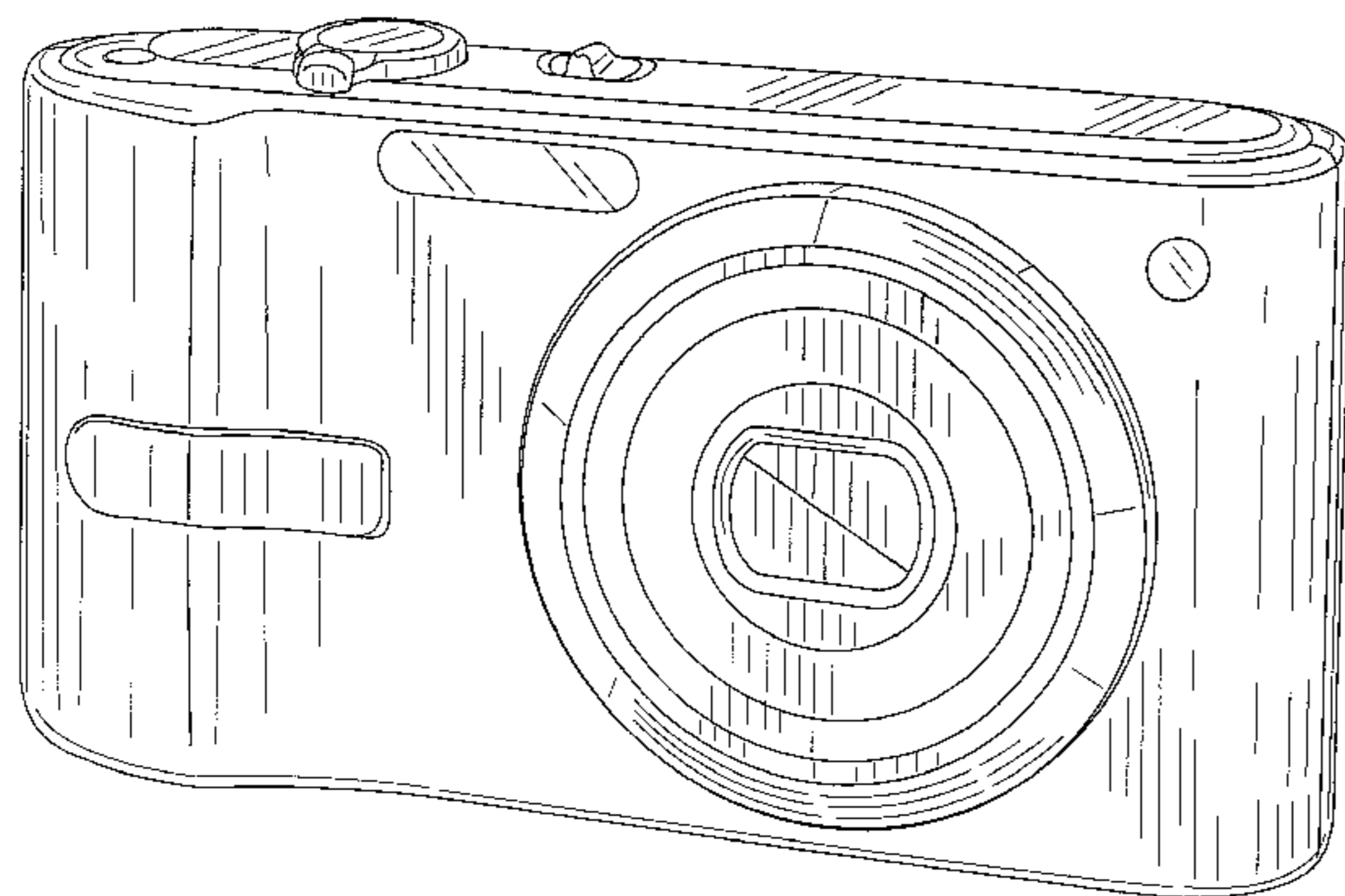


FIG.1

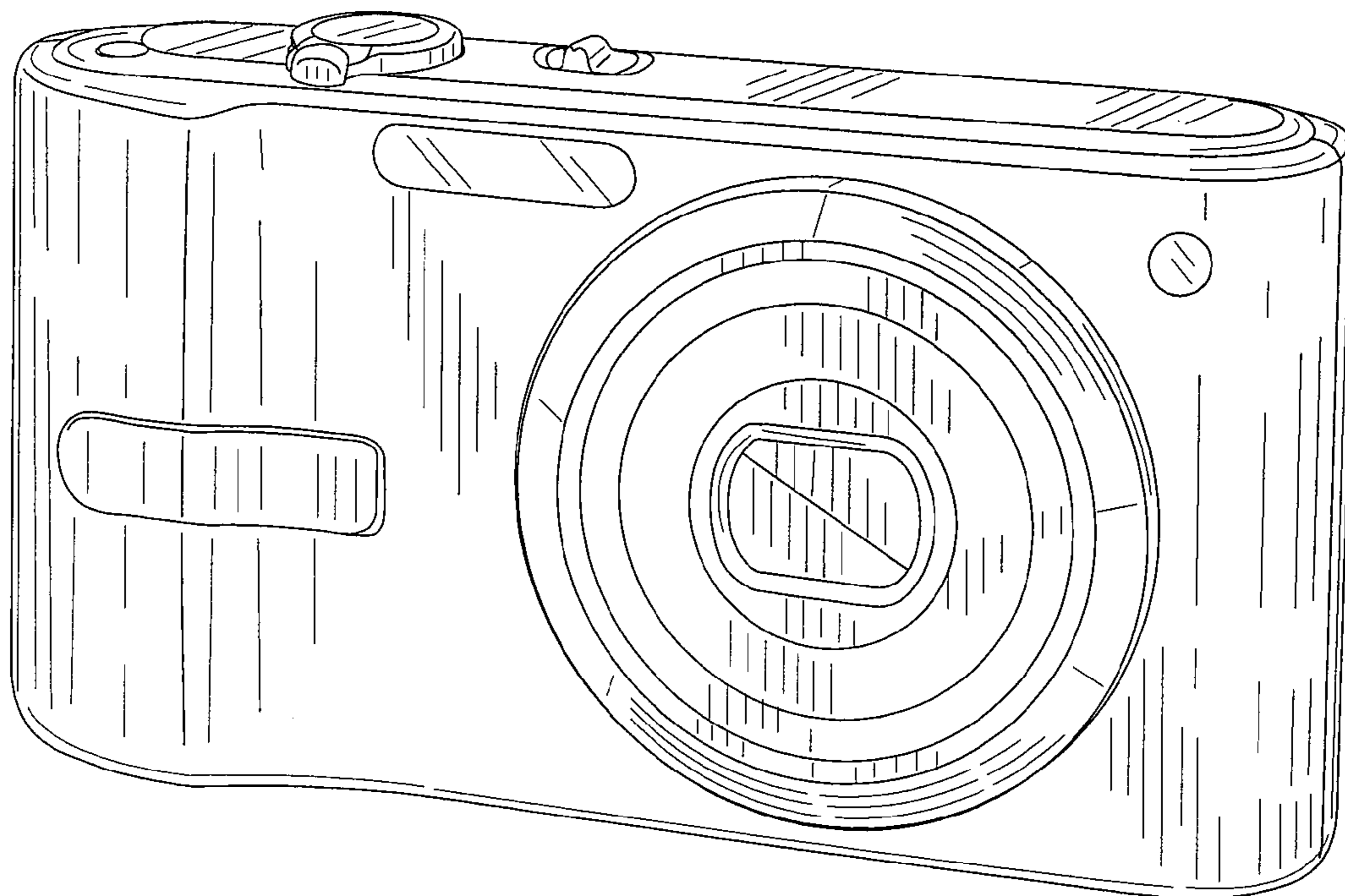


FIG.2

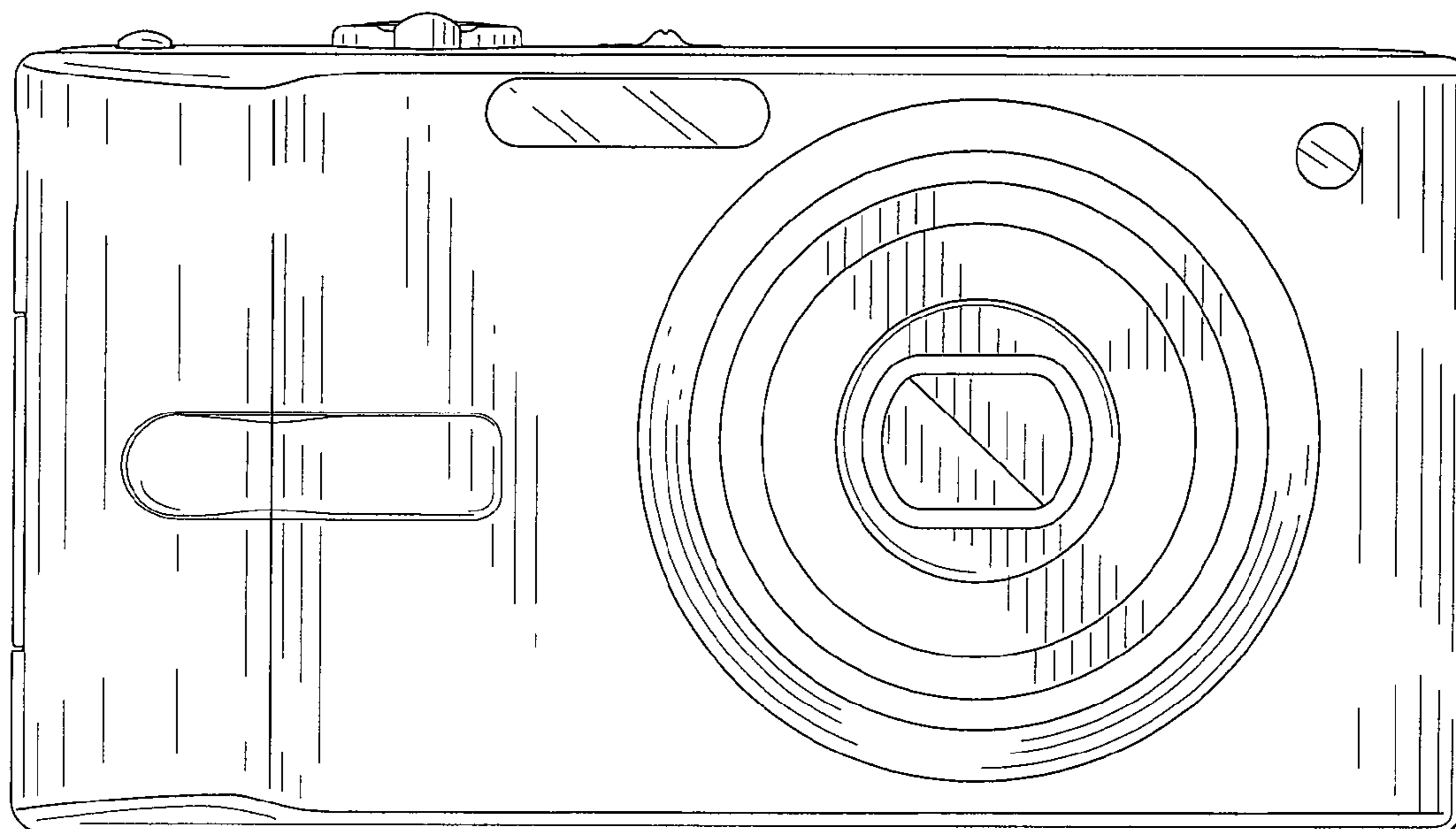


FIG.3

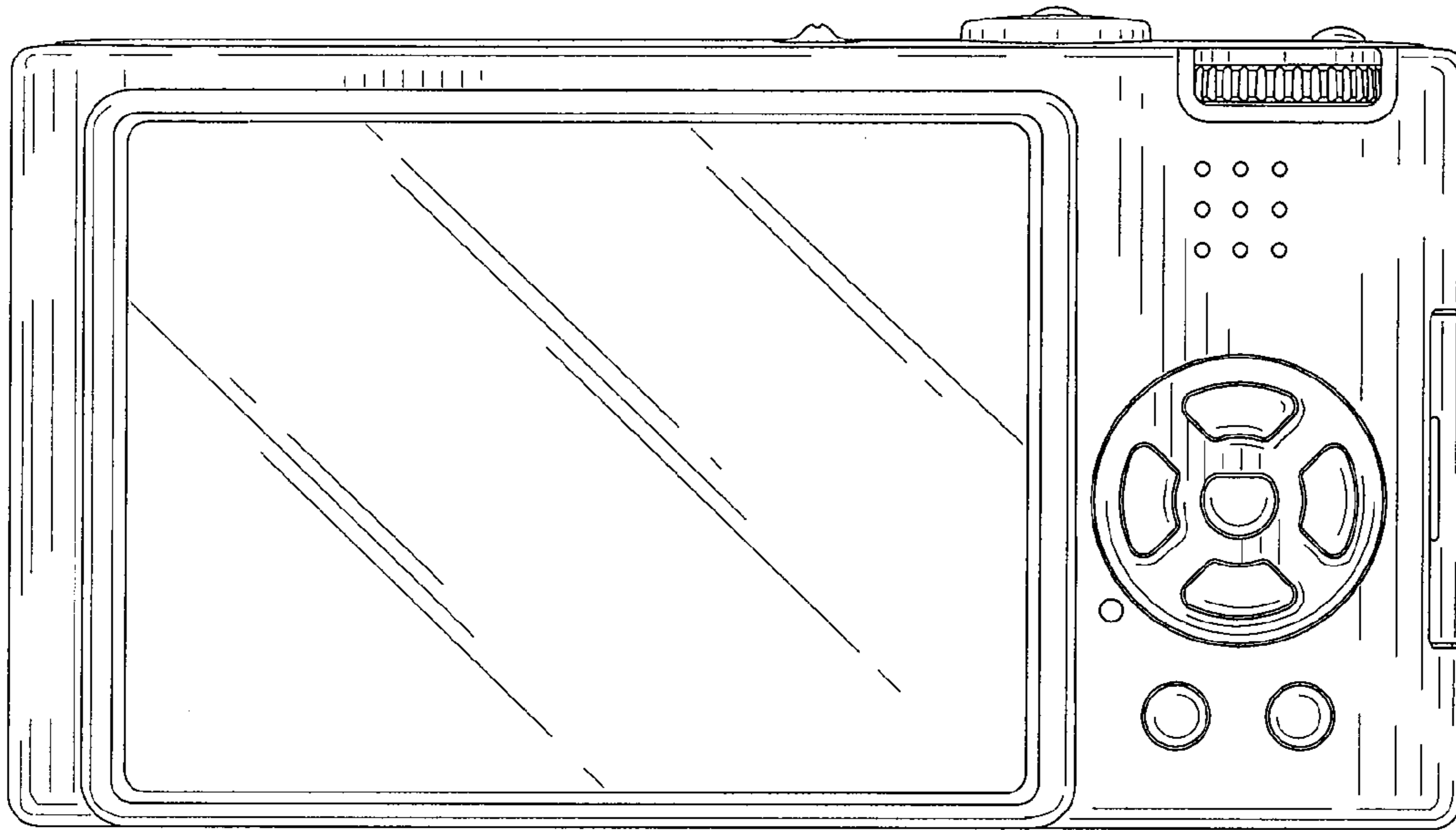


FIG.4

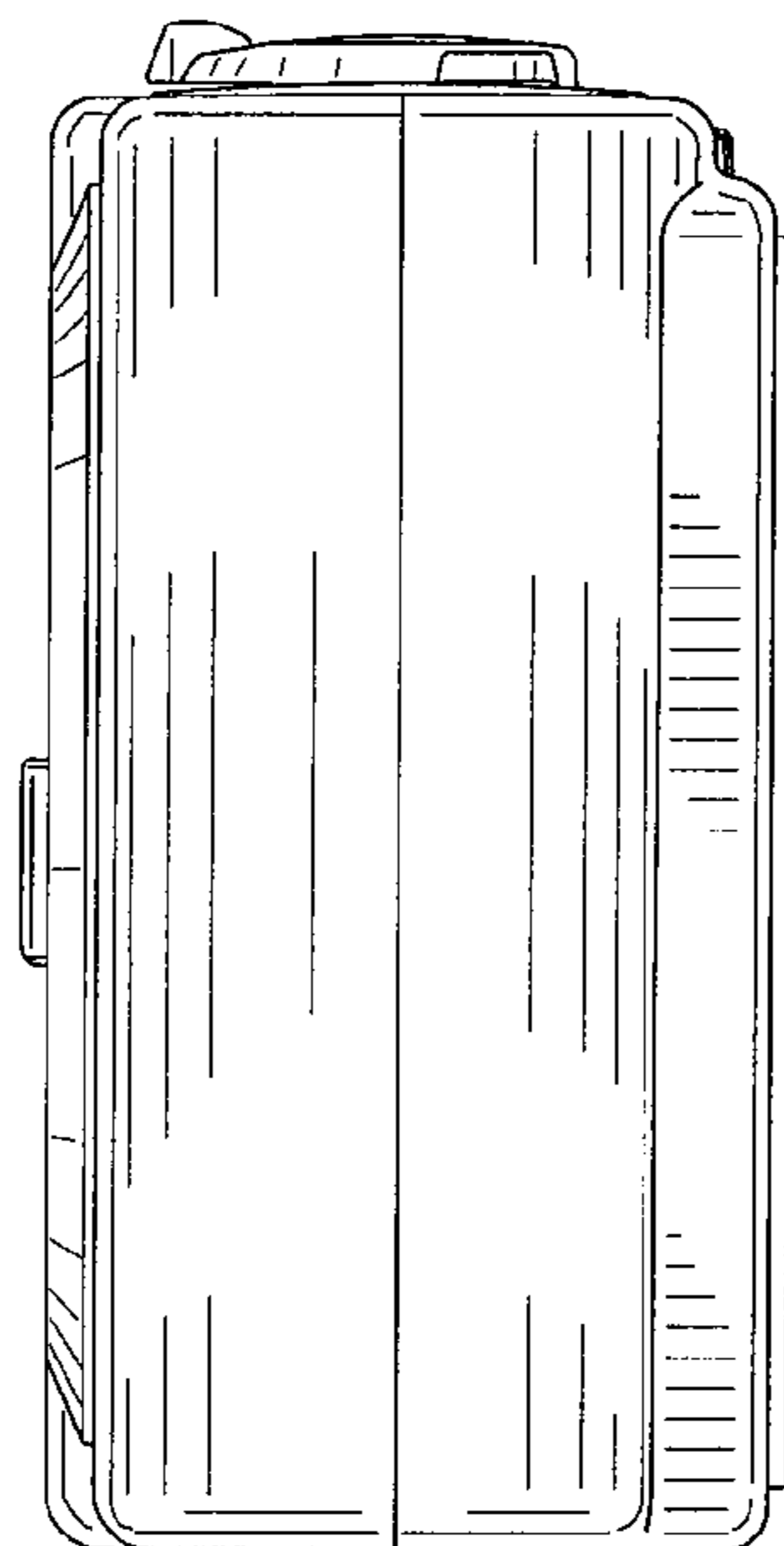


FIG.5

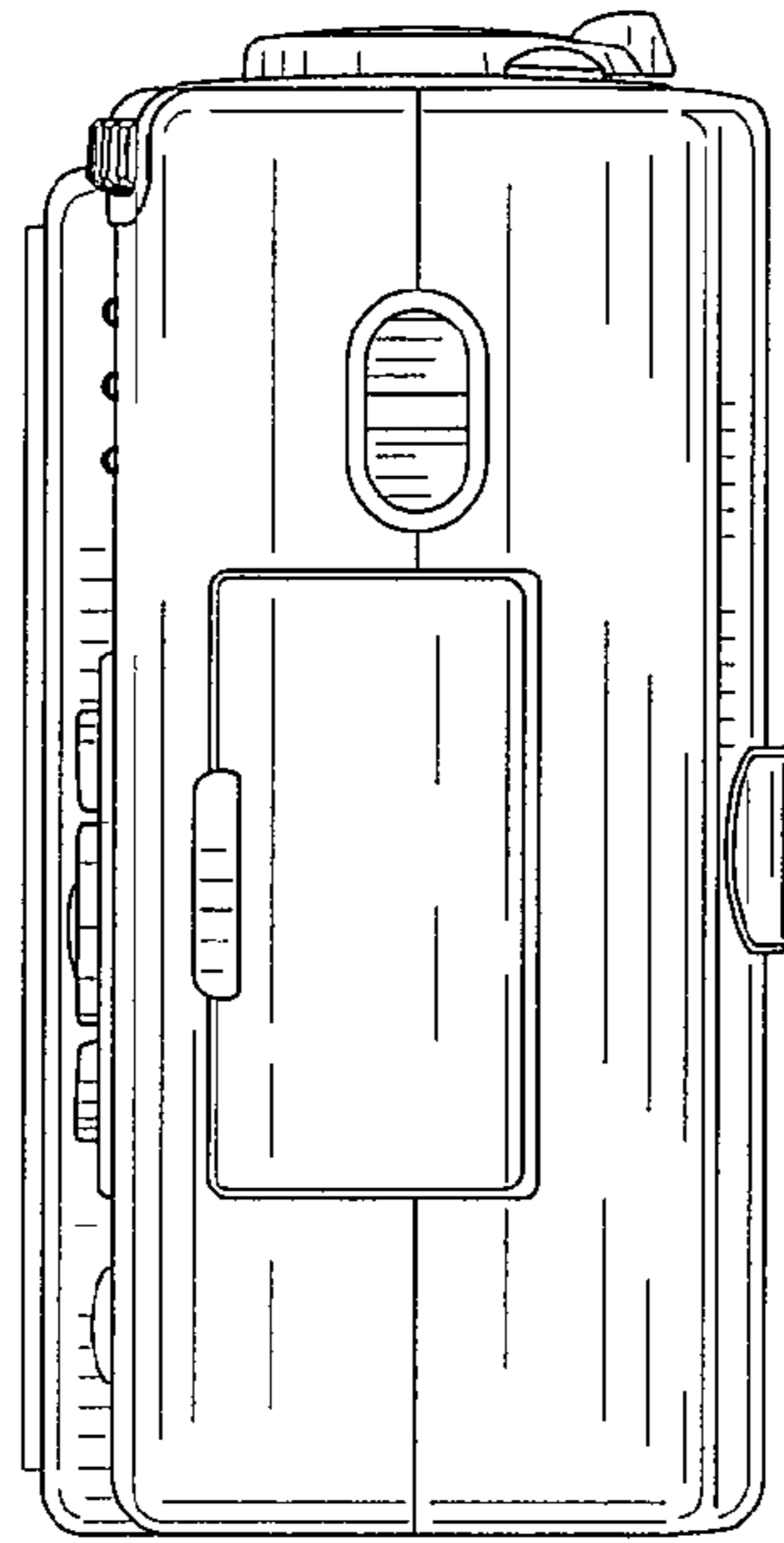


FIG.6

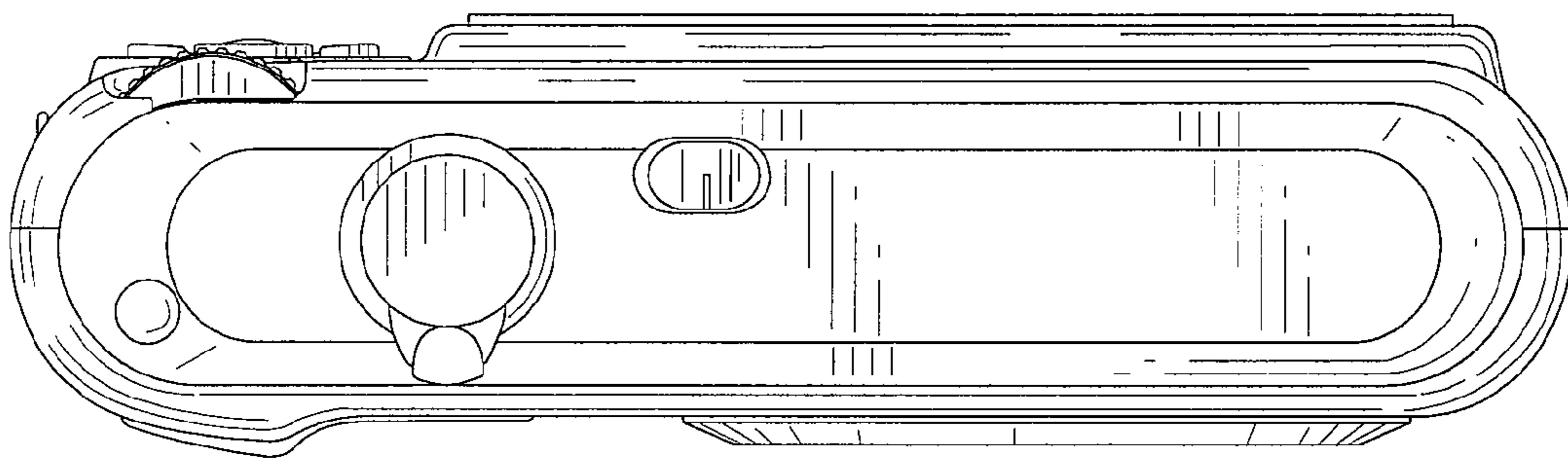


FIG. 7

