



US00D570889S

(12) **United States Design Patent**  
**Nakajima**

(10) **Patent No.:** **US D570,889 S**  
(45) **Date of Patent:** **\*\* Jun. 10, 2008**

(54) **DIGITAL CAMERA**

(75) Inventor: **Kenzo Nakajima**, Hachioji (JP)

(73) Assignee: **Olympus Imaging Corp.**, Tokyo (JP)

(\*\*) Term: **14 Years**

(21) Appl. No.: **29/271,810**

(22) Filed: **Jan. 25, 2007**

(30) **Foreign Application Priority Data**

Dec. 28, 2006 (JP) ..... 2006-036273  
Dec. 28, 2006 (JP) ..... 2006-036274

(51) **LOC (8) Cl.** ..... **16-01**

(52) **U.S. Cl.** ..... **D16/202**

(58) **Field of Classification Search** ..... D16/200-204,  
D16/208, 218, 219; 348/373-376; 358/909.1;  
396/535-541

See application file for complete search history.

(56) **References Cited**

**U.S. PATENT DOCUMENTS**

D508,711 S \* 8/2005 Suzuki ..... D16/218  
D535,314 S \* 1/2007 Chang ..... D16/202  
D547,344 S \* 7/2007 Kurita et al. .... D16/202  
D548,255 S \* 8/2007 Naito ..... D16/202  
D552,146 S \* 10/2007 Masamitsu et al. .... D16/218

D556,807 S \* 12/2007 Senda ..... D16/219  
2005/0012852 A1 \* 1/2005 Gann et al. .... 348/373

\* cited by examiner

*Primary Examiner*—Adir Aronovich

(74) *Attorney, Agent, or Firm*—Straub and Pokotylo; John C. Pokotylo

(57) **CLAIM**

The ornamental design for a digital camera, as shown and described.

**DESCRIPTION**

FIG. 1 is a front, top and right side perspective view of a digital camera, showing my new design;

FIG. 2 is a rear, top and left side perspective view of thereof;

FIG. 3 is a front elevational view thereof;

FIG. 4 is a rear elevational view thereof;

FIG. 5 is a top plan view thereof;

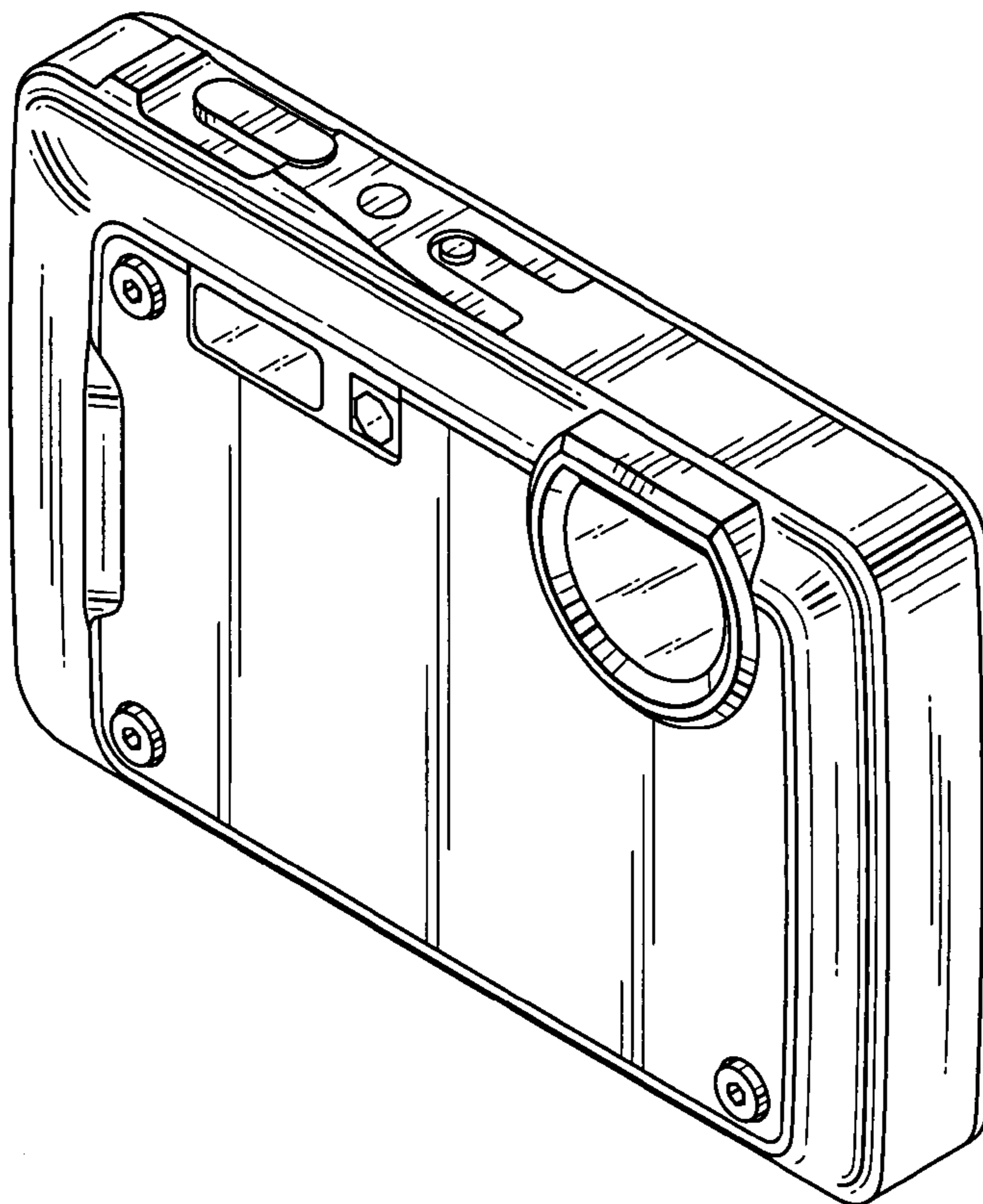
FIG. 6 is a bottom plan view thereof;

FIG. 7 is a left side elevational view thereof; and,

FIG. 8 is a right side elevational view thereof.

The broken lines are for illustrative purposes only and form no part of the claimed design.

**1 Claim, 3 Drawing Sheets**



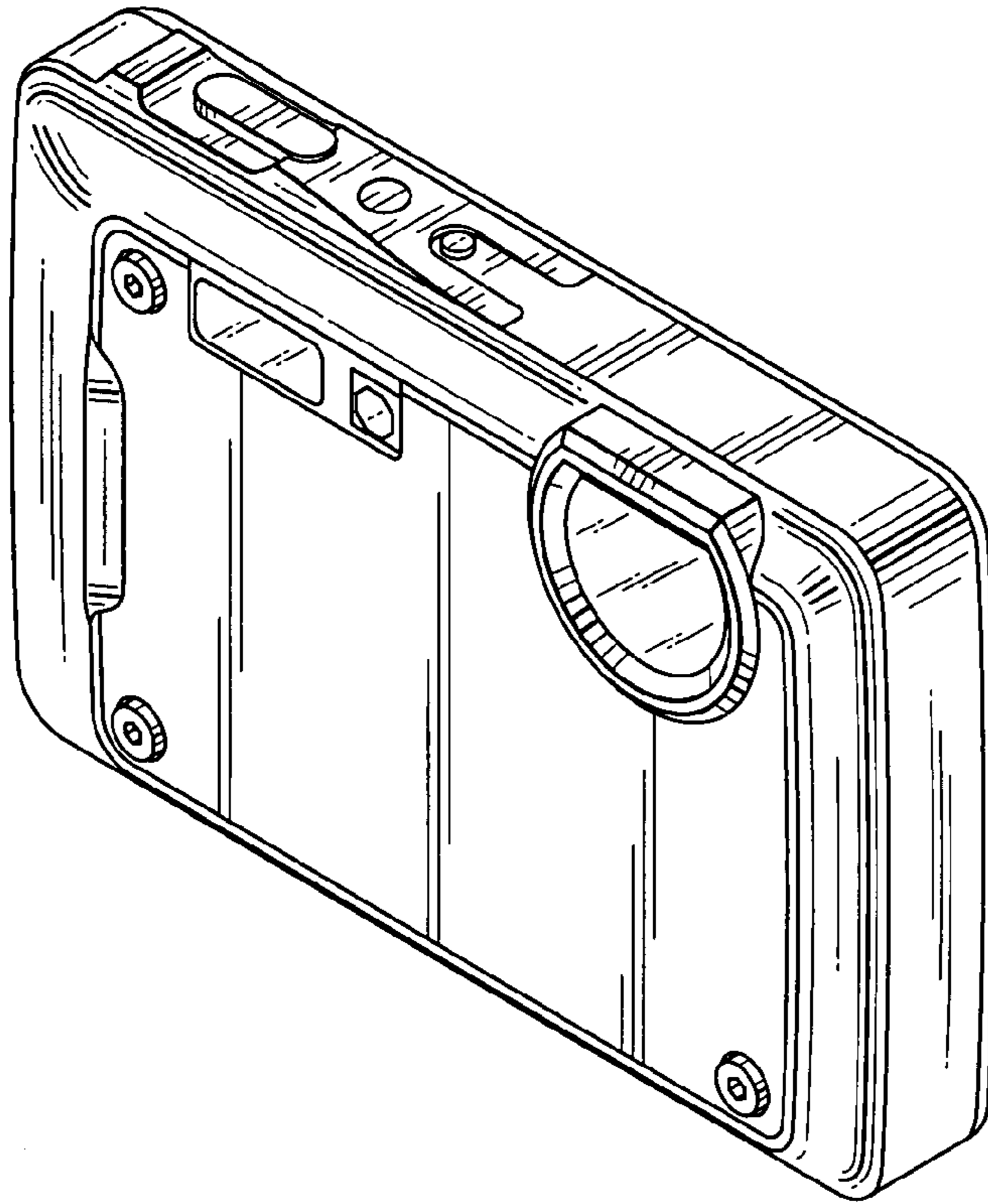


FIG. 1

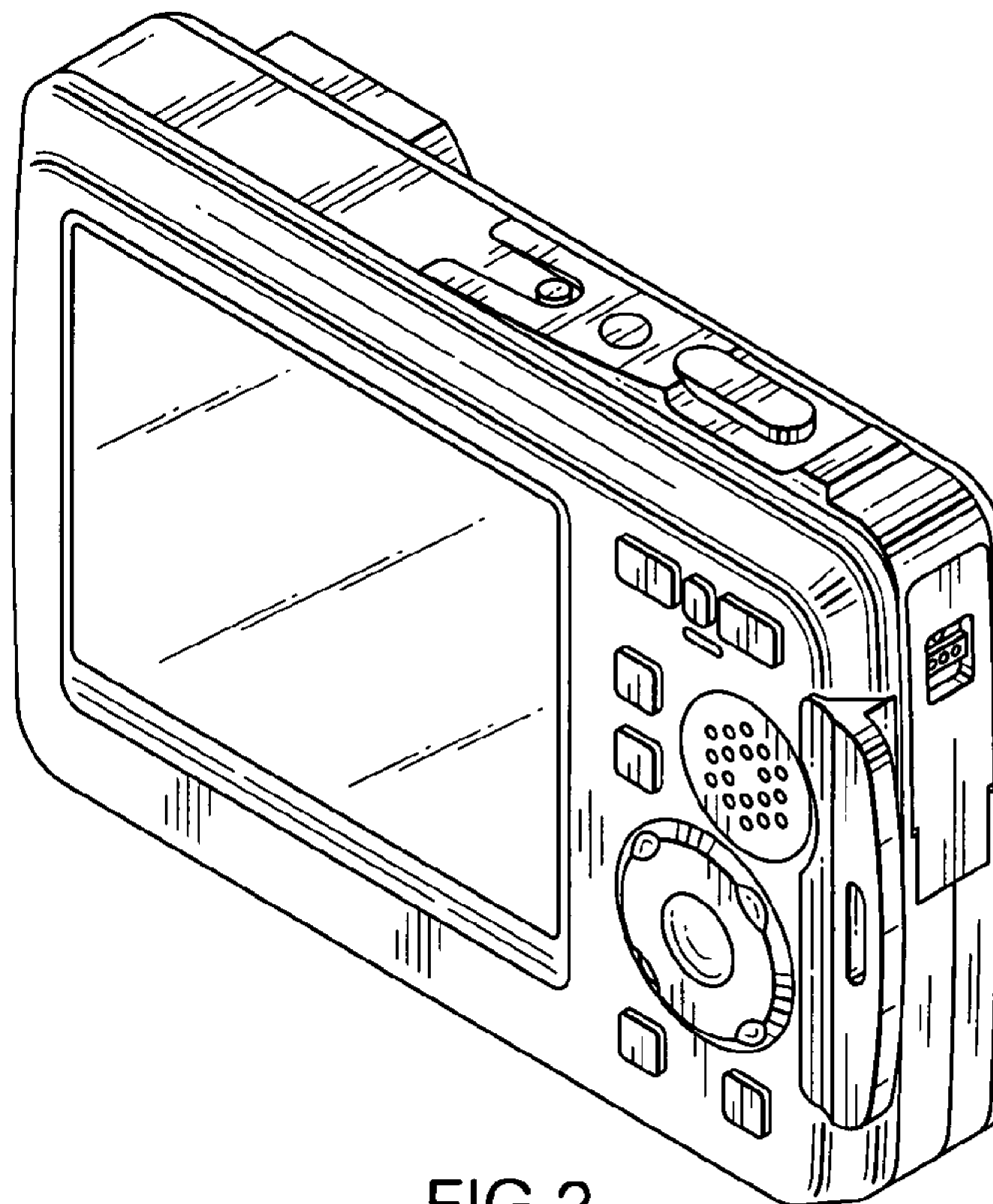


FIG. 2

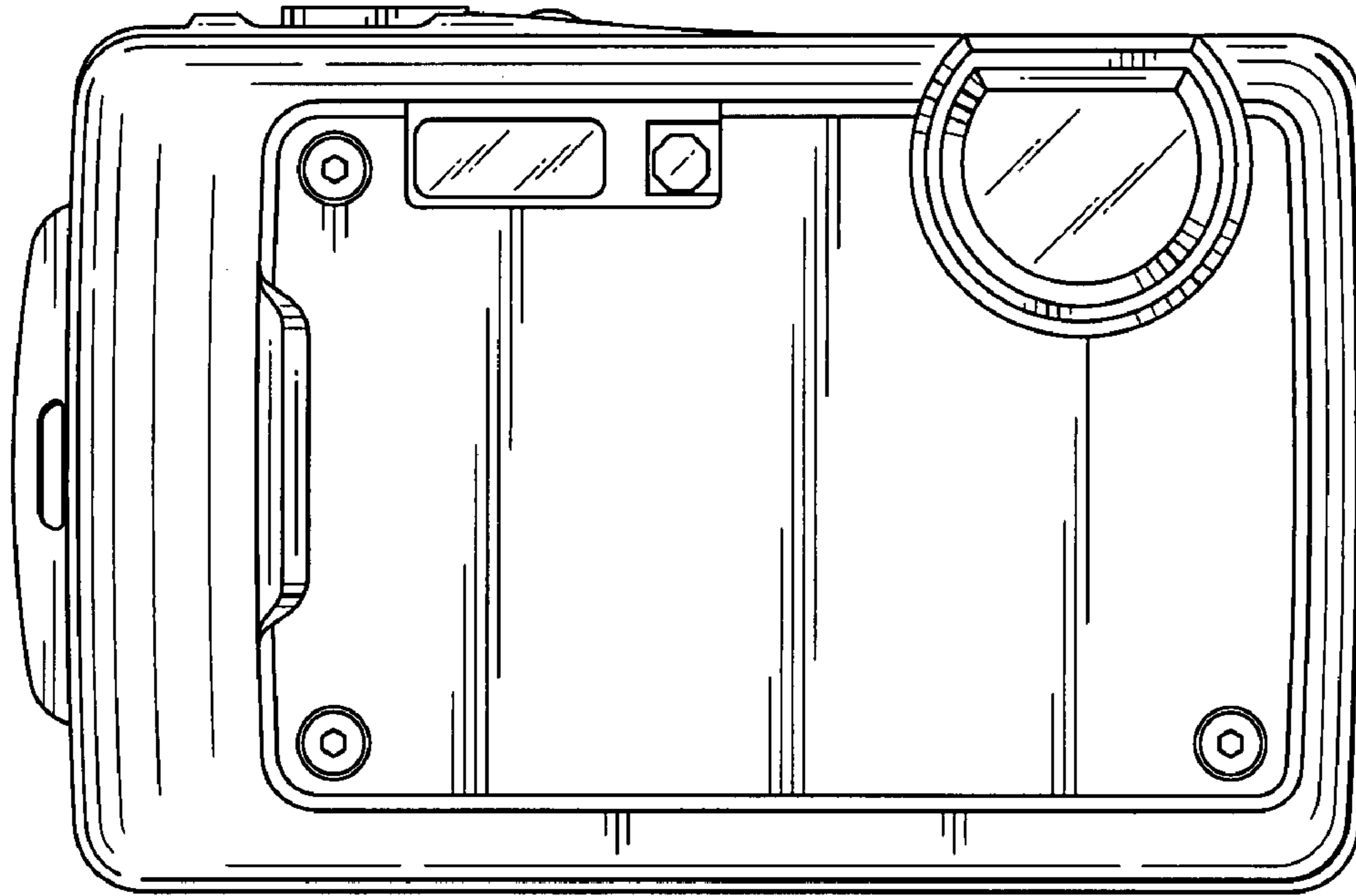


FIG. 3

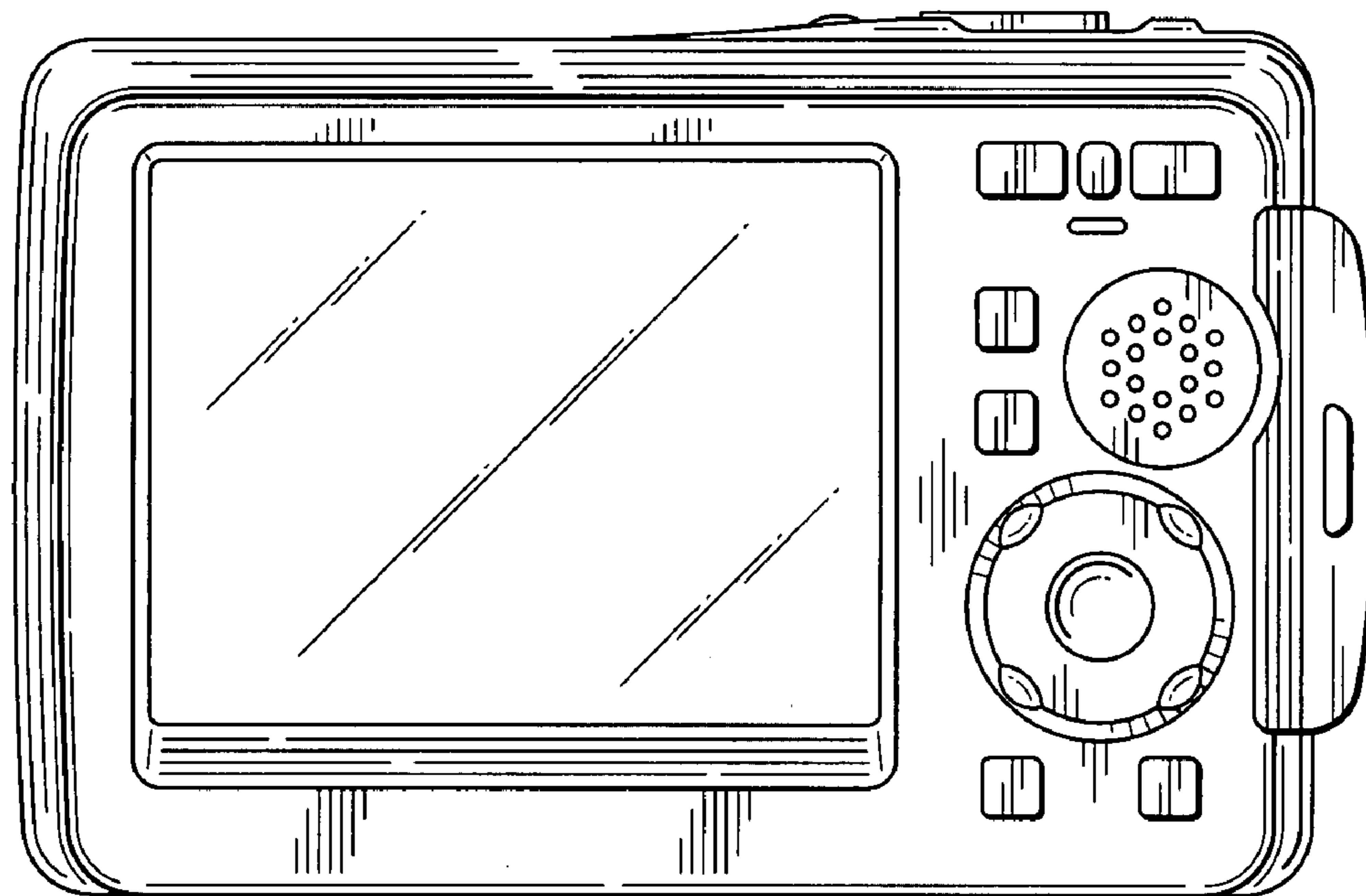


FIG. 4

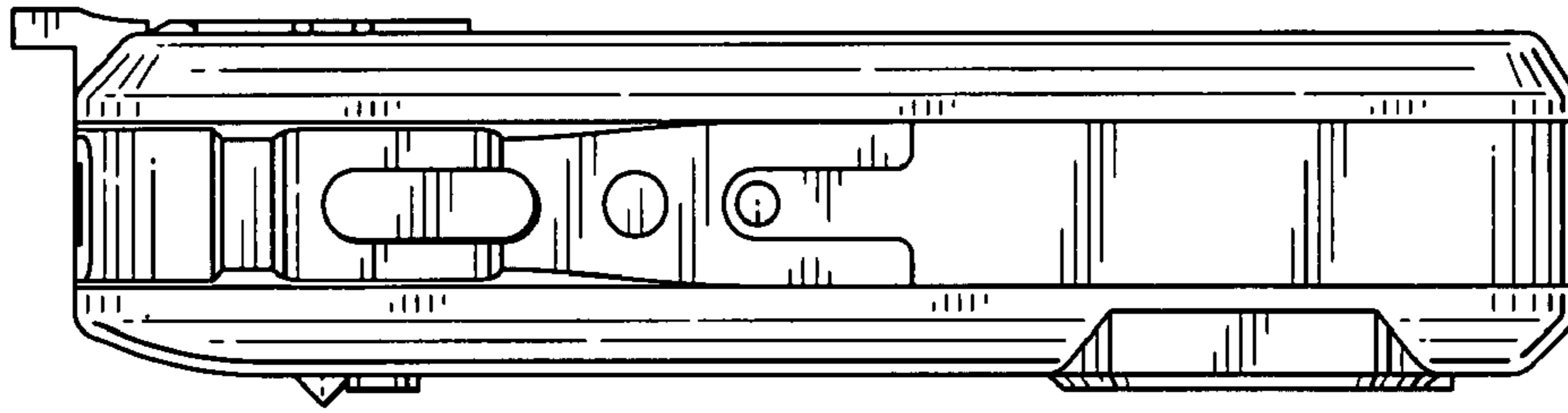


FIG. 5

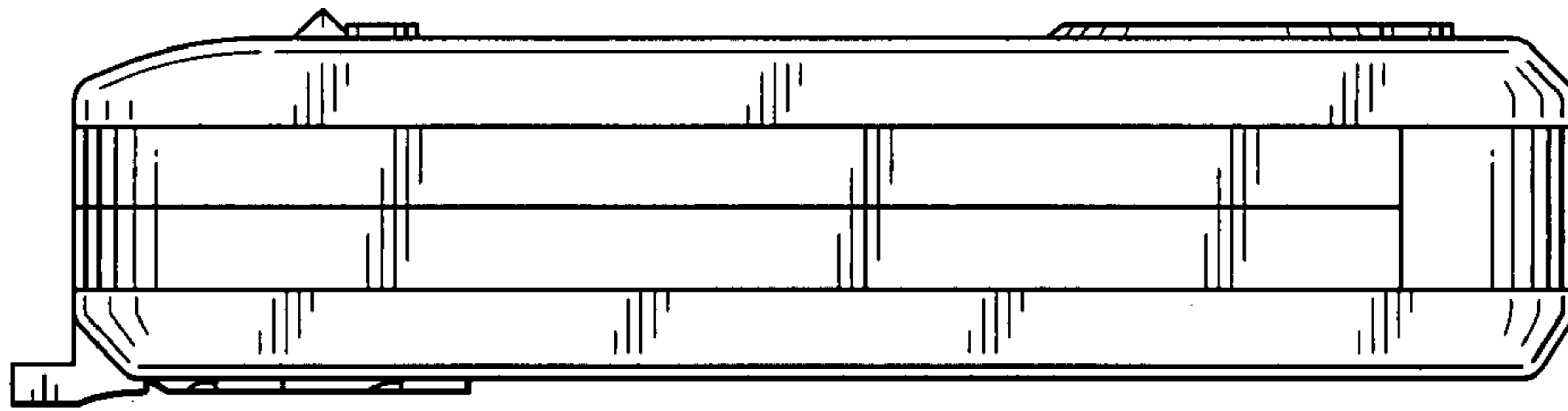


FIG. 6

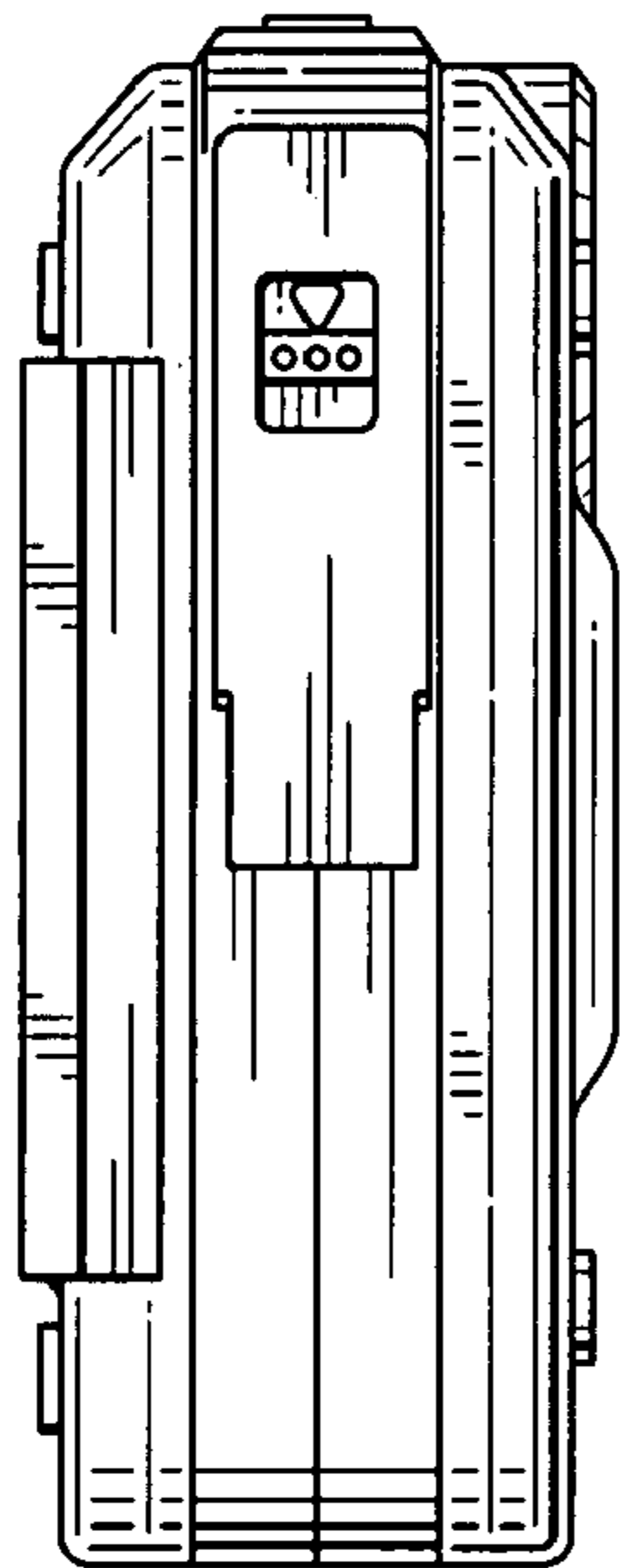


FIG. 7

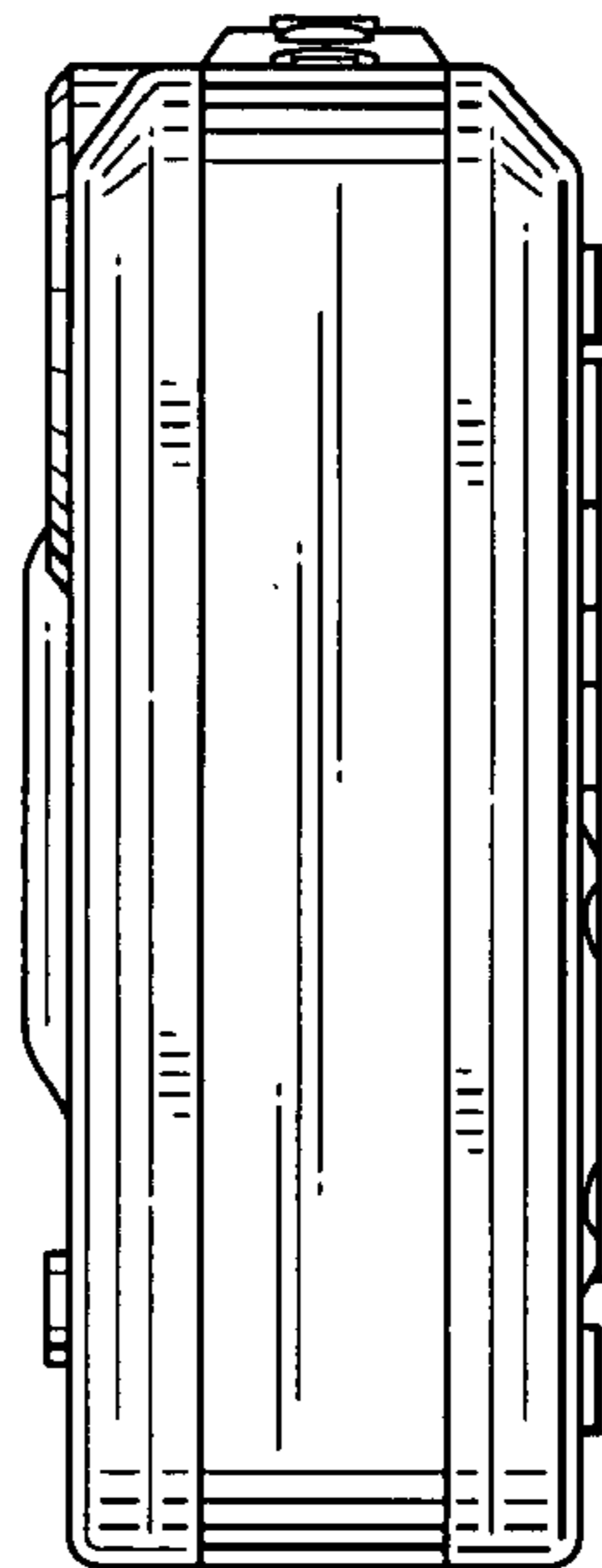


FIG. 8