



US00D570887S

(12) **United States Design Patent**
Johansen

(10) **Patent No.:** **US D570,887 S**
(45) **Date of Patent:** **** Jun. 10, 2008**

(54) **DISTANCE GUIDE FOR POSITIONING AND ARRESTING A LATH IN A ROOF STRUCTURE**

7,028,446 B2 * 4/2006 Winchester 52/105

FOREIGN PATENT DOCUMENTS

DK WO/2006/099868 * 9/2006

* cited by examiner

Primary Examiner—Sandra Snapp
Assistant Examiner—Patricia Palasik
(74) *Attorney, Agent, or Firm*—Klein, O’Neill & Singh, LLP;
Howard J. Klein

(76) **Inventor:** **Knud E. Johansen**, Dragsbaekvej 80,
Thisted (DK) DK-7700

(**) **Term:** **14 Years**

(21) **Appl. No.:** **29/279,215**

(22) **Filed:** **Apr. 23, 2007**

(30) **Foreign Application Priority Data**

Oct. 24, 2006 (EM) 000616271

(51) **LOC (8) Cl.** **15-09**

(52) **U.S. Cl.** **D15/142; D10/64**

(58) **Field of Classification Search** D8/302;
D10/64, 74, 79, 80, 103; D15/142; 33/758,
33/760, 770; 52/105; 83/137

See application file for complete search history.

(56) **References Cited**

U.S. PATENT DOCUMENTS

- 3,210,850 A * 10/1965 Grzyb 33/758
- 4,212,108 A * 7/1980 Jackson D10/64
- 4,815,408 A * 3/1989 Burd 52/105
- 5,056,234 A * 10/1991 Han 33/759
- 5,437,128 A * 8/1995 Gremillion D25/133
- 5,546,671 A * 8/1996 Kehoe 33/760
- 5,613,621 A * 3/1997 Gervasi 33/758
- 6,226,885 B1 * 5/2001 Korich 33/760
- 6,381,907 B1 * 5/2002 MacKarvich 52/105
- 6,494,014 B2 * 12/2002 Lafrance 33/758

(57) **CLAIM**

The ornamental design for a distance guide for positioning and arresting a lath in a roof structure, as shown and described.

DESCRIPTION

FIG. 1 is a perspective view of a distance guide for positioning and arresting a lath in roof structure, as viewed from the front, top, and right side thereof, in accordance with my new design;

FIG. 2 is a perspective view of the distance guide of FIG. 1, as viewed from the rear, top, and left side thereof;

FIG. 3 is a top plan view of the distance guide of FIG. 1, the bottom plan view being a mirror image thereof;

FIG. 4 is a front elevational view of the distance guide of FIG. 1;

FIG. 5 is a rear elevational view of the distance guide of FIG. 1;

FIG. 6 is a side elevational view of the distance guide of FIG. 1, taken from the left side of FIG. 1; and,

FIG. 7 is a side elevational view of the distance guide of FIG. 1, taken from the right side of FIG. 1.

1 Claim, 2 Drawing Sheets

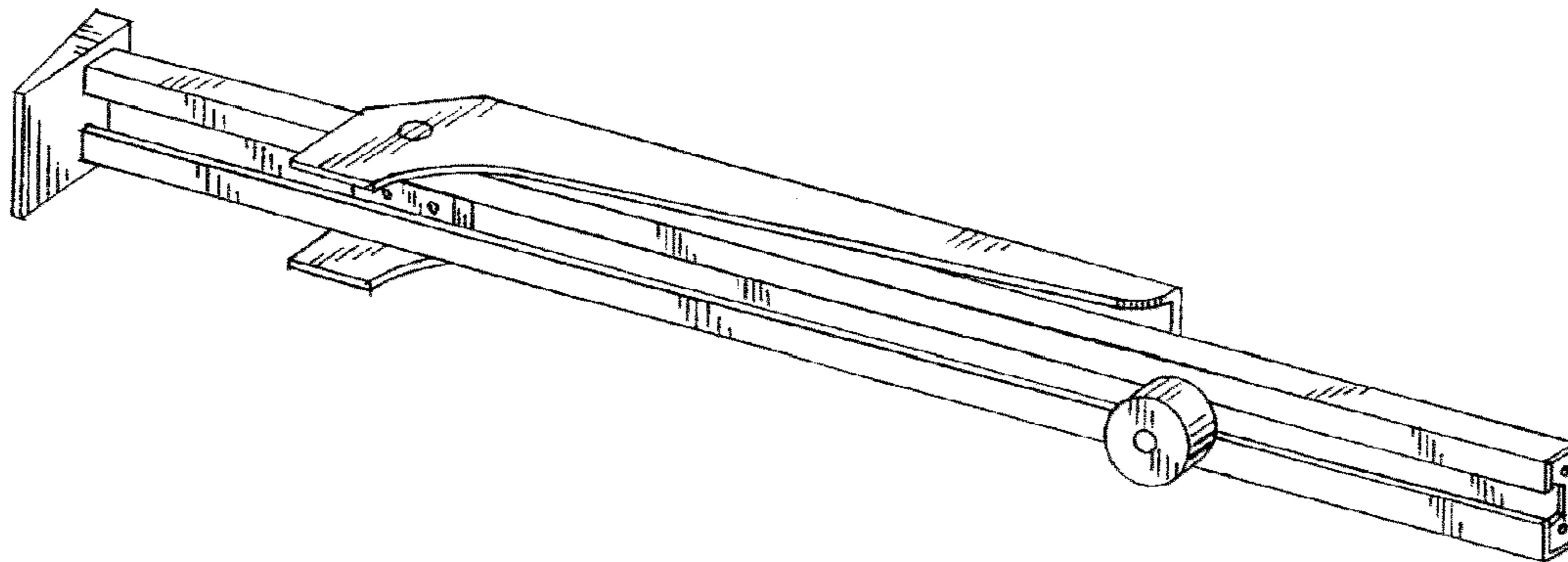


FIG. 1

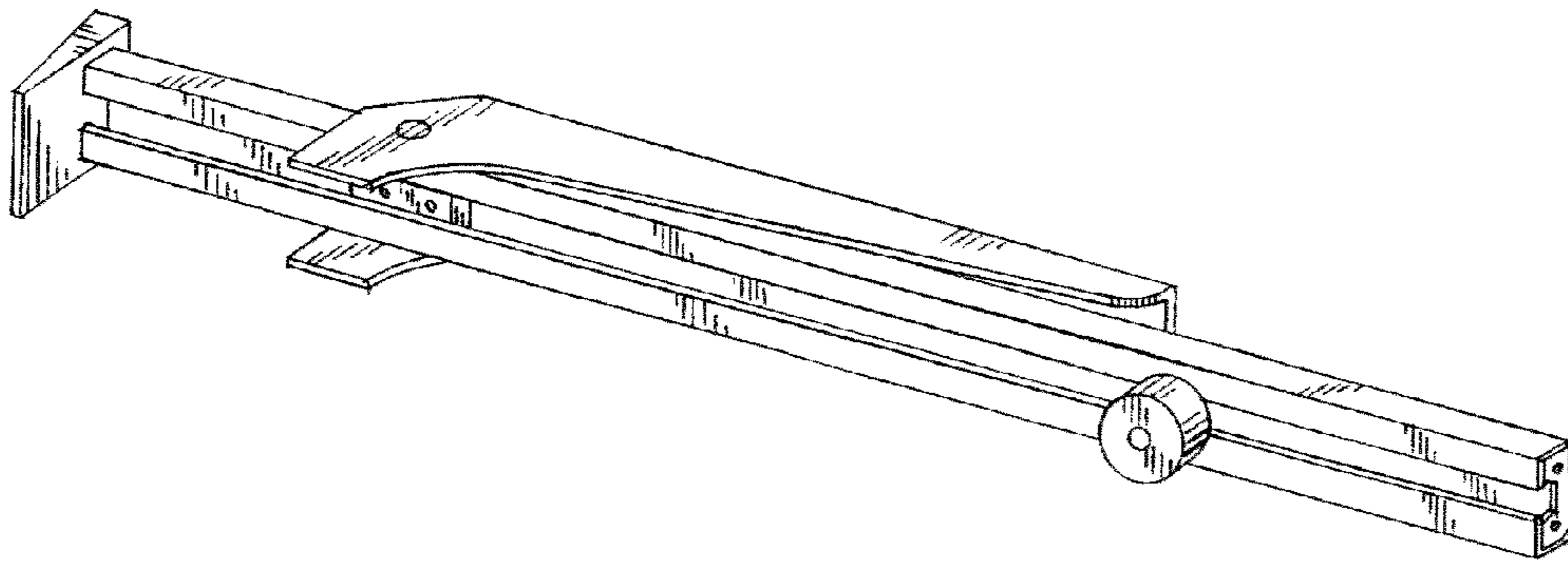
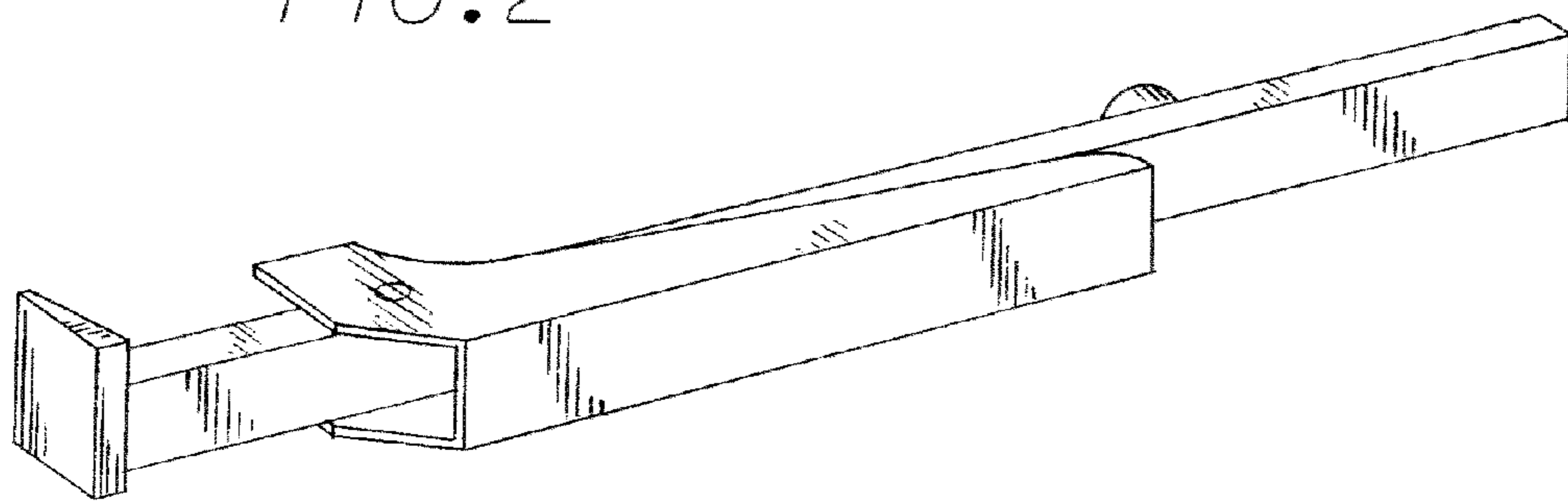


FIG. 2



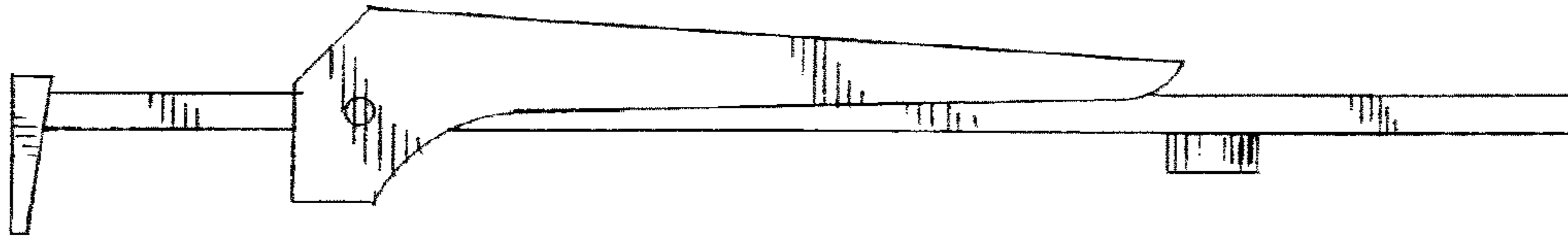


FIG. 3

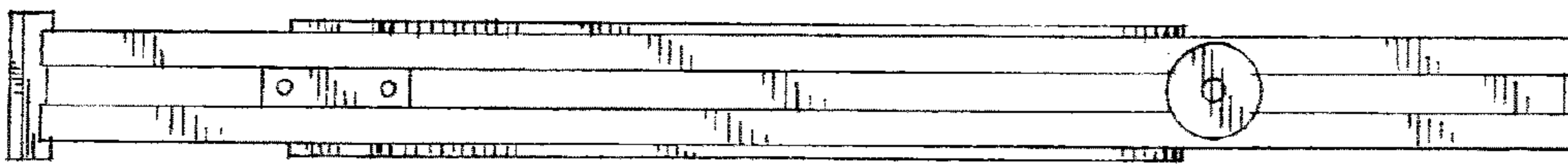


FIG. 4

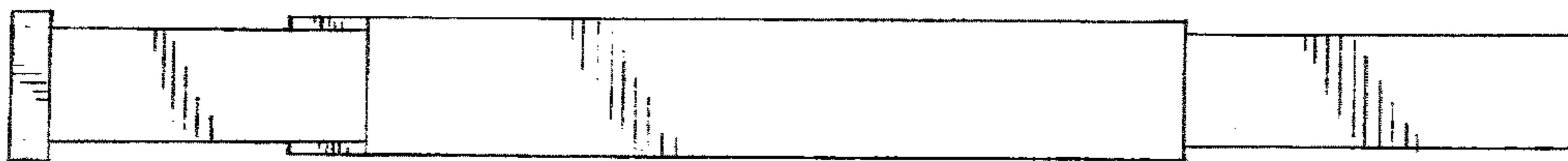


FIG. 5

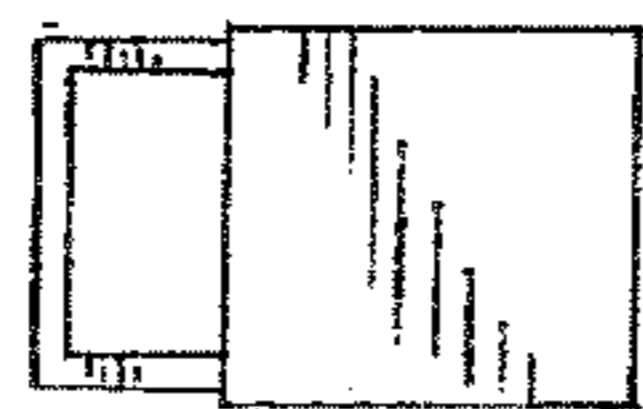


FIG. 6

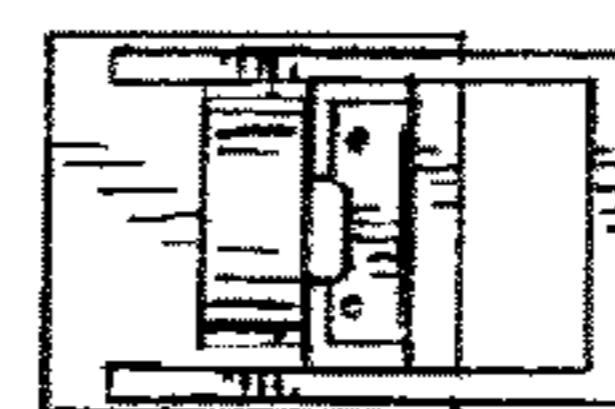


FIG. 7