

US00D570886S

(12) **United States Design Patent**
Chiang

(10) **Patent No.:** **US D570,886 S**

(45) **Date of Patent:** **** Jun. 10, 2008**

(54) **CHISEL**

(75) Inventor: **Chun-Li Chiang**, Taichung (TW)

(73) Assignee: **Everpads Co., Ltd.**, Taichung (TW)

(**) Term: **14 Years**

(21) Appl. No.: **29/302,404**

(22) Filed: **Jan. 16, 2008**

(51) **LOC (8) Cl.** **15-09**

(52) **U.S. Cl.** **D15/139**

(58) **Field of Classification Search** D8/70,
D8/85, 86; D15/126, 138, 139, 140; 175/57,
175/420.1, 420.2; 299/104, 106-107, 113
See application file for complete search history.

(56) **References Cited**

U.S. PATENT DOCUMENTS

D420,013 S *	2/2000	Warren et al.	D15/139
D424,075 S *	5/2000	Streich	D15/140
D429,262 S *	8/2000	Streich	D15/140
6,371,567 B1 *	4/2002	Sollami	299/104
D460,769 S *	7/2002	Sollami	D15/140
6,585,327 B2 *	7/2003	Sollami	299/107
D488,170 S *	4/2004	Sollami	D15/140
6,786,557 B2 *	9/2004	Montgomery, Jr.	299/104

D520,035 S *	5/2006	Kammerer	D15/139
D558,241 S *	12/2007	Chiang	D15/139
D558,242 S *	12/2007	Chiang	D15/139
2007/0257545 A1 *	11/2007	Mouthaan et al.	299/107
2008/0036272 A1 *	2/2008	Hall et al.	299/104

* cited by examiner

Primary Examiner—Sandra Snapp

Assistant Examiner—Patricia Palasik

(74) *Attorney, Agent, or Firm*—Morris Manning Martin LLP; Tim Tingkang Xia, Esq.

(57) **CLAIM**

The ornamental design for a chisel, as shown and described.

DESCRIPTION

FIG. 1 is a perspective view of a chisel showing my new design;

FIG. 2 is a front elevational view thereof;

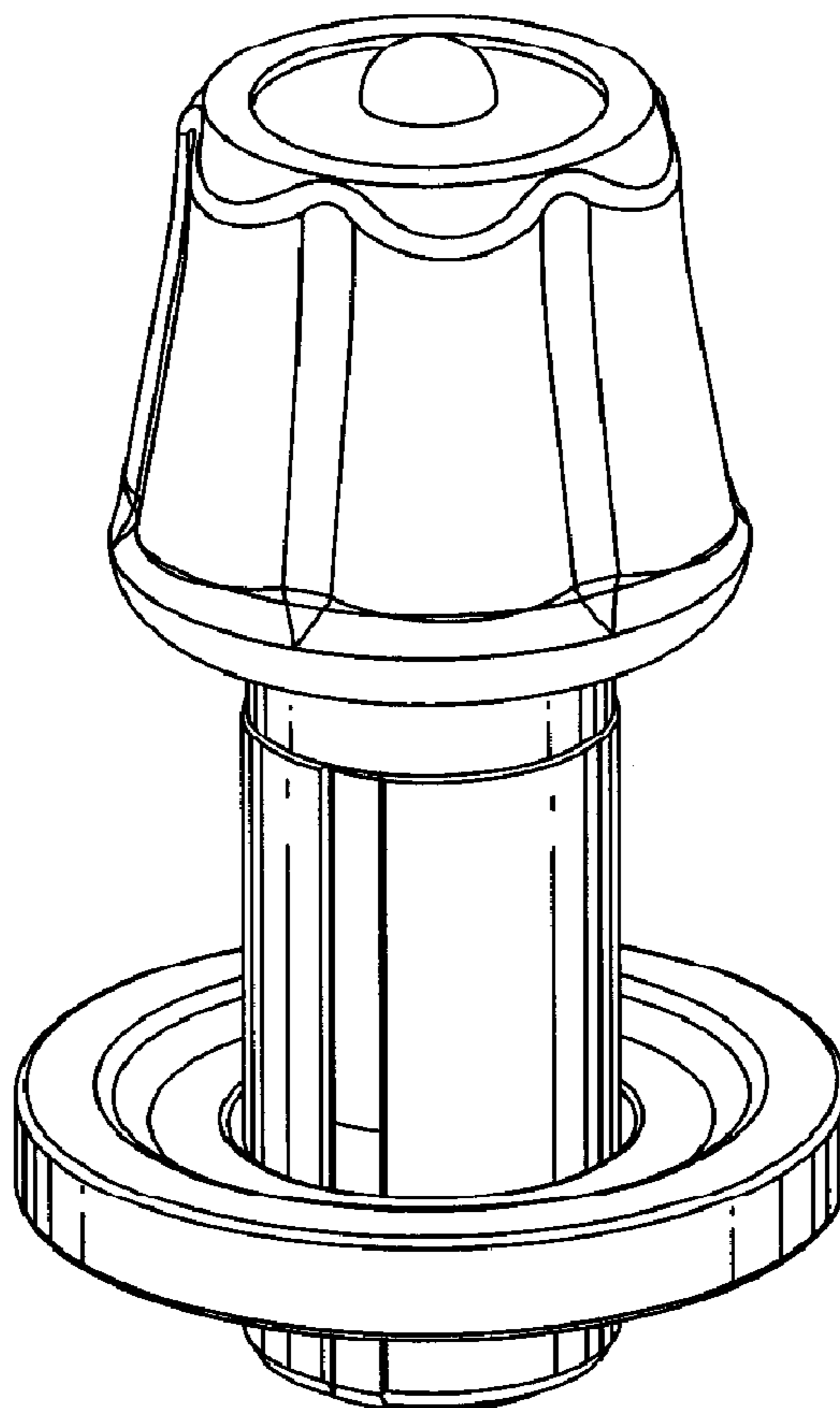
FIG. 3 is a rear elevational view thereof;

FIG. 4 is a left (right) side elevational view thereof;

FIG. 5 is a top plan view thereof; and,

FIG. 6 is a bottom plan view thereof.

1 Claim, 5 Drawing Sheets



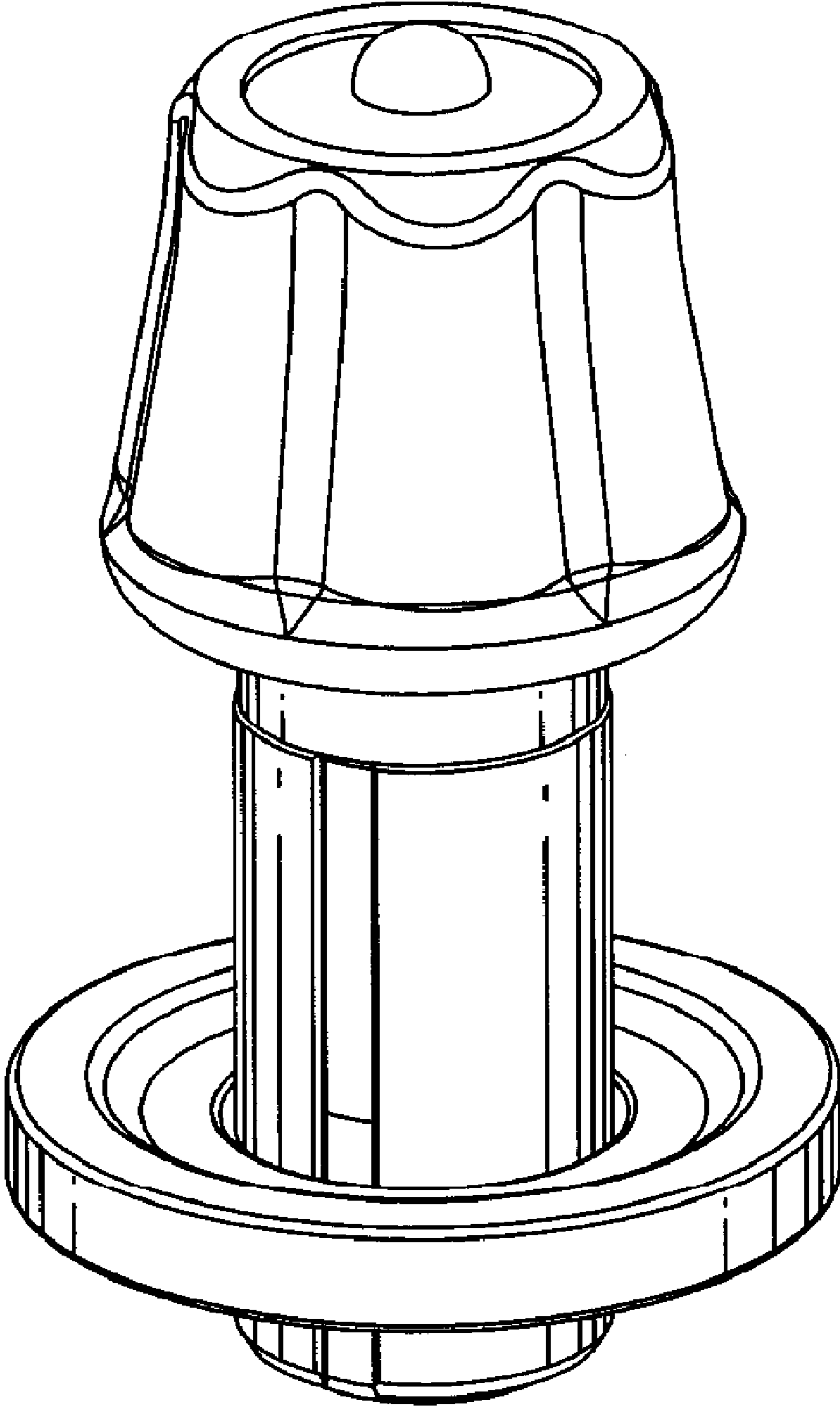


FIG. 1

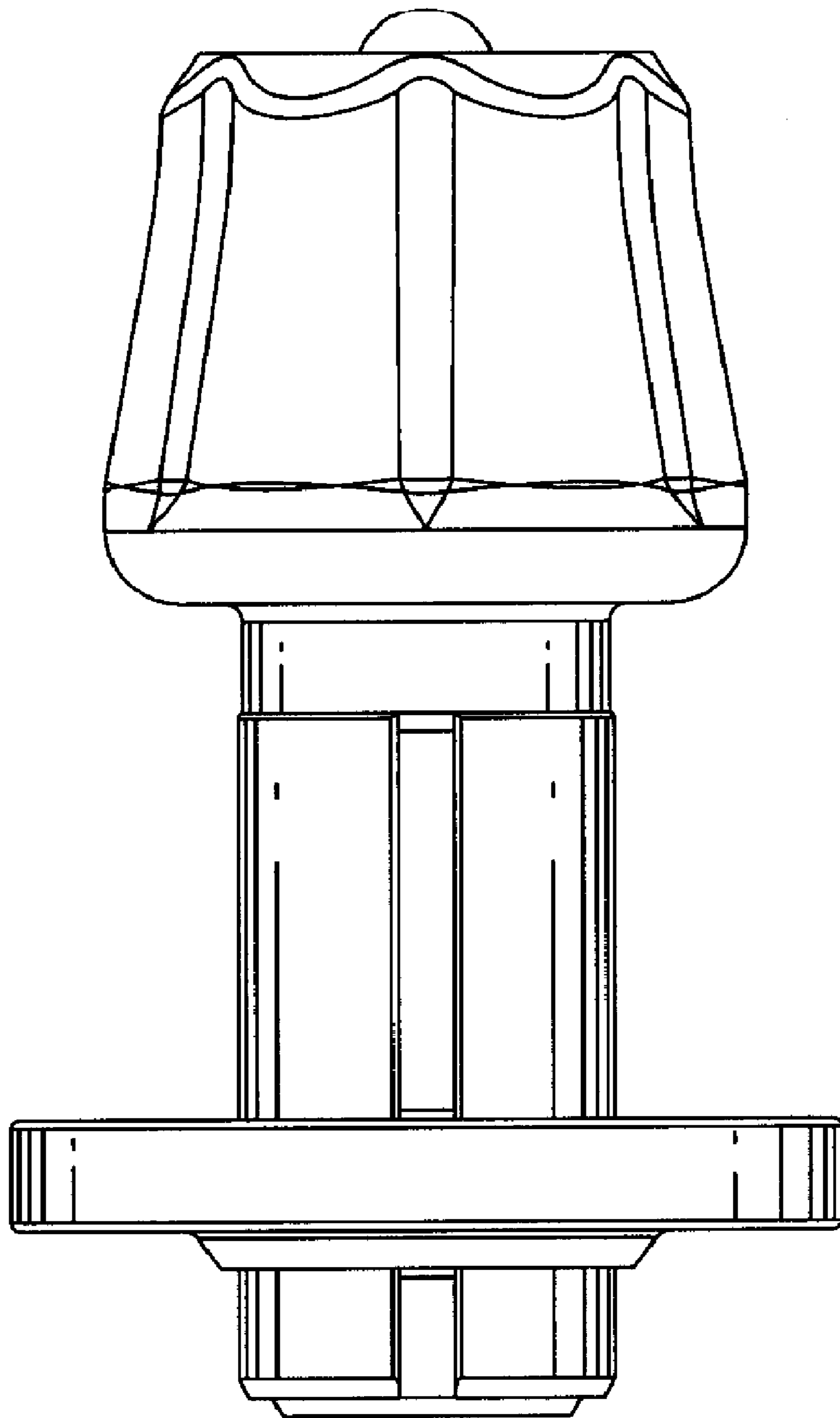


FIG. 2

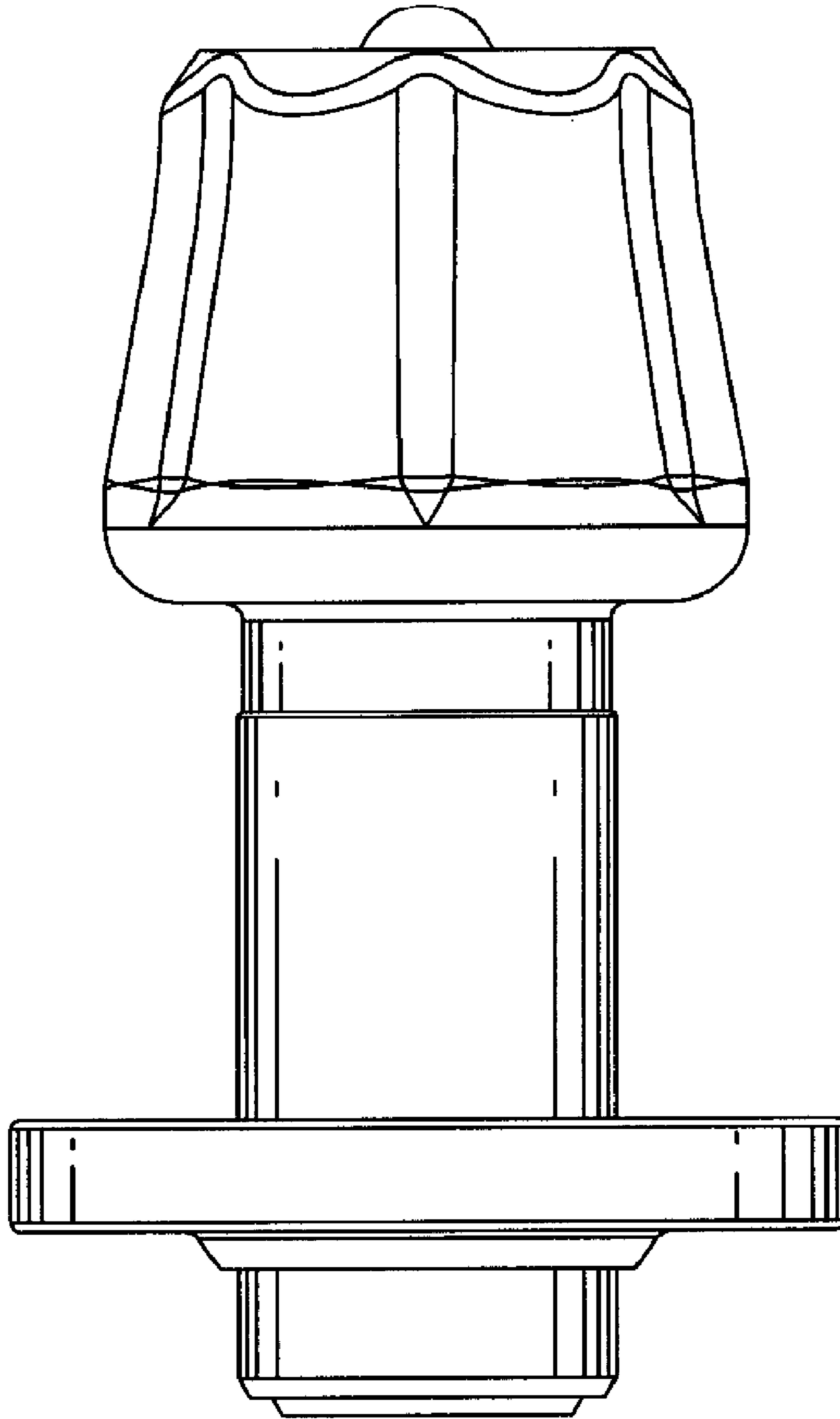


FIG. 3

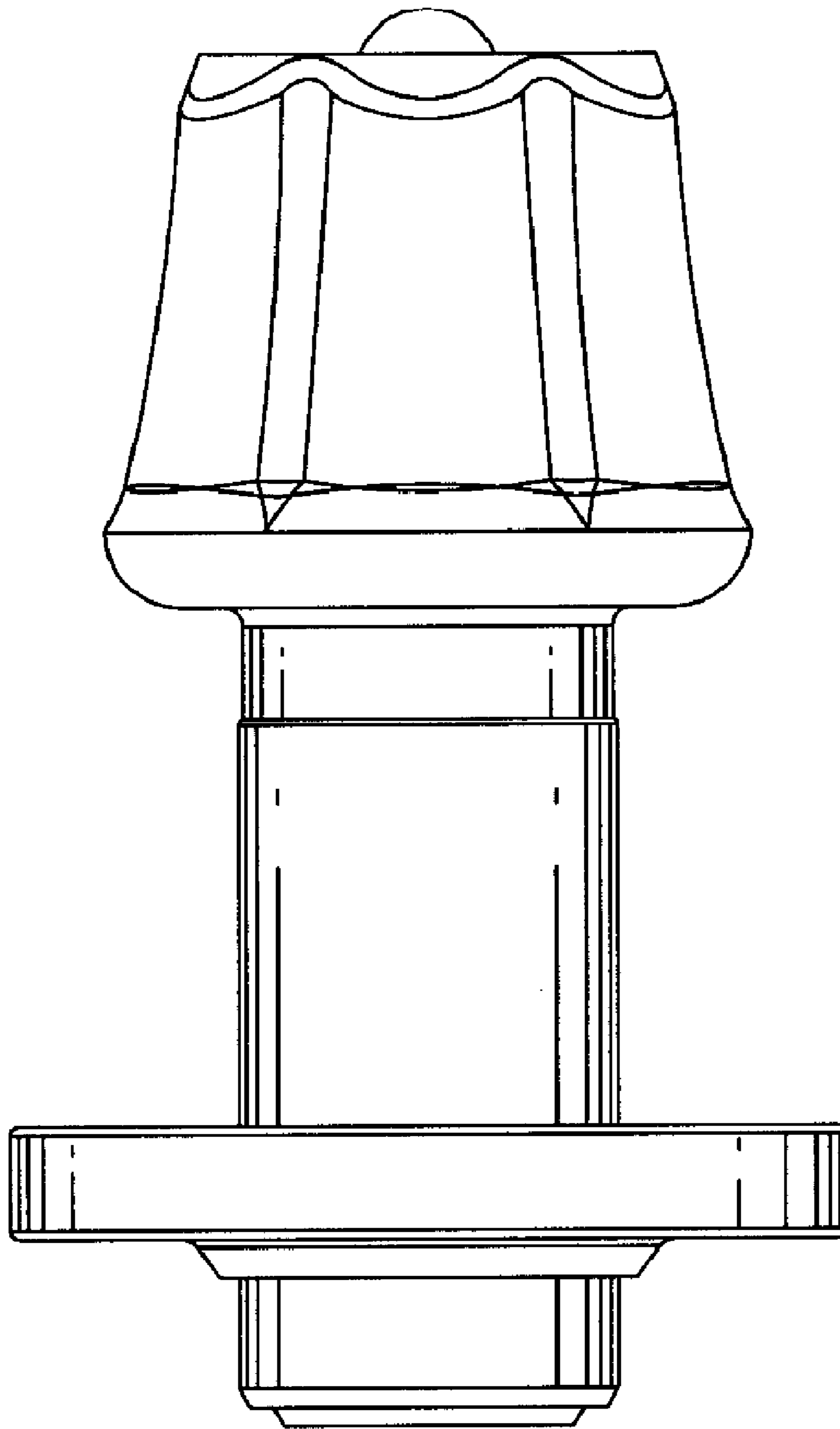


FIG. 4

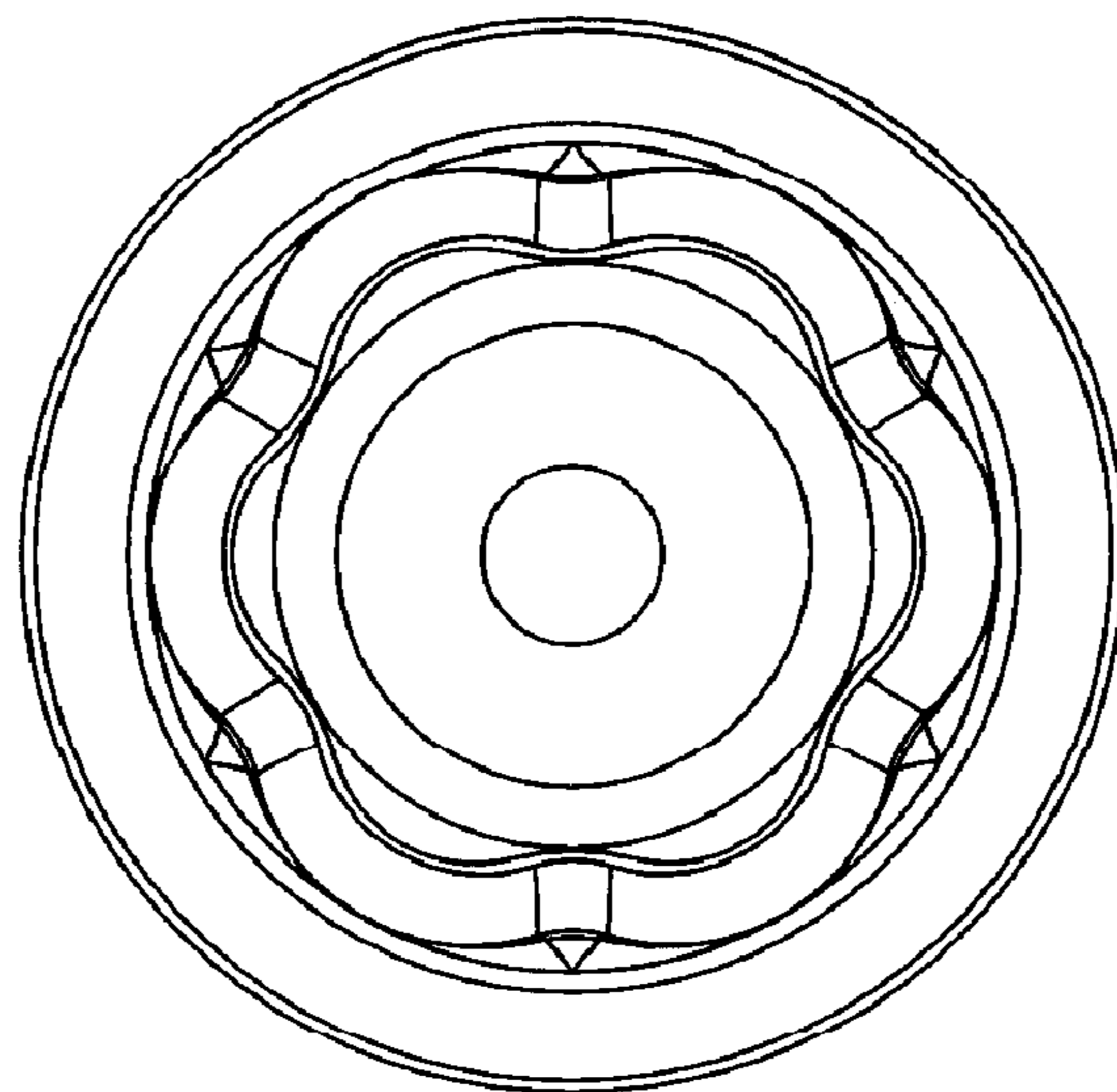


FIG. 5

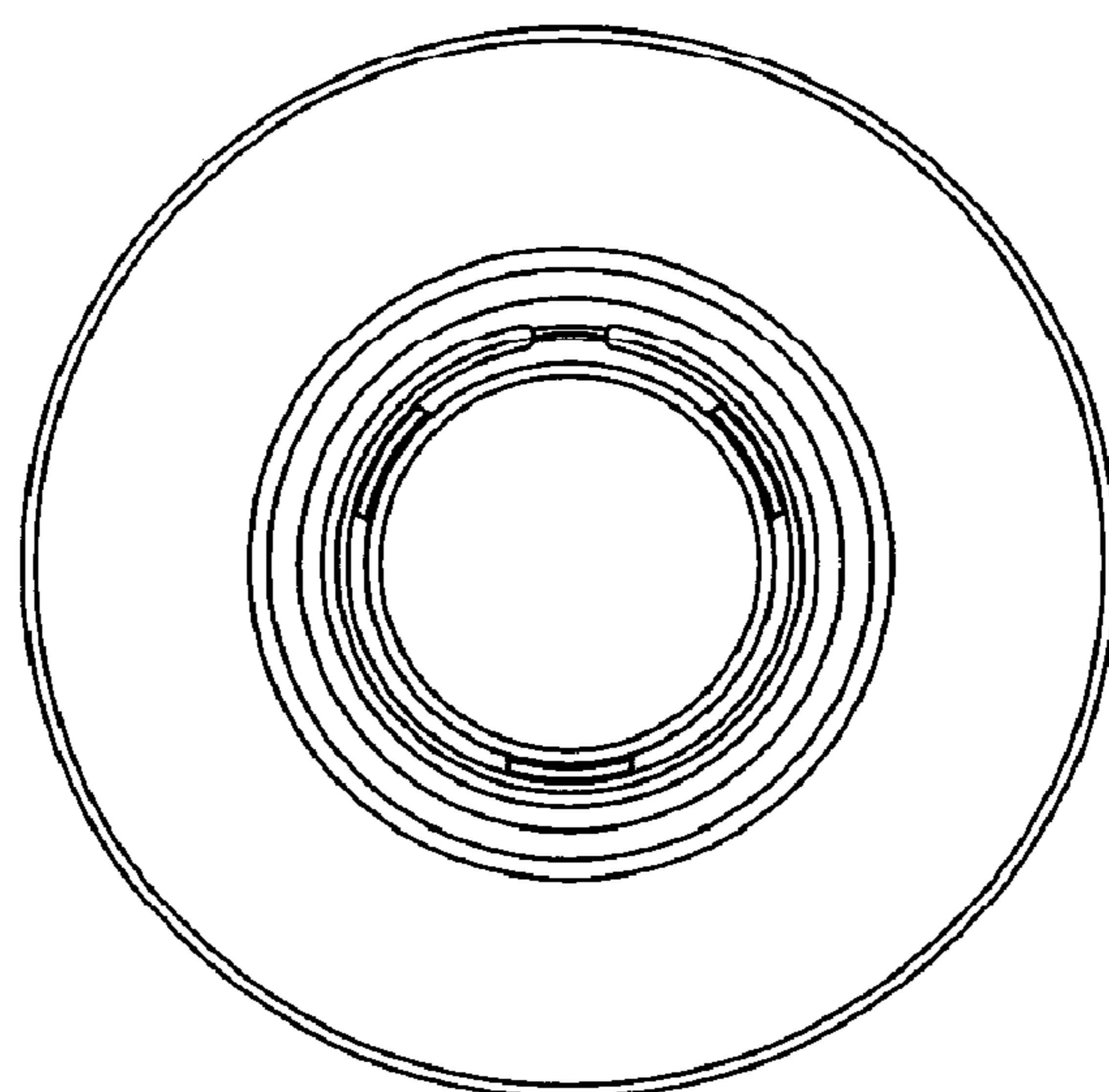


FIG. 6